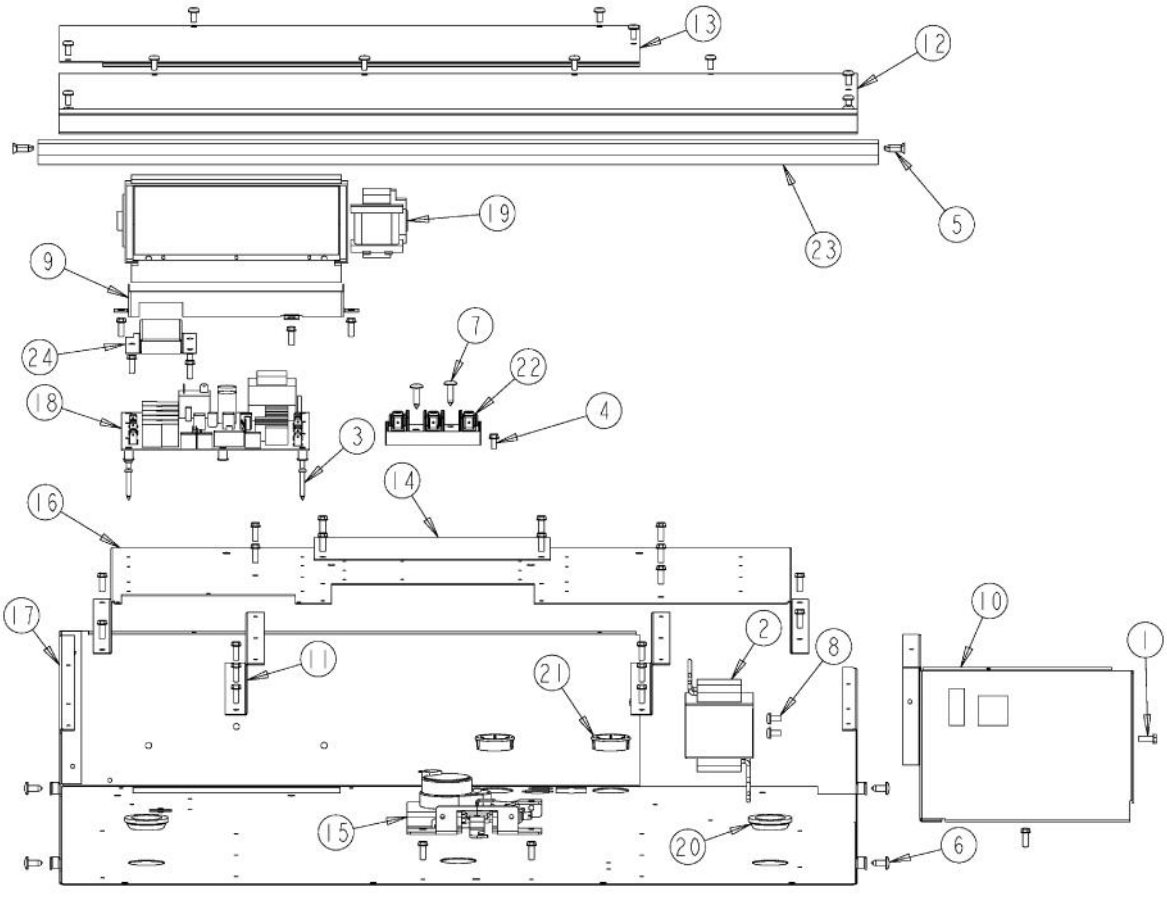
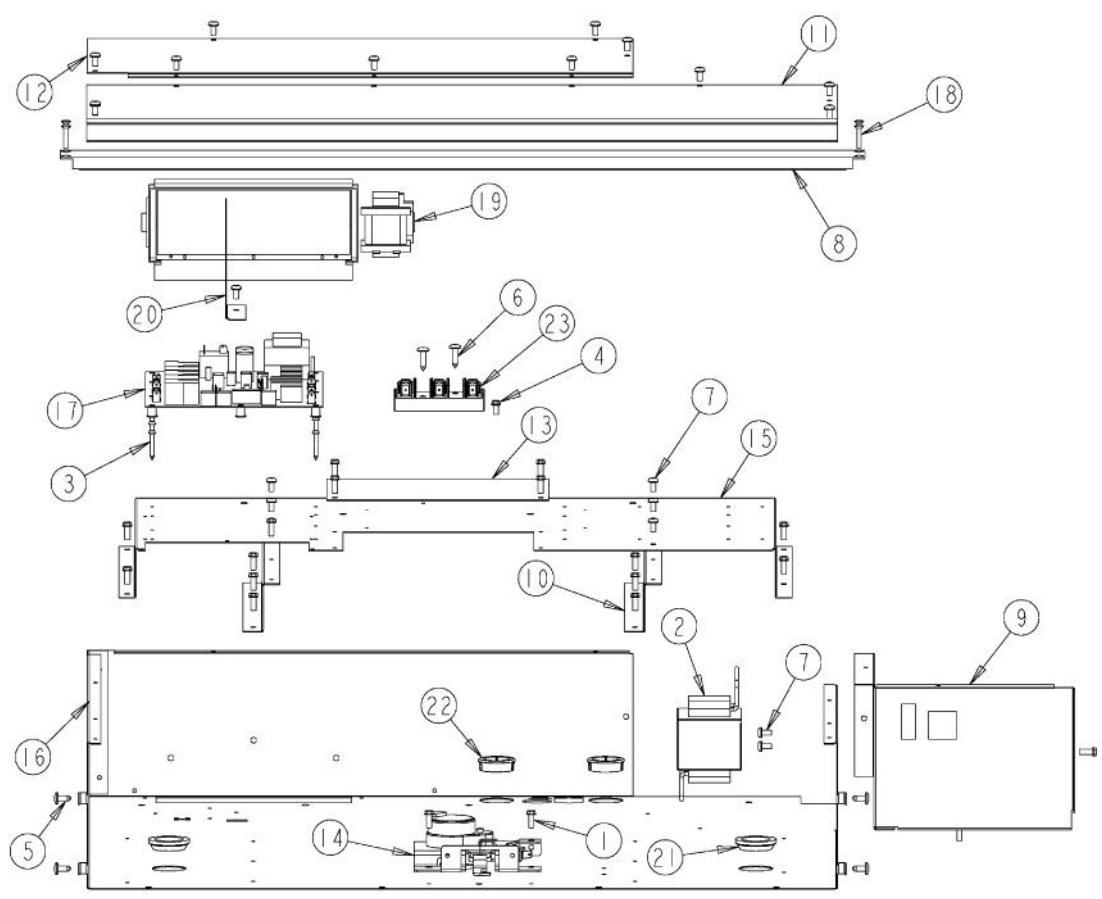


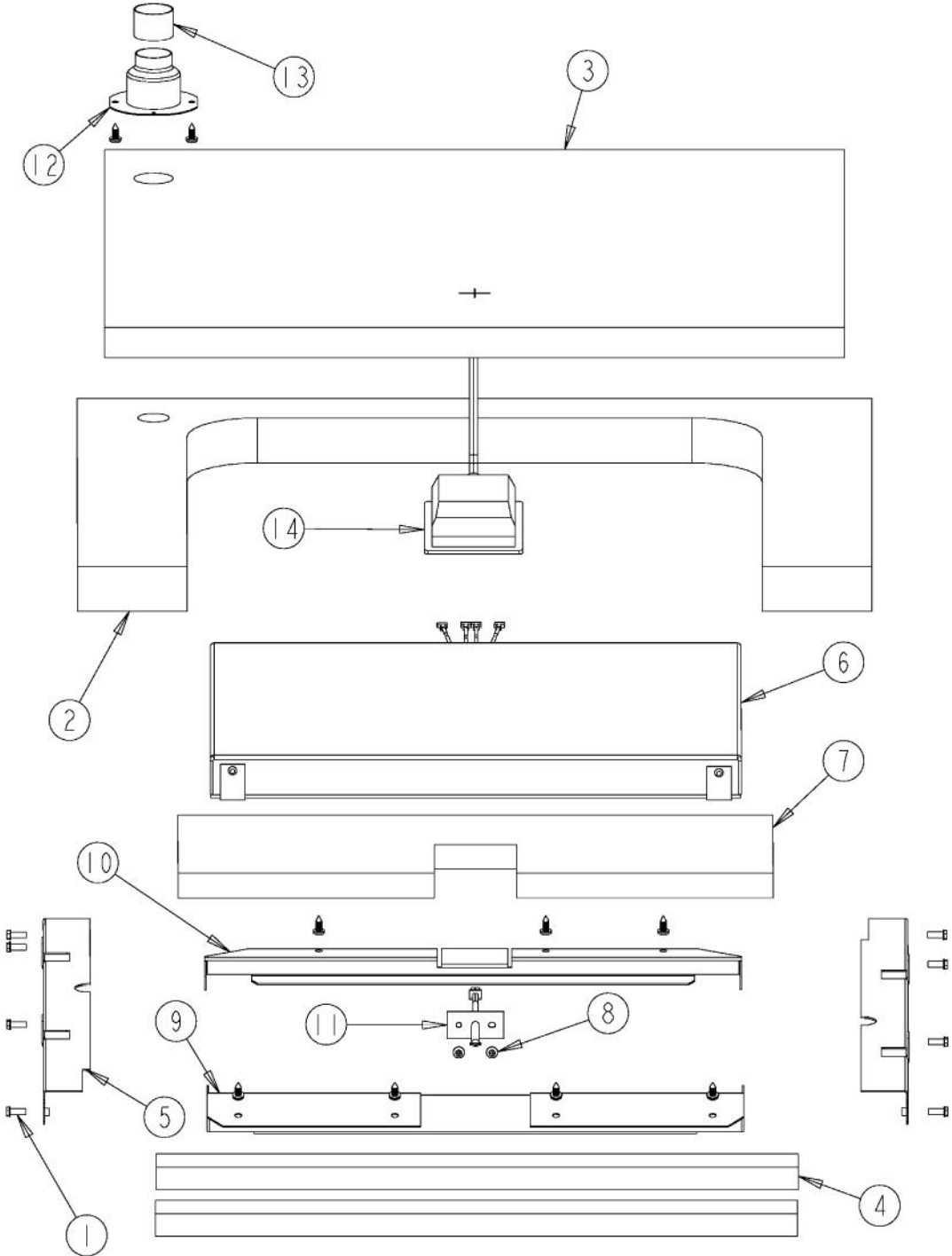
Ref #	Part Number	Qty.	Description
1	A20014063		CLOCK BRACKET
2	B92014069		30 PROF. PREMIERE CONTROL PNL.
	C92014069BK		30 PROF. PREMIERE CONTROL PNL. XBKX
	C92014069WH		30 PROF. PREMIERE CONTROL PNL. XWHX
3	PD020261		NO.8-32X1/2 PH PANHEAD MACH. SCREW
4	PE050208		DOOR SWITCH
5	PE050247		EBM FAN MOTOR CAPACITOR
6	G50015481		PRO HI-LIMIT SERVICE KIT (BEFORE 07-17-06)
	PJ030043		BI-METAL THERMOSTAT (N.C.) 180 DEGREES (AFTER 07-17-06)
7	A10014028		2 CAPACITOR BRACKET
8	PD020060		10 X 1/2 (5/16)HEX WSHER HD.(T)A
9	PD020004		10X3/8PH.HD.TYPE 25 REPL PD040125
10	PE050214		CLOCK (DIGITAL 230V 50/60HZ)
11	A20014062		30 CONTROL MTG PANEL
12	PD040164		5/16 INTERNAL TOOTH LOCK WASHER TYPE A
13	PB010306		PROF. CLOCK BUTTON
	PB010310		PROF. CLOCK BUTTON XWHX
14	PE050076		DESIGNER OVEN LIGHT SWITCH
15	A20012649		DOOR SWITCH BRACKET
16	PB010307		PROF. CLOCK KNOB
	PB010311		PROF. CLOCK KNOB XWHX
17	PD040004		GROMMET BUMPER
18	PE050072		LENS OPENING (250 VOLT)
19	C90014072BK		30 INLET GRILL
20	PE050023		OVEN IND. LIGHT (LENS & BEZEL)
21	PB010308		PROF. OVEN LIGHT BUTTON
	PB010312		PROF. OVEN LIGHT BUTTON XWHX
22	PD030172		M8 X 1.25MM NUT
23	PB010305		PROF. SELECTOR/THERMOSTAT KNOB
	PB010309		PROF. SELECTOR/THERMOSTAT KNOB XWHX
24	PB010304		KNOB BEZEL
	PB010304PVD		RESTYLE KNOB BEZEL, BR
25	PD020013		TYPE AB NO.6 X 3/8 PH PAN HD. SMS
26	PJ030033		SELECTOR (10 POS)
27	PJ030035		THERMOSTAT



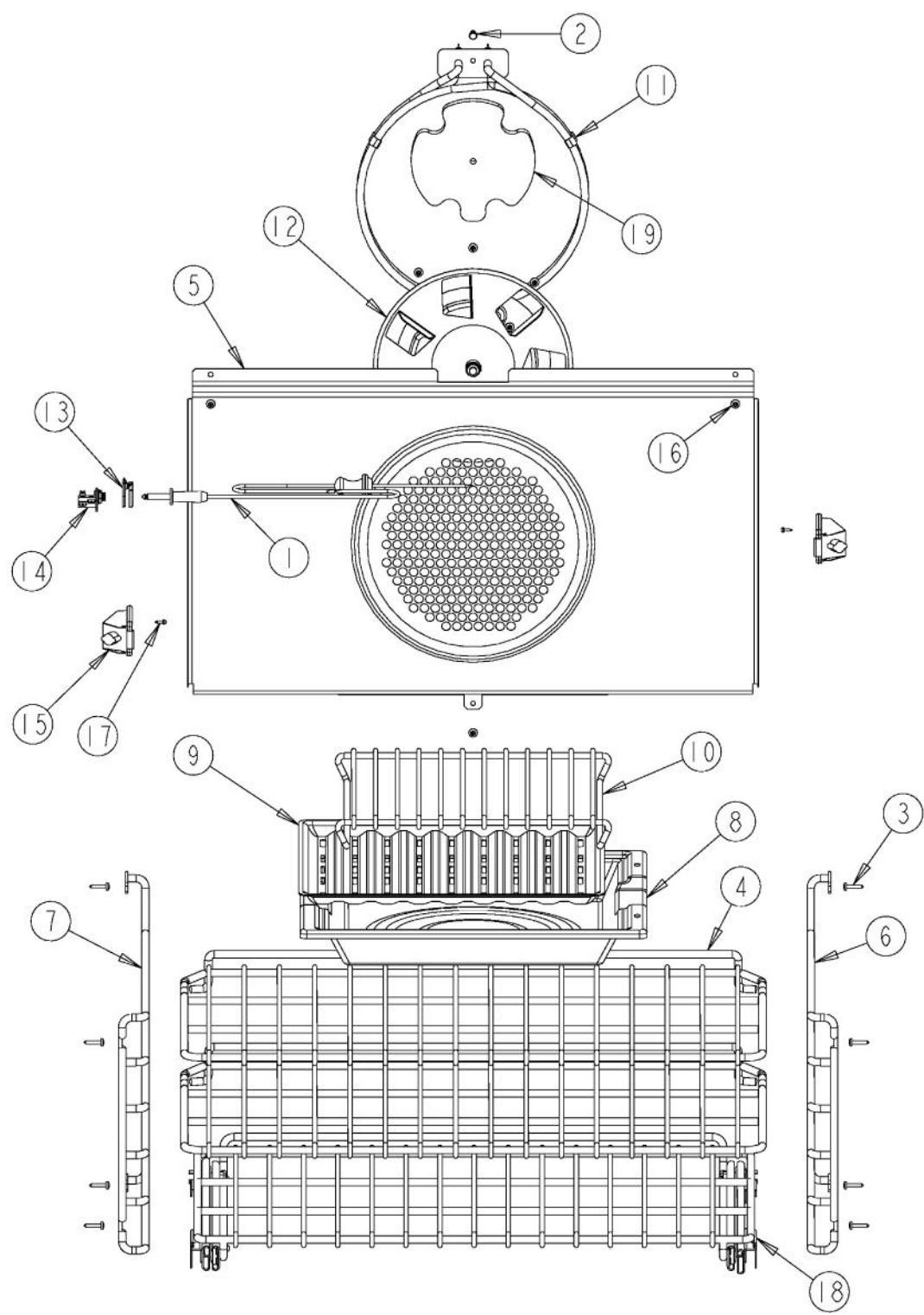
Ref #	Part Number	Qty.	Description
1	PD020060		10 X 1/2 (5/16)HEX WSHR HD.(T)A
2	PE070634		HALOGEN LIGHT TRANSFORMER
3	PD020185		NO.6 X 1 PAN HEAD SCREW
4	PD020010		10 X 3/8 GREEN GROUNDING SCREW
5	PD020061		NO.8 X 3/4 FLAT HD TEK. SS.
6	PD020002		10 X 1/2 PH.TR.HD.SMS.
7	PD020014		10X3/4 PH TR HD SMS
8	PD020004		10X3/8PH.HD.TYPE 25 REPL PD040125
9	A20014034		30 BLOWER BRACKET
10	A20010934		BRACKET, MODULE PAN
11	A20010910		BRACKET, SUPPORT, ELECTRONICS HAT
12	A20014048		30 FRONT COVER
13	A20014049		30 REAR COVER
14	A10010911		COVER, LATCH
15	PE050210		DOOR LATCH
16	A2009672		ELECTRONICS HAT
17	A2009643		MODULE PAN, TOP 30
18	PE070631		CONTROL BOARD
19	PE050250		PREMIUM BLOWER WITH HES
20	PB070079		SILICONE EXTRUSION (DGSU)
21	PD040152		SNAP BUSHING
22	PE070147		TERMINAL BLOCK
23	PE040273		30 PROF. TOP TRIM
24	A20014033		UPPER VENT COVER



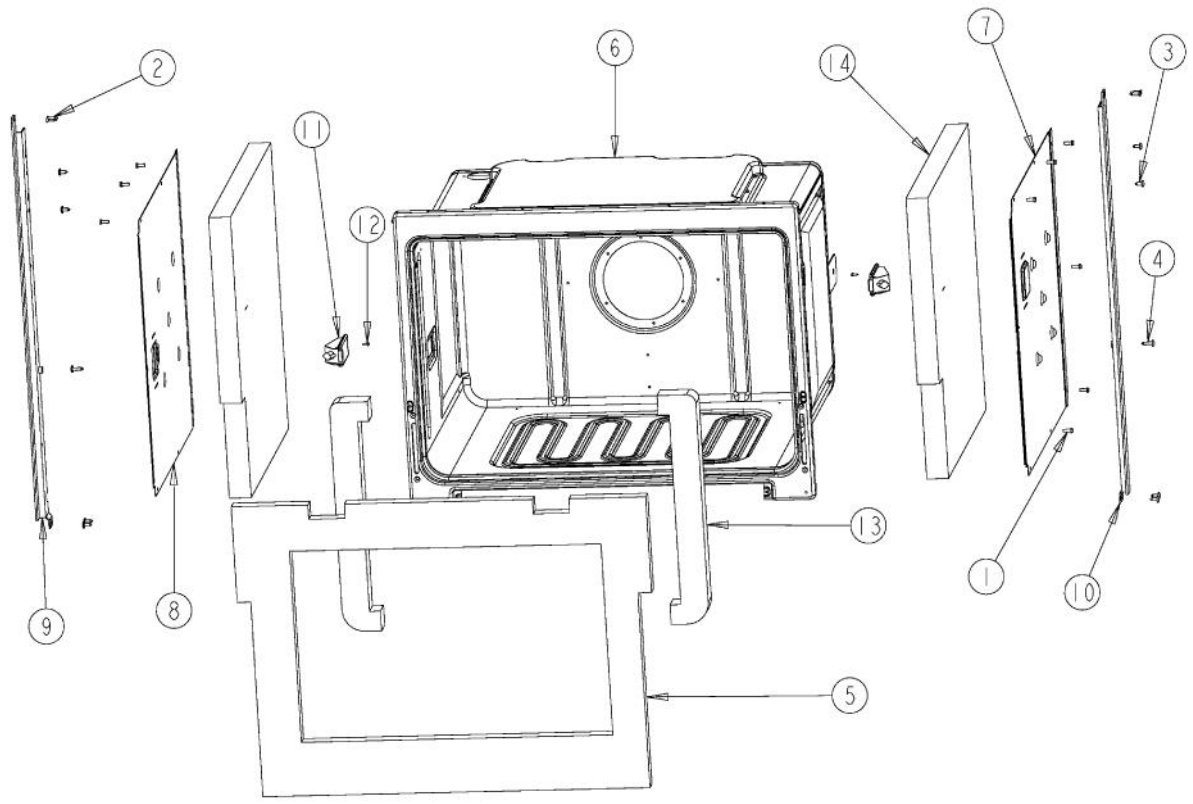
Ref #	Part Number	Qty.	Description
1	PD020060		10 X 1/2 (5/16)HEX WSHR HD.(T)A
2	PE070634		HALOGEN LIGHT TRANSFORMER (USED ONLY ON UNITS BEFORE SERIAL NO. C-0396)
3	PD020185		NO.6 X 1 PAN HEAD SCREW
4	PD020010		10 X 3/8 GREEN GROUNDING SCREW
5	PD020002		10 X 1/2 PH.TR.HD.SMS.
6	PD010014		MACH. SCREW - NO.10-24 X 1-3/4 XSSX
7	PD020004		10X3/8PH.HD.TYPE 25 REPL PD040125
8	PE040273		30 PROF. TOP TRIM
9	A20010934		BRACKET, MODULE PAN
10	A20010910		BRACKET, SUPPORT, ELECTRONICS HAT
11	A20014048		30 FRONT COVER
12	A20014049		30 REAR COVER
13	A10010911		COVER, LATCH
14	PE050210		DOOR LATCH
15	A2009672		ELECTRONICS HAT
16	A2009643		MODULE PAN, TOP 30
17	PE070631		CONTROL BOARD
18	PD020170		NO.6-32 X 1/2 PHILLIPS C.S. TYPE F SCREW
19	PE050250		PREMIUM BLOWER WITH HES BEFORE 2/4/2013
19	018607-000		FAN,BLO, 220-240V 50/60HZ ASSY AFTER 2/4/2013
20	A2009667		REAR AIR DIVIDER
21	PB070079		SILICONE EXTRUSION (DGSU)
22	PD040152		SNAP BUSHING
23	PE070147		TERMINAL BLOCK



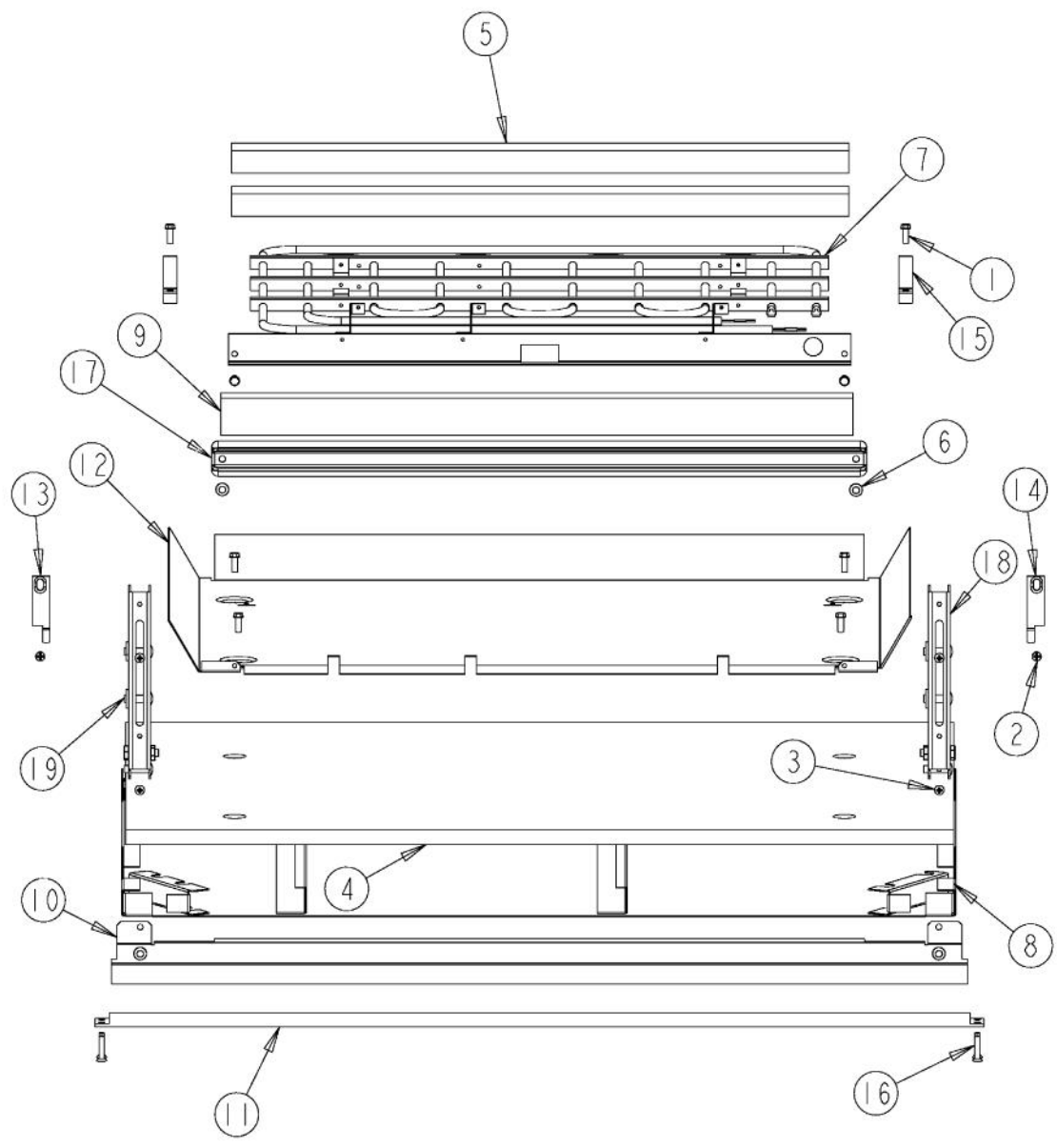
Ref #	Part Number	Qty.	Description
1	PD020060		10 X 1/2 (5/16)HEX WSHER HD.(T)A
2	PB070305		30 TOP BROIL INSULATION
3	PB070308		30 TOP INSULATION
4	PB070269		30 WINDOW PACK INSULATION
5	A2009641		BRKT, TOP WRAPPER
6	PJ010050		SEALED BROIL ELEMENT W/GLASS
7	PB070337		LINER FRONT INSULATION
8	PD020055		NO.10 X 1/2 PAN PHIL. TEK. SS
9	B20014050		PREMIERE BROIL ELEMENT BRACKET FRONT
10	B20014051		PREMIERE BROIL ELEMENT BRACKET REAR
11	PE050206		RTD THERMOSTAT PROBE
12	PM010014		SMOKE ELIMINATOR (VDSC)
13	PB020275		VENT TUBE
14	PE050205		TOP HALOGEN LIGHT (BEFORE C-0396)
	PE050239		HALOGEN LAMP (AFTER C-0396)



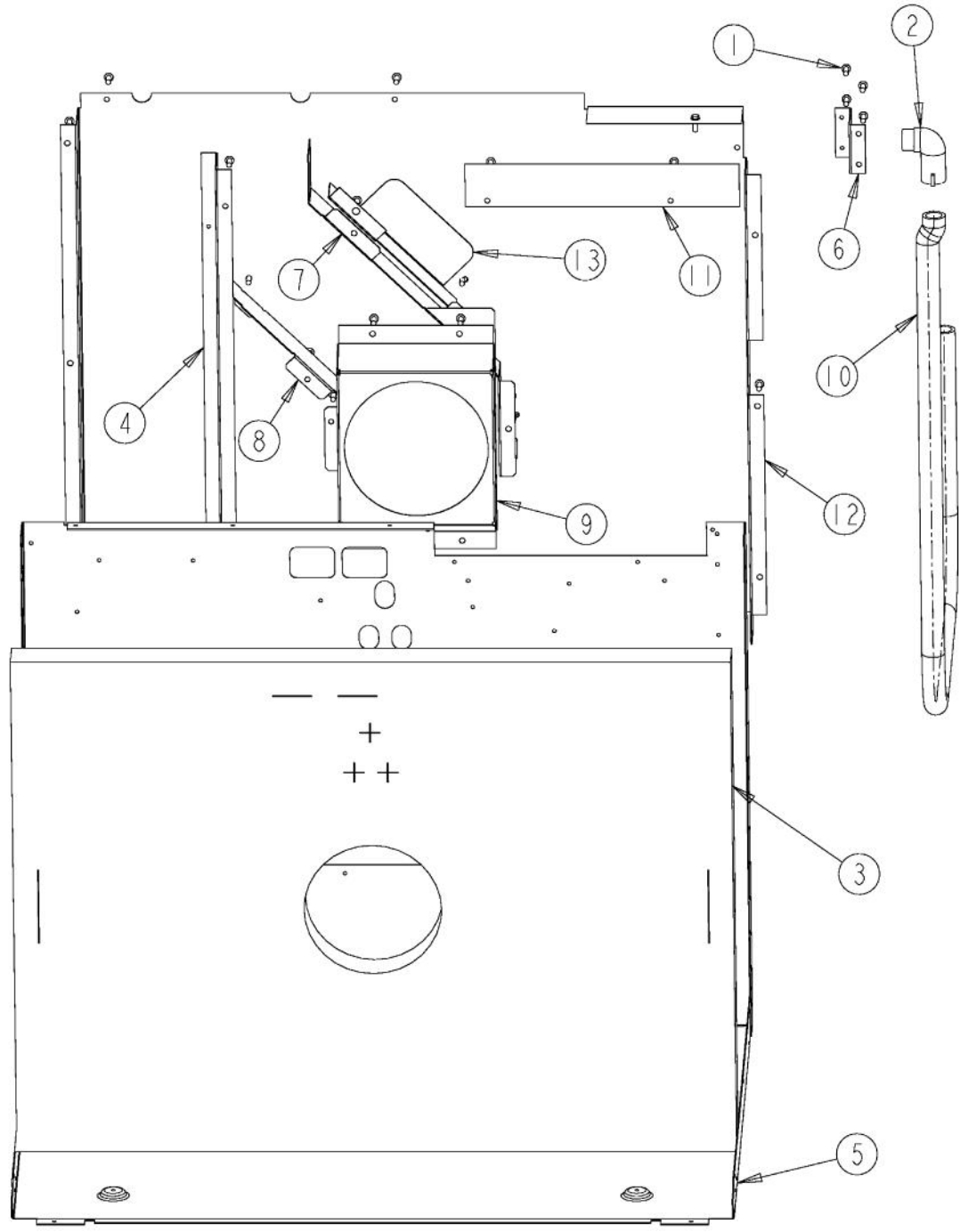
Ref #	Part Number	Qty.	Description
1	PE050114		MEAT PROBE (DESO/DEDO) (SWITCHCRAFT'S PART NO. 4...
2	PD020060		10 X 1/2 (5/16)HEX WSHR HD.(T)A
3	PD020232		NO.8 X 3/4 PH PAN HEAD TEK SCREW (BLACK OXIDE)
4	PB060107		30 OVEN RACK
5	G91013598		30 BAFFLE ASSEMBLY
6	PB060103		RACK SUPPORT RH
7	PB060104		RACK SUPPORT LH
8	E9107933		BROILER PAN
9	E9107934		BROILER PAN INSERT
10	PB080020		BROILER PAN RACK
11	PJ010047		CONVECTION ELEMENT
12	G32014020		CONVECTION FAN ASSY
13	PM010160		MEAT PROBE JACK COVER
14	PE050115		MEAT PROBE JACK
15	PE050056		OVEN LIGHT ASSY 12V/5W (BEFORE SERIAL NO. C-0396)
	PE050238		120 VOLT SIDE HALOGEN LIGHT (AFTER SERIAL NO. C-0396)
16	PD020055		NO.10 X 1/2 PAN PHIL. TEK. SS
17	PD020013		TYPE AB NO.6 X 3/8 PH PAN HD. SMS
18	PB060108		SLIDING RACK
19	PB070312		CONVECTION MOTOR MTG. PLATE INSULATION



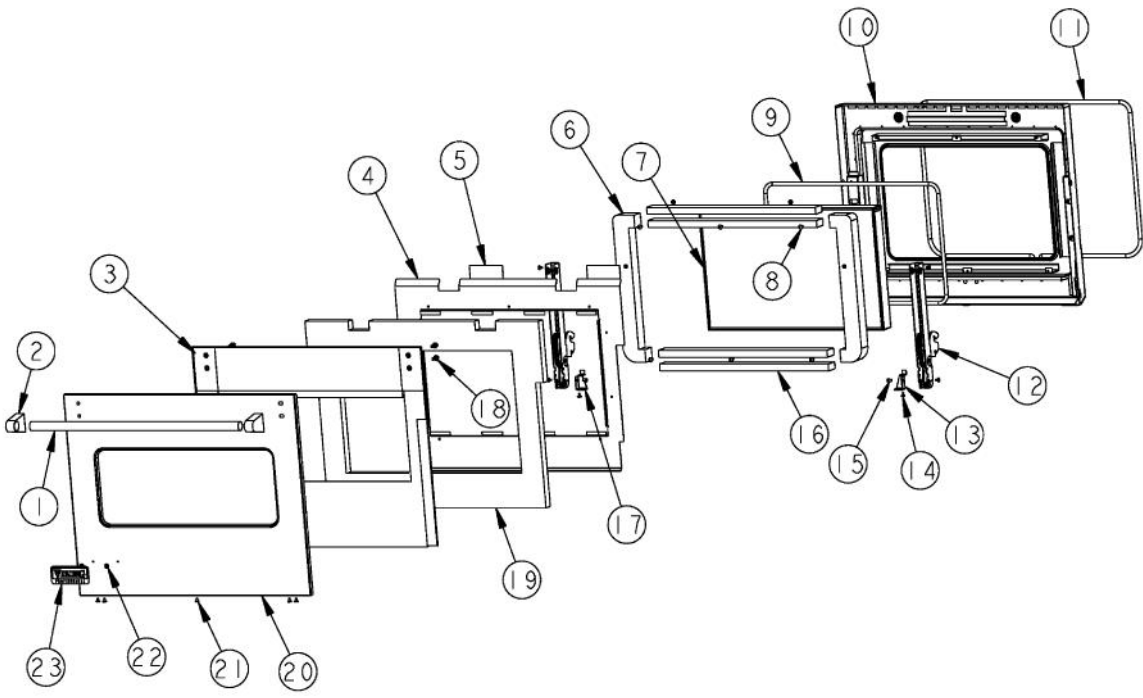
Ref #	Part Number	Qty.	Description
1	PD020060		10 X 1/2 (5/16)HEX WSHR HD.(T)A
2	PD020061		NO.8 X 3/4 FLAT HD TEK. SS.
3	PD020002		10 X 1/2 PH.TR.HD.SMS.
4	PD020014		10X3/4 PH TR HD SMS
5	PB070272		30 DOOR INSULATION
6	G91014039		30 PREMIERE CAVITY ASSY (NOT FIELD REPLACEABLE)
7	A2009622		BRKT, TOP WRAPPER, RIGHT
8	A20012650		BRKT, TOP WRAPPER LEFT
9	PE040282		DES. SINGLE SIDE TRIM LH
10	PE040281		DES. SINGLE SIDE TRIM RH
11	PE050056		OVEN LIGHT ASSY 12V/5W
12	PD020013		TYPE AB NO.6 X 3/8 PH PAN HD. SMS
13	PB070271		DOOR PLUG INSULATION
14	PB070302		SIDE INSULATION



Ref #	Part Number	Qty.	Description
1	PD020060		10 X 1/2 (5/16)HEX WSHR HD.(T)A
2	PD020061		NO.8 X 3/4 FLAT HD TEK. SS.
3	PD020062		NO.8-32 X 3/8 PHMS TYPE 1
4	PB070303		30 BOTTOM INSULATION
5	PB070269		30 WINDOW PACK INSULATION
6	PD020063		SCREW-NO.8(A) X 3/8PH WFR HD/BK OXID
7	PJ010048		BAKE ELEMENT
8	G3009694		BASE MODULE ASSY 30
9	PB070309		BAKE ELEMENT INSULATION
10	C90012831BK		BOTTOM AIR DEFLECTOR 30
11	PE040274		30 PROF. BOTTOM TRIM
12	A2009612		ELEMENT, MTG TRAY
13	B21010916		HINGE CLIP ? LH
14	B21001915		HINGE CLIP - RH
15	A2009696		HOLDER, BAKE ELEMENT
16	PD020170		NO.6-32 X 1/2 PHILLIPS C.S. TYPE F SCREW
17	E2109655		COVER, BAKE TRAY
18	PC020221		HINGE POCKET RECEIVER MANSFIELD RH
19	PC020247		HINGE POCKET RECEIVER MANSFIELD LH

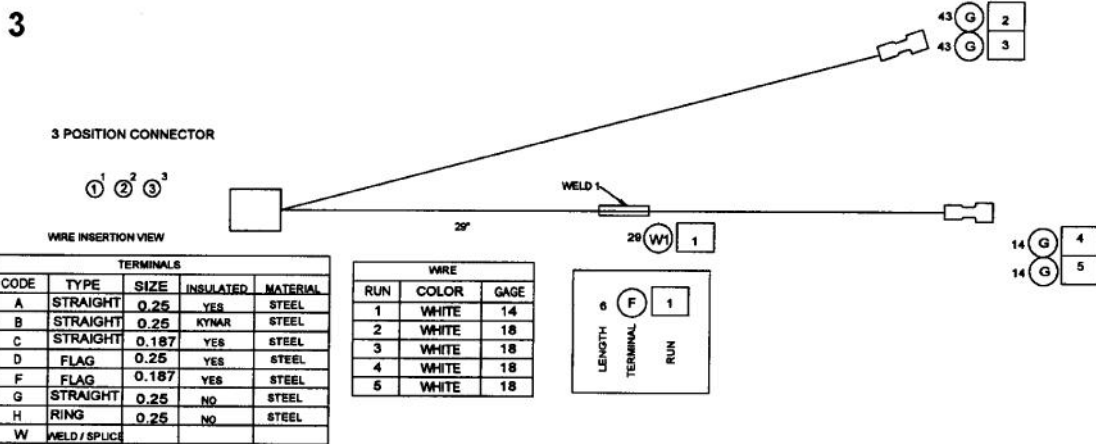
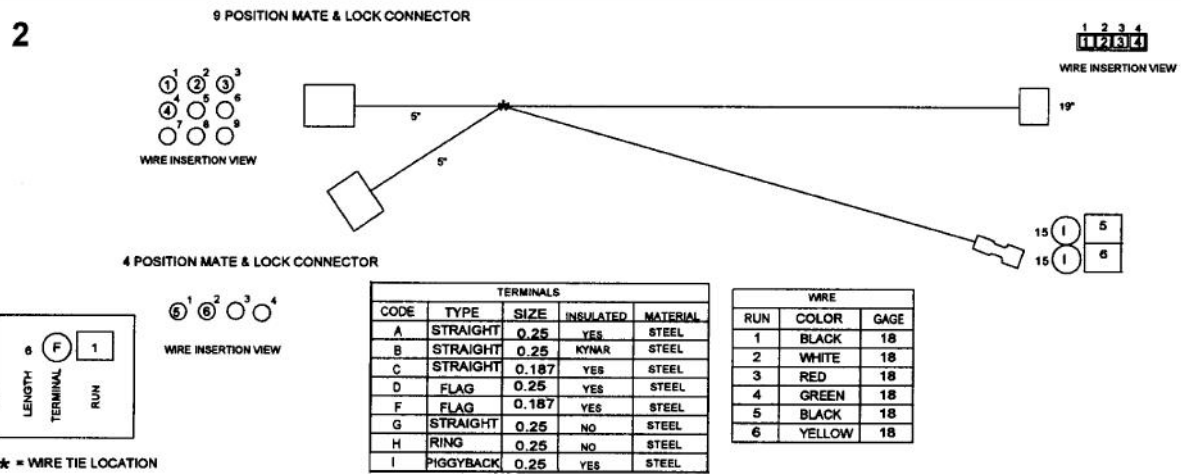
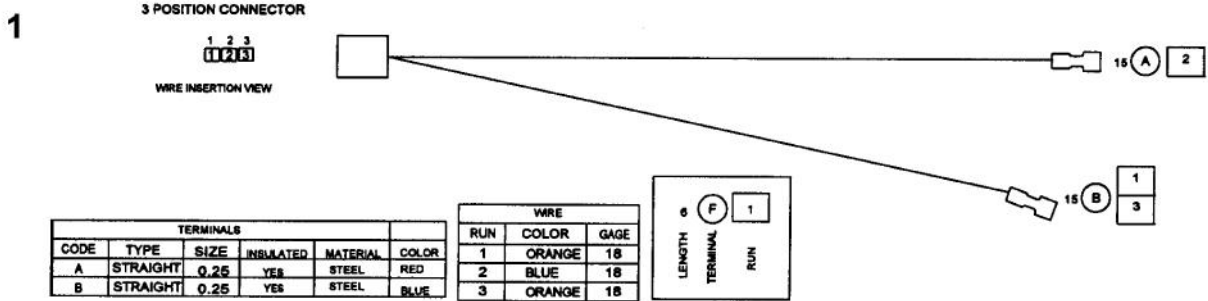


Ref #	Part Number	Qty.	Description
1	PD020060		10 X 1/2 (5/16)HEX WSHER HD.(T)A
2	PB040070		CONDUIT FITTING (90 DEG)
3	PB070304		30 BACK INSULATION
4	A2009666		AIR CHANNEL
5	A2009620		BASE, BACK WRAPPER
6	A2009671		BRACKET, POWER CABLE
7	A21010918		BRACKET, AIR, CONVECTION MOTOR
8	A21010919		BRACKET, AIR, CONVECTION MOTOR
9	A2009697		BRACKET, CONVECTION INSULATION
10	PB020071		CONDUIT - FLEXIBLE (48)
11	A10010907		COVER, BLOWER
12	A2009640		PANEL, REAR 30
13	A20014052		WIRE SHIELD



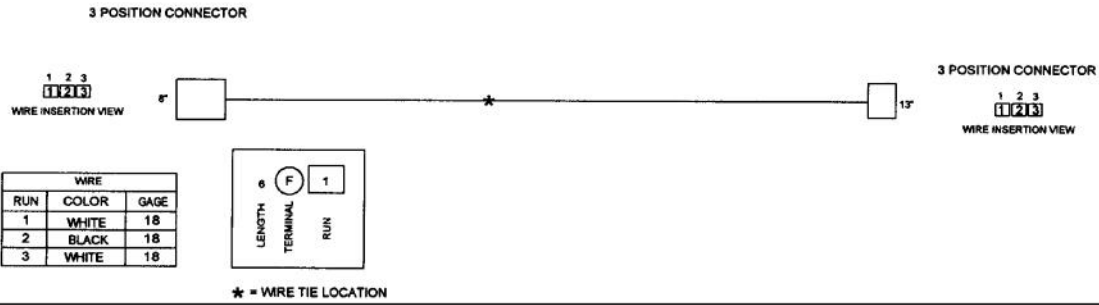
Ref #	Part Number	Qty.	Description
1	PE030179		30 PROF. DOOR HANDLE
	PE030179PVD		30 PROF. DOOR HANDLE XPV DX 24.907
2	PE030001		BRACKET, DOOR, HANDLE
	PE030001PVD		END CAP DOOR HANDLE XBR
3	001499-000		PRO 30`` INSULATION RETAINER KIT (AFTER 7-17-06)
	001500-000		PRO 30`` INSULATION RETAINER KIT (BEFORE 7-17-06)
4	A2009632		PANEL, INULATION, INNER DOOR
5	PB070336		DOOR BRACKET INSULATION
6	PB070271		DOOR PLUG INSULATION
7	PE060094		30 WINDOW PACK
8	PD020002		10 X 1/2 PH.TR.HD.SMS.
9	000594-000		BLACK FIBERGLASS ROPE 3/8
10	G9109625		DOOR LINER PORC.
11	PB070246		30 DOOR GASKET
12	PC020220		SUB TO 006070-000 - DOOR HINGE MANSFIELD 30
13	A20012640		HINGE SUPPORT RH
14	PD020063		SCREW-NO.8(A) X 3/8PH WFR HD/BK OXID
15	PD020004		10X3/8PH.HD.TYPE 25 REPL PD040125
16	PB070269		30 WINDOW PACK INSULATION
17	A20012641		HINGE SUPPORT LH
18	PD020186		1/4-20 X 3/4 HEX WASHER HEAD MS
19	PB020272		304SS 3/4 X .035 TUBING
20	PS500015AL		30 PRO DOOR SKIN SVC KIT W/LOGO AFTER 07/17/06 - AL
	PS500015ALBR		30 PRO DOOR SKIN SVC KIT W/LOGO AFTER 07/17/06 - AL/B...
	PS500015BK		30 PRO DOOR SKIN SVC KIT W/LOGO AFTER 07/17/06 -BK
	PS500015BKBR		30 PRO DOOR SKIN SVC KIT W/LOGO AFTER 07/17/06 -BK/BR
	PS500015BT		30 PRO DOOR SKIN SVC KIT W/LOGO AFTER 07/17/06 - BT
	PS500015BTBR		30 PRO DOOR SKIN SVC KIT W/LOGO AFTER 07/17/06 -BTBR
	PS500015BU		30 PRO DOOR SKIN SVC KIT W/LOGO AFTER 07/17/06 -BU
	PS500015BUBR		30 PRO DOOR SKIN SVC KIT W/LOGO AFTER 07/17/06 - BU/...
	PS500015CB		30 PRO DOOR SKIN SVC KIT W/LOGO AFTER 07/17/06 - CB
	PS500015CBBR		30 PRO DOOR SKIN SVC KIT W/LOGO AFTER 07/17/06 - CB/...
	PS500015EP		30 PRO DOOR SKIN SVC KIT W/LOGO AFTER 07/17/06 - EP
	PS500015EPBR		30 PRO DOOR SKIN SVC KIT W/LOGO AFTER 07/17/06 - EP/B...
	PS500015FG		30 PRO DOOR SKIN SVC KIT W/LOGO AFTER 07/17/06 - FG
	PS500015FGBR		30 PRO DOOR SKIN SVC KIT W/LOGO AFTER 07/17/06 - FG/...
	PS500015GG		30 PRO DOOR SKIN SVC KIT W/LOGO AFTER 07/17/06 -GG
	PS500015GGBR		30 PRO DOOR SKIN SVC KIT W/LOGO AFTER 07/17/06 -GG/B...
	PS500015LE		30 PRO DOOR SKIN SVC KIT W/LOGO AFTER 07/17/06 - LE
	PS500015LEBR		30 PRO DOOR SKIN SVC KIT W/LOGO AFTER 07/17/06 - LE/B...
	PS500015MJ		30 PRO DOOR SKIN SVC KIT W/LOGO AFTER 07/17/06 - MJ
	PS500015MJBR		30 PRO DOOR SKIN SVC KIT W/LOGO AFTER 07/17/06 - MJ/B...
	PS500015SG		30 PRO DOOR SKIN SVC KIT W/LOGO AFTER 07/17/06 - SG
	PS500015SGBR		30 PRO DOOR SKIN SVC KIT W/LOGO AFTER 07/17/06 -SGBR
	PS500015SS		30 PRO DOOR SKIN SVC KIT W/LOGO AFTER 07/17/06 -SS
	PS500015SSBR		30 PRO DOOR SKIN SVC KIT W/LOGO AFTER 07/17/06 - SS/B...
	PS500015VB		30 PRO DOOR SKIN SVC KIT W/LOGO AFTER 07/17/06 - VB
	PS500015VBBR		30 PRO DOOR SKIN SVC KIT W/LOGO AFTER 07/17/06 -VBBR
	PS500015WH		30 PRO DOOR SKIN SVC KIT W/LOGO AFTER 07/17/06 - WH
	PS500015WHBR		30 PRO DOOR SKIN SVC KIT W/LOGO AFTER 07/17/06 - WH/...
	PS500019AL		30 PRO DOOR SKIN SERVICE KIT W/LOGO BEFORE 07/17/0...
	PS500019ALBR		30 PRO DOOR SKIN SERVICE KIT W/LOGO BEFORE 07/17/0...
	PS500019BK		30 PRO DOOR SKIN SERVICE KIT W/LOGO BEFORE 07/17/0...
	PS500019BKBR		30 PRO DOOR SKIN SERVICE KIT W/LOGO BEFORE 07/17/0...
	PS500019BT		30 PRO DOOR SKIN SERVICE KIT W/LOGO BEFORE 07/17/0...
	PS500019BTBR		30 PRO DOOR SKIN SERVICE KIT W/LOGO BEFORE 07/17/0...
	PS500019BU		30 PRO DOOR SKIN SERVICE KIT W/LOGO BEFORE 07/17/0...
	PS500019BUBR		30 PRO DOOR SKIN SERVICE KIT W/LOGO BEFORE 07/17/0...
	PS500019CB		30 PRO DOOR SKIN SERVICE KIT W/LOGO BEFORE 07/17/0...
	PS500019CBBR		30 PRO DOOR SKIN SERVICE KIT W/LOGO BEFORE 07/17/0...

Ref #	Part Number	Qty.	Description
	PS500019CBBR		30 PRO DOOR SKIN SERVICE KIT W/LOGO BEFORE 07/17/0...
	PS500019EP		30 PRO DOOR SKIN SERVICE KIT W/LOGO BEFORE 07/17/0...
	PS500019EPBR		30 PRO DOOR SKIN SERVICE KIT W/LOGO BEFORE 07/17/0...
	PS500019FG		30 PRO DOOR SKIN SERVICE KIT W/LOGO BEFORE 07/17/0...
	PS500019FGBR		30 PRO DOOR SKIN SERVICE KIT W/LOGO BEFORE 07/17/0...
	PS500019GG		30 PRO DOOR SKIN SERVICE KIT W/LOGO BEFORE 07/17/0...
	PS500019GGBR		30 PRO DOOR SKIN SERVICE KIT W/LOGO BEFORE 07/17/0...
	PS500019LE		30 PRO DOOR SKIN SERVICE KIT W/LOGO BEFORE 07/17/0...
	PS500019LEBR		30 PRO DOOR SKIN SERVICE KIT W/LOGO BEFORE 07/17/0...
	PS500019MJ		30 PRO DOOR SKIN SERVICE KIT W/LOGO BEFORE 07/17/0...
	PS500019MJBR		30 PRO DOOR SKIN SERVICE KIT W/LOGO BEFORE 07/17/0...
	PS500019SG		30 PRO DOOR SKIN SERVICE KIT W/LOGO BEFORE 07/17/0...
	PS500019SGBR		30 PRO DOOR SKIN SERVICE KIT W/LOGO BEFORE 07/17/0...
	PS500019SS		30 PRO DOOR SKIN SERVICE KIT W/LOGO BEFORE 07/17/0...
	PS500019SSBR		30 PRO DOOR SKIN SERVICE KIT W/LOGO BEFORE 07/17/0...
	PS500019VB		30 PRO DOOR SKIN SERVICE KIT W/LOGO BEFORE 07/17/0...
	PS500019VBBR		30 PRO DOOR SKIN SERVICE KIT W/LOGO BEFORE 07/17/0...
	PS500019WH		30 PRO DOOR SKIN SERVICE KIT W/LOGO BEFORE 07/17/0...
	PS500019WHBR		30 PRO DOOR SKIN SERVICE KIT W/LOGO BEFORE 07/17/0...
21	PD020032		SRW-8(A)X3/8PH.WFR HD 7/16DIAAXNICL
22	PD030006		CAPPED WASHER PAL NUT
23	PE010016		NAMEPLATE, LOGO, PRO
	PE010017		LOGO (VGSO,VEDO,VGDO,VUD) XWH/CHR
	PE010079		4.5 LOGO/VIKING PROF, BK/BR
	PE010080		4.5 LOGO/VIKING PROF XWH/BR
NI	G32012723AL		30 DOOR ASSY W/LOGO XALX
	G32012723ALBR		30 DOOR ASSY W/LOGO XALBRX
	G32012723BK		30 DOOR ASSY W/LOGO XBKX
	G32012723BKBR		30 DOOR ASSY W/LOGO XBKBRX
	G32012723BT		30 DOOR ASSY W/LOGO XBTX
	G32012723BTBR		30 DOOR ASSY W/LOGO XBTBRX
	G32012723BU		30 DOOR ASSY W/LOGO XBUX
	G32012723BUBR		30 DOOR ASSY W/LOGO XBUBRX
	G32012723CB		30 DOOR ASSY W/LOGO XCBX
	G32012723CBBR		30 DOOR ASSY W/LOGO XCBBRX
	G32012723EP		30 DOOR ASSY W/LOGO XEPX
	G32012723EPBR		30 DOOR ASSY W/LOGO XEPBRX
	G32012723FG		30 DOOR ASSY W/LOGO XFGX
	G32012723FGBR		30 DOOR ASSY W/LOGO XFGBRX
	G32012723GG		30 DOOR ASSY W/LOGO XGGX
	G32012723GGBR		30 DOOR ASSY W/LOGO XGGBRX
	G32012723LE		30 DOOR ASSY W/LOGO XLEX
	G32012723LEBR		30 DOOR ASSY W/LOGO XLEBRX
	G32012723MJ		30 DOOR ASSY W/LOGO XMJX
	G32012723MJBR		30 DOOR ASSY W/LOGO XMJBRX
	G32012723SG		30 DOOR ASSY W/LOGO XSGX
	G32012723SGBR		30 DOOR ASSY W/LOGO XSGBRX
	G32012723SS		30 DOOR ASSY W/LOGO
	G32012723SSBR		30 DOOR ASSY W/LOGO XSSBRX
	G32012723VB		30 DOOR ASSY W/LOGO XVBX
	G32012723VBBR		30 DOOR ASSY W/LOGO XVBBRX
	G32012723WH		30 DOOR ASSY W/LOGO XWHX
	G32012723WHBR		30 DOOR ASSY W/LOGO XWHBRX

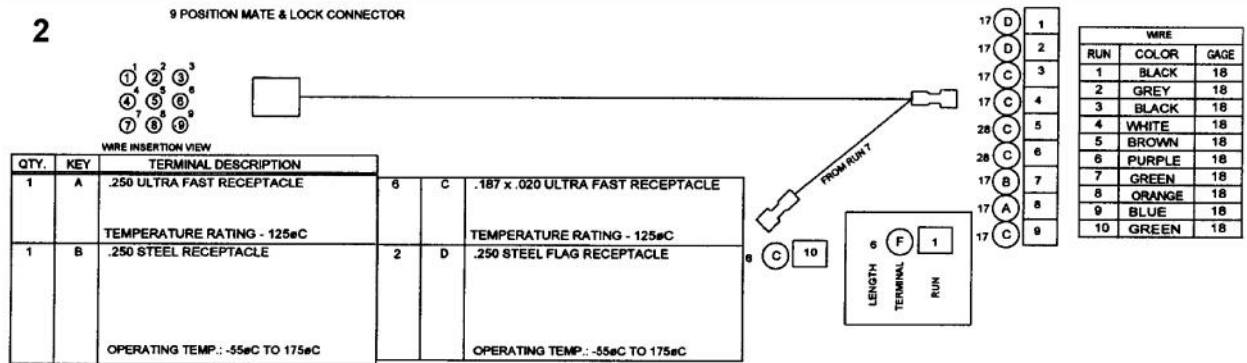


Ref #	Part Number	Qty.	Description
1	PE070743		SINGLE CLOCK HARNESS
2	PE070754		TEST HARNESS SINGLE
3	PE070739		BAKE ELEMENT HARNESS
NI	G4005496		SUPPLY WIRE - 100 BK 10GA SO/DO
NI	G4005497		SUPPLY WIRE - 100 GREEN 10GA SO/DO
NI	G4005499		SUPPLY WIRE - 100 RED 10GA SO/DO
NI	G4005494		SUPPLY WIRE - 75 WH 12 GA SO/DO

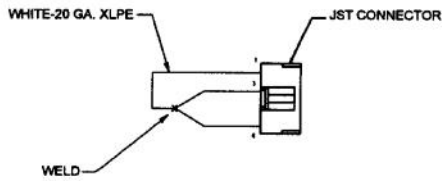
1



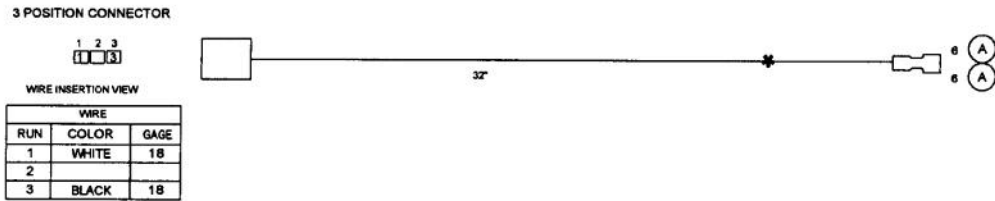
2



3

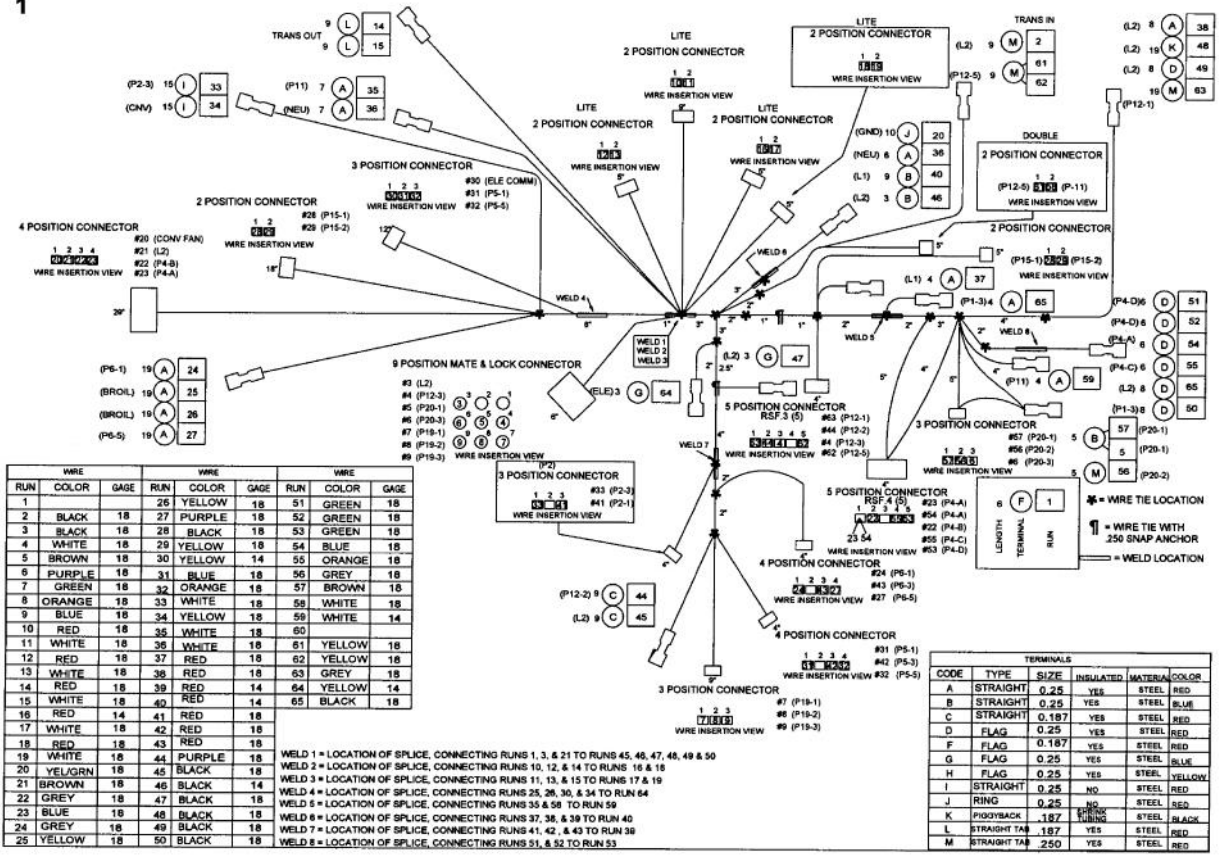


4



Ref #	Part Number	Qty.	Description
1	PE070738		T/STAT-SEL HARNESS
2	PE070733		UPPER LATCH HARNESS
3	PE070734		SINGLE OVEN HEADER
4	PE070735		MEAT PROBE HARNESS

1



WIRE RUN	COLOR	GAGE	WIRE RUN	COLOR	GAGE	WIRE RUN	COLOR	GAGE
1			26	YELLOW	18	51	GREEN	18
2	BLACK	18	27	PURPLE	18	52	GREEN	18
3	BLACK	18	28	BLACK	18	53	GREEN	18
4	WHITE	18	29	YELLOW	18	54	BLUE	18
5	BROWN	18	30	YELLOW	14	55	ORANGE	18
6	PURPLE	18	31	BLUE	18	56	GREY	18
7	GREEN	18	32	ORANGE	18	57	BROWN	18
8	ORANGE	18	33	WHITE	18	58	WHITE	18
9	BLUE	18	34	YELLOW	18	59	WHITE	14
10	RED	18	35	WHITE	18	60		
11	WHITE	18	36	WHITE	18	61	YELLOW	18
12	RED	18	37	RED	18	62	YELLOW	18
13	WHITE	18	38	RED	18	63	GREY	18
14	RED	18	39	RED	14	64	YELLOW	14
15	WHITE	18	40	RED	14	65	BLACK	18
16	RED	14	41	RED	18			
17	WHITE	18	42	RED	18			
18	RED	18	43	RED	18			
19	WHITE	18	44	PURPLE	18			
20	YELLOW	18	45	BLACK	18			
21	BROWN	18	46	BLACK	14			
22	GREY	18	47	BLACK	18			
23	BLUE	18	48	BLACK	18			
24	GREY	18	49	BLACK	18			
25	YELLOW	18	50	BLACK	18			

WELD 1 = LOCATION OF SPLICE, CONNECTING RUNS 1, 3, & 21 TO RUNS 45, 46, 47, 48, 49 & 50
 WELD 2 = LOCATION OF SPLICE, CONNECTING RUNS 10, 12, & 14 TO RUNS 18 & 19
 WELD 3 = LOCATION OF SPLICE, CONNECTING RUNS 11, 13, & 15 TO RUNS 17 & 19
 WELD 4 = LOCATION OF SPLICE, CONNECTING RUNS 25, 26, 30, & 34 TO RUN 64
 WELD 5 = LOCATION OF SPLICE, CONNECTING RUNS 35 & 58 TO RUN 59
 WELD 6 = LOCATION OF SPLICE, CONNECTING RUNS 37, 38, & 39 TO RUN 40
 WELD 7 = LOCATION OF SPLICE, CONNECTING RUNS 41, 42, & 43 TO RUN 38
 WELD 8 = LOCATION OF SPLICE, CONNECTING RUNS 51, & 52 TO RUN 53

CODE	TYPE	SIZE	INSULATED	MATERIAL	COLOR
A	STRAIGHT	0.25	YES	STEEL	RED
B	STRAIGHT	0.25	YES	STEEL	BLUE
C	STRAIGHT	0.187	YES	STEEL	RED
D	FLAG	0.25	YES	STEEL	RED
F	FLAG	0.187	YES	STEEL	RED
G	FLAG	0.25	YES	STEEL	BLUE
H	FLAG	0.25	YES	STEEL	YELLOW
I	STRAIGHT	0.25	NO	STEEL	RED
J	RING	0.25	NO	STEEL	RED
K	PIEDBACK	.187	NO	STEEL	BLACK
L	STRAIGHT TAB	.187	YES	STEEL	RED
M	STRAIGHT TAB	.250	YES	STEEL	RED

Ref #	Part Number	Qty.	Description
1	PE070742		UPPER CONTROL HARNESS