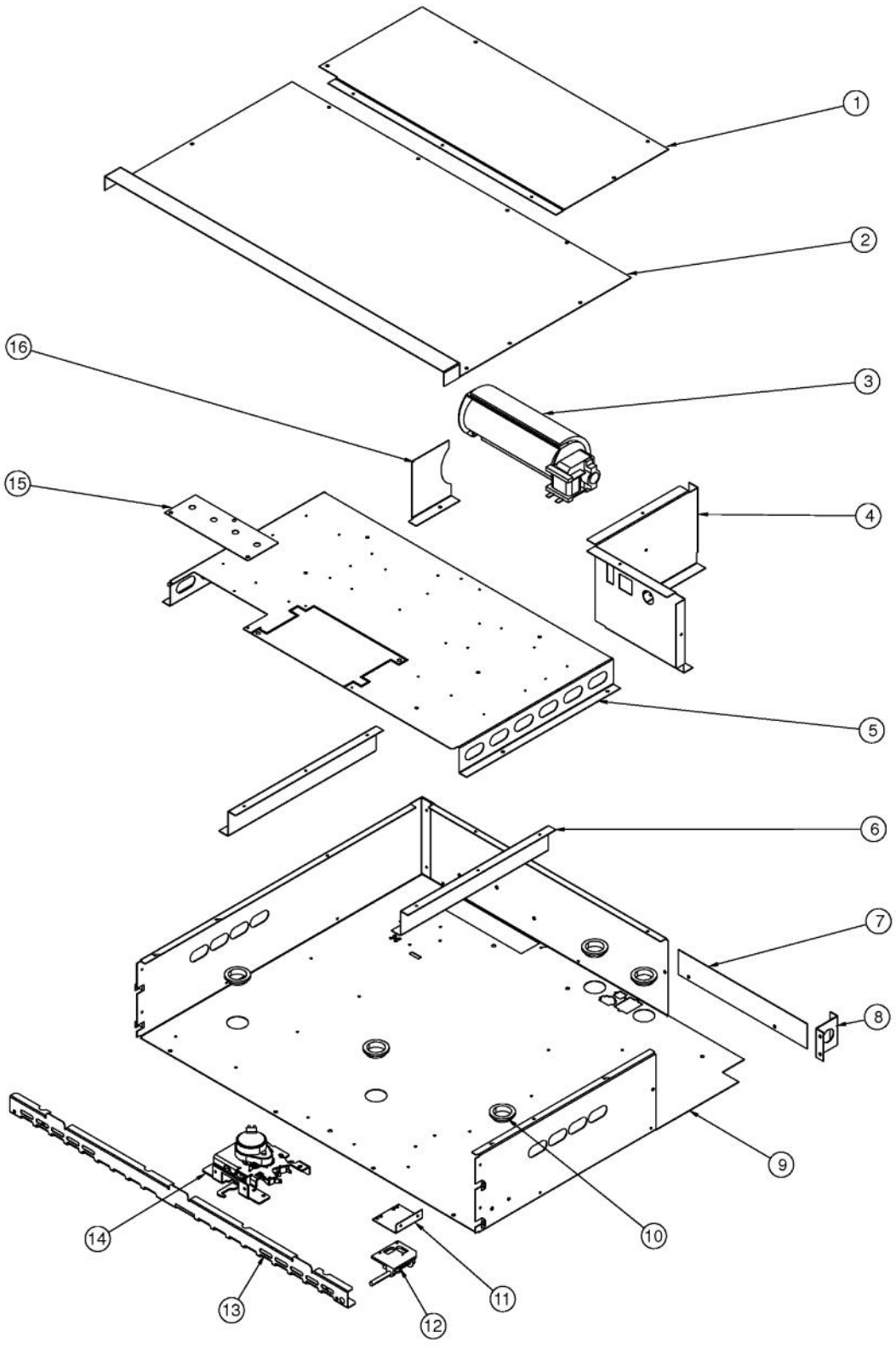
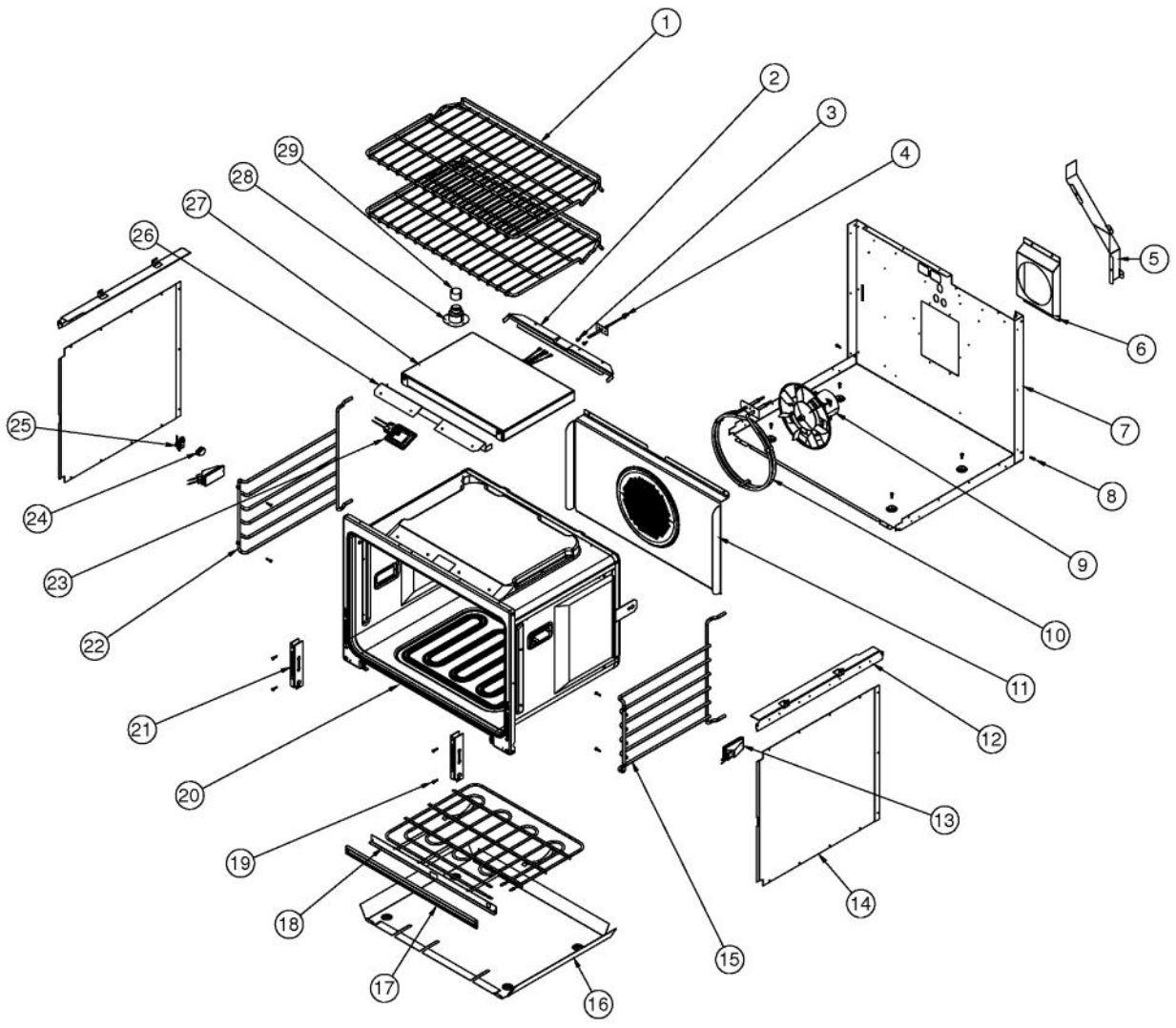


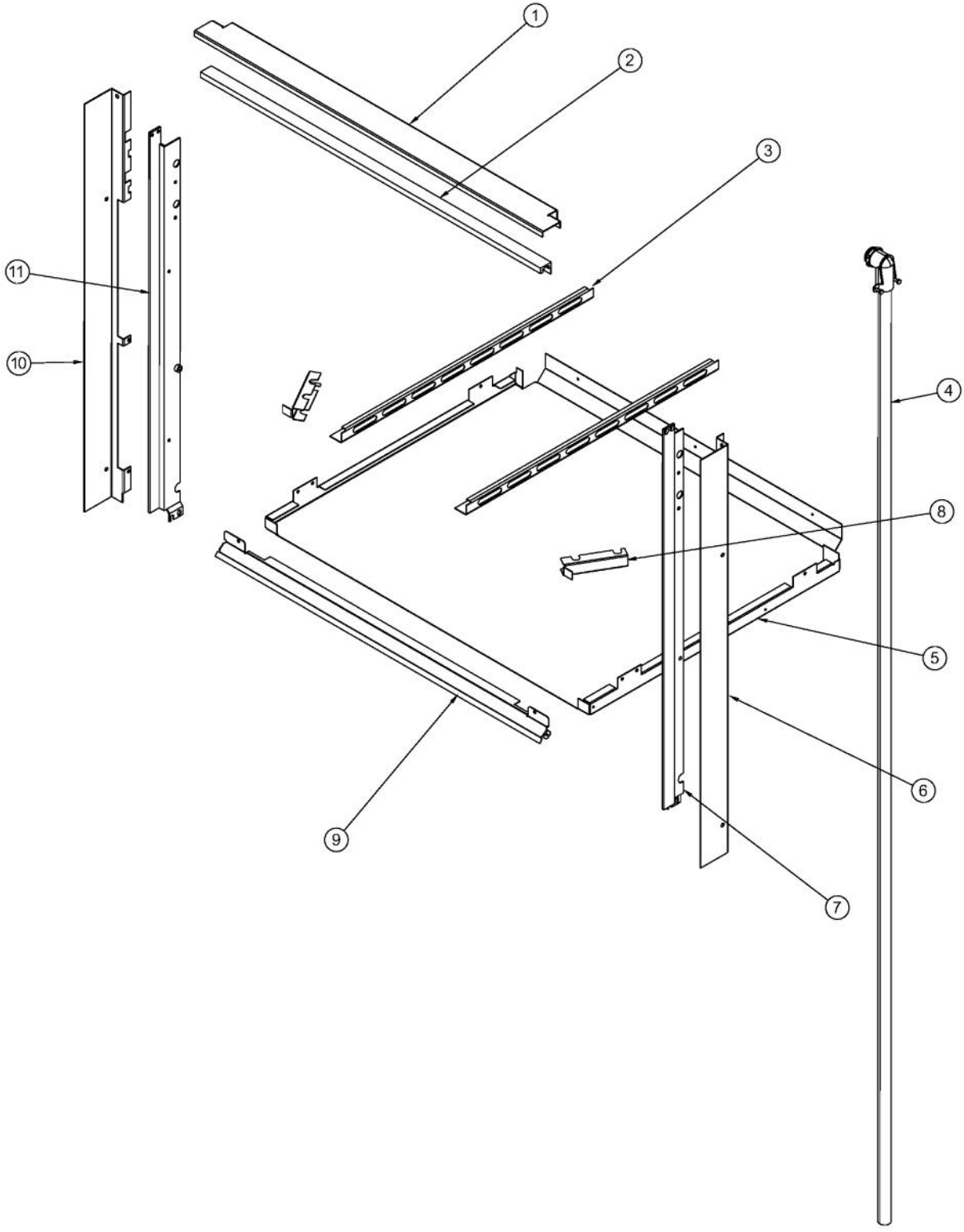
Ref #	Part Number	Qty.	Description
1	000816-000	1	30 J-MOLD (CHROME)
2	PD020004	4	10X3/8PH.HD.TYPE 25 REPL PD040125
3	002461-000	1	PROFESSIONAL SINGLE PREMIERE TOUCH CONTROL
4	025065-000	1	PNL, CTRL, MT, 30
5	PD020032	4	SRW-8(A)X3/8PH.WFR HD 7/16DIAXNICL
6	025067-000	2	BRACKET, TOUCH
7	025066-000	1	30 SS TOUCH CONTROL PANEL



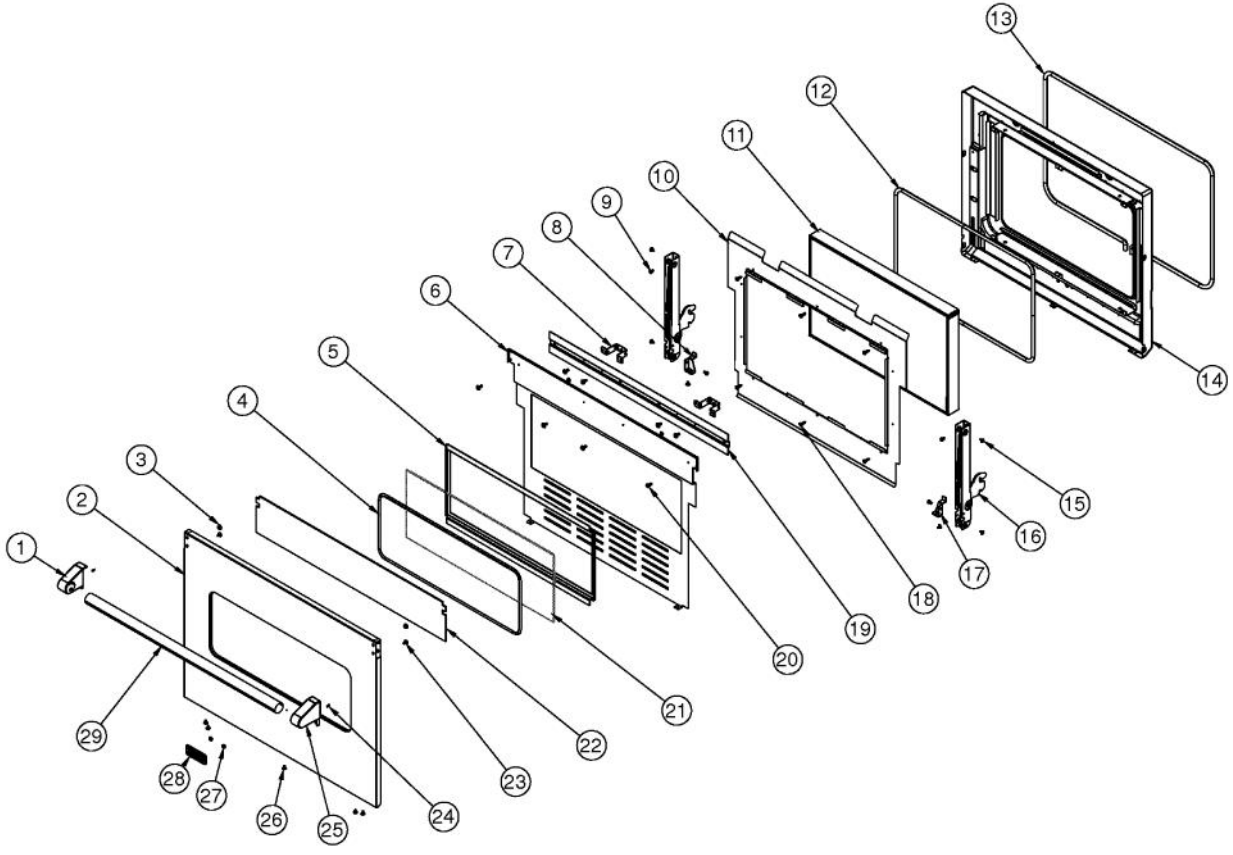
Ref #	Part Number	Qty.	Description
1	A20014049	1	30 REAR COVER
2	025057-000	1	PANEL,CVR, TOP, FR, 30
3	PE050250	1	PREMIUM BLOWER WITH HES BEFORE 2/4/2013
3	018607-000	1	FAN,BLO, 220-240V 50/60HZ ASSY AFTER 2/4/2013
4	A20010934	1	BRACKET, MODULE PAN
5	A20010910	2	BRACKET, SUPPORT, ELECTRONICS HAT
6	A10010907	1	COVER, BLOWER
7	A2009671	1	BRACKET, POWER CABLE
8	A2009643	1	MODULE PAN, TOP 30
9	PB070079	5	SILICONE EXTRUSION (DGSU)
10	A20012649	1	DOOR SWITCH BRACKET
11	PE050208	1	DOOR SWITCH
12	C20014072	1	30 INLET GRILL
13	013250-000	1	LATCH,DOOR,ASM,240V,GRIDDLE LOCKOUT BEFORE 10/31/13
13	039293-000	1	LATCH, ELEC, 240V, ASSY AFTER 10/31/13
13	013250-000	1	LATCH,DOOR,ASM,240V,GRIDDLE LOCKOUT
14	023367-000	1	30 MTG PANEL, CONTROL
15	PE050233	1	CONTROL BOARD
16	A10014028	1	2 CAPACITOR BRACKET
17	PE050234	1	RELAY BOARD
18	A2009667	1	REAR AIR DIVIDER



Ref #	Part Number	Qty.	Description
1	PB060107	2	30 OVEN RACK
2	B20014051	1	PREMIERE BROIL ELEMENT BRACKET REAR
3	PD020055	2	NO.10 X 1/2 PAN PHIL. TEK. SS
4	PE050206	1	RTD THERMOSTAT PROBE
5	A21010918	1	BRACKET, AIR, CONVECTION MOTOR
6	A2009697	1	BRACKET, CONVECTION INSULATION
7	UNSERVICEABLE	1	OVEN CAVITY, ASM 36
8	PD020060	6	10 X 1/2 (5/16)HEX WSHR HD.(T)A
9	G32014020	1	CONVECTION FAN ASSY
10	PJ010047	1	CONVECTION ELEMENT
11	G91013598	1	30 BAFFLE ASSEMBLY
12	A2009641	2	BRKT, TOP WRAPPER
13	005311-000	2	120V/25W HALOGEN LIGHT
14	014137-000	2	WRAPPER, OVEN SIDE
15	003039-000	1	RACK GUIDE ASSY, RH
16	A2009612	1	ELEMENT, MTG TRAY
17	E2109655	1	COVER, BAKE TRAY
18	PJ010048	1	BAKE ELEMENT
19	PD020232	8	NO.8 X 3/4 PH PAN HEAD TEK SCREW (BLACK OXIDE)
20	UNSERVICEABLE	1	OVEN CAVITY, ASM 36
21	PC020221	2	HINGE POCKET RECEIVER MANSFIELD RH
22	003040-000	1	RACK GUIDE ASSY, LH
23	005312-000	1	BJB SLIMLINE 40 W BULB
24	PM010160	1	MEAT PROBE JACK COVER
25	PE050115	1	MEAT PROBE JACK
26	B20014050	1	PREMIERE BROIL ELEMENT BRACKET FRONT
27	PJ010049	1	BROIL ELEMENT
28	PM010014	1	SMOKE ELIMINATOR (VDSC)
29	PB020275	1	VENT TUBE



Ref #	Part Number	Qty.	Description
1	024268-000	1	TRIM, TOP, FLUSH, 30
2	024253-000	1	TRIM, TOP, 30
3	A20012740	2	STIFFENER, BASE PAN
4	001420-000	1	48 CONDUIT ASSY
5	A2009623	1	BASE PAN 30
6	025521-000	1	TRIM, R, FLUSH
7	024254-000	1	TRIM,EXTD,RH, SGL
8	A20012739	2	BASE PAN CORNER BRACE
9	025063-002	1	DEFLECTOR, VENT, LOWER, 30, (BK)
10	025522-000	1	TRIM, L, FLUSH
11	024255-000	1	TRIM,EXTD,LH, SGL

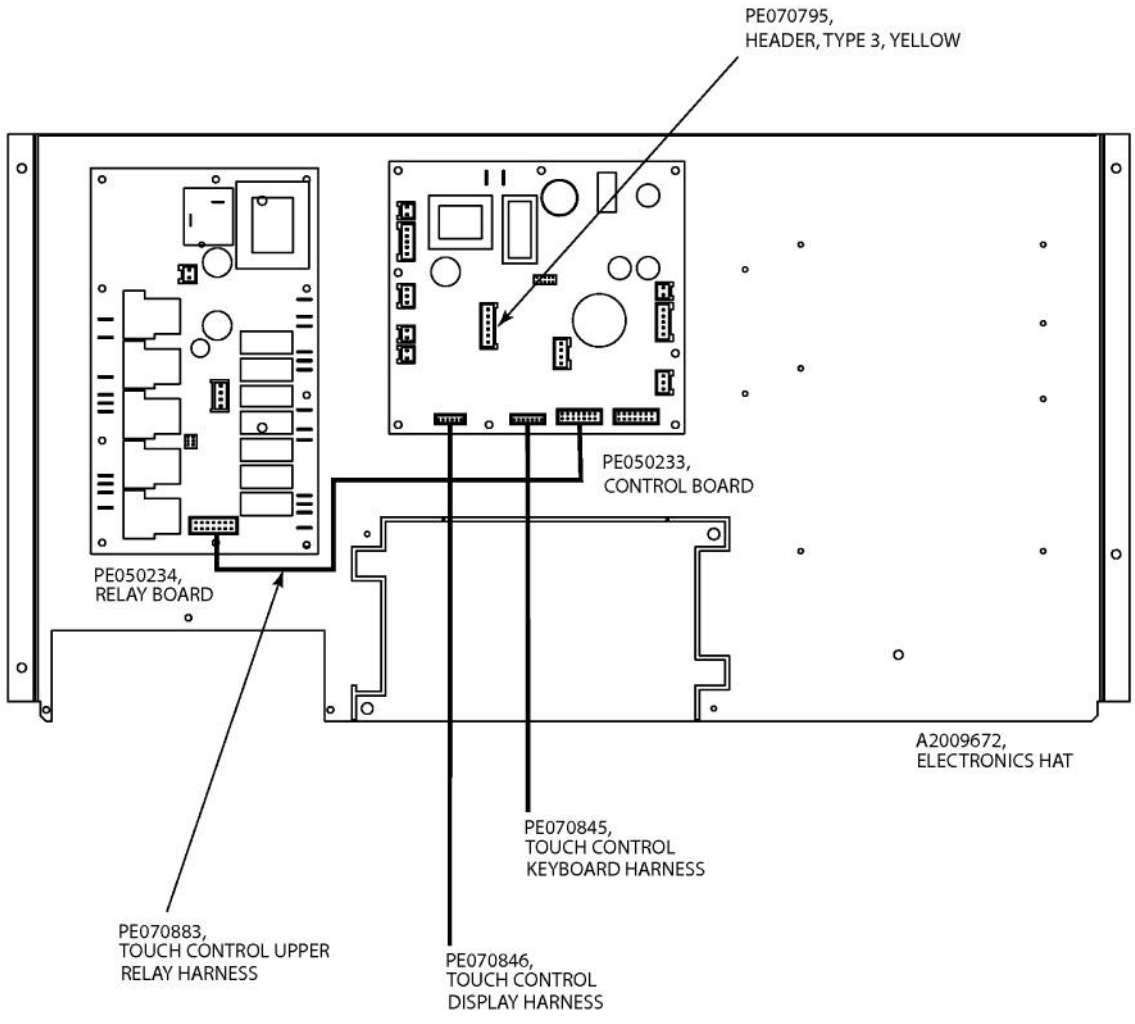


Ref #	Part Number	Qty.	Description
1	025186-000	1	ENDCAP, DOOR HDL, ASM, LH
1	025186-100	1	ENDCAP,DOOR HDL,ASM,LH (BR)
2	023992-000	1	PANEL,DOOR,W LOGO 30, SS
3	004907-000	2	STEEL FINISHING PLUG, NICKEL PLTD 25/64 HOLE
4	PE060105	1	30 J-MOLD (CHROME) NOT FIELD REPLACEABLE
5	L20014077	1	30 WINDOW HOLDER NOT FIELD REPLACEABLE
6	023994-000	1	PANEL,INSL
7	024005-000	2	BRACKET
8	A20012641	1	HINGE SUPPORT LH
9	PD020004	4	10X3/8PH.HD.TYPE 25 REPL PD040125
10	A2009632	1	PANEL, INULATION, INNER DOOR
11	PE060094	1	30 WINDOW PACK
12	000594-066	1	BLACK FIBERGLASS ROPE 3/8
13	PB070246	1	30 DOOR GASKET
14	G9109625	1	DOOR LINER PORC.
15	PD020063	8	SCREW-NO.8(A) X 3/8PH WFR HD/BK OXID
16	023799-000	2	HINGE, MANSFIELD, RED
17	A20012640	1	HINGE SUPPORT RH
18	PD020014	6	10X3/4 PH TR HD SMS
19	002732-000	1	DOOR SKIN MOUNTING BRACKET ASSY
20	PD020033	8	SRW-NO.10-24X1/2T(23)PH.WFR HD (NKL)
21	PE060090	1	30 PROF. OUTER DOOR GLASS
22	025264-000	1	PANEL,INSL,30, DOOR
23	PD020073	2	SRW NO.10 X 24 X 3/8 WAFER HD TYPE23
24	003650-000	2	SET SCREW
25	025187-000	1	ENDCAP, DOOR HDL, ASM, RH
25	025187-100	1	ENDCAP,DOOR HDL,ASM,RH (BR)
26	PD020032	5	SRW-8(A)X3/8PH.WFR HD 7/16DIAXNICL
27	PD030006	2	CAPPED WASHER PAL NUT
28	PE010142	1	3 LOGO XBKXXCHROME
28	PE010143	1	3 LOGO BK/BR
28	PE010145	1	LOGO - WH / BR
29	023998-000	1	HANDLE, DOOR, SST, 30
NI	023995-000	1	30 PRO DOOR PANEL ASM, W/LOGO, SS
NI	025510-002	1	30 PRO DOOR PANEL ASM W/LOGO, BK
NI	025510-003	1	30 PRO DOOR PANEL ASM W/LOGO, BT
NI	025510-004	1	30 PRO DOOR PANEL ASM W/LOGO, SG
NI	025510-005	1	30 PRO DOOR PANEL ASM W/LOGO, GG
NI	025510-006	1	30 PRO DOOR PANEL ASM W/LOGO, WH
NI	025510-008	1	30 DOOR PANEL ASM W/LOGO, BU
NI	025510-009	1	30 PRO DOOR PANEL ASM W/LOGO, LE
NI	025510-010	1	30 PRO DOOR PANEL ASM W/LOGO, MJ
NI	025510-012	1	30 PRO DOOR PANEL ASM W/LOGO, VB
NI	025510-013	1	30 PRO DOOR PANEL ASM W/LOGO, CB
NI	025510-015	1	30 PRO DOOR PANEL ASM W/LOGO, PL
NI	025510-016	1	30 PRO DOOR PANEL ASM W/LOGO, CH
NI	025510-017	1	30 PRO DOOR PANEL ASM W/LOGO, TP
NI	025510-018	1	30 PRO DOOR PANEL ASM W/LOGO, CW
NI	025510-019	1	30 PRO DOOR PANEL ASM W/LOGO, OG
NI	025510-020	1	30 PRO DOOR PANEL ASM W/LOGO, GM
NI	025510-021	1	30 PRO DOOR PANEL ASM W/LOGO, SA
NI	025510-022	1	30 PRO DOOR PANEL ASM W/LOGO, SE
NI	025510-023	1	30 PRO DOOR PANEL ASM W/LOGO, IB
NI	025510-024	1	30 PRO DOOR PANEL ASM W/LOGO, AR
NI	025510-025	1	30 PRO DOOR PANEL ASM W/LOGO, RR
NI	025510-026	1	30 PRO DOOR PANEL ASM W/LOGO, PM
NI	025510-027	1	30 PRO DOOR PANEL ASM W/LOGO, MS
NI	023995-100	1	30 PRO DOOR PANEL ASM, W/LOGO, SS/BR
NI	025510-102	1	30 PRO DOOR PANEL ASM W/LOGO, BK/BR
NI	025510-103	1	30 PRO DOOR PANEL ASM W/LOGO, BT/BR

Ref #	Part Number	Qty.	Description
NI	025510-103	1	30 PRO DOOR PANEL ASM W/LOGO, BT/BR
NI	025510-104	1	30 PRO DOOR PANEL ASM W/LOGO, SG/BR
NI	025510-105	1	30 PRO DOOR PANEL ASM W/LOGO, GG/BR
NI	025510-106	1	30 PRO DOOR PANEL ASM W/LOGO, WH/BR
NI	025510-108	1	30 PRO DOOR PANEL ASM W/LOGO, BU/BR
NI	025510-109	1	30 PRO DOOR PANEL ASM W/LOGO, LE/BR
NI	025510-110	1	30 PRO DOOR PANEL ASM W/LOGO, MJ/BR
NI	025510-112	1	30 PRO DOOR PANEL ASM W/LOGO, VB/BR
NI	025510-113	1	30 PRO DOOR PANEL ASM W/LOGO, CB/BR
NI	025510-115	1	30 PRO DOOR PANEL ASM W/LOGO, PL/BR
NI	025510-116	1	30 PRO DOOR PANEL ASM W/LOGO, CH/BR
NI	025510-117	1	30 PRO DOOR PANEL ASM W/LOGO, TP/BR
NI	025510-118	1	30 PRO DOOR PANEL ASM W/LOGO, CW/BR
NI	025510-119	1	30 PRO DOOR PANEL ASM W/LOGO, OG/BR
NI	025510-120	1	30 PRO DOOR PANEL ASM W/LOGO, GM/BR
NI	025510-121	1	30 PRO DOOR PANEL ASM W/LOGO, SA/BR
NI	025510-122	1	30 PRO DOOR PANEL ASM W/LOGO, SE/BR
NI	025510-123	1	30 PRO DOOR PANEL ASM W/LOGO, IB/BR
NI	025510-124	1	30 PRO DOOR PANEL ASM W/LOGO, AR/BR
NI	025510-125	1	30 PRO DOOR PANEL ASM W/LOGO, RR/BR
NI	025510-126	1	30 PRO DOOR PANEL ASM W/LOGO, PM/BR
NI	025510-127	1	30 PRO DOOR PANEL ASM W/LOGO, MS/BR
NI	023999-000	1	30 DOOR ASM, W/LOGO, SS
NI	025511-002	1	30 DOOR ASM, W/LOGO, BK
NI	025511-003	1	30 DOOR ASM, W/LOGO, BT
NI	025511-004	1	30 DOOR ASM, W/LOGO, SG
NI	025511-005	1	30 DOOR ASM, W/LOGO, GG
NI	025511-006	1	30 DOOR ASM, W/LOGO, WH
NI	025511-008	1	30 DOOR ASM, W/LOGO, BU
NI	025511-009	1	30 DOOR ASM, W/LOGO, LE
NI	025511-010	1	30 DOOR ASM, W/LOGO, MJ
NI	025511-012	1	30 DOOR ASM, W/LOGO, VB
NI	025511-013	1	30 DOOR ASM, W/LOGO, CB
NI	025511-015	1	30 DOOR ASM, W/LOGO, PL
NI	025511-016	1	30 DOOR ASM, W/LOGO, CH
NI	025511-017	1	30 DOOR ASM, W/LOGO, TP
NI	025511-018	1	30 DOOR ASM, W/LOGO, CW
NI	025511-019	1	30 DOOR ASM, W/LOGO, OG
NI	025511-020	1	30 DOOR ASM, W/LOGO, GM
NI	025511-021	1	30 DOOR ASM, W/LOGO, SA
NI	025511-022	1	30 DOOR ASM, W/LOGO, SE
NI	025511-023	1	30 DOOR ASM, W/LOGO, IB
NI	025511-024	1	30 DOOR ASM, W/LOGO, AR
NI	025511-025	1	30 DOOR ASM, W/LOGO, RR
NI	025511-026	1	30 DOOR ASM, W/LOGO, PM
NI	025511-027	1	30 DOOR ASM, W/LOGO, MS
NI	023999-100	1	30 DOOR ASM, W/LOGO, SS/BR
NI	025511-102	1	30 DOOR ASM, W/LOGO, BK/BR
NI	025511-106	1	30 DOOR ASM, W/LOGO, WH/BR
NI	025511-108	1	30 DOOR ASM, W/LOGO, BU/BR
NI	025511-109	1	30 DOOR ASM, W/LOGO, LE/BR
NI	025511-110	1	30 DOOR ASM, W/LOGO, MJ/BR
NI	025511-112	1	30 DOOR ASM, W/LOGO, VB/BR
NI	025511-113	1	30 DOOR ASM, W/LOGO, CB/BR
NI	025511-115	1	30 DOOR ASM, W/LOGO, PL/BR
NI	025511-116	1	30 DOOR ASM, W/LOGO, CH/BR
NI	025511-117	1	30 DOOR ASM, W/LOGO, TP/BR
NI	025511-118	1	30 DOOR ASM, W/LOGO, CW/BR
NI	025511-119	1	30 DOOR ASM, W/LOGO, OG/BR
NI	025511-120	1	30 DOOR ASM, W/LOGO, GM/BR

Ref #	Part Number	Qty.	Description
NI	025511-120	1	30 DOOR ASM, W/LOGO, GM/BR
NI	025511-121	1	30 DOOR ASM, W/LOGO, SA/BR
NI	025511-122	1	30 DOOR ASM, W/LOGO, SE/BR
NI	025511-123	1	30 DOOR ASM, W/LOGO, IB/BR
NI	025511-124	1	30 DOOR ASM, W/LOGO, AR/BR
NI	025511-125	1	30 DOOR ASM, W/LOGO, RR/BR
NI	025511-126	1	30 DOOR ASM, W/LOGO, PM/BR
NI	025511-127	1	30 DOOR ASM, W/LOGO, MS/BR
NI	036914-000	1	30 WALL OVEN DOOR SERVICE KIT (ON UNITS MANUFACTURED BEFORE 2/14/12)

CONTROL/RELAY BOARD WIRING (TOP VIEW)



Ref #	Part Number	Qty.	Description
NI	PE050234	1	RELAY BOARD
NI	PE050233	1	CONTROL BOARD
NI	005292-000	1	MODEL 5 HEADER
NI	PE070845	1	TOUCH CONTROL KEYBOARD HARNESS
NI	PE070846	1	TOUCH CONTROL DISPLAY HARNESS