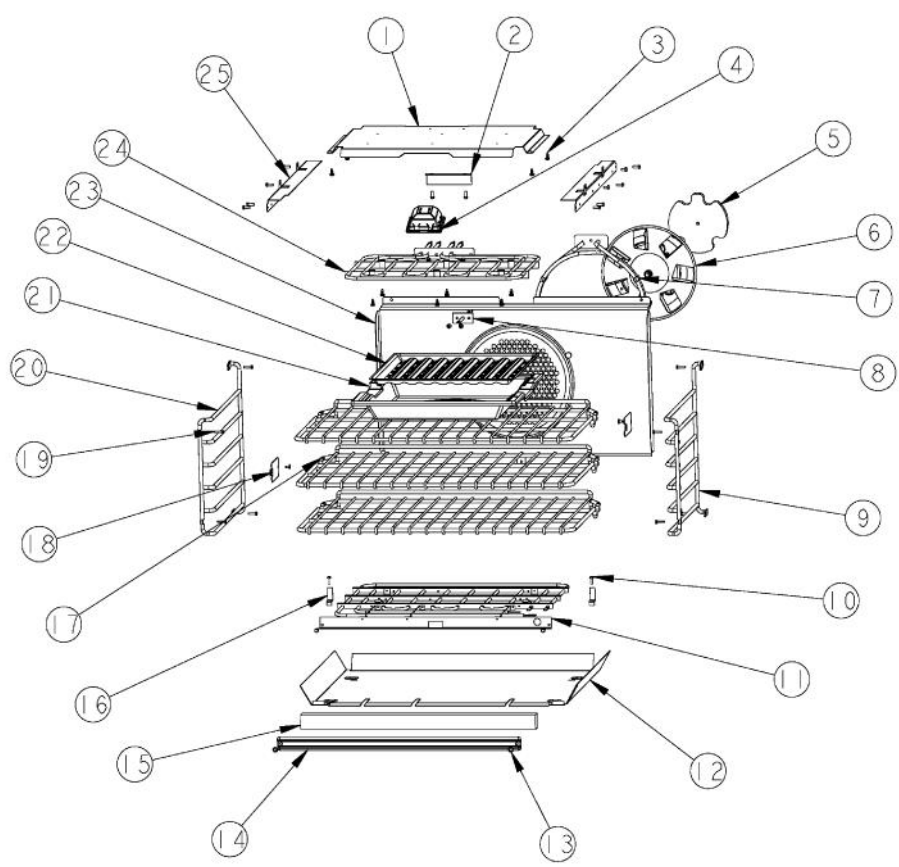
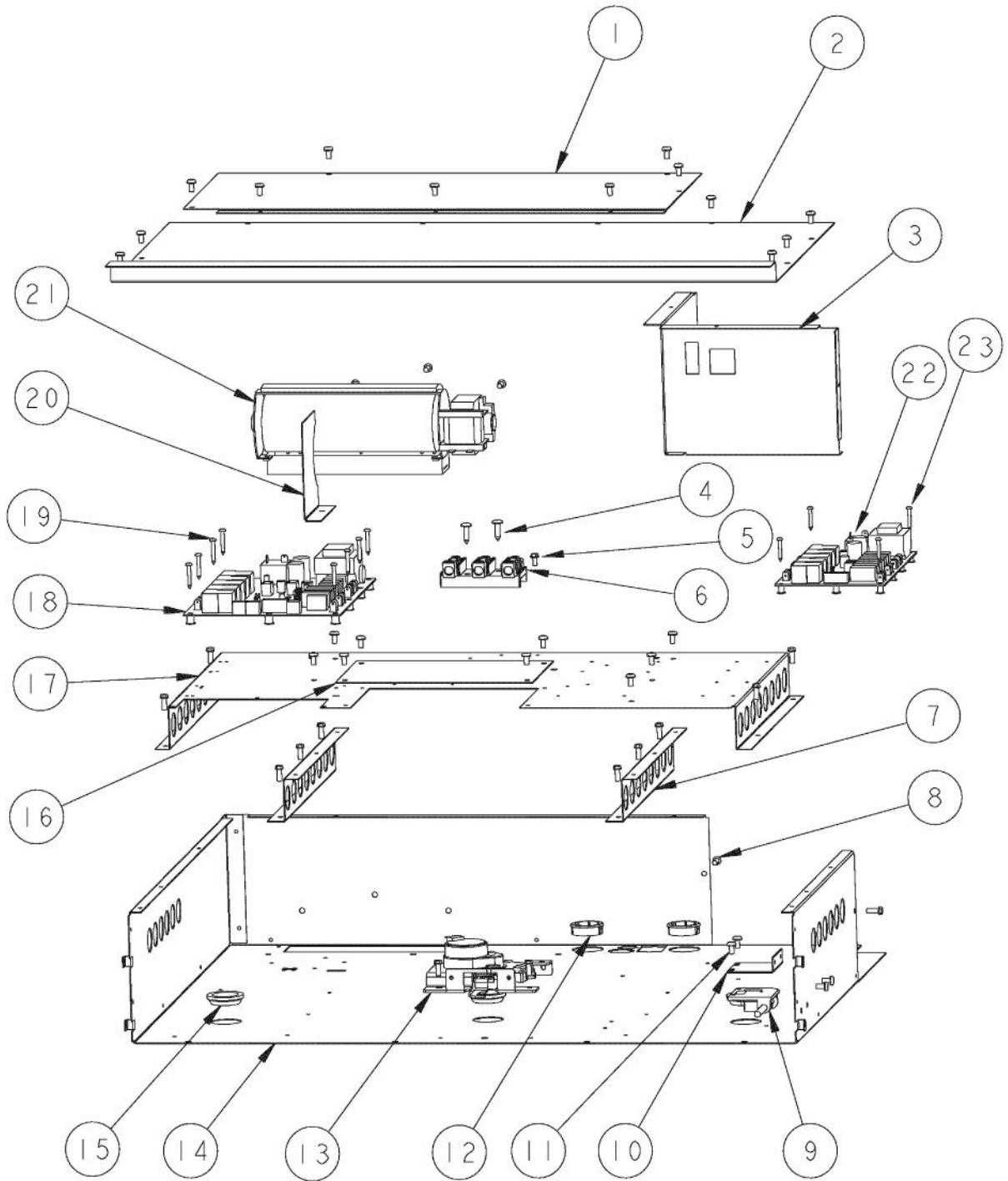


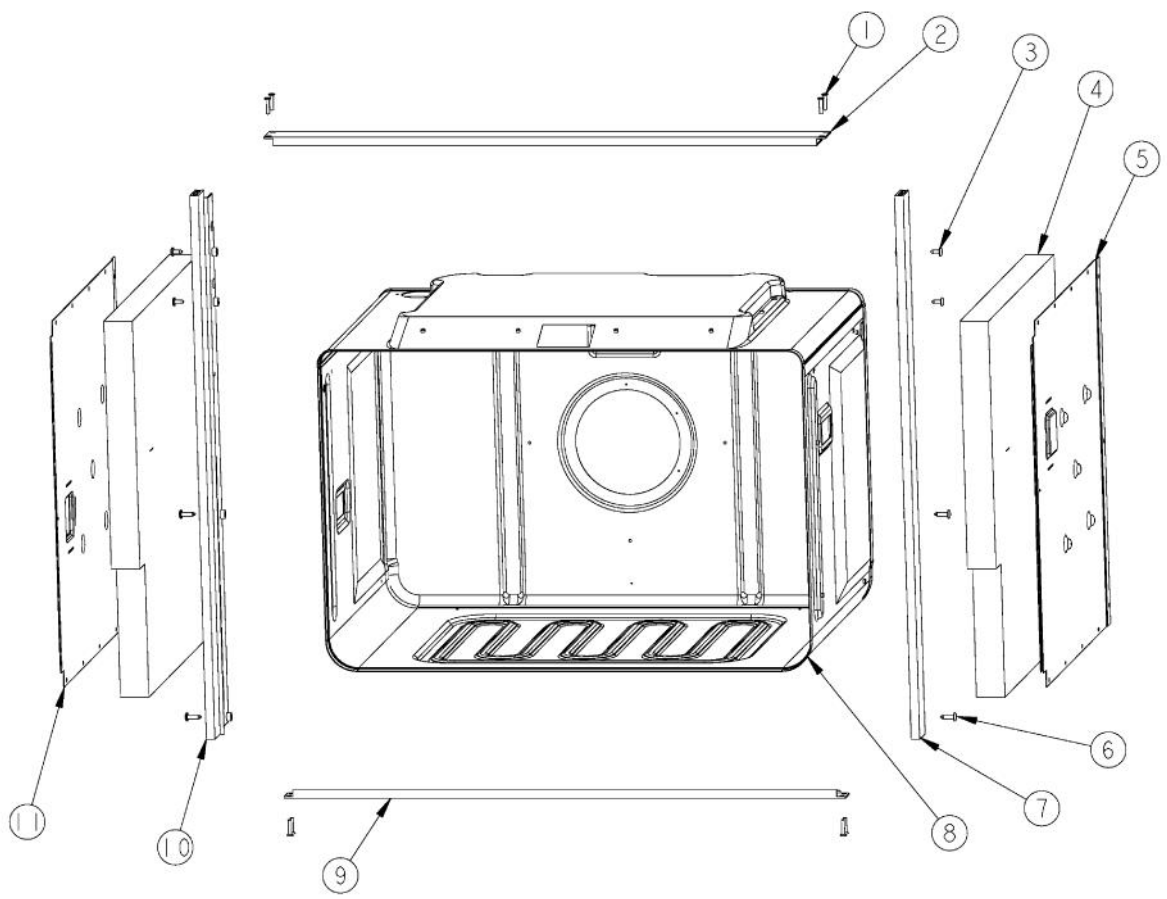
Ref #	Part Number	Qty.	Description
1	A10014028	1	2 CAPACITOR BRACKET
2	PE050247	2	EBM FAN MOTOR CAPACITOR
3	PD020004	16	10X3/8PH.HD.TYPE 25 REPL PD040125
4	002534-000	1	PRO-TOUCH CONTROL PANEL BRACKET
5	PD040164	2	5/16 INTERNAL TOOTH LOCK WASHER TYPE A
6	PD030172	2	M8 X 1.25MM NUT
7	000818-000	1	30 DOUBLE CONTROL MTG PANEL
8	C90014072BK	1	30 INLET GRILL
8	C90014072WH	1	30 INLET GRILLXWHX
9	PD040004	2	GROMMET BUMPER
10	000238-000	2	TOUCH CONTROL MTG BRACKET
11	002461-000	1	PROFESSIONAL SINGLE PREMIERE TOUCH CONTROL
12	000816-000	1	30 J-MOLD (CHROME)
13	002456-000BK	1	30`` PROFESSIONAL CONTROL PNL - BK
13	002456-000SS	1	30`` PROFESSIONAL CONTROL PNL - SS
13	002456-000WH	1	30`` PROFESSIONAL CONTROL PNL - WH
14	PJ030043	1	BI-METAL THERMOSTAT (N.C.) 180 DEGREES
15	PD020013	2	TYPE AB NO.6 X 3/8 PH PAN HD. SMS



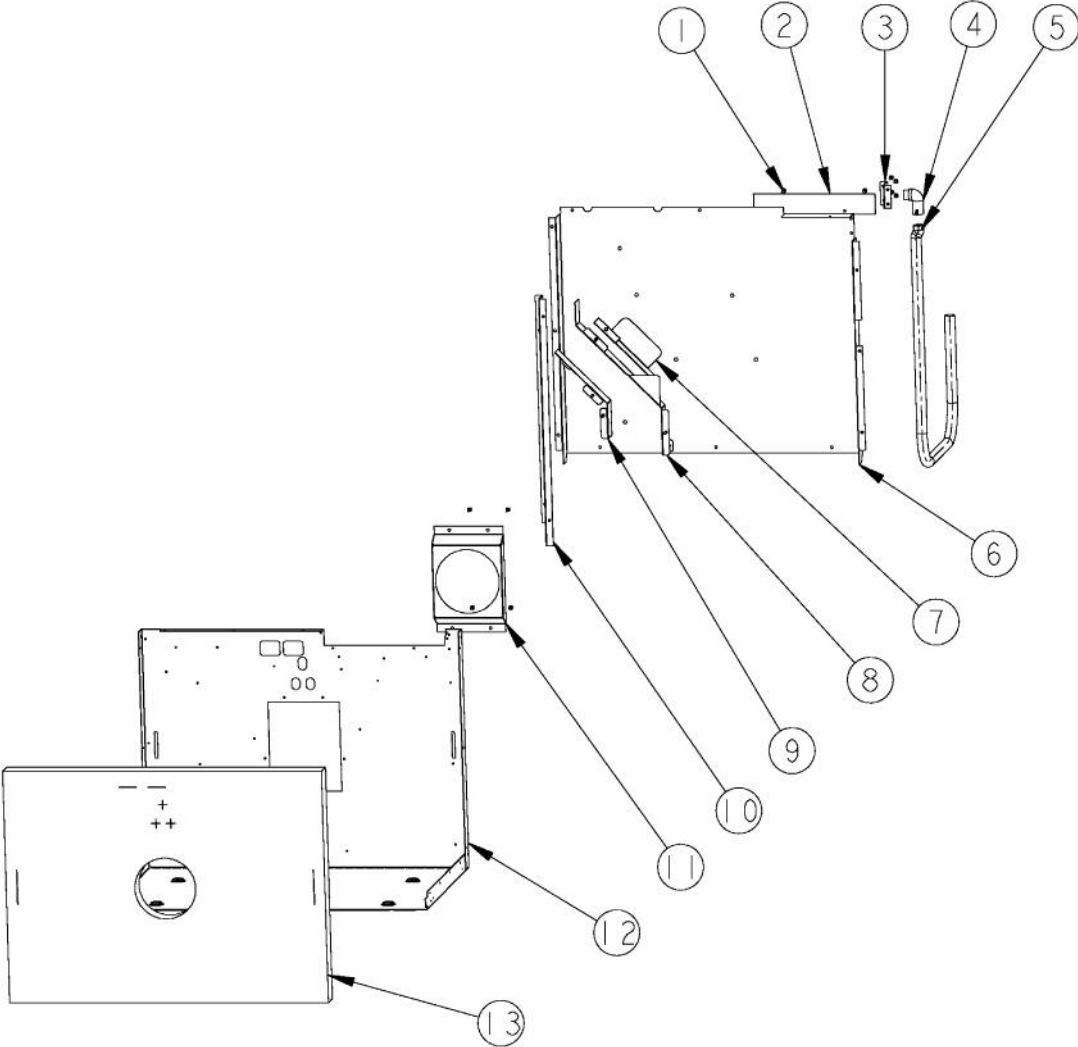
Ref #	Part Number	Qty.	Description
1	A20014021	1	REFLECTOR, BROIL
2	A20014044	1	BROIL ELEMENT SHIELD
3	PD020055	14	NO.10 X 1/2 PAN PHIL. TEK. SS
4	PE050239	1	HALOGEN LAMP
5	PB070312	1	CONVECTION MOTOR MTG. PLATE INSULATION
6	G32014020	1	CONVECTION FAN ASSY
7	PJ010047	1	CONVECTION ELEMENT
8	PE050206	1	RTD THERMOSTAT PROBE
9	PB060103	1	RACK SUPPORT RH
10	PD020060	17	10 X 1/2 (5/16)HEX WSHR HD.(T)A
11	PJ010048	1	BAKE ELEMENT
12	A2009612	1	ELEMENT, MTG TRAY
13	PD020063	4	SCREW-NO.8(A) X 3/8PH WFR HD/BK OXID
14	E9109655	1	BAKE TRAY COVER
15	PB070309	1	BAKE ELEMENT INSULATION
16	A2009696	2	HOLDER, BAKE ELEMENT
17	PB060107	3	30 OVEN RACK
18	E91012614	2	LIGHT HOLE COVER
19	PD020232	8	NO.8 X 3/4 PH PAN HEAD TEK SCREW (BLACK OXIDE)
20	PB060104	1	RACK SUPPORT LH
21	E9107933	1	BROILER PAN
22	E9107934	1	BROILER PAN INSERT
23	G91013598	1	30 BAFFLE ASSEMBLY
24	024040-000	1	ELEMENT, RIBBON (USE PART NO. 013930-000 IF OUT OF 0...
25	A2009641	2	BRKT, TOP WRAPPER
NI	PE050114	1	MEAT PROBE (DESO/DEDO) (SWITCHCRAFT'S PART NO. 4...
NI	006014-000	1	GLIDE RACK
NI	PE050115	1	MEAT PROBE JACK
NI	PE050203	1	CONVECTION MOTOR



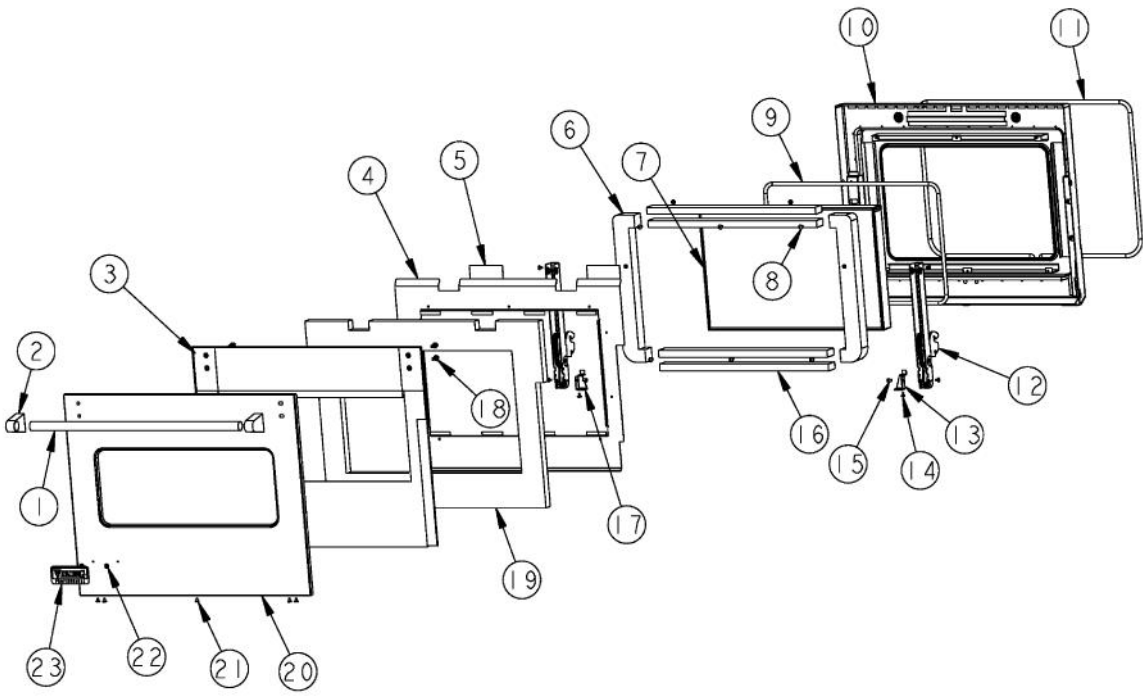
Ref #	Part Number	Qty.	Description
1	A20014049	1	30 REAR COVER
2	A20014048	1	30 FRONT COVER
3	A20010934	1	BRACKET, MODULE PAN
4	PD020014	2	10X3/4 PH TR HD SMS
5	PD020010	1	10 X 3/8 GREEN GROUNDING SCREW
6	PE070147	1	TERMINAL BLOCK
7	A20010910	2	BRACKET, SUPPORT, ELECTRONICS HAT
8	PD020060	19	10 X 1/2 (5/16)HEX WSHR HD.(T)A
9	PE050208	1	DOOR SWITCH
10	A20012649	1	DOOR SWITCH BRACKET
11	PD020004	26	10X3/8PH.HD.TYPE 25 REPL PD040125
12	PD040152	2	SNAP BUSHING
13	PE050210	1	DOOR LATCH
14	A2009643	1	MODULE PAN, TOP 30
15	PB070079	3	SILICONE EXTRUSION (DGSU)
16	A10010911	1	COVER, LATCH
17	A2009672	1	ELECTRONICS HAT
18	PE050233	2	CONTROL BOARD
19	PD020185	16	NO.6 X 1 PAN HEAD SCREW
20	A2009667	1	REAR AIR DIVIDER
21	PE050228	1	PREMIUM BLOWER
22	PE050234	1	RELAY BOARD
23	PD020185	16	NO.6 X 1 PAN HEAD SCREW



Ref #	Part Number	Qty.	Description
1	PD020170	8	NO.6-32 X 1/2 PHILLIPS C.S. TYPE F SCREW
2	PE040273	1	30 PROF. TOP TRIM
3	PD020002	4	10 X 1/2 PH.TR.HD.SMS.
4	PB070302	2	SIDE INSULATION
5	A2009622	1	BRKT, TOP WRAPPER, RIGHT
6	PD020014	4	10X3/4 PH TR HD SMS
7	PE040275	1	PROF. SINGLE SIDE TRIM RH
8	NOT REPLACEABLE	N/A	OVEN CAVITY (NOT REPLACEABLE PART)
9	PE040274	1	30 PROF. BOTTOM TRIM
10	PE040276	1	PROF. SINGLE SIDE TRIM LH
11	A20012650	2	BRKT, TOP WRAPPER LEFT

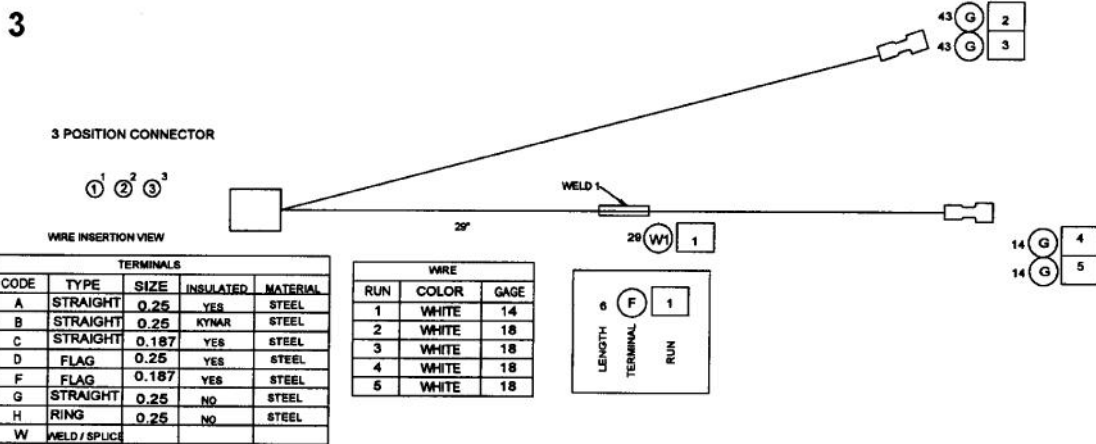
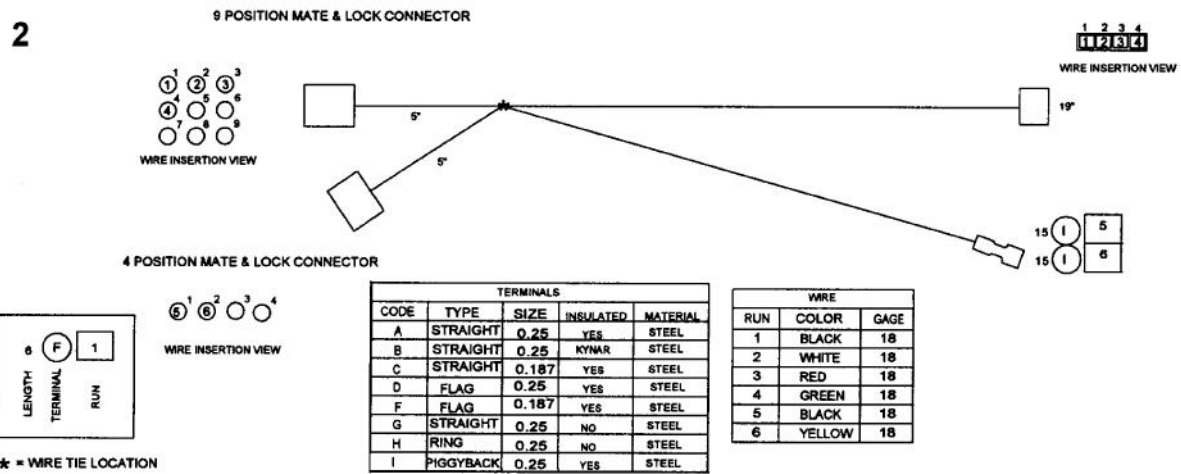
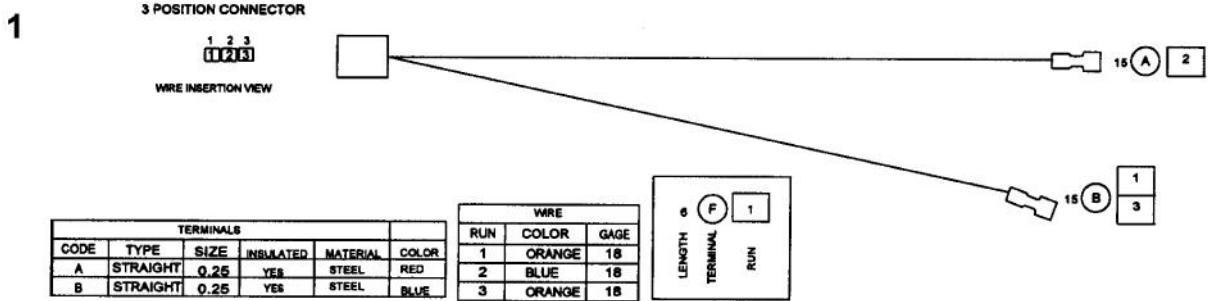


Ref #	Part Number	Qty.	Description
1	PD020060	48	10 X 1/2 (5/16)HEX WSHER HD.(T)A
2	A10010907	1	COVER, BLOWER
3	A2009671	1	BRACKET, POWER CABLE
4	PB040070	1	CONDUIT FITTING (90 DEG)
5	PB020071	1	CONDUIT - FLEXIBLE (48)
6	A2009640	1	PANEL, REAR 30
7	A20014052	1	WIRE SHIELD
8	A21010918	1	BRACKET, AIR, CONVECTION MOTOR
9	A21010919	2	BRACKET, AIR, CONVECTION MOTOR
10	A2009666	1	AIR CHANNEL
11	A2009697	1	BRACKET, CONVECTION INSULATION
12	NOT REPLACEABLE	N/A	OVEN CAVITY (NOT REPLACEABLE PART)
13	PB070304	2	30 BACK INSULATION



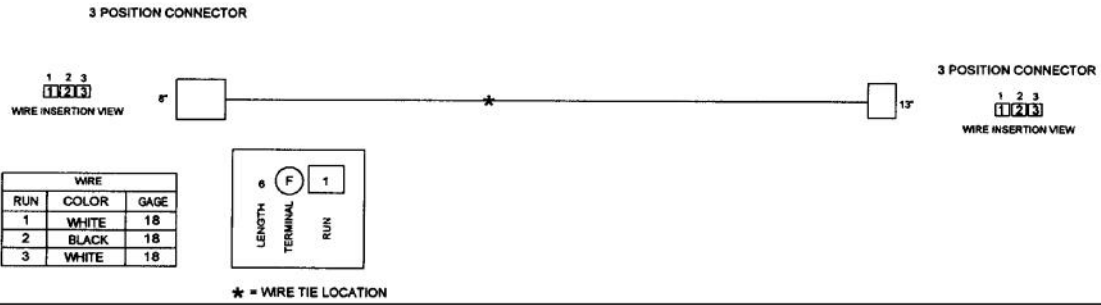
Ref #	Part Number	Qty.	Description
1	PE030179	1	30 PROF. DOOR HANDLE
1	PE030179PVD		30 PROF. DOOR HANDLE XPV DX 24.907
2	PE030001	2	BRACKET, DOOR, HANDLE
2	PE030001PVD		END CAP DOOR HANDLE XBR
3	001499-000	1	PRO 30`` INSULATION RETAINER KIT (AFTER 7-17-06)
4	A2009632	1	PANEL, INULATION, INNER DOOR
5	PB070336	2	DOOR BRACKET INSULATION
6	PB070271	2	DOOR PLUG INSULATION
7	PE060094	1	30 WINDOW PACK
8	PD020002	10	10 X 1/2 PH.TR.HD.SMS.
9	000594-000	1	BLACK FIBERGLASS ROPE 3/8
10	G9109625	1	DOOR LINER PORC.
11	PB070246	1	30 DOOR GASKET
12	PC020220	2	SUB TO 006070-000 - DOOR HINGE MANSFIELD 30
13	A20012640	1	HINGE SUPPORT RH
14	PD020063	2	SCREW-NO.8(A) X 3/8PH WFR HD/BK OXID
15	PD020004	2	10X3/8PH.HD.TYPE 25 REPL PD040125
16	PB070269	4	30 WINDOW PACK INSULATION
17	A20012641	1	HINGE SUPPORT LH
18	PD020186	4	1/4-20 X 3/4 HEX WASHER HEAD MS
19	PB070272	1	30 DOOR INSULATION
20	PS500015AL	1	30 PRO DOOR SKIN SVC KIT W/LOGO AFTER 07/17/06 - AL
20	PS500015ALBR	1	30 PRO DOOR SKIN SVC KIT W/LOGO AFTER 07/17/06 - AL/B...
20	PS500015BK	1	30 PRO DOOR SKIN SVC KIT W/LOGO AFTER 07/17/06 -BK
20	PS500015BKBR	1	30 PRO DOOR SKIN SVC KIT W/LOGO AFTER 07/17/06 -BK/BR
20	PS500015BT	1	30 PRO DOOR SKIN SVC KIT W/LOGO AFTER 07/17/06 - BT
20	PS500015BTBR	1	30 PRO DOOR SKIN SVC KIT W/LOGO AFTER 07/17/06 -BTBR
20	PS500015BU	1	30 PRO DOOR SKIN SVC KIT W/LOGO AFTER 07/17/06 -BU
20	PS500015BUBR	1	30 PRO DOOR SKIN SVC KIT W/LOGO AFTER 07/17/06 - BU/...
20	PS500015CB	1	30 PRO DOOR SKIN SVC KIT W/LOGO AFTER 07/17/06 - CB
20	PS500015CBBR	1	30 PRO DOOR SKIN SVC KIT W/LOGO AFTER 07/17/06 - CB/...
20	PS500015EP	1	30 PRO DOOR SKIN SVC KIT W/LOGO AFTER 07/17/06 - EP
20	PS500015EPBR	1	30 PRO DOOR SKIN SVC KIT W/LOGO AFTER 07/17/06 - EP/B...
20	PS500015FG	1	30 PRO DOOR SKIN SVC KIT W/LOGO AFTER 07/17/06 - FG
20	PS500015FGBR	1	30 PRO DOOR SKIN SVC KIT W/LOGO AFTER 07/17/06 - FG/...
20	PS500015GG	1	30 PRO DOOR SKIN SVC KIT W/LOGO AFTER 07/17/06 -GG
20	PS500015GGBR	1	30 PRO DOOR SKIN SVC KIT W/LOGO AFTER 07/17/06 -GG/B...
20	PS500015LE	1	30 PRO DOOR SKIN SVC KIT W/LOGO AFTER 07/17/06 - LE
20	PS500015LEBR	1	30 PRO DOOR SKIN SVC KIT W/LOGO AFTER 07/17/06 - LE/B...
20	PS500015MJ	1	30 PRO DOOR SKIN SVC KIT W/LOGO AFTER 07/17/06 - MJ
20	PS500015MJBR	1	30 PRO DOOR SKIN SVC KIT W/LOGO AFTER 07/17/06 - MJ/B...
20	PS500015SG	1	30 PRO DOOR SKIN SVC KIT W/LOGO AFTER 07/17/06 - SG
20	PS500015SGBR	1	30 PRO DOOR SKIN SVC KIT W/LOGO AFTER 07/17/06 -SGBR
20	PS500015SS	1	30 PRO DOOR SKIN SVC KIT W/LOGO AFTER 07/17/06 -SS
20	PS500015SSBR	1	30 PRO DOOR SKIN SVC KIT W/LOGO AFTER 07/17/06 - SS/B...
20	PS500015VB	1	30 PRO DOOR SKIN SVC KIT W/LOGO AFTER 07/17/06 - VB
20	PS500015VBBR	1	30 PRO DOOR SKIN SVC KIT W/LOGO AFTER 07/17/06 -VBBR
20	PS500015WH	1	30 PRO DOOR SKIN SVC KIT W/LOGO AFTER 07/17/06 - WH
20	PS500015WHBR	1	30 PRO DOOR SKIN SVC KIT W/LOGO AFTER 07/17/06 - WH/...
21	PD020032	5	SRW-8(A)X3/8PH.WFR HD 7/16DIA XNCL
22	PD030006	5	CAPPED WASHER PAL NUT
23	PE010016	1	NAMEPLATE, LOGO, PRO
23	PE010017	1	LOGO (VGSO,VEDO,VGDO,VUD) XWH/CHR
23	PE010079	1	4.5 LOGO/VIKING PROF, BK/BR
23	PE010080	1	4.5 LOGO/VIKING PROF XWH/BR
NI	G32012723AL	1	30 DOOR ASSY W/LOGO XALX
NI	G32012723ALBR	1	30 DOOR ASSY W/LOGO XALBRX
NI	G32012723BK	1	30 DOOR ASSY W/LOGO XBKX
NI	G32012723BKBR	1	30 DOOR ASSY W/LOGO XBKBRX
NI	G32012723BT	1	30 DOOR ASSY W/LOGO XBTX

Ref #	Part Number	Qty.	Description
NI	G32012723BT	1	30 DOOR ASSY W/LOGO XBTX
NI	G32012723BTBR	1	30 DOOR ASSY W/LOGO XBTBRX
NI	G32012723BU	1	30 DOOR ASSY W/LOGO XBUX
NI	G32012723BUBR	1	30 DOOR ASSY W/LOGO XBUBRX
NI	G32012723CB	1	30 DOOR ASSY W/LOGO XCBX
NI	G32012723CBBR	1	30 DOOR ASSY W/LOGO XCBBRX
NI	G32012723EP	1	30 DOOR ASSY W/LOGO XEPX
NI	G32012723EPBR	1	30 DOOR ASSY W/LOGO XEPBRX
NI	G32012723FG	1	30 DOOR ASSY W/LOGO XFGX
NI	G32012723FGBR	1	30 DOOR ASSY W/LOGO XFGBRX
NI	G32012723GG	1	30 DOOR ASSY W/LOGO XGGX
NI	G32012723GGBR	1	30 DOOR ASSY W/LOGO XGGBRX
NI	G32012723LE	1	30 DOOR ASSY W/LOGO XLEX
NI	G32012723LEBR	1	30 DOOR ASSY W/LOGO XLEBRX
NI	G32012723MJ	1	30 DOOR ASSY W/LOGO XMJX
NI	G32012723MJBR	1	30 DOOR ASSY W/LOGO XMJBRX
NI	G32012723SG	1	30 DOOR ASSY W/LOGO XSGX
NI	G32012723SGBR	1	30 DOOR ASSY W/LOGO XSGBRX
NI	G32012723SS	1	30 DOOR ASSY W/LOGO
NI	G32012723SSBR	1	30 DOOR ASSY W/LOGO XSSBRX
NI	G32012723VB	1	30 DOOR ASSY W/LOGO XVBX
NI	G32012723VBBR	1	30 DOOR ASSY W/LOGO XVBBRX
NI	G32012723WH	1	30 DOOR ASSY W/LOGO XWHX
NI	G32012723WHBR	1	30 DOOR ASSY W/LOGO XWHBRX
NI	017736-000	1	WINDOW PACK INSULATION KIT

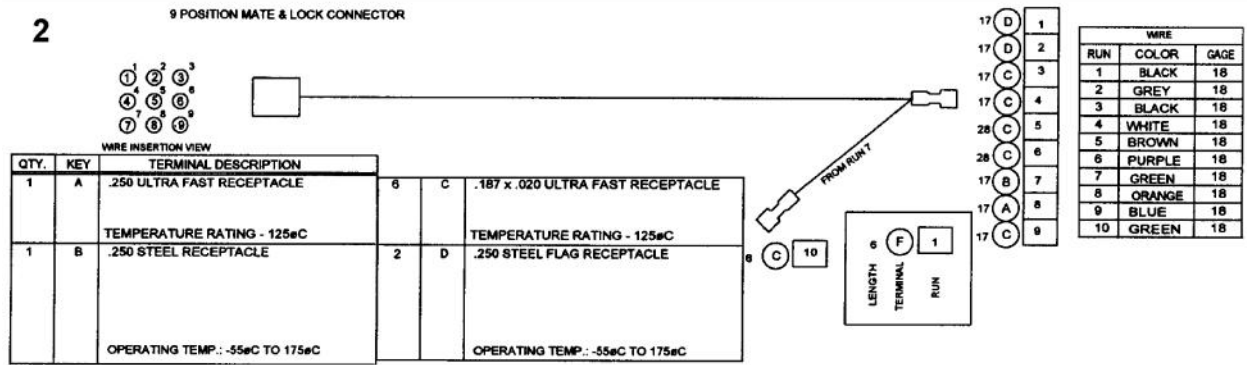


Ref #	Part Number	Qty.	Description
1	PE070743	1	SINGLE CLOCK HARNESS
2	PE070754	1	TEST HARNESS SINGLE
3	PE070739	1	BAKE ELEMENT HARNESS
NI	G4005496	1	SUPPLY WIRE - 100 BK 10GA SO/DO
NI	G4005497	1	SUPPLY WIRE - 100 GREEN 10GA SO/DO
NI	G4005499	1	SUPPLY WIRE - 100 RED 10GA SO/DO
NI	G4005494	1	SUPPLY WIRE - 75 WH 12 GA SO/DO

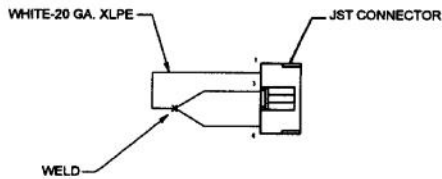
1



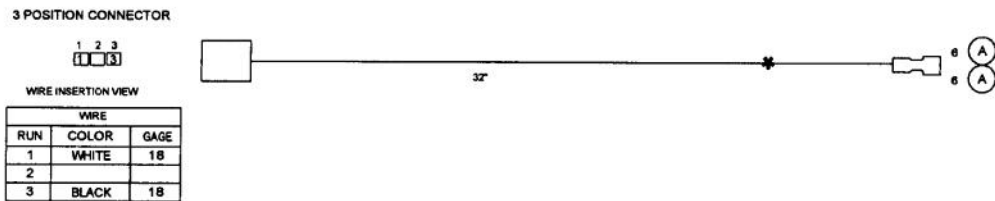
2



3

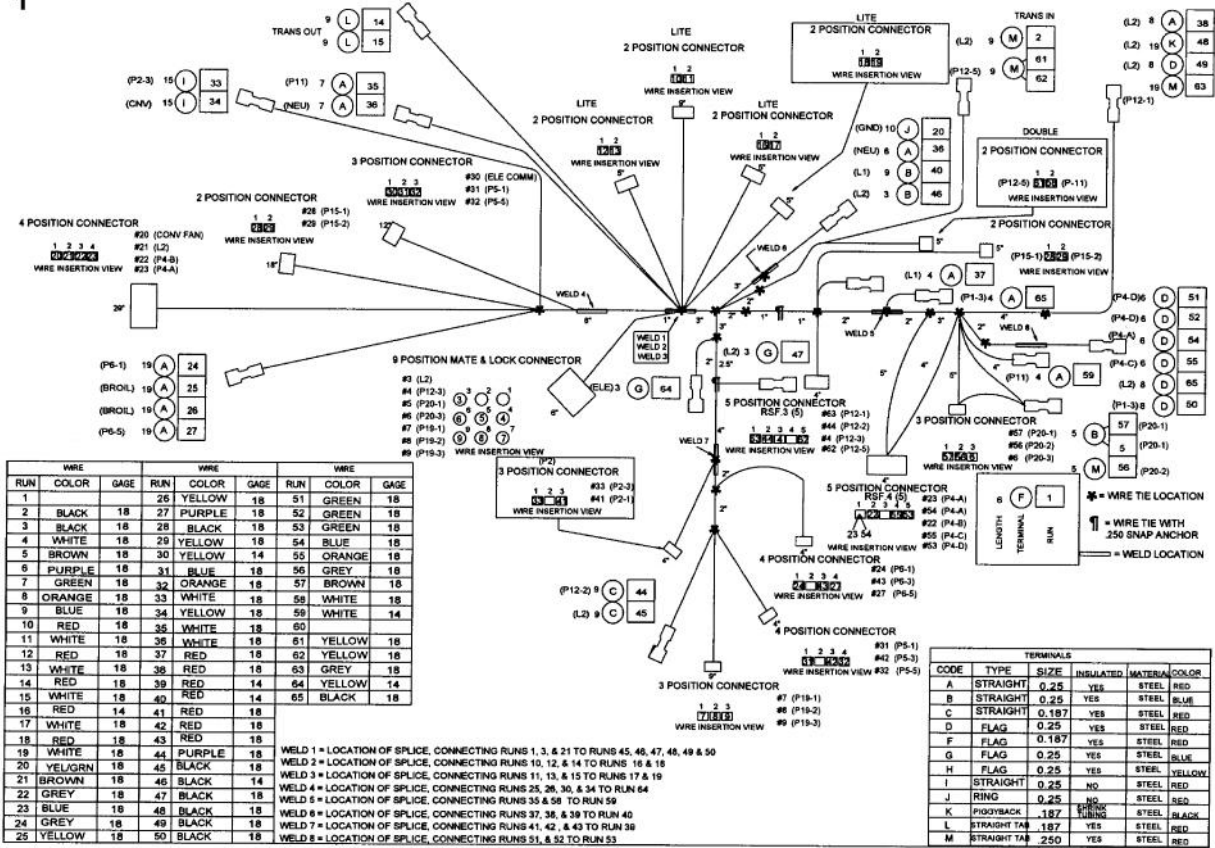


4



Ref #	Part Number	Qty.	Description
1	PE070738	1	T/STAT-SEL HARNESS
2	PE070733	1	UPPER LATCH HARNESS
3	PE070734	1	SINGLE OVEN HEADER

1



Ref #	Part Number	Qty.	Description
1	PE070742	1	UPPER CONTROL HARNESS

*No Image
Available*

Ref #	Part Number	Qty.	Description
1	PE070845	1	TOUCH CONTROL KEYBOARD HARNESS

*No Image
Available*

Ref #	Part Number	Qty.	Description
1	PE070846	1	TOUCH CONTROL DISPLAY HARNESS