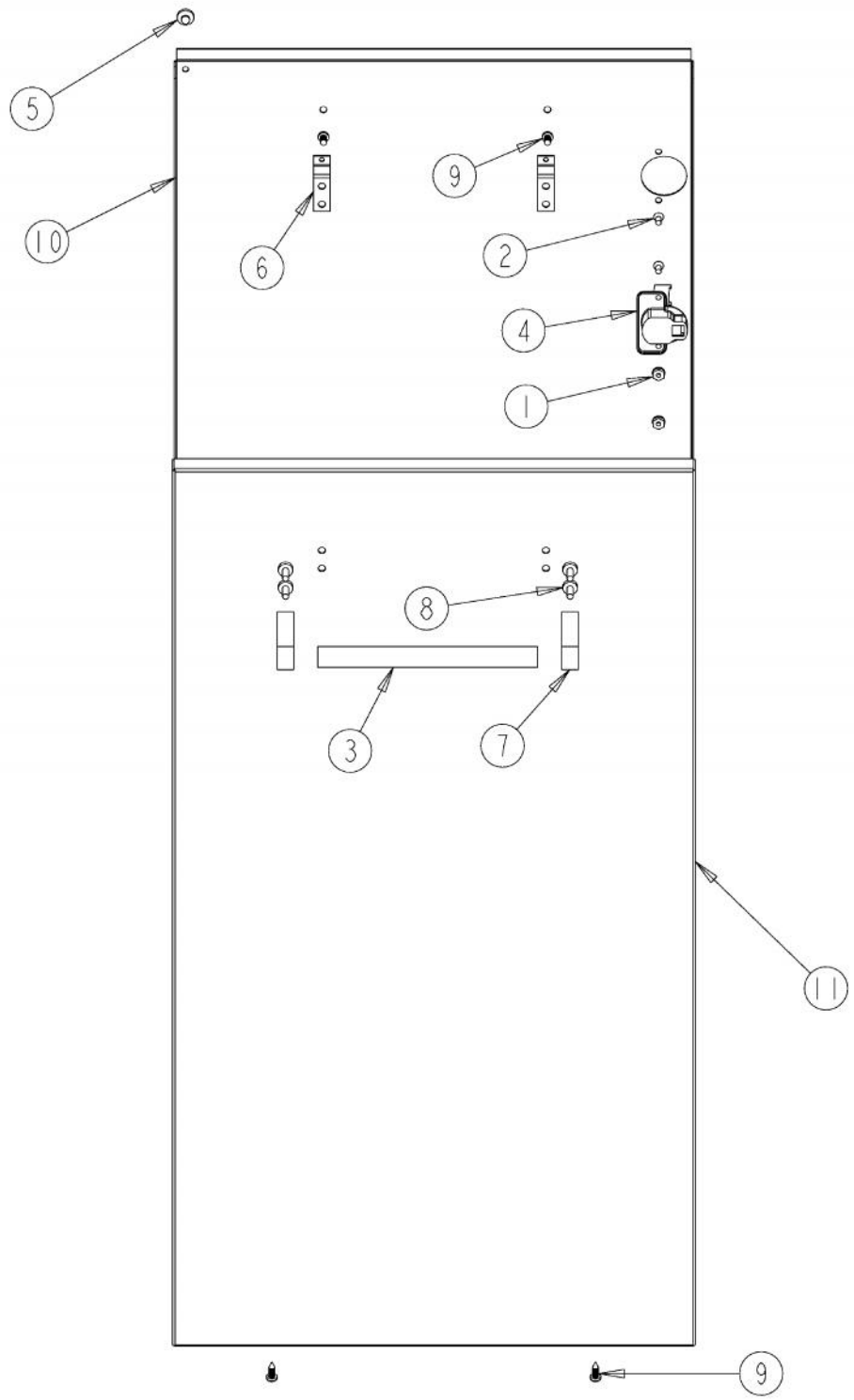
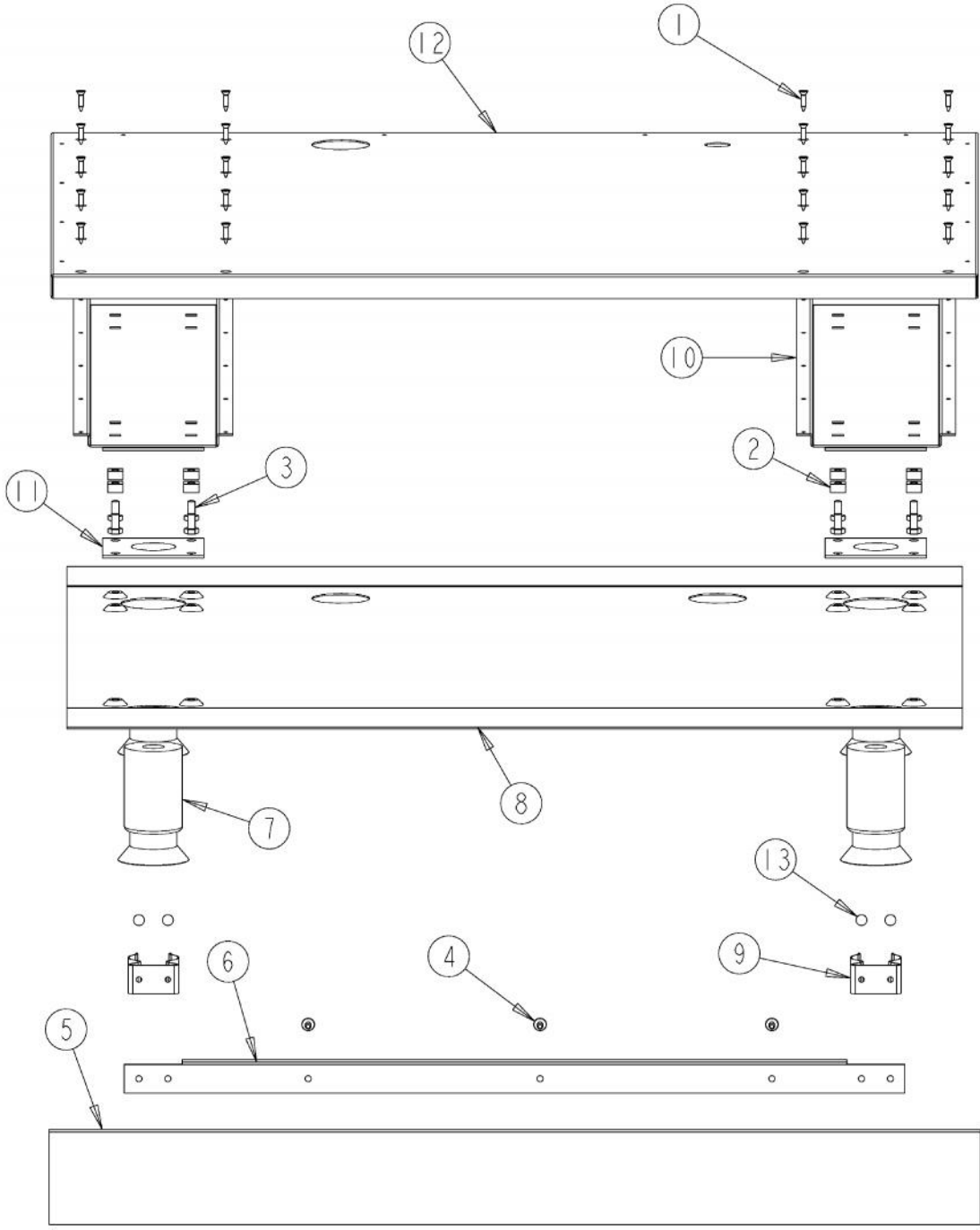


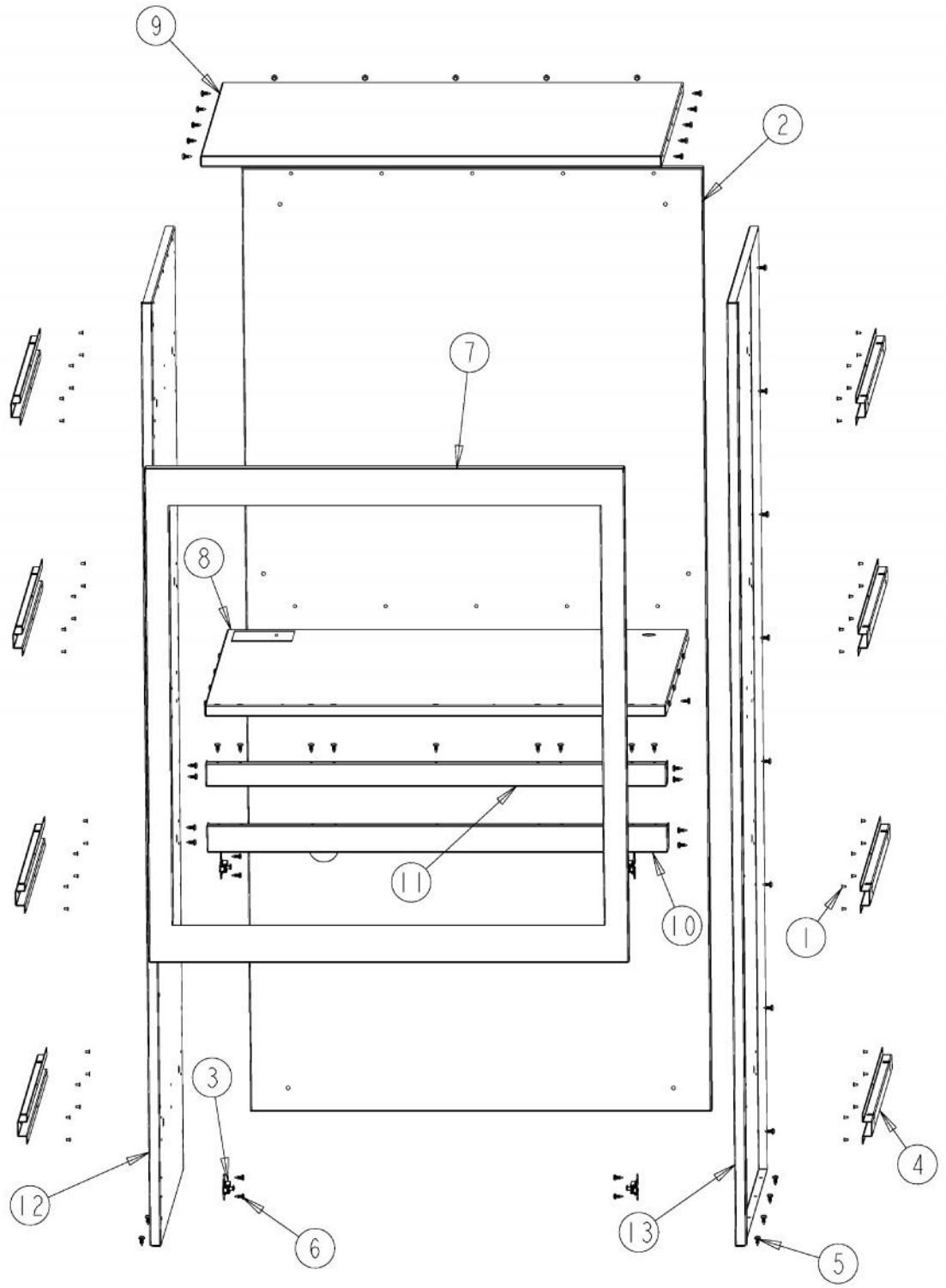
| Ref # | Part Number | Qty. | Description |
|-------|-------------|------|----------------------------------|
| 1 | PD030098 | | 8-32 HEX KEP NUT S.S. |
| 2 | PD020119 | | 8-32X3/8 PH CTR. MACH.SCREW S.S. |
| 3 | PE030189 | | CABINET HANDLE |
| 4 | PC020172 | | DOOR HINGE (BBQ) |
| 5 | PD040004 | | GROMMET BUMPER |
| 6 | B20013950 | | HANDLE BRACKET (VBO/VTPO18) |
| 7 | PE030187 | | ENDCAP, TUBE |
| 8 | PD020056 | | NO. 10-24 X 1/2 PH.TR. M.S. SS |
| 9 | PD020120 | | 8 X 1/2 TEK SHEET METAL SCREW |
| 10 | B20015116 | | LH INNER DOOR (VEUO/VGUO3202) |
| 11 | B30015113 | | OUTER DOOR (VEUO/VGUO3202) |
| NI | G32015117SS | | LH DOOR ASSY (VEUO/VGUO3202) |



| Ref # | Part Number | Qty. | Description |
|-------|-------------|------|----------------------------------|
| 1 | PD030098 | | 8-32 HEX KEP NUT S.S. |
| 2 | PD020119 | | 8-32X3/8 PH CTR. MACH.SCREW S.S. |
| 3 | PE030189 | | CABINET HANDLE |
| 4 | PC020172 | | DOOR HINGE (BBQ) |
| 5 | PD040004 | | GROMMET BUMPER |
| 6 | B20013950 | | HANDLE BRACKET (VBO/VTPO18) |
| 7 | PE030187 | | ENDCAP, TUBE |
| 8 | PD020056 | | NO. 10-24 X 1/2 PH.TR. M.S. SS |
| 9 | PD020120 | | 8 X 1/2 TEK SHEET METAL SCREW |
| 10 | B20015114 | | RH INNER DOOR (VEUO/VGUO3202) |
| 11 | B30015113 | | OUTER DOOR (VEUO/VGUO3202) |
| NI | G32015115SS | | RH DOOR ASSY (VEUO/VGUO3202) |



| Ref # | Part Number | Qty. | Description |
|-------|-------------|------|------------------------------------|
| 1 | PD020061 | | NO.8 X 3/4 FLAT HD TEK. SS. |
| 2 | PD030043 | | 1/4-20 CAGE NUT SS |
| 3 | PD010006 | | HEX HD. BOLT - 1/4-20 X 1/2 |
| 4 | PD020002 | | 10 X 1/2 PH.TR.HD.SMS. |
| 5 | PK030485 | | 32 KICK PLATE 32.125 X 3.250 |
| 6 | A20014848 | | KICK PLATE MOUNT BRKT (VBP32) |
| 7 | PC030017 | | 4 LEG ASSY |
| 8 | B20015112 | | BOTTOM COVER (VEUO/VGUO3202) |
| 9 | PD030002 | | LOWER ACC PAN SPRING CLAMP (SYWE1) |
| 10 | A20013935 | | LEG BRACE (VQBO3021) |
| 11 | PC030007 | | LEG PLATE - 3/4 THREADED HOLE |
| 12 | B20015111 | | MAIN BOTTOM (VEUO/VGUO3202) |
| 13 | PC040003 | | POP RIVET - SB64 3/16DIA.X 3/8 |



| Ref # | Part Number | Qty. | Description |
|-------|-------------|------|--------------------------------|
| 1 | PC040014 | | POP RIVOT-SS42 SS |
| 2 | B20014821 | | REAR CABINET |
| 3 | PC020173 | | DOOR HINGE RECEIVER (BBQ) |
| 4 | A20013956 | | MOUNT BRACKET (CABINETS) |
| 5 | PD020055 | | NO.10 X 1/2 PAN PHIL. TEK. SS |
| 6 | PD020120 | | 8 X 1/2 TEK SHEET METAL SCREW |
| 7 | B30014827 | | FRONT FASCIA (VERO3200) |
| 8 | B20014828 | | MIDDLE SUPPORT (VERO3200) |
| 9 | B20014825 | | TOP (VERO3200) |
| 10 | B20013959 | | CENTER SUPPORT (VEUO/VGUO3202) |
| 11 | B20014866 | | CENTER SUPPORT |
| 12 | B20014617 | | LH I/S SIDE |
| 13 | B20014616 | | RH I/S SIDE |