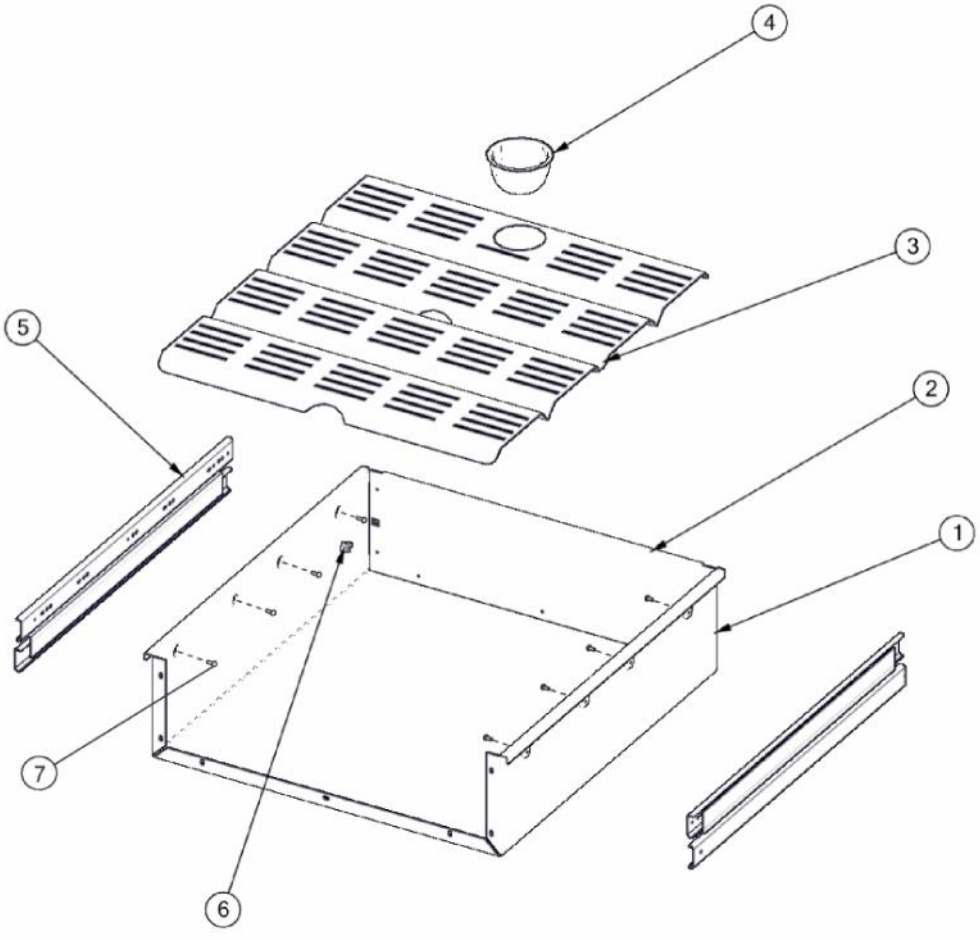
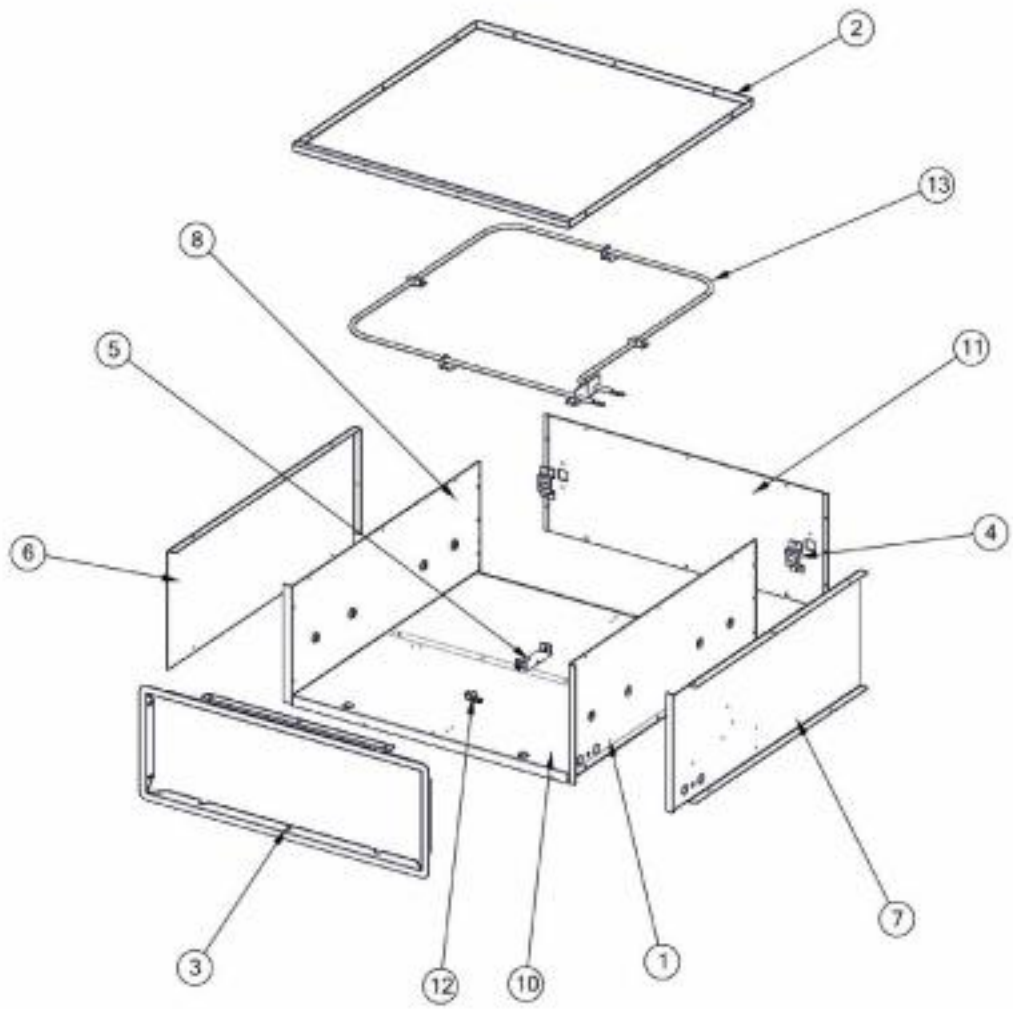


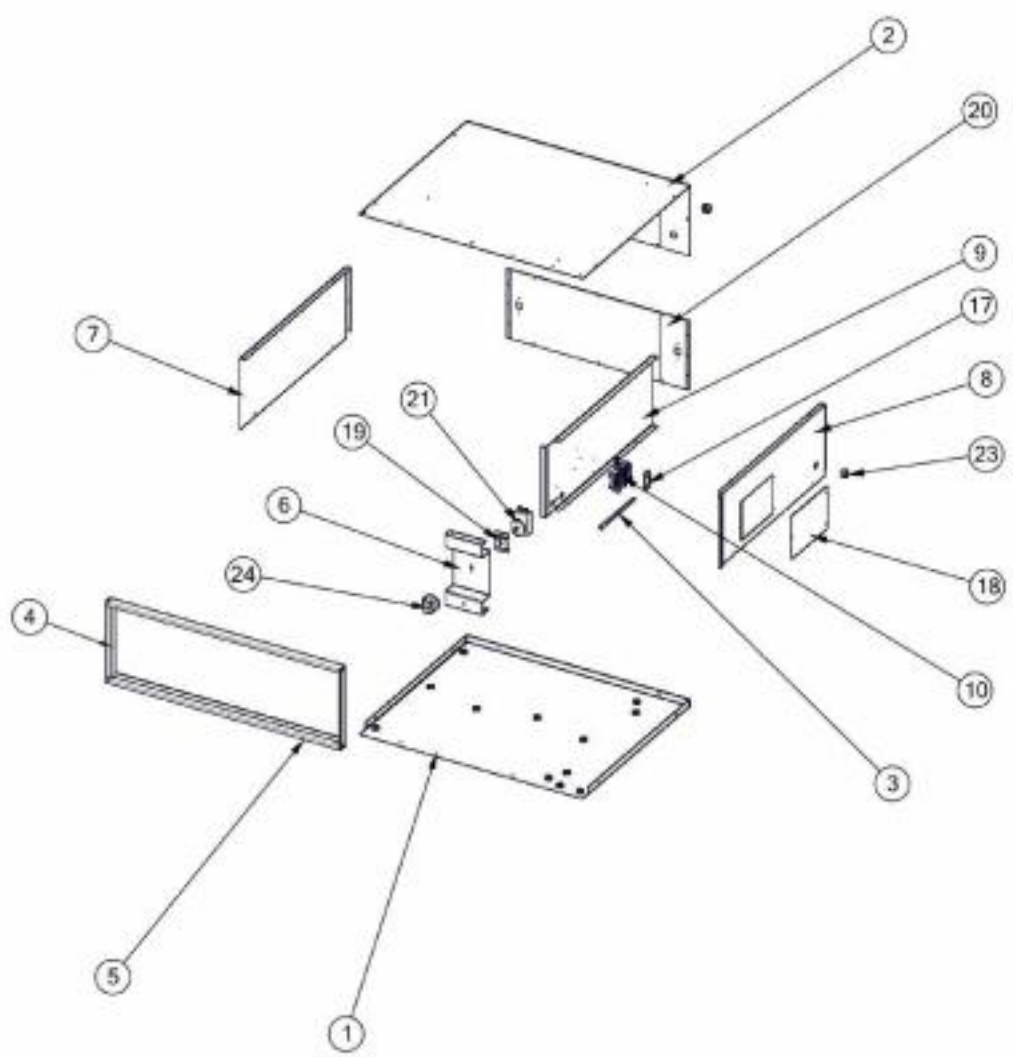
Ref #	Part Number	Qty.	Description
1	002736-000	4	NO.10-32 PAN HEAD PHILLIPS MACHINE SCREW
2	003931-000	1	LIGHT BULB BRKT
3	004907-000	4	STEEL FINISHING PLUG, NICKEL PLTD 25/64 HOLE
4	015174-000	1	LENS, BLUE
5	025186-000	1	ENDCAP, DOOR HDL, ASM, LH
5	025186-100	1	ENDCAP,DOOR HDL,ASM,LH (BR)
6	025187-000	1	ENDCAP, DOOR HDL, ASM, RH
6	025187-100	1	ENDCAP,DOOR HDL,ASM,RH (BR)
7	026871-000	1	HANDLE,DOOR,SST, 27
8	026868-000	1	VEWD536 INNER DOOR PANEL
9	026866-000	1	VEWD536 OUTER DOOR, SS
9	027024-002	1	VEWD536 OUTER DOOR, BK
9	027024-003	1	VEWD536 OUTER DOOR, BT
9	027024-004	1	VEWD536 OUTER DOOR, SG
9	027024-005	1	VEWD536 OUTER DOOR, GG
9	027024-006	1	VEWD536 OUTER DOOR, WH
9	027024-008	1	VEWD536 OUTER DOOR, BU
9	027024-009	1	VEWD536 OUTER DOOR, LE
9	027024-010	1	VEWD536 OUTER DOOR, MJ
9	027024-012	1	VEWD536 OUTER DOOR, VB
9	027024-013	1	VEWD536 OUTER DOOR, CB
9	027024-015	1	VEWD536 OUTER DOOR, PL
9	027024-016	1	VEWD536 OUTER DOOR, CH
9	027024-017	1	VEWD536 OUTER DOOR, TP
9	027024-018	1	VEWD536 OUTER DOOR, CW
9	027024-019	1	VEWD536 OUTER DOOR, OG
9	027024-020	1	VEWD536 OUTER DOOR, GM
9	027024-021	1	VEWD536 OUTER DOOR, SA
9	027024-022	1	VEWD536 OUTER DOOR, SE
9	027024-023	1	VEWD536 OUTER DOOR, IB
9	027024-024	1	VEWD536 OUTER DOOR, AR
9	027024-025	1	VEWD536 OUTER DOOR, RR
9	027024-026	1	VEWD536 OUTER DOOR, PM
9	027024-027	1	VEWD536 OUTER DOOR, MS
10	PA010072	1	MOISTURE SELECTOR KNOB XBKX (VEWD)
11	026870-000	1	VEWD536 VENT BACK SUPPORT
12	026216-000	1	VEWD 5-SERIES VENT KNOB BRACKET
13	026217-000	1	VEWD 5-SERIES VENT BAR
14	PD020032	7	SRW-8(A)X3/8PH.WFR HD 7/16DIAXNICL
15	PD030006	2	CAPPED WASHER PAL NUT
16	PE010142	2	3 LOGO XBKXXCHROME
16	PE010143	1	3 LOGO BK/BR
17	PD020073	1	SRW NO.10 X 24 X 3/8 WAFER HD TYPE23



Ref #	Part Number	Qty.	Description
1	004447-000	1	WARMING DRAWER 36 (VEWD163)
2	008499-000	1	WARMING DRAWER BACK 36 (VEWD163)
3	005281-000	1	FRONT RACK - 36 (VEWD)
3	005282-000	1	REAR RACK - 36 (VEWD)
4	PA030005	1	6OZ. STAINLESS STEEL BOWL (6960)
5	PC020022	6	WARMING DRAWER SLIDES
6	PD950012	2	STRIKE PANEL ACCESS
7	PC040019	8	POP RIVET (0.125 GR X 0.156 DIA)



Ref #	Part Number	Qty.	Description
1	004646-000	1	RH INNER WALL
2	004446-000	1	36 I/S TOP PANEL (VEWD163)
3	005290-000	1	GASKET FRAME (VEWD163)
4	B2004141	2	BRACKET
5	024166-000	1	THERMOBULB BRACKET
6	026133-000	1	VEWD 5-SERIES LH O/S SIDE
7	026135-000	1	VEWD 5-SERIES INSULATION PANEL
8	026793-000	1	VEWD 5-SERIES LH I/S SIDE
9	A2007081	1	36" WARMING DRAWER BRKT
11	008499-000	1	WARMING DRAWER BACK 36 (VEWD163)
10	004445-000	1	BTM INSIDE PANEL 36 (VEWD163)
12	PD030148	2	CLAMP CABLE ALUMINUM .500 DIA. (AL-8 CLAMP)
13	PJ010008	1	ELEMENT - 36 (VEWD)



Ref #	Part Number	Qty.	Description
1	004444-000	1	WARMING DRAWER BTM 36 (VEWD163)
2	004449-000	1	OUTER TOP PANEL (VEWD163)
3	017211-000	1	INDICATOR LIGHT XL SNAP IN CLEAR LIGHT
4	025878-000	2	SIDE TRIM
5	025941-000	2	TRIM, TOP/BOTTOM
6	026124-000	1	VEWD 5-SERIES CONTROL PANEL
7	026133-000	1	VEWD 5-SERIES LH O/S SIDE
8	026134-000	1	VEWD 5-SERIES RH O/S SIDE
9	026135-000	1	VEWD 5-SERIES INSULATION PANEL
10	PE070147	1	TERMINAL BLOCK
17	A1002457	1	POWER CORD MOUNTING STRAP (VDSC)
18	A1004135	1	ACCESS PLATE (VEWD)
19	A2006075	1	THERMOSTAT SPACER, DESIGNER
20	005277-000	1	REAR INSIDE PANEL 36 (VEWD163)
21	PB010167	1	THERMOSTAT
22	PD020043	8	NO.6-32 X .750 PH. CTRSK T(F)-VGSO166
23	PD040005	2	SNAP BUSHING - 7/8
24	PB010278	1	T/STAT KNOB-XBKX (B-IN OVEN)
NI	PB070072	1	WARMING DRAWER GASKET 6' /UNIT
NI	017509-000	1	WIRING HARNESS, DEWD102