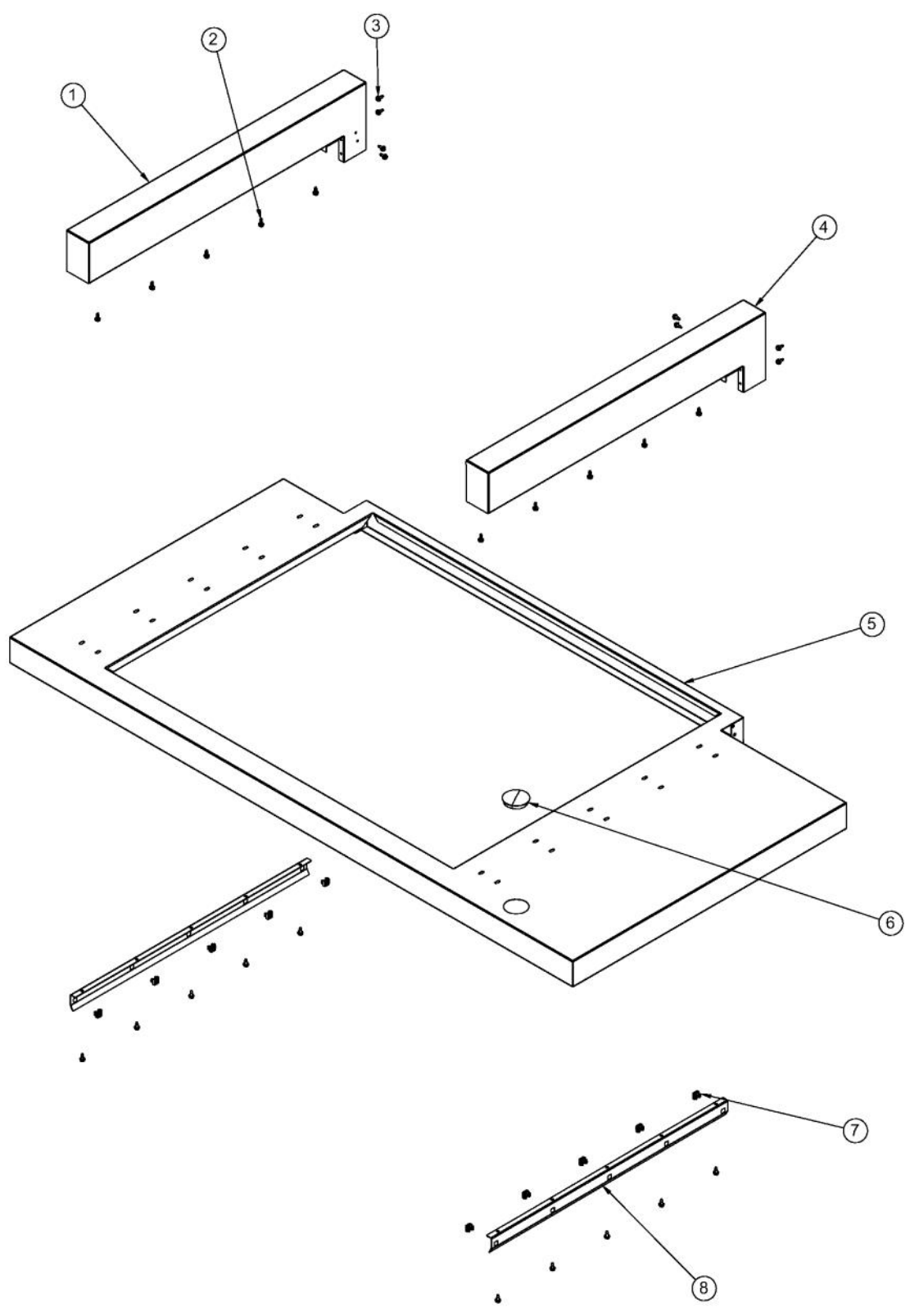
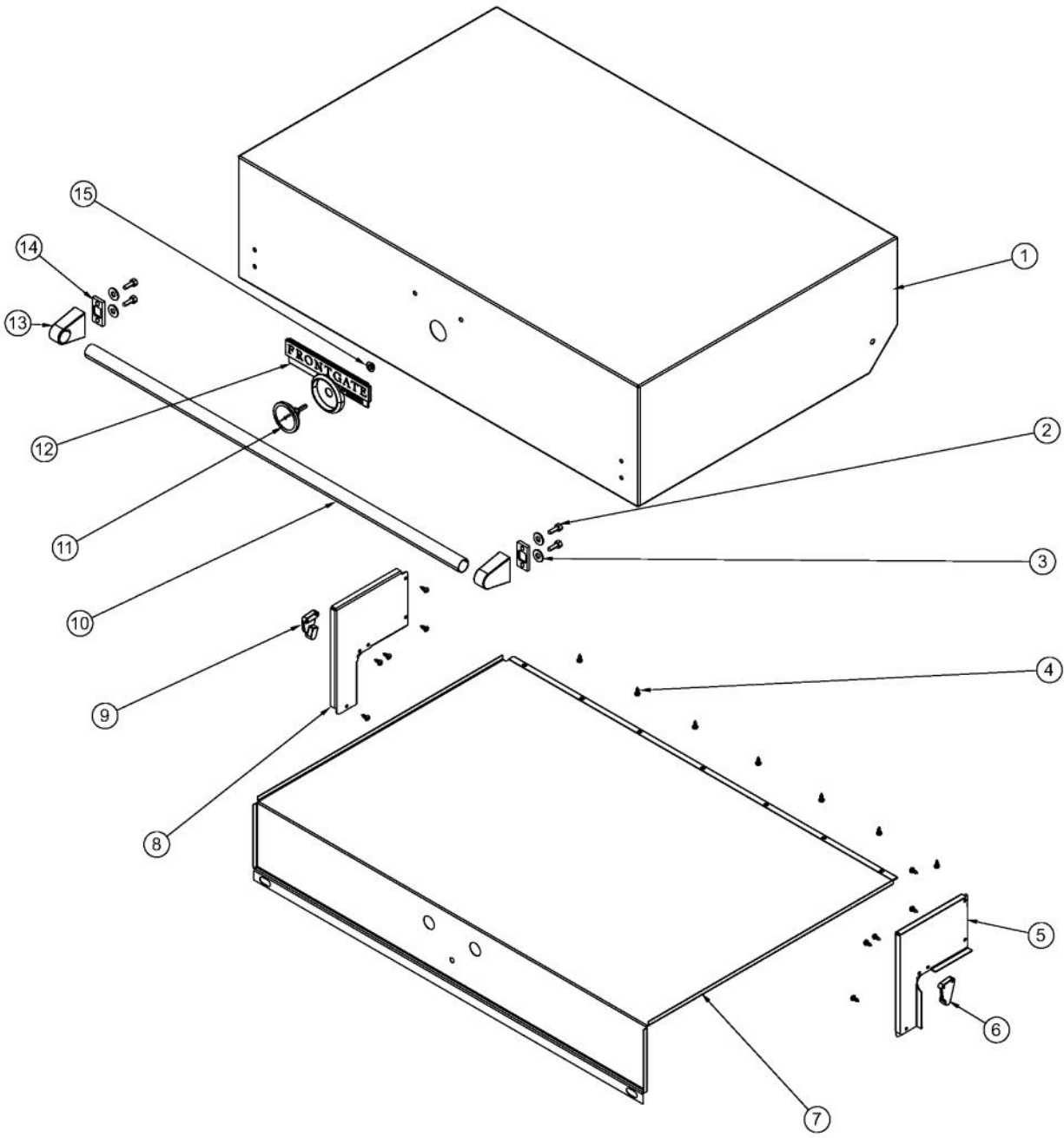


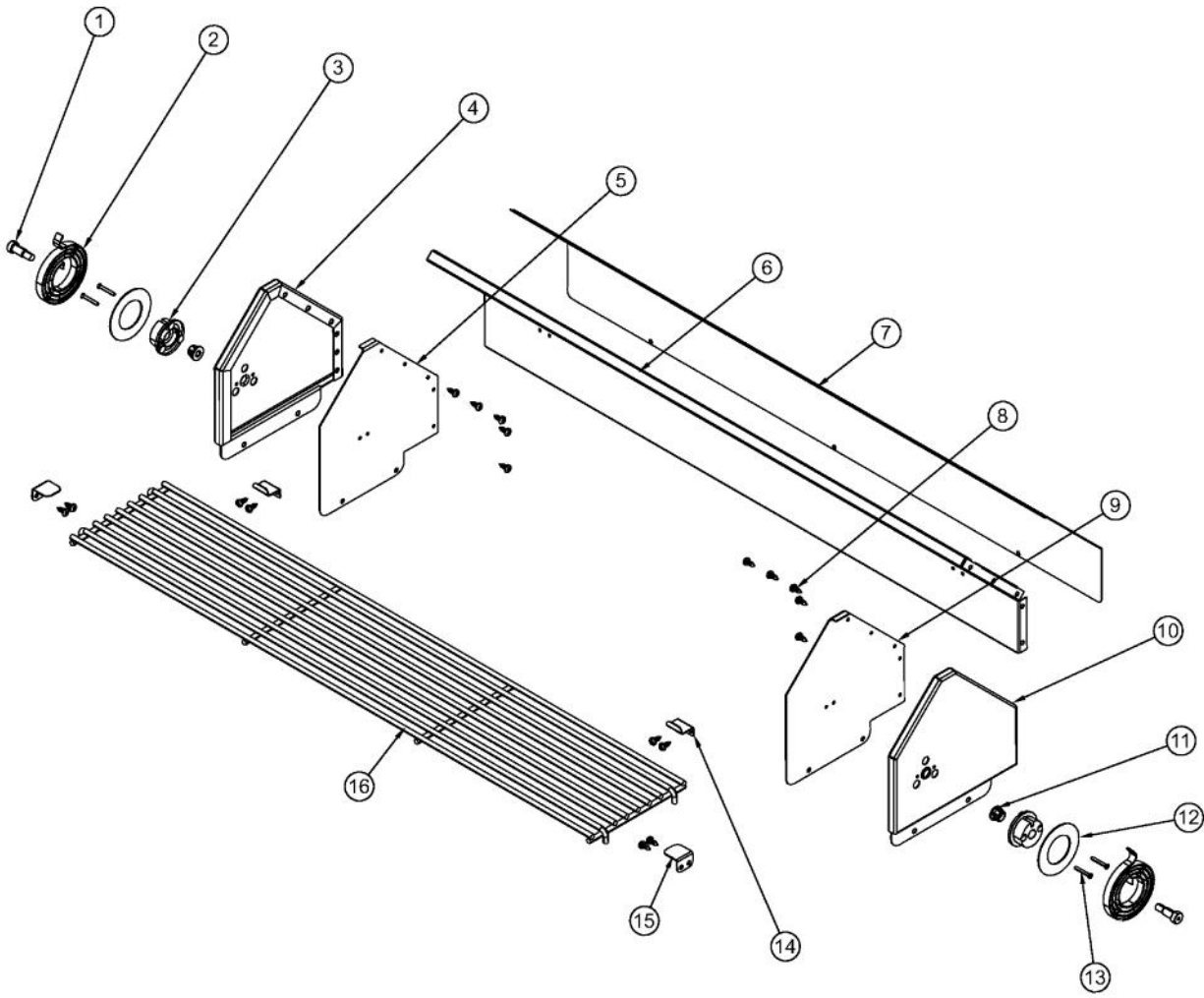
Ref #	Part Number	Qty.	Description
1	PA060052	3	GRILL COOKING GRATES
2	024157-000	3	SHIELD, GRS
3	025653-000	1	LANDING LEDGE
4	002671-000	2	RUBBER DOOR BUMPER
5	025643-000	1	STOP, LID (RH)
6	020051-000	38	SCR, DR, PHLP,PNH, 410SS, NPLT, 10-16 X 1/2
7	023000-000	3	BURNER, GRL, ASM, U
8	NON-SERVICEABLE	1	TUB WELDMENT
9	025667-000	1	FIREBOX, WELD ASM
10	NON-SERVICEABLE	1	TUB WELDMENT
11	PD030050	4	10-24 CAGE NUT SS
12	PD020056	4	NO.10-24 X 1/2 PH.TR. M.S. SS
13	NON-SERVICEABLE	1	TUB WELDMENT
14	025752-000	1	SUPPORT, GRL, FR, 41
15	010328-000	2	10-24 X 1/2 TY F W/HEX WASH
16	PA020036	1	SPARK MODULE
17	B2005250	1	SPARK MODULE BRACKET (PHASE 2)
18	NON-SERVICEABLE	1	TUB WELDMENT
19	004706-000	3	MACHINE SCREW, 6-32 X 3/8, PAN HD, PHILLIPS
20	PB040288	3	SMOKER BURNER IGNITER
21	PB020114	3	FLASH TUBE (VGBQ3002T)
22	025650-000	1	STOP, LID (LH)



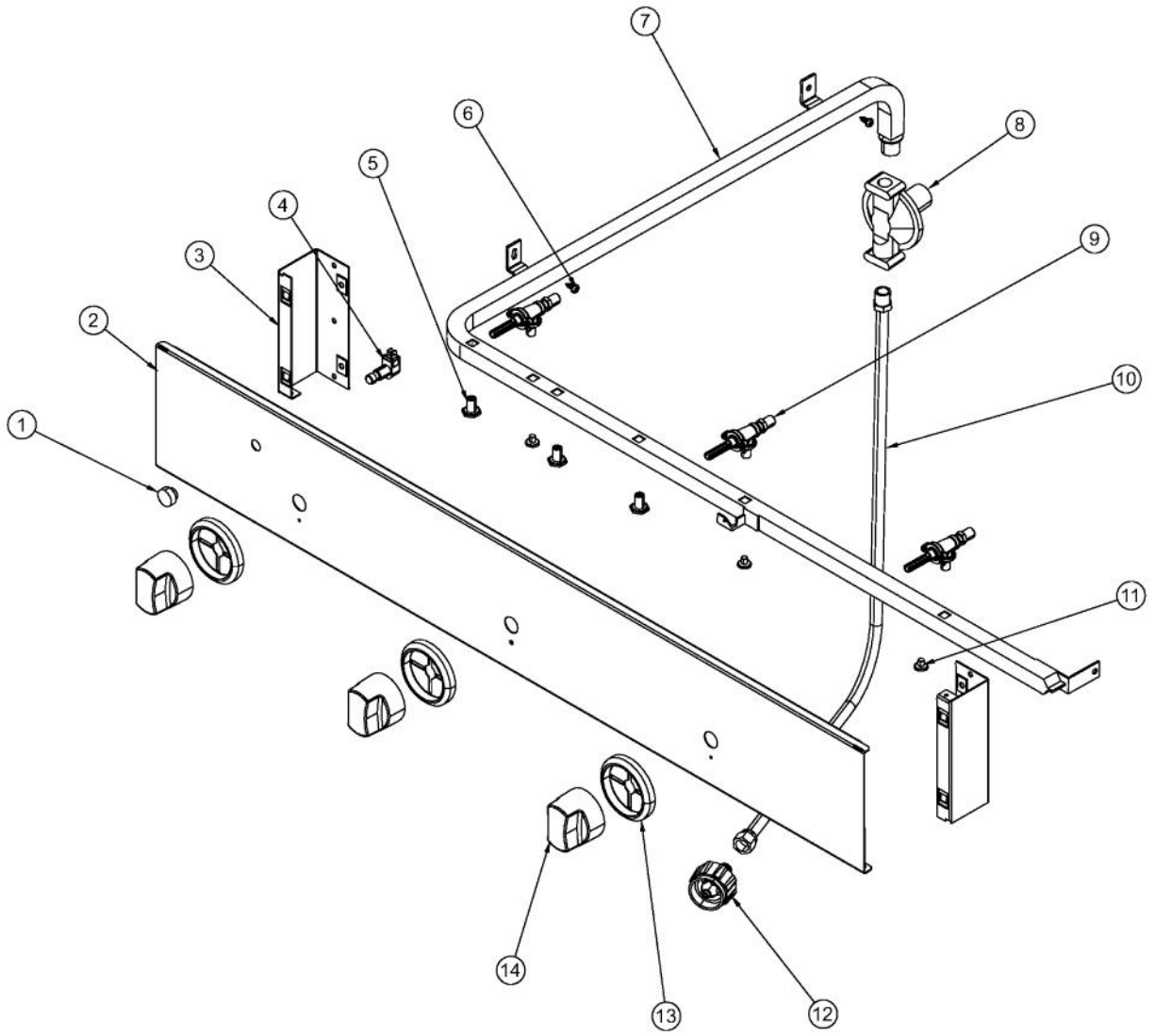
Ref #	Part Number	Qty.	Description
1	NON-SERVICEABLE	1	TUB WELDMENT
2	010328-000	10	10-24 X 1/2 TY F W/HEX WASH
3	003860-000	18	NO.10-18 X .500 FASTNR,SCR,HXWH,STL,ZPLT
4	NON-SERVICEABLE	1	TUB WELDMENT
5	NON-SERVICEABLE	1	TUB WELDMENT
6	026931-000	1	PLUG, BK, NYL, PU SH GROMMET, 2 DIA.
7	PD030050	10	10-24 CAGE NUT SS
8	NON-SERVICEABLE	2	TUB WELDMENT



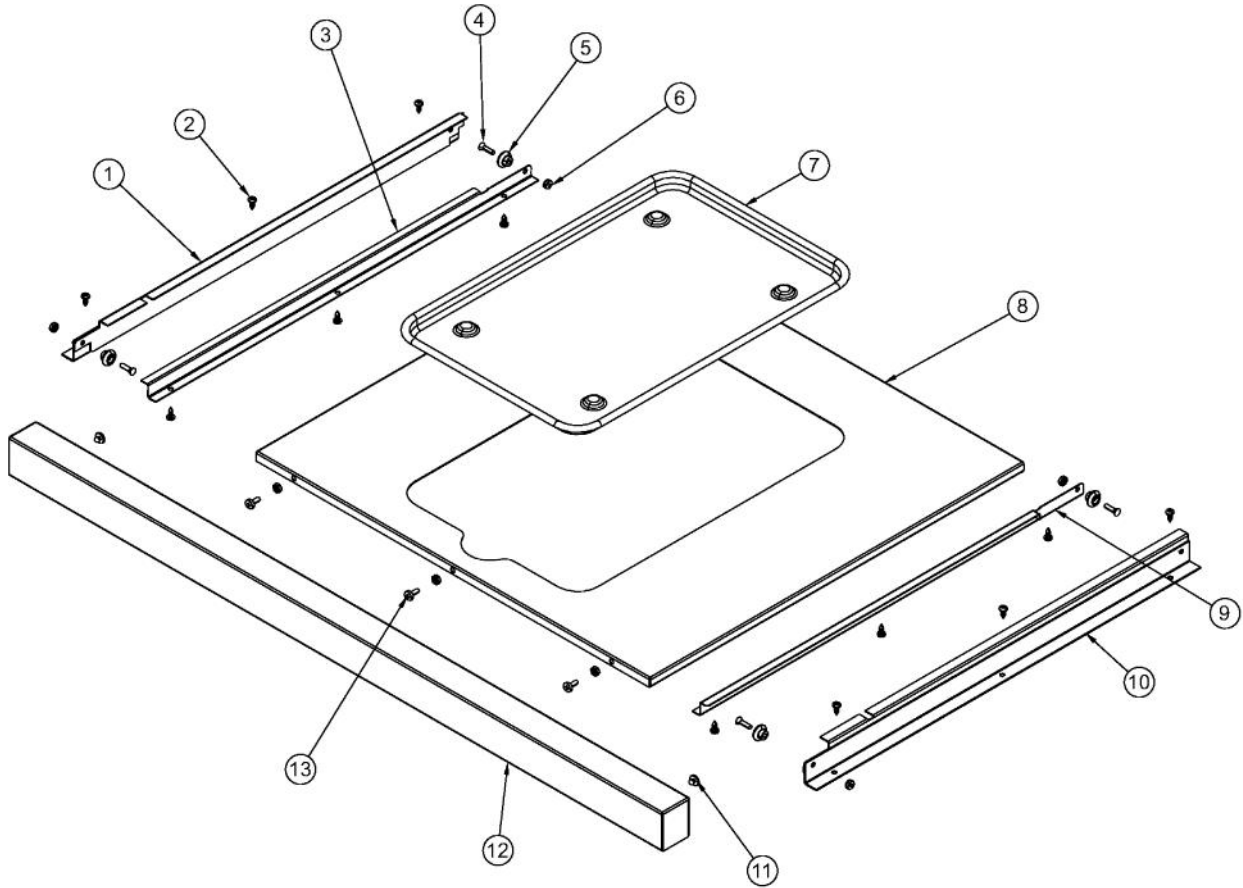
Ref #	Part Number	Qty.	Description
1	025836-000	1	CANOPY, WELD ASM
2	PD020069	4	CAP SCREW 1/4-20 X 3/4 SS
3	PD040160	4	3/8 STEEL WASHER
4	020051-000	17	SCR, DR, PHLP,PNH, 410SS, NPLT, 10-16 X 1/2
5	025669-000	1	LINER, CANOPY (RH)
6	007215-000	1	CANOPY SPRING END MOUNT-RH
7	025648-000	1	LINER, CANOPY, GRILL
8	025670-000	1	LINER, CANOPY (LH)
9	005941-000	1	CANOPY SPRING END MOUNT-LH
10	PE030040	1	DOOR/CNPY HNDLE - RPLCS PE930090
11	020659-000	1	GAUGE, BMTL, TEMPERATURE
12	025682-000	1	FRONTGATE LOGO
13	000268-000	2	HANDLE END CAP ASSY
14	PD040010	2	DOOR HANDLE SPACER
15	026727-000	1	FASTENER, NUT
NI	025646-000	1	CANOPY ASM



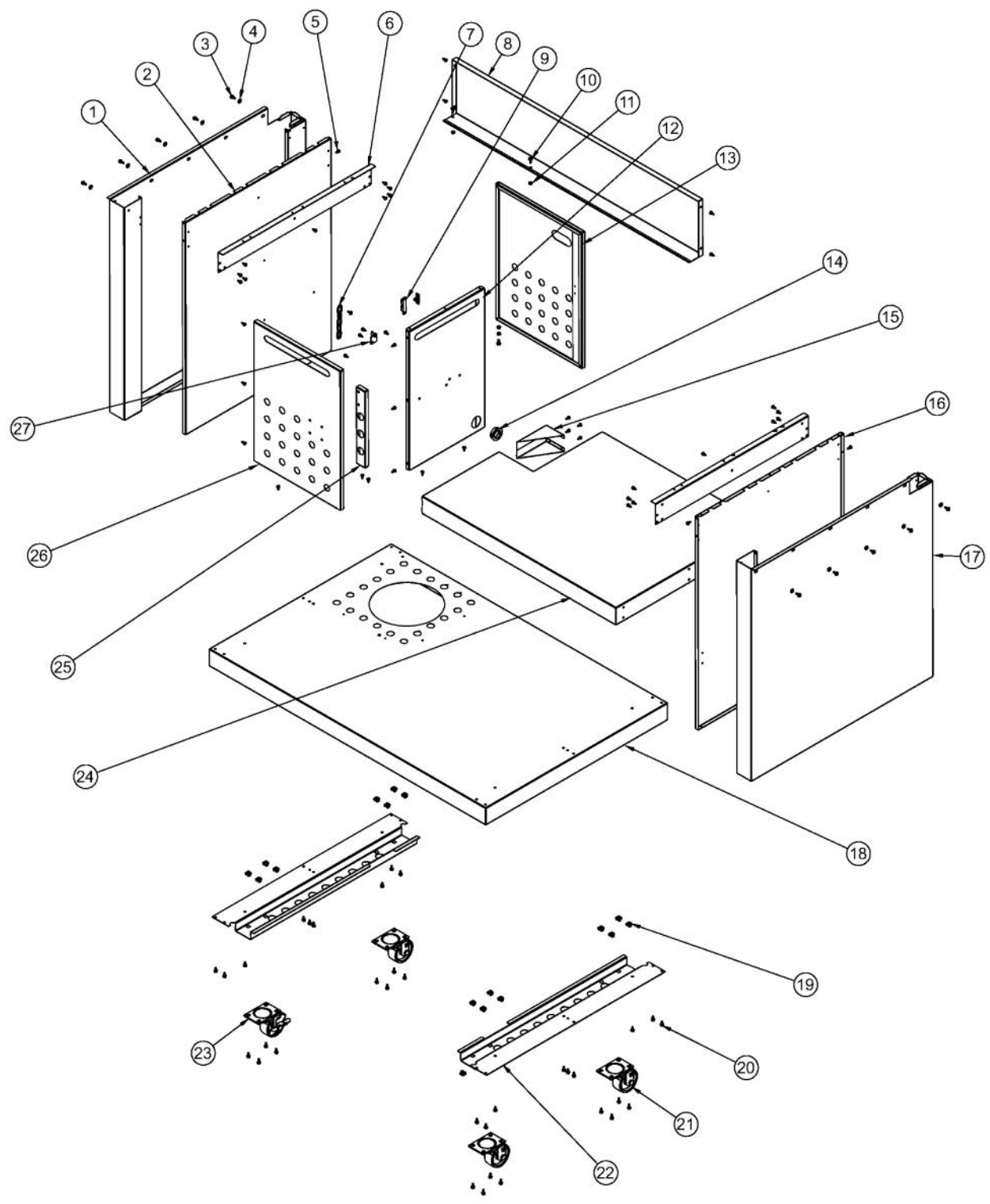
Ref #	Part Number	Qty.	Description
1	PD010043	2	5/16INCH SHOULDER BOLT (PHASE 2)
2	007206-000	2	CANOPY, SPRING, ASSIST- LIGHT
3	005942-000	2	SPRING INDEX
4	025649-000	1	SIDE, TOWER (LH)
5	025638-000	1	LINER, TOWER (LH)
6	025644-000	1	LINER, TOWER
7	025645-000	1	BACK TOWER
8	020051-000	18	SCR, DR, PHLP,PNH, 410SS, NPLT, 10-16 X 1/2
9	025642-000	1	SIDE LINER, TOWER
10	025641-000	1	SIDE TOWER, RH
11	PD030063	2	10-C05-HC 5/16-18 FLANGE NUT
12	007818-000	2	RETAINER, CANOPY SPRING
13	006779-000	4	NO.6-32 X 1.0 SS FLAT HD SCREW
14	025651-000	2	WARMING RACK MOUNT
15	025652-000	2	BRACKET, WARMING RACK
16	PB060056	1	WARMING RACK 41



Ref #	Part Number	Qty.	Description
1	PB010163	1	OVEN LIGHT SWITCH KNOB BK
2	025657-000	1	PANEL, FRONT
3	025666-000	2	MOUNT, VALVE PANEL (LH)
4	PE050063	1	SPARKER SWITCH
5	002884-000	3	MANIFOLD PLUG
6	020051-000	2	SCR, DR, PHLP,PNH, 410SS, NPLT, 10-16 X 1/2
7	025728-000	1	MANIFOLD, GRL, 41
8	PA070007	1	LP TANK REGULATOR (VGBQ)
8	PA070006	1	PRESSURE REGULATOR - NATURAL
9	014953-000	3	VALVE, GAS, ASM, U BNR - LP
9	014952-000	3	VALVE, GAS, ASM, U BNR
10	PB020227	1	HIGH PRESSURE LP HOSE
11	PD010012	3	VALVE BOLT 1/4-20 UNC-2B 5/16 M.S.
12	PA010138	1	CYLINDER CONNECTION
13	PB010304	3	KNOB BEZEL
14	003561-000	3	OUTDOOR GRILL KNOB
NI	PD020056	4	NO.10-24 X 1/2 PH.TR. M.S. SS
NI	PD020046	3	NO.8 X 1/2 SCREWS



Ref #	Part Number	Qty.	Description
1	G3005214	1	DRIP TRAY SLIDE - LH
2	020051-000	12	SCR, DR, PHLP,PNH, 410SS, NPLT, 10-16 X 1/2
3	B2005317	1	DRIP TRAY RUNNER LH (PHASE 2)
4	PD020082	4	10 X 24 COUNTERSUNK S.S. SCREW
5	PC020025	4	DRIP TRAY WHEEL
6	PD030044	7	10-24 KEPS NUT SS
7	PB080061	1	GREASE PAN
8	B2005310	1	DRIP TRAY 41 (VGBQ4103RT)
9	B2005316	1	DRIP TRAY RUNNER RH
10	G3005215	1	DRIP TRAY SLIDE - RH
11	PD040004	2	GROMMET BUMPER
12	B3005314	1	41 DRIP TRAY HANDLE (PHASE 2)
13	PD020056	3	NO.10-24 X 1/2 PH.TR. M.S. SS



Ref #	Part Number	Qty.	Description
1	NON-SERVICEABLE	1	TUB WELDMENT
2	NON-SERVICEABLE	1	TUB WELDMENT
3	010328-000	26	10-24 X 1/2 TY F W/HEX WASH
4	PD040071	10	NO.8-.437 O.D. FLAT WASHER SS
5	020051-000	44	SCR, DR, PHLP,PNH, 410SS, NPLT, 10-16 X 1/2
6	NON-SERVICEABLE	2	TUB WELDMENT
7	PD050008	1	TANK CHAIN (EBQC)
8	NON-SERVICEABLE	1	TUB WELDMENT
9	PE050052	1	LATCH
10	PD020056	3	NO.10-24 X 1/2 PH.TR. M.S. SS
11	PD030044	4	10-24 KEPS NUT SS
12	NON-SERVICEABLE	1	TUB WELDMENT
13	NON-SERVICEABLE	1	TUB WELDMENT
14	026718-000	1	SNAP BUSHING, 1.06 X 1.6 X .453
15	NON-SERVICEABLE	1	TUB WELDMENT
16	NON-SERVICEABLE	1	TUB WELDMENT
17	NON-SERVICEABLE	1	TUB WELDMENT
18	NON-SERVICEABLE	1	TUB WELDMENT
19	PD030050	17	10-24 CAGE NUT SS
20	003860-000	19	NO.10-18 X .500 FASTNR,SCR,HXWH,STL,ZPLT
21	026542-000	3	SWIVEL CASTER
22	NON-SERVICEABLE	2	TUB WELDMENT
23	026541-000	1	SWIVEL CASTER W/BRAKE
24	NON-SERVICEABLE	1	TUB WELDMENT
25	NON-SERVICEABLE	1	TUB WELDMENT
26	NON-SERVICEABLE	1	TUB WELDMENT
27	25668-000	1	ANCHOR, TANK CHAIN

*No Image
Available*

Ref #	Part Number	Qty.	Description
NI	G4006376		WIRE ASSY (VGBQ-T SERIES) 10
NI	G4006384		WIRE ASSY (VGBQ-T SERIES) 7 NOT FIELD REPLACEABLE
NI	G4006379		WIRE ASSY (VGBQ-T SERIES) 25
NI	G40011206		GRILL WIRE
NI	G4001656		SPARK MODULE GROUND WIRE