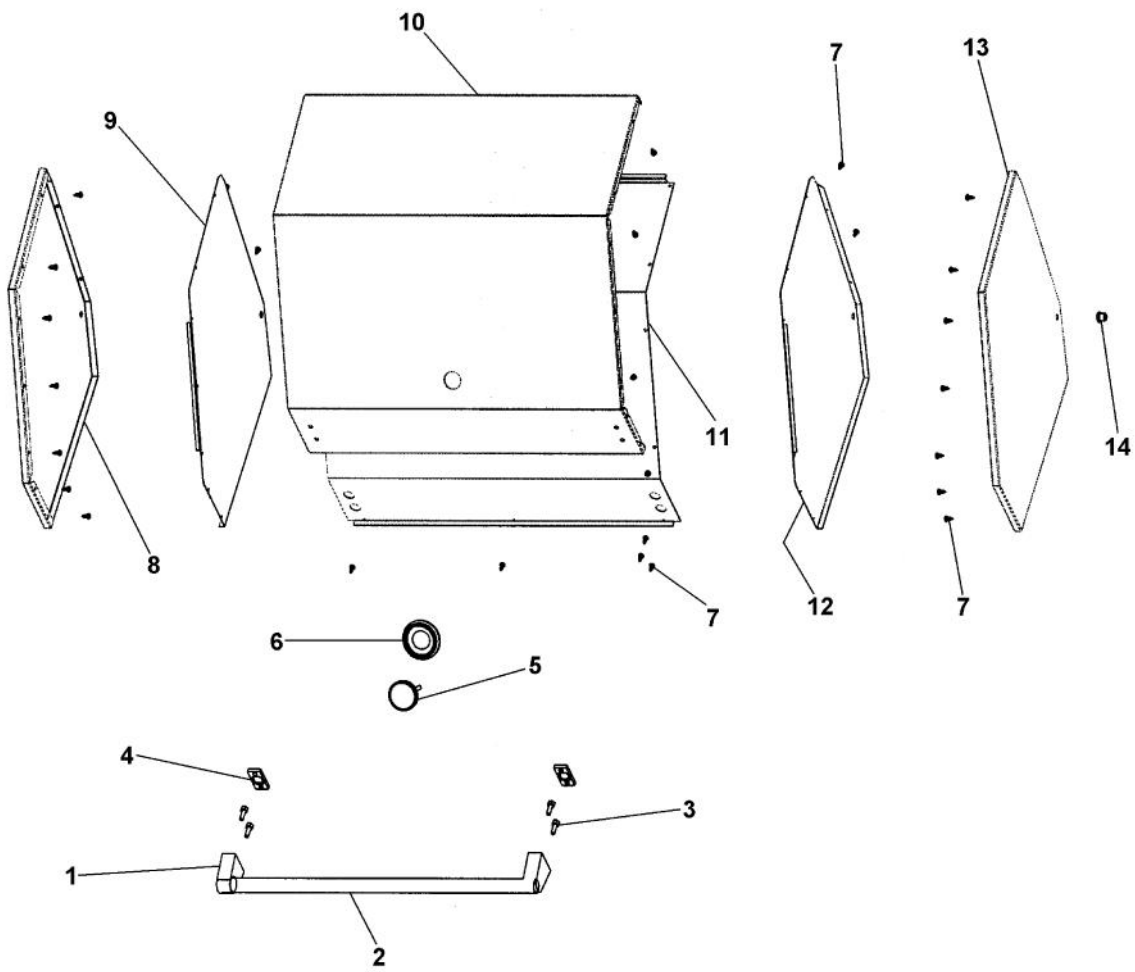
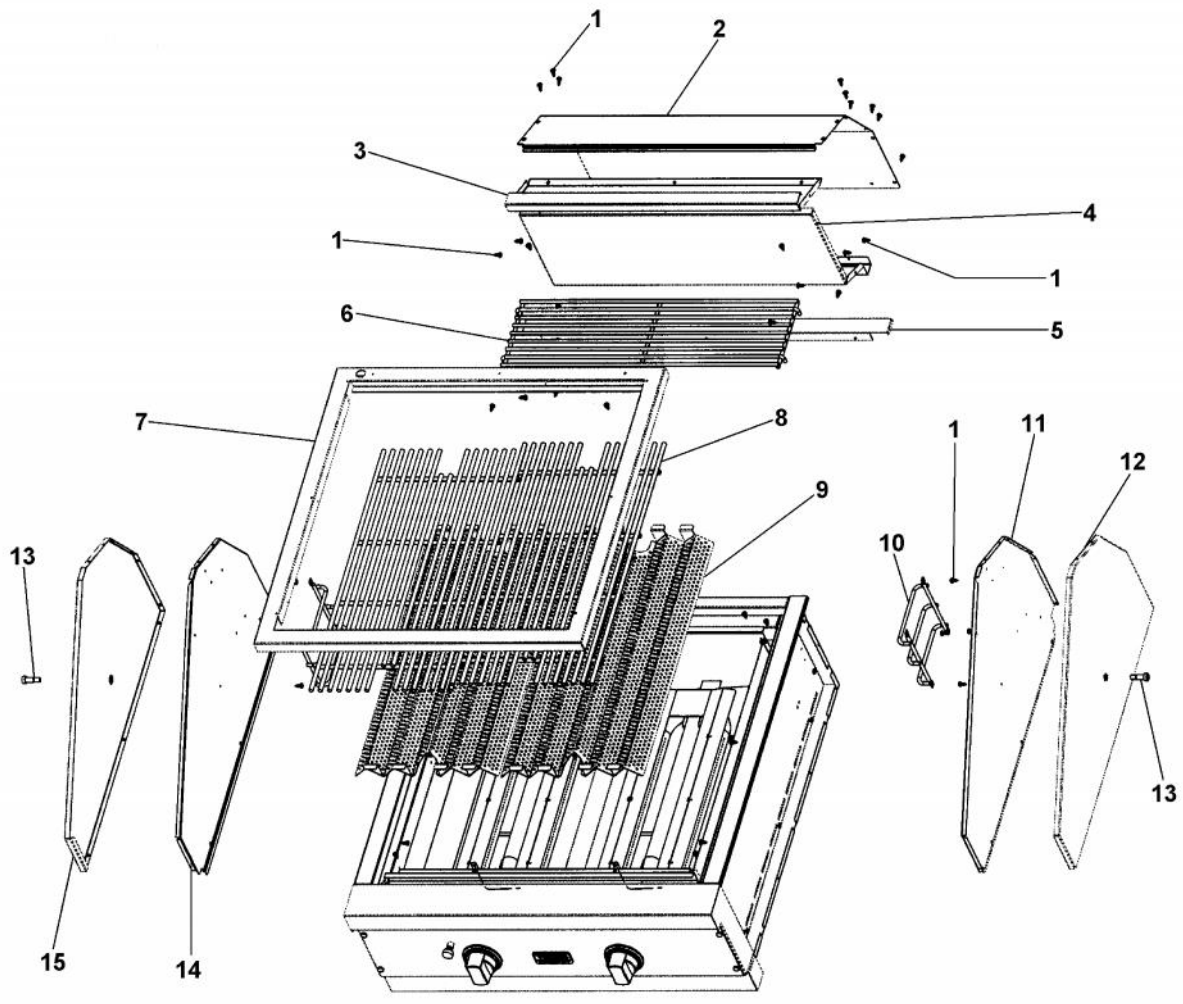


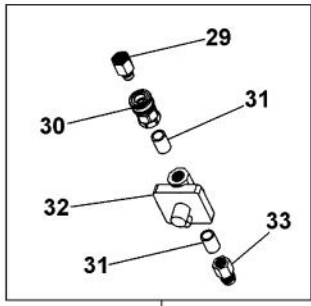
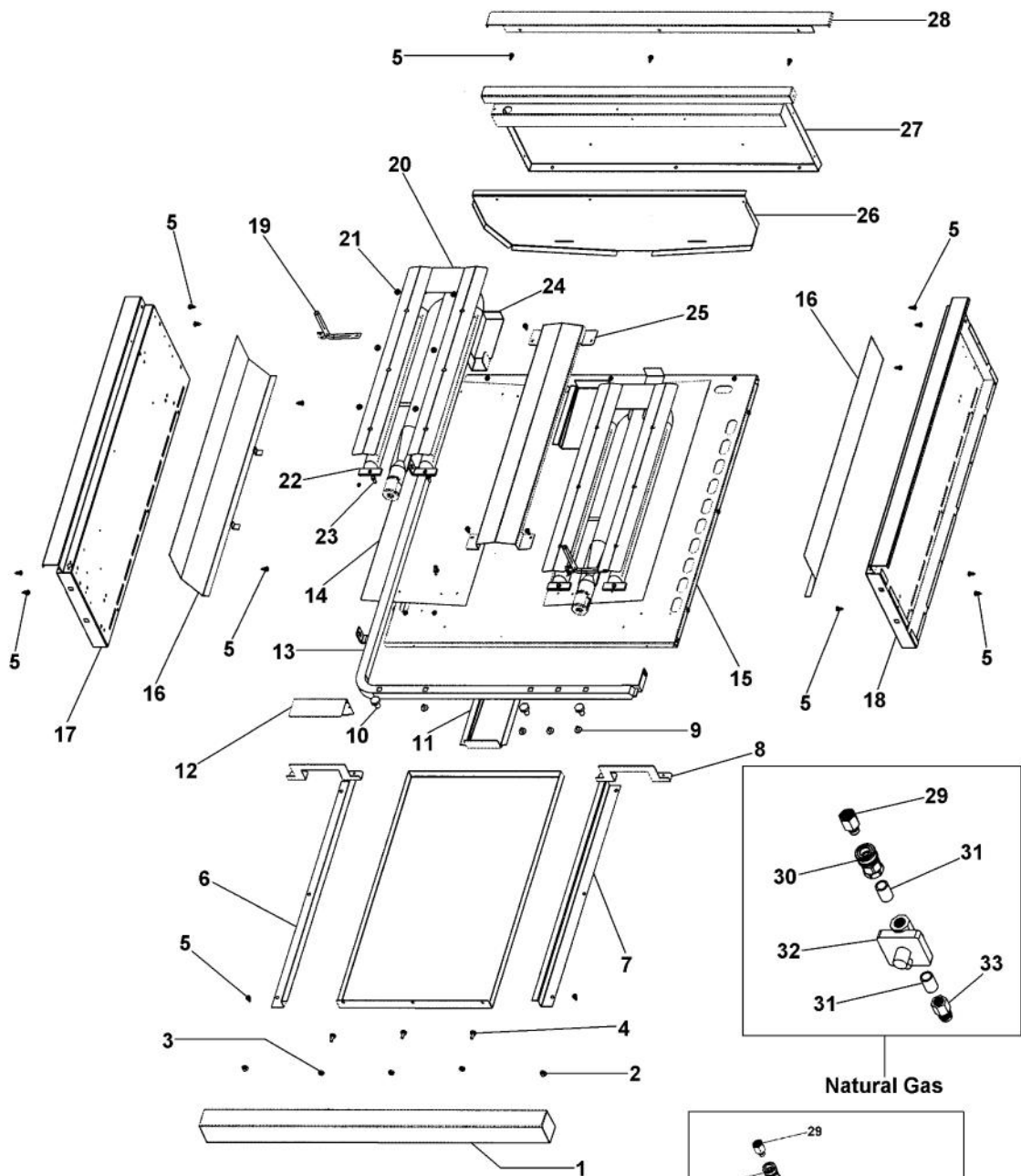
Ref #	Part Number	Qty.	Description
1	PA010126		OUTDOOR GRILL KNOB
2	PE010142		3 LOGO XBKXXCHROME
	PE010143		3 LOGO BK/BR
3	PB010163		OVEN LIGHT SWITCH KNOB BK
4	PD020056		NO.10-24 X 1/2 PH.TR. M.S. SS
5	PE050063		SPARKER SWITCH
6	PB010208		BEZEL, CHROME PLATE
	PB010209		BEZEL BRASS
7	PD030006		CAPPED WASHER PAL NUT
8	B9205323		CTRL PAN (VGBQ3002T) XSLK SCRX
9	PD030050		10-24 CAGE NUT SS
10	PA020036		SPARK MODULE
11	PA010149		SUB TO 003516-000 - GRILL VALVE NAT. (7,600-25,000 BTU)
12	PD020067		NO.6 X 3/8 PAN PHIL. TEK SS
13	G3005223		LANDING LEDGE ASSY 30 (PHASE 2)
14	PB040176		IGNITER
15	B20010597		GRILL BOX FRONT
16	B2005236		BURNER BOX FRONT LH (PHASE 2)



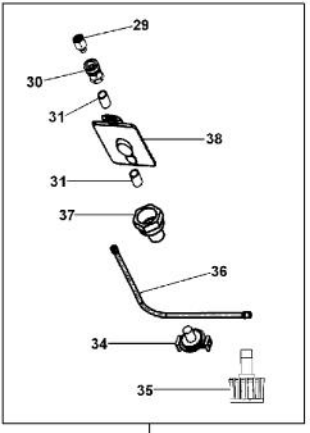
Ref #	Part Number	Qty.	Description
1	PE030001		BRACKET, DOOR, HANDLE
	PE030001PVD		END CAP DOOR HANDLE XBR
2	PE030041		DOOR HANDLE (CANOPY) XSSX (VGBQ30)
	PE030045PVD		CANOPY HANDLE (30) PVD
3	PD020069		CAP SCREW 1/4-20 X 3/4 SS
4	PD040010		DOOR HANDLE SPACER
5	PB010337		GRILL THERMOMETER
6	PB010192		THERMOSTAT BEZEL
	PB010212		THERMOSTAT BEZEL BRASS
7	PD020055		NO.10 X 1/2 PAN PHIL. TEK. SS
8	B3005293		CANOPY END LH (PHASE 2)
9	B2005295		INSIDE CANOPY LH (PHASE 2)
10	B2005298		GRILL CANOPY 30 (PHASE 2)
11	B2005301		CANOPY HEAT SHIELD -(PHASE 2)
12	B2005294		INSIDE CANOPY END RH (PHASE 2)
13	B3005292		CANOPY END RH (PHASE 2)
14	PD030063		10-C05-HC 5/16-18 FLANGE NUT



Ref #	Part Number	Qty.	Description
1	PD020055		NO.10 X 1/2 PAN PHIL. TEK. SS
2	B2005281		REAR COVER - 30 (PHASE 2)
3	E9105393		30`` FRONT HOUSING TOP
4	E91010590		FRONT HOUSING
5	B20010115		GRILL BOX TRIM - 30
6	PB060057		WARMING RACK 30
7	B2005231		GRILL FRAME 30 (PHASE 2)
8	PA060052		GRILL COOKING GRATES
9	PK010061		HALF FLAVOR GRID PHASE 2
10	PB060051		WARMING RACK SUPPORT
11	B20010592		INSIDE WINDSHIELD RH
12	G50010598		OUTSIDE WIND SHIELD ASSY RH
13	PD010043		5/16INCH SHOULDER BOLT (PHASE 2)
14	B20010593		INSIDE WINDSHIELD LH
15	G5005257		OUTSIDE WINDSHIELD ASSY LH

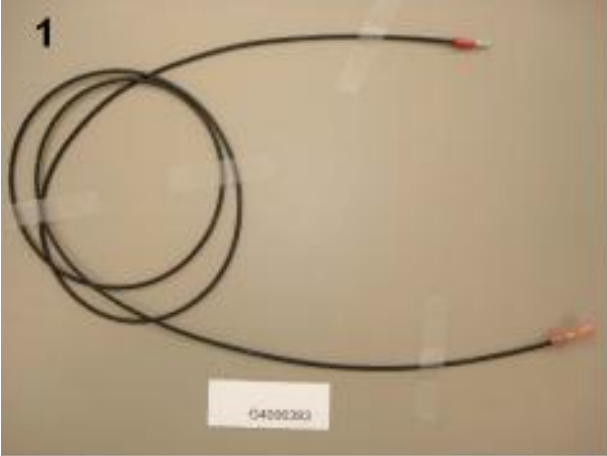


Natural Gas



L.P.

Ref #	Part Number	Qty.	Description
1	B3005315		30 INCH DRIP TRAY HANDLE (PHASE 2)
2	PD040004		GROMMET BUMPER
3	PD030060		NO.10-32 KEPS NUT SS
4	PD020056		NO.10-24 X 1/2 PH.TR. M.S. SS
5	PD020055		NO.10 X 1/2 PAN PHIL. TEK. SS
6	B20010595	1	SLIDE BRACKET
7	B20010595	1	SLIDE BRACKET
8	B2005248		FRONT BURNER BRACKET (PHASE 2)
9	PD010012		VALVE BOLT 1/4-20 UNC-2B 5/16 M.S.
10	PA010012		ROPER PLUG
11	B2005245		BURNER BOX TROUGH
12	B2005250		SPARK MODULE BRACKET (PHASE 2)
13	PA050070		PHASE2 30 MANIFOLD
14	B1005242		BURNER BOX BOTTOM 53
15	B2005202		GRILL BOX BOTTOM 30 (PHASE 2)
16	B2005241		BURNER BOX SIDE (PHASE 2)
17	B2005204		PANEL, GRL, LH
18	B2006306		GRILL BOX SIDE RH NON-ROTIS
19	PB020114		FLASH TUBE (VGBQ3002T)
20	B2004921		BURNER DRIP SHIELD (P1 GRILL)
21	PD030044		10-24 KEPS NUT SS
22	PA080050		GRILL BURNER SS
23	PD020048		NO.10 X 1/2 TEK 410 SS SCREW
24	B2005249		REAR BURNER BRACKET (PHASE 2)
25	B2005246		BURNER BOX SHIELD (PHASE 2)
26	B2005240		BURNER BOX BACK 53 LH (PHASE 2)
27	B2005207		GRILL BOX BACK 30 (PHASE 2)
28	B20010115		GRILL BOX TRIM - 30
29	PB040167		MALE COUPLER (PHASE 1 GRILL)
30	PB040166		FEMALE COUPLER (PHASE 1 GRILL)
31	PB040046		1/2 CLOSE NIPPLE (VGSO166)
32	PA070006		PRESSURE REGULATOR - NATURAL
33	PB020239		7/8 FLARE TO 1/2 FEMALE CONNECTOR
34	PA070007		LP TANK REGULATOR (VGBQ)
35	PA010138		CYLINDER CONNECTION
36	PB020227		HIGH PRESSURE LP HOSE
37	PB040146		1/2 X 3/8 FLARE ADAPTER (VGBQ)
38	PA070005		PRESSURE REG.(LP) RV47L-77-10.0
No.	000645-000		ENCLOSURE FUEL CATCH - LH



Ref #	Part Number	Qty.	Description
1	G4006383		WIRE ASSY (VGBQ-T SERIES) 50
2	G4006378		WIRE ASSY (VGBQ-T SERIES) 25
3	G4006376		WIRE ASSY (VGBQ-T SERIES) 10
4	G4006380		WIRE ASSY (VGBQ-T SERIES) 15