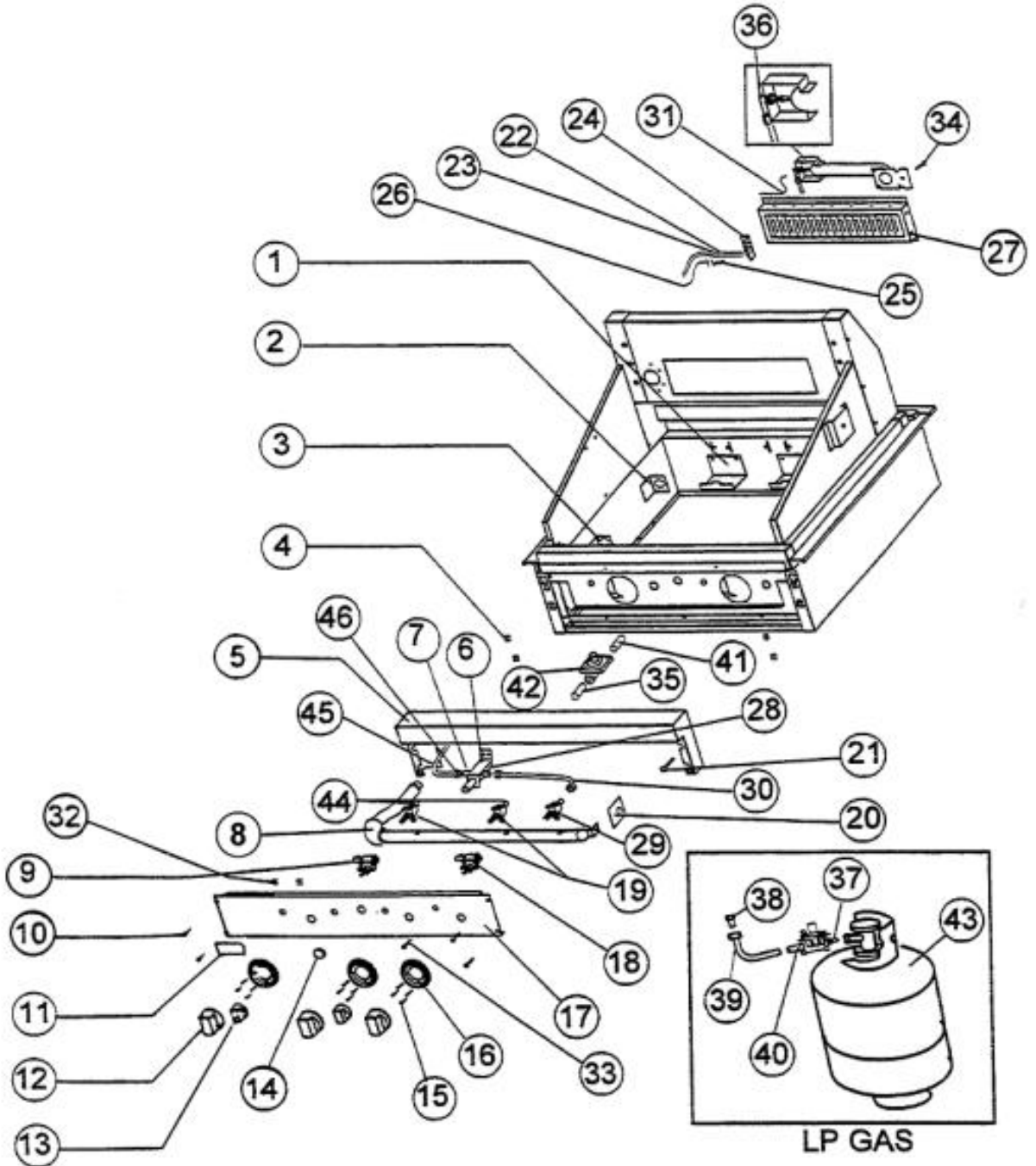
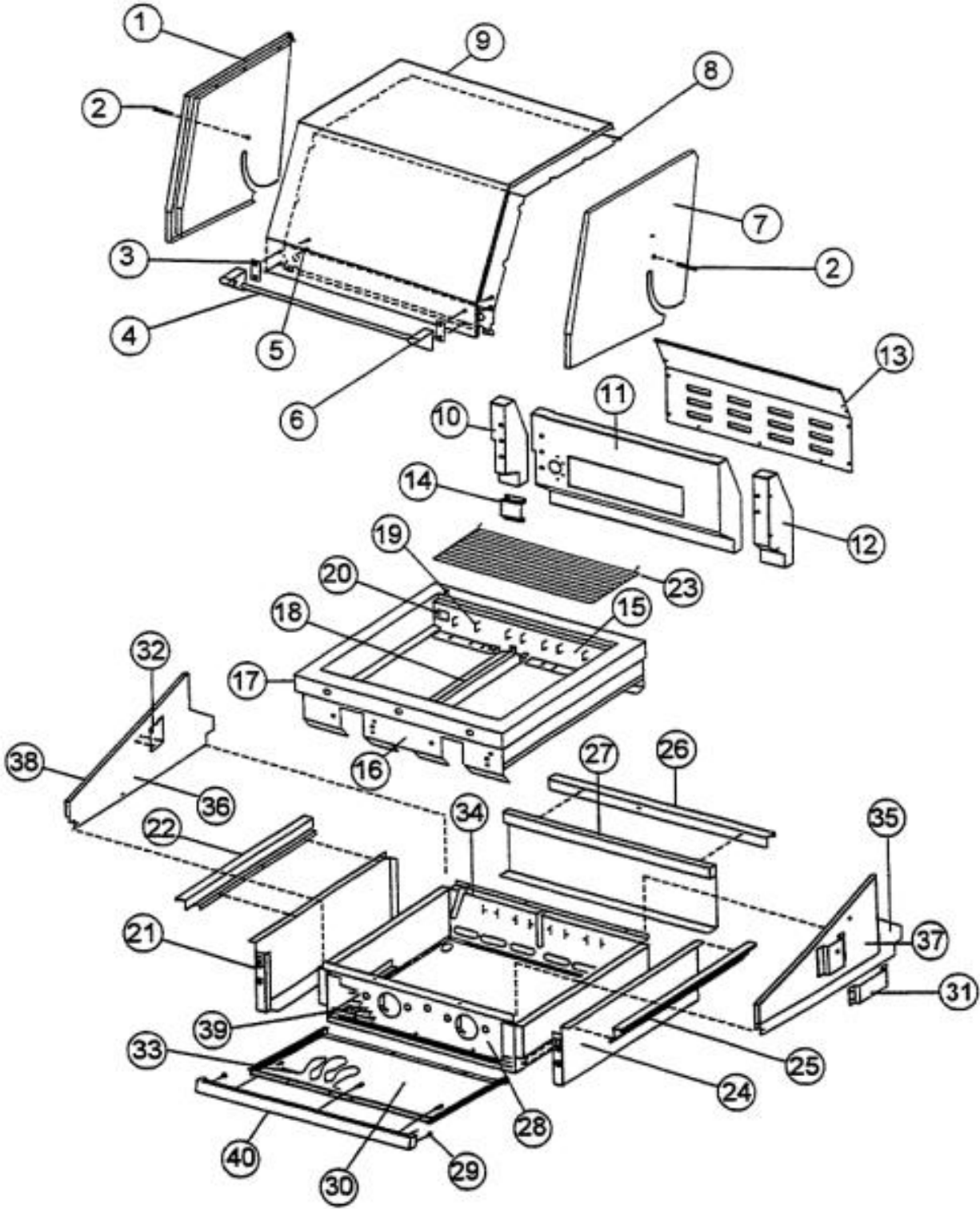


Ref #	Part Number	Qty.	Description
1	PB060028		GRILL GRATES
2	E9103271		SUB TO B2007409
3	PB080002		BROILER PAN
4	G5004548		SS BURNER KIT REP PA080035
5	G3203346		ROTIS ASSY S
6	B2003273		IGNITOR COVERS (VGBQ)
7	PB040122		IGNITOR FOR (BBQ GRILL) (1647-89)
8	B2003270		BURNER DRIP SHIELD (VGBQ)
9	PE030039		SPIT HANDLE (ROT. BBQ GRILL)
10	PB060033		SPIT ROD ROTIS 30 BBQ GRILL
11	PB060058		SPIT FORK
12	PE070184		ROTISSERIE MOTOR
13	PE070189		ELECTRICAL SUPPLY CORD - BBQ GRILL
NI	000645-000		ENCLOSURE FUEL CATCH - LH



Ref #	Part Number	Qty.	Description
1	B2003272		BURNER BRKT (VGBQ)
2	B2003545		MANIFOLD MOUNTING BRKT (REAR)
3	B2003507		MANIFOLD MOUNTING BRKT (FRONT)
4	PD030050		10-24 CAGE NUT SS
5	G3003205		LANDING LEDGE ASSY - 30 BBQ GRILL
6	B2003261		VALVE BRKT - BBQ GRILL W/ ROTIS.
7	PB010158		SAFETY VALVE -(IR) (BBQ GRILL)
8	PB040130	1	90 DEG. (1/2) FEMALE ELBOW
8	PB040052	1	PIPE NIPPLE - 22 (VGBQ)
8	PA050054	1	MANIFOLD 30 BBQ GRILL
9	PA020023		DUAL OUTPUT IGNITION SWITCH-(VGBQ) 1691-04
10	PD020056		NO.10-24 X 1/2 PH.TR. M.S. SS
11	PE010142		3 LOGO XBKXXCHROME
	PE010143		3 LOGO BK/BR
12	PA010039		TOP GRILL KNOBXBKX (VGRC) (N/STYLE
13	PB010156		IGNITION SWITCH KNOB (BBQ GRILL) 1390-16
14	PB010159		SAFETY VALVE KNOB
15	PD020067		NO.6 X 3/8 PAN PHIL. TEK SS
16	PB010171		BEZEL - SS
	PB010172		BEZEL NEW BR REPL PB010107
17	B9203288		CTRL PAN (VGBQ3002R) XSLK SCRX
	B9203220		CTRL PAN (VGBQ3002) XSLK SCRX
18	PA020022		SINGLE OUTPUT IGNITION SWITCH-(VGBQ (1691.06)
19	PA010053		GRILL VALVE (BBQ GRILL)(NAT.)
	PA010054		GRILL VALVE (BBQ GRILL)(LP)
20	B1001138		MANIFOLD BRKT XSSX (VGBQ)
21	PD020056		NO.10-24 X 1/2 PH.TR. M.S. SS
22	PB010162		THERMOCOUPLE - BBQ GRILL W/ ROTIS
23	PD030048		THERMOCOUPLE NUT M08-VGBQ-8743300007
24	B2003218		CANOPY HEAT SHIELD BBQ GRILL 30
25	PB040122		IGNITOR FOR (BBQ GRILL) (1647-89)
26	G4003385		WIRING I/R BURNER 60
27	G3103323		IR ASSY - 30 BBQ GRILL
28	PD030049		SAFTY VALVE NUT M12-VGBQ-8743300010
29	PA010066		ROTIS VALVE (NAT.) (VGBQ)
	PA010067		ROTIS VALVE (LP) (VGBQ)
30	F2003506		SUB TO PB020095 - TUBING (ROTIS SPARK
31	G4003385		WIRING I/R BURNER 60
32	PD030006		CAPPED WASHER PAL NUT
33	PD020062		NO.8-32 X 3/8 PHMS TYPE 1
34	PD040125		SUB TO PD020004 - 10X3/8 PH HD
35	PB040046		1/2 CLOSE NIPPLE (VGSO166)
36	PB040144		ORIFICE BURNER 90D 15IR NO.52 HD RED
	PB040145		LP IR ELBOW VGBQ NO.62 HD BLACK
37	PB040147		5LPA-10C PLUG (VGBQ LP)
38	PB040146		1/2 X 3/8 FLARE ADAPTER (VGBQ)
39	PB020227		HIGH PRESSURE LP HOSE
40	PA070007		LP TANK REGULATOR (VGBQ)
41	PA050053		UNIVERSAL MANIFOLDXBUX
42	PA070006		PRESSURE REGULATOR - NATURAL
	PA070005		PRESSURE REG.(LP) RV47L-77-10.0
43	N/A		HEAT SHIELD - MUST ORDER ITEM NO. 11
44	PB040078		ORIFICE HOOD-NO.44 (NAT.)
	PB040068		ORIFICE HOOD-NO.55 (LP)
45	F2003505		TUBING - SAFETY VALVE TO I/R ORIFICE
46	PB040129		FTG.-ELBOW, 1/8NPT-5/16C.C.



Ref #	Part Number	Qty.	Description
1	H3003763		CANOPY END SUBASSY LH BBQ
2	PD010034		3/8 X 1 SHOULDER BOLT SS
3	PD040010		DOOR HANDLE SPACER
4	PE030041		DOOR HANDLE (CANOPY) XSSX (VGBQ30)
	PE030045PVD		CANOPY HANDLE (30) PVD
5	PD020059		1/4-20 X 1/2 CAP SCREW SS
6	PE030001		BRACKET, DOOR, HANDLE
	PE030001PVD		END CAP DOOR HANDLE XBR
7	H3003762		CANOPY END SUBASSY RH BBQ
8	B2003218		CANOPY HEAT SHIELD BBQ GRILL 30
9	B2003217		CANOPY BODY BBQ GRILL 30
	B9003217FG		CANOPY BODY XFGX
	B9003217VB		CANOPY BODY XVBX
10	B3003321		IR SUPT END LH - BBQ GRILL
11	G9103274		IR HOUSING ASSY - 30 BBQ GRILL
	E9103213		IR HOUSING(NO ROTIS.)30 BBQ GRILL
12	B3003320		IR SUPT END RH - BBQ GRILL
13	B2003214		REAR COVER BBQ GRILL 30
14	B2003319		THERMOCOUPLE / IGN. COVER-BBQ GRILL
15	B2003211		REAR SHIELD BBQ GRILL 30
16	B2003210		FRONT SHIELD BBQ GRILL 30
17	B2004032		HOOD FRONT (VWH6078)
18	B2003791		CENTER SHIELD (VGBQ)
19	B2001147		GRATE SUPT ANGLE (VGBQ) XSSX
20	NOT REPLACEABLE		OVEN CAVITY (NOT REPLACEABLE PART)
21	B2003242		SIDE PANEL LH BBQ GRILL 48
22	B2003244		SIDE TRIM CAB. LH BBQ GRILL 48
23	PB060032		WARMING RACK
24	B2003241		SIDE PANEL RH BBQ GRILL 48
25	B2003243		SIDE TRIM CAB. RH BBQ GRILL 48
26	B3003204		SUB TO B2003204 - REAR PANEL - BBQ GRILL
27	B2003215		REAR TRIM BBQ GRILL 30
28	B2003203		FRONT SUPT BBQ GRILL 30
29	PD040004		GROMMET BUMPER
30	B3003219		DRIP TRAY BBQ GRILL 30
31	B2003306		ROTIS MOUNTING BRKT-BBQ
32	B2003307		ROTIS SADDLE - BBQ GRILL
33	G5004200		LIGHTING WAND ASSY (VGBQ)
34	B2003202		REAR SUPT BBQ GRILL 30
35	B2004235		INSIDE WIND SHIELD R.H.
36	B2004236		INSIDE WIND SHIELD L.H.
37	G3003302		O/S WINDSHIELD RH-BBQ GRILL
38	G3003303		O/S WINDSHIELD LH-BBQ GRILL
39	NOT REPLACEABLE		OVEN CAVITY (NOT REPLACEABLE PART)
40	B3003221		DRIP TRAY HANDLE - BBQ GRILL