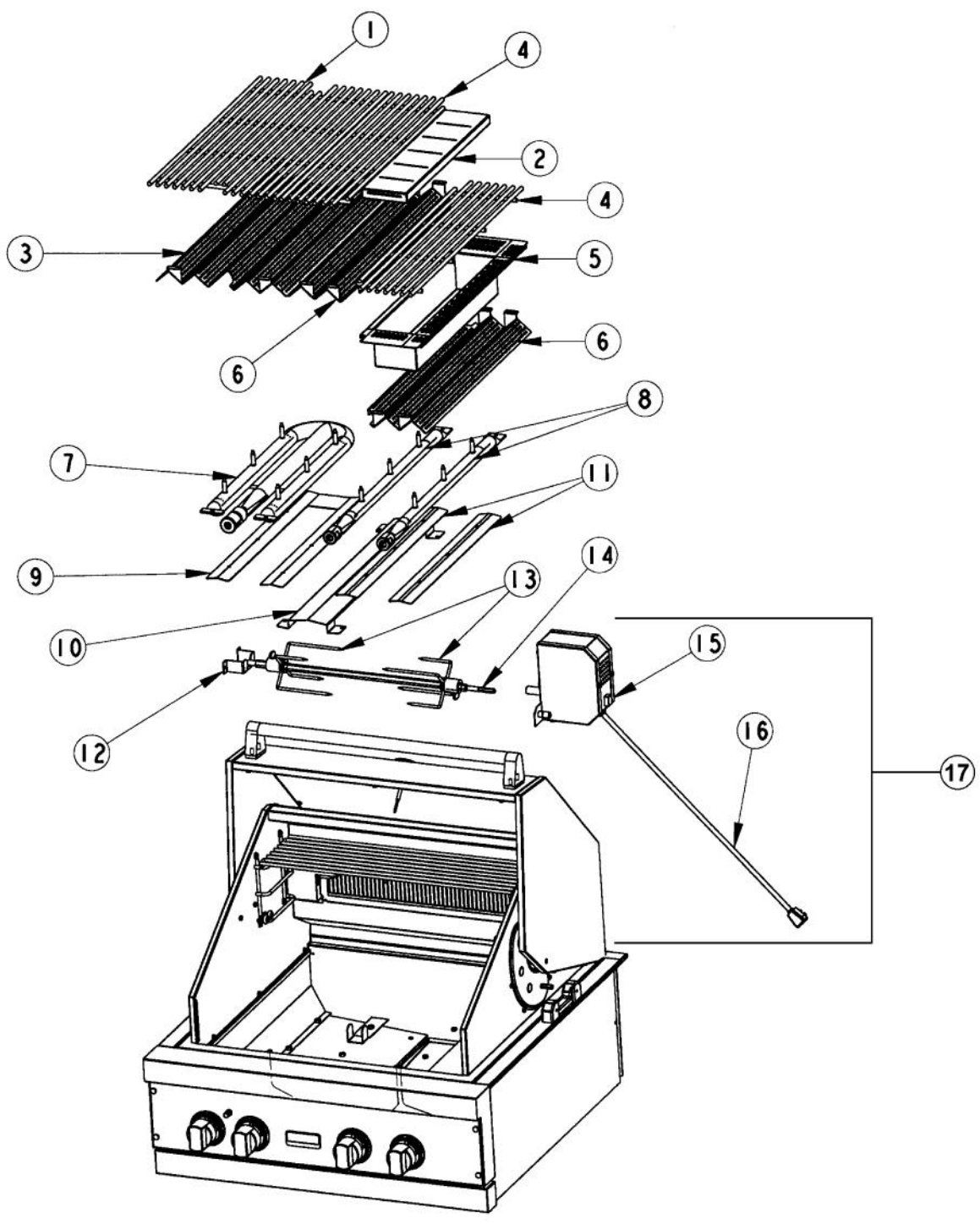
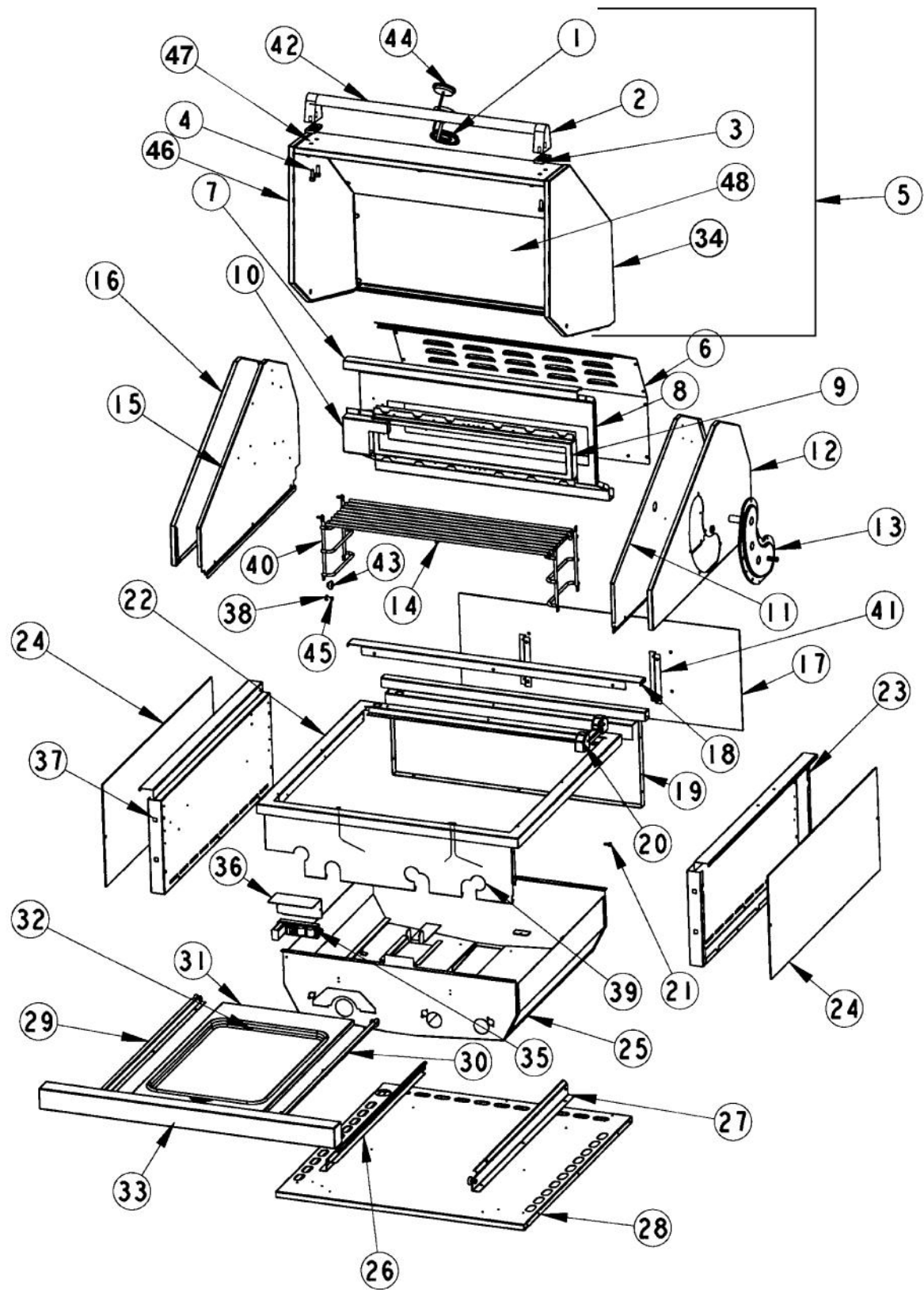


Functional Parts

Ref #	Part Number	Qty.	Description
1	PE070189		ELECTRICAL SUPPLY CORD - BBQ GRILL
2	G3105387		GEAR BOX ASSEMBLY
3	PA080050		GRILL BURNER SS
4	PB040176		GRILL BURNER IGNITOR
5	PB010194		GRILL THERMOETER (PHASE II GRILLS)
6	PA010150		SUB TO 003538-000 - GRILL VALVE L.P. (13,000-22,500 BTU)
	G50010143		GRILL VALVE/KNOB SERVICE KIT (L.P.)
7	PA010149		SUB TO 003516-000 - GRILL VALVE NAT. (7,600-25,000 BTU)
	G50010142		GRILL VALVE/KNOB SERVICE KIT (NAT.)
8	G3005289		BURNER,ASM,,ASM,IR,20
9	PB040122		IGNITOR FOR (BBQ GRILL) (1647-89)
10	PB010191		I.R. SAFETY VALVE (PHASE II GRILLS)
	PB010220		I.R. SAFETY VALVE LP
11	PE070184		ROTISSERIE MOTOR
12	PA080051		SMOKER/GRILL BURNER
13	PB040179		SMOKER SPARK IGNITOR
14	PA010154		SUB TO 003573-000 - GRILL VALVE L.P. (5,000-10,500 BTU)
	G50010145		SMOKER VALVE/KNOB SERVICE KIT (L.P.)
15	PA010153		SUB TO 003533-000 - GRILL VALVE NAT. (5,000-12,500 BTU)
	G50010144		SMOKER VALVE/KNOB SERVICE KIT (NAT.)
16	PA020036		SPARK MODULE
	G5007971		SPARK MODULE KIT
17	PE050063		SPARKER SWITCH

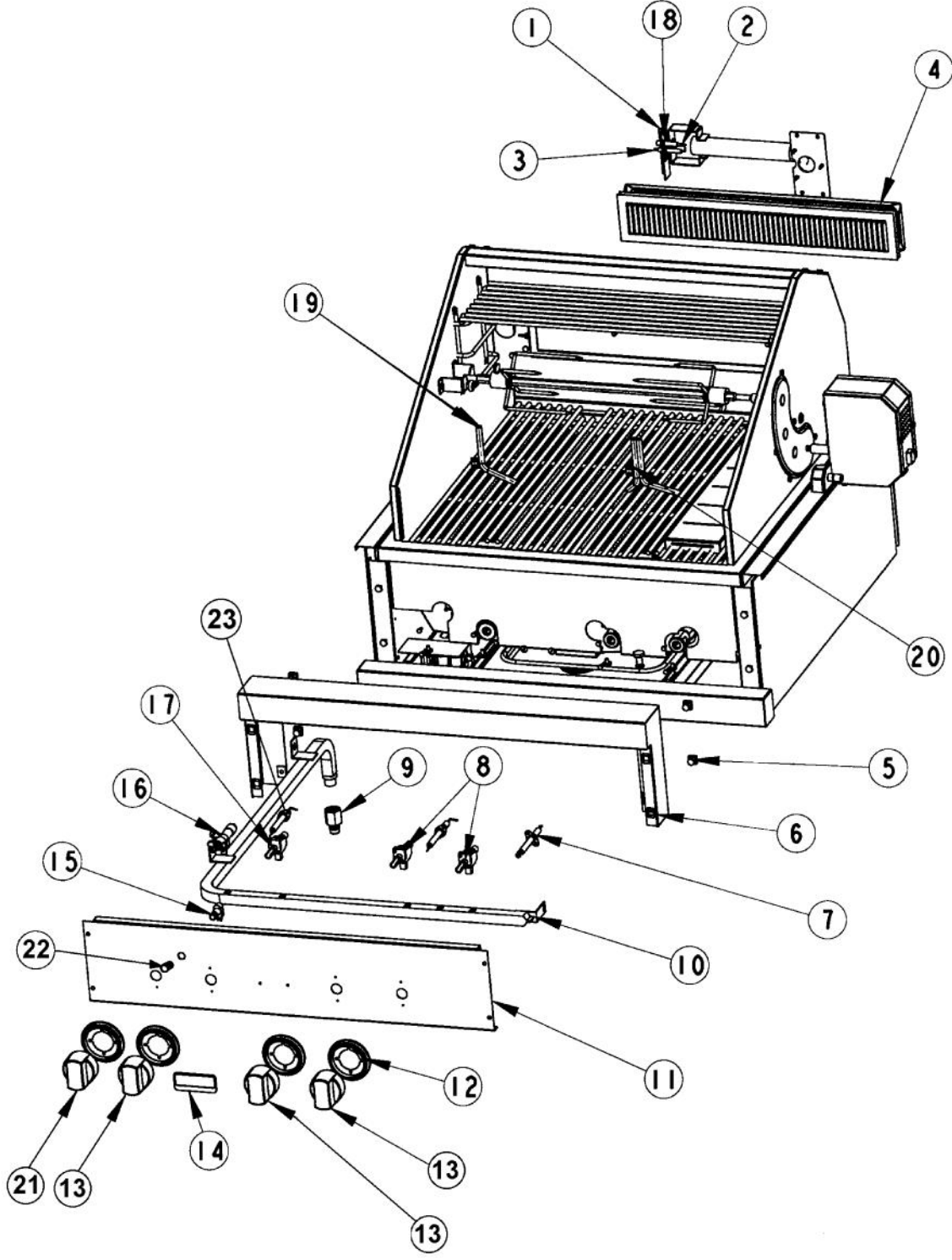


Ref #	Part Number	Qty.	Description
1	PA060052		GRILL COOKING GRATES
2	B3005325		SUB TO G3005350
3	G5009726		HALF FLAVOR GRID KIT
4	PA060053		HALF GRILL GRATE
5	B2005326		SUB TO G3005350 - SMOKER BTM
6	PK010061		HALF FLAVOR GRID PHASE 2
7	PA080050		GRILL BURNER SS
8	PA080051		SMOKER/GRILL BURNER
9	B2004921		BURNER DRIP SHIELD (P1 GRILL)
10	B2005246		BURNER BOX SHIELD (PHASE 2)
11	B2005324		SMOKER DRIP SHIELD
12	B2005278		ROTISSERIE ROLLER BRACKET (PHASE 2)
13	PB060058		SPIT FORK
14	PB060054		ROTIS SPIT ROD 30
15	PE070184		ROTISSERIE MOTOR
16	PE070189		ELECTRICAL SUPPLY CORD - BBQ GRILL
17	G3205282		ROTIS MOTOR ASSEMBLY (PHASE 2)
No.	G3005350		SMOKER BOX ASSY (VGBQ3002RT)
			INCLUDES:
			SMOKER BOX TOP (ITEM No.2)
			SMOKER BOX BOTTOM (ITEM No.5)
			SMOKER BOX HINGE
			STEAMER RACK

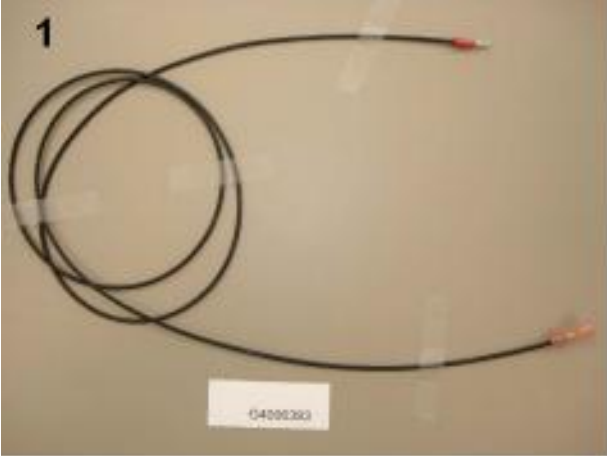


Ref #	Part Number	Qty.	Description
1	PB010192		THERMOSTAT BEZEL
	PB010212		THERMOSTAT BEZEL BRASS
2	PE030001		BRACKET, DOOR, HANDLE
	PE030001PVD		END CAP DOOR HANDLE XBR
3	PD040010		DOOR HANDLE SPACER
4	PD020069		CAP SCREW 1/4-20 X 3/4 SS
5	G3205304FG		CANOPY ASSY 30 (P2 GRILL) XFGX
	G3205304FGBR		CANOPY ASSY 30 (P2 GRILL) XFGXBRX
	G3205304GG		CANOPY ASSY 30 (P2 GRILL) XGGX
	G3205304GGBR		CANOPY ASSY 30 (P2 GRILL) XGGXBRX
	G3205304SS		CANOPY ASSY 30 (P2 GRILL) XSSX
	G3205304SSBR		CANOPY ASSY 30 (P2 GRILL) XSSXBRX
	G3205304VB		CANOPY ASSY 30 (P2 GRILL) XVBX
	G3205304VBBR		CANOPY ASSY 30 (P2 GRILL) XVBXBRX
6	B2005281		REAR COVER - 30 (PHASE 2)
7	E9105393		30`` FRONT HOUSING TOP
8	G9105329		FRONT HOUSING ASSEMBLY
9	B2005347		INFRARED FRAME
10	B2005273		I/R IGNITOR COVER LH (PHASE 2)
11	B2005263		INSIDE WINDSHIELD RH (PHASE 2)
12	G5005256		OUTSIDE WINDSHIELD ASSY RH
13	G3105387		GEAR BOX ASSEMBLY
14	PB060057		WARMING RACK 30
15	B2005264		INSIDE WINDSHIELD RH
16	G5005257		OUTSIDE WINDSHIELD ASSY LH
17	L1005399		REAR HEAT SHIELD 30``
18	B2005210		GRILL BOX TRIM 30 (PHASE 2)
19	B2005207		GRILL BOX BACK 30 (PHASE 2)
20	PB060055		ROTISSERIE MOUNT CASTING
21	PD020055		NO.10 X 1/2 PAN PHIL. TEK. SS
22	B2005231		GRILL FRAME 30 (PHASE 2)
23	B2005203		GRILL BOX SIDE RH (PHASE 2)
24	L1005398		SIDE HEAT SHIELD
25	G3005232		BURNER BOX ASSY 53RH (PHASE 2)
26	G3005214		DRIP TRAY SLIDE - LH
27	G3005215		DRIP TRAY SLIDE - RH
28	B2005202		GRILL BOX BOTTOM 30 (PHASE 2)
29	B2005317		DRIP TRAY RUNNER LH (PHASE 2)
30	B2005316		DRIP TRAY RUNNER RH
31	B2005312		DRIP TRAY 30 (PHASE 2)
32	J2101749		GREASE PAN
33	PK010066		DRIP TRAY HANDLE (VGBQ30) T SERIES
34	B3005292		CANOPY END RH (PHASE 2)
35	PA020036		SPARK MODULE
	G5007971		SPARK MODULE KIT
36	B2005250		SPARK MODULE BRACKET (PHASE 2)
37	B2005204		PANEL, GRL, LH
38	PD030044		10-24 KEPS NUT SS
39	B2005220		GRILL BOX FRONT 30 (PHASE 2) W/ROTI
40	PB060051		WARMING RACK SUPPORT
41	B2006305		HEAT SHIELD BRACKET
42	PE030041		DOOR HANDLE (CANOPY) XSSX (VGBQ30)
	PE030045PVD		CANOPY HANDLE (30) PVD
43	PC020025		DRIP TRAY WHEEL
44	PB010337		GRILL THERMOMETER
45	PD020082		10 X 24 COUNTERSUNK S.S. SCREW
No.	G4006383		WIRE ASSY (VGBQ-T SERIES) 50
No.	G4006378		WIRE ASSY (VGBQ-T SERIES) 25
No.	G4006376		WIRE ASSY (VGBQ-T SERIES) 10
No.	G4006380		WIRE ASSY (VGBQ-T SERIES) 15

Ref #	Part Number	Qty.	Description
No.	G4006380		WIRE ASSY (VGBQ-T SERIES) 15
46	B3002593		O/S CANOPY END - LH
47	B2005298		GRILL CANOPY 30 (PHASE 2)
	B9005298FG		CANOPY BODY XFGX VGBQ3002T
	B9005298GG		CANOPY BODY XGGX VGBQ3002T
	B9005298VB		CANOPY BODY XVBX VGBQ3002T
48	B2005301		CANOPY HEAT SHIELD -(PHASE 2)
No.	B2005294		INSIDE CANOPY END RH (PHASE 2)
No.	B2005295		INSIDE CANOPY LH (PHASE 2)
No.	G3205308		30 INCH DRIP TRAY ASSY (PHASE 2)



Ref #	Part Number	Qty.	Description
1	B2005271		IR IGNITOR BRACKET (PHASE 2)
2	PB010162		THERMOCOUPLE - BBQ GRILL W/ ROTIS
3	PB040122		IGNITOR FOR (BBQ GRILL) (1647-89)
4	G3005289		BURNER,ASM,,ASM,IR,20
5	PD030050		10-24 CAGE NUT SS
6	PK010063		LANDING LEDGE (VGBQ30) T SERIES
7	PB040179		SMOKER SPARK IGNITOR
8	PA010154		SUB TO 003573-000 - GRILL VALVE L.P. (5,000-10,500 BTU)
	G50010145		SMOKER VALVE/KNOB SERVICE KIT (L.P.)
	PA010153		SUB TO 003533-000 - GRILL VALVE NAT. (5,000-12,500 BTU)
	G50010144		SMOKER VALVE/KNOB SERVICE KIT (NAT.)
No.	PB040235		1/2NPT TO 3/8 FLARE COUPLING
No.	PB040146		1/2 X 3/8 FLARE ADAPTER (VGBQ)
9	PB040167		MALE COUPLER (PHASE 1 GRILL)
10	PA050070		PHASE2 30 MANIFOLD
11	B9205322		CTRL PAN (VGBQ3002RT) SLK SCR
12	PB010208		BEZEL, CHROME PLATE
	PB010209		BEZEL BRASS
13	PA010097		GRILL BURNER KNOB
	PA010126		OUTDOOR GRILL KNOB
14	PE010142		3 LOGO XBKXXCHROME
	PE010143		3 LOGO BK/BR
15	PE050063		SPARKER SWITCH
16	PB010191		I.R. SAFETY VALVE (PHASE II GRILLS)
	PB010220		I.R. SAFETY VALVE LP
17	PA010149		SUB TO 003516-000 - GRILL VALVE NAT. (7,600-25,000 BTU)
	G50010142		GRILL VALVE/KNOB SERVICE KIT (NAT.)
	PA010150		SUB TO 003538-000 - GRILL VALVE L.P. (13,000-22,500 BTU)
	G50010143		GRILL VALVE/KNOB SERVICE KIT (L.P.)
18	PD030048		THERMOCOUPLE NUT M08-VGBQ-8743300007
19	PB020114		FLASH TUBE (VGBQ3002T)
20	PB020115		SMOKER FLASH TUBE
21	PA010088		ROTIS. BURNER KNOB
22	PB010163		OVEN LIGHT SWITCH KNOB BK
No.	PB020096		48 5/16 S.S. FLEX TUBING REPL F2003505
23	PB040176		GRILL BURNER IGNITOR



Ref #	Part Number	Qty.	Description
1	G4006383		WIRE ASSY (VGBQ-T SERIES) 50
2	G4006378		WIRE ASSY (VGBQ-T SERIES) 25
3	G4006376		WIRE ASSY (VGBQ-T SERIES) 10
4	G4006380		WIRE ASSY (VGBQ-T SERIES) 15