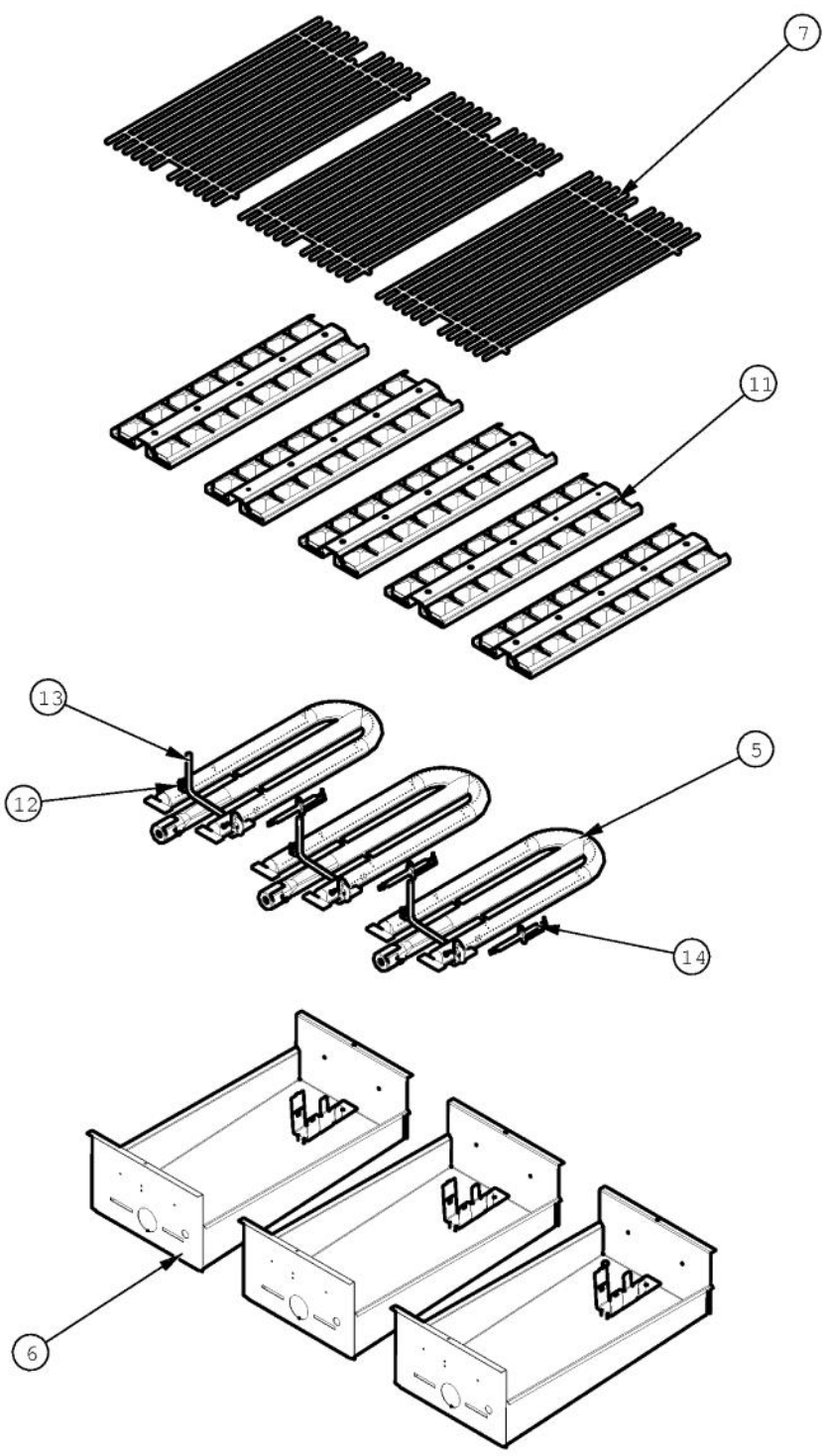
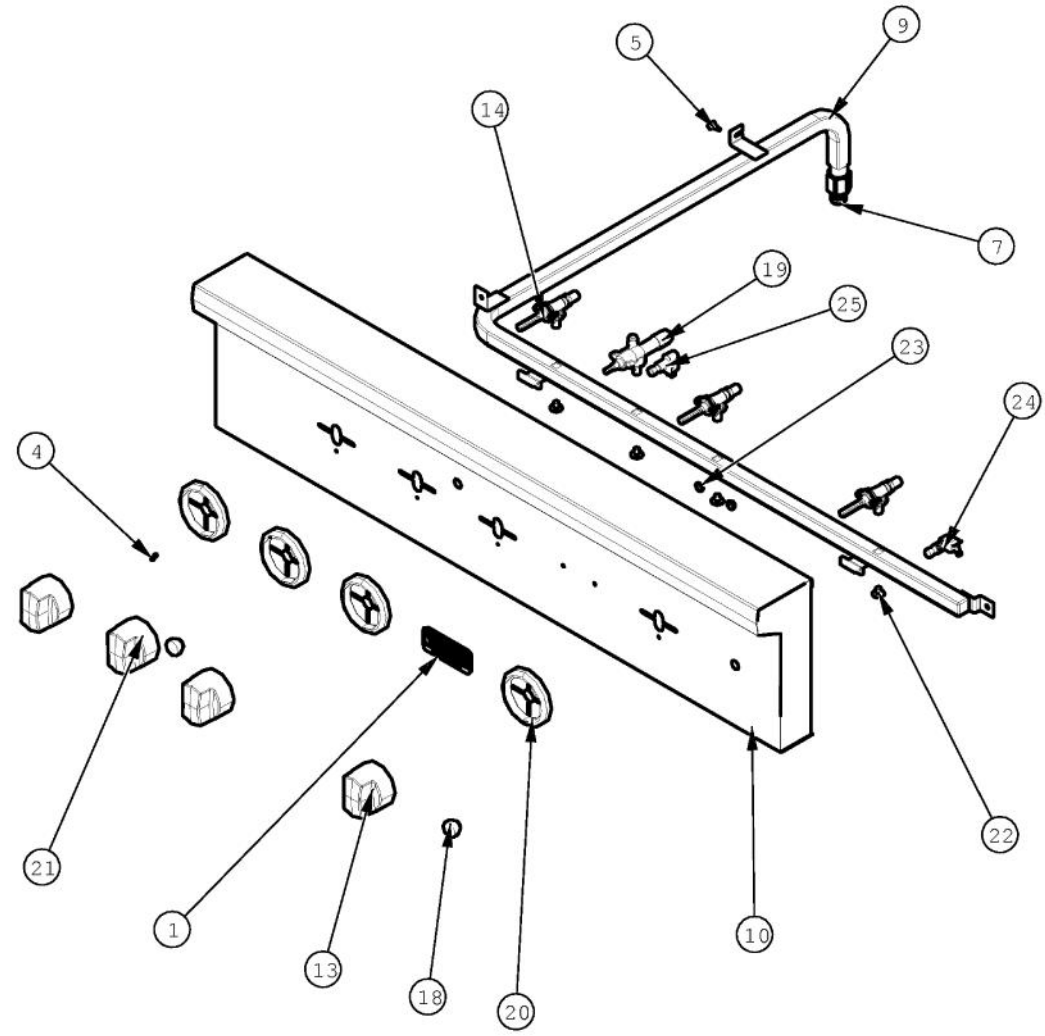


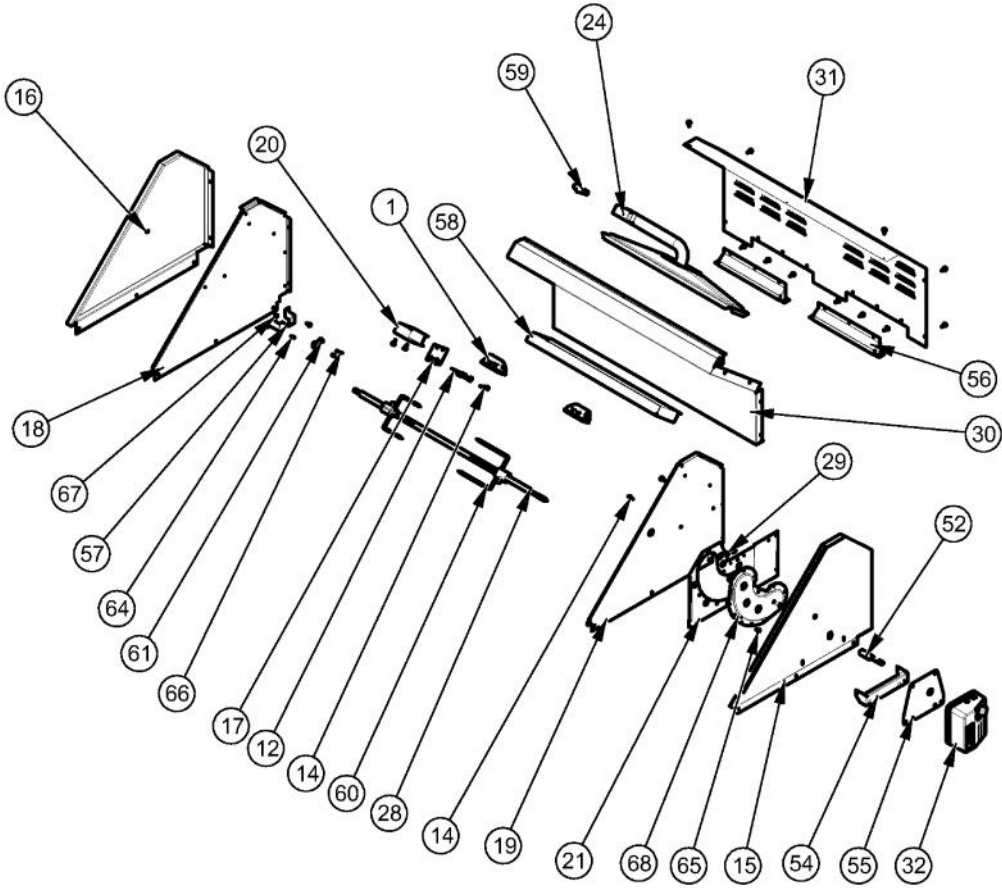
Ref #	Part Number	Qty.	Description
1	006021-000	1	SCE, PWR, LED, 12VAC
2	020055-000	7	SCR, DR, HXWH, 410SS, NPLT, 10-18 X 1/2
3	029459-000	2	PANEL, LWR SIDE
4	031195-000	1	FRAME, GRILL, TOP, 36
5	031559-000	2	BRACKET, SUPPORT, CORNER COVER LH
6	031560-000	2	BRACKET, SUPPORT, CORNER COVER RH
7	031570-000	1	BRACKET, MOUNTING, MODULE
8	032167-000	1	BRACKET, BACK SUPPORT, VGBQ13603
9	034663-000	2	SUPPORT, TRAY, BRIQUETTE VGBQ13603
10	034923-000	1	PANEL, HEAT SHIELD, SUPPORT
11	035133-000	1	PANEL, HEAT SHIELD, FRONT
12	PA020047	1	INVENSYS 0+4 RE-IGNITION SPARK MODULE
13	PD950013	2	LATCH PANEL ACCESS



Ref #	Part Number	Qty.	Description
1	004706-000	3	MACHINE SCREW, 6-32 X 3/8, PAN HD, PHILLIPS
5	029479-000	1	U-BURNER, BQ ASM
6	031232-000	3	BOX, U BURNER, 36
7	031264-000	3	GRATE, GRILL, 36
11	032370-000	3	TRAY, CRMC, BRIQUETTE, ASM
13	PB020114	3	FLASH TUBE (VGBQ3002T)
14	PB040288	3	SMOKER BURNER IGNITER

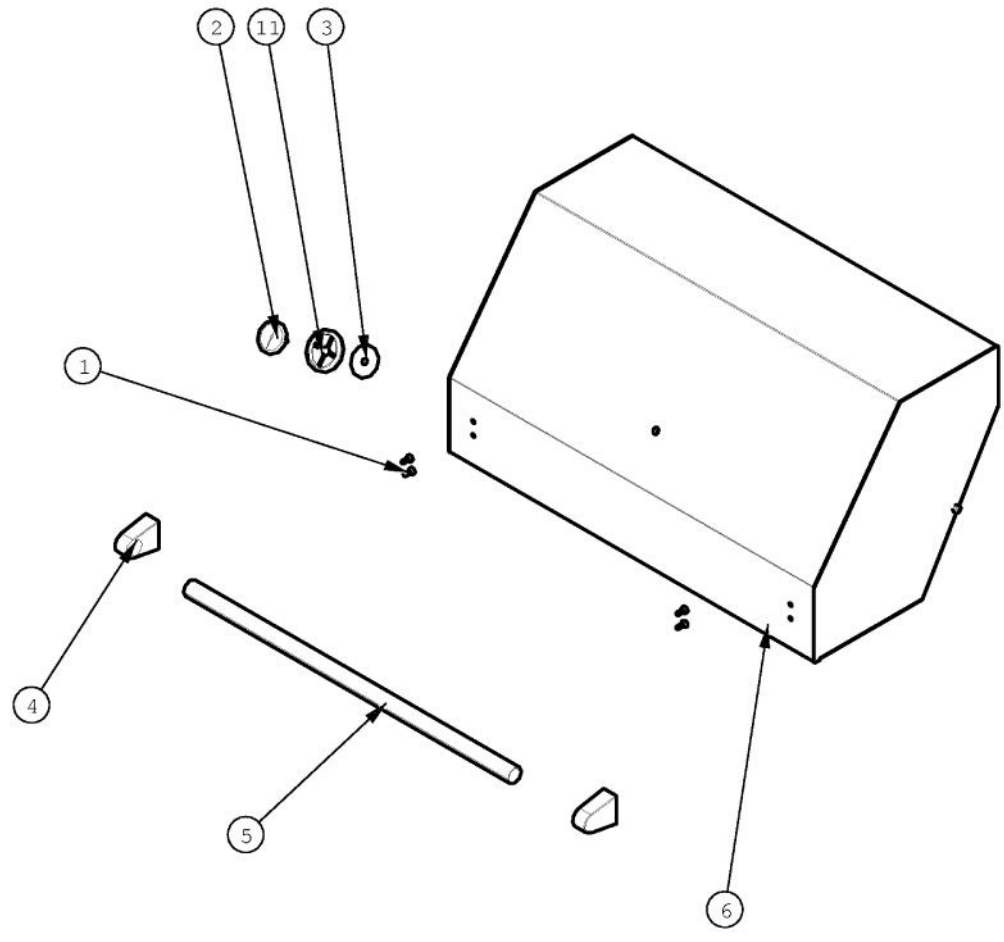


Ref #	Part Number	Qty.	Description
1	015009-000	1	OUTDOOR LOGO - 3 CHROME
4	020041-000	4	SCR, DR, PH, PNH, 410 SS, NPLT, 6-20 X 3/8
7	023650-000	1	NIPPLE, ASM
9	031197-000	1	MANIFOLD, VGBQ13603
10	032687-2385	1	PANEL, CNTRL WELD W/GRAPHICS, BQ13602R
13	003561-000	3	OUTDOOR GRILL KNOB
14	014952-000	3	VALVE, GAS, ASM, U BNR
14	014953-000	3	VALVE, GAS, ASM, U BNR - LP
18	PB010163	2	OVEN LIGHT SWITCH KNOB BK
19	PB010191	1	I.R. SAFETY VALVE (PHASE II GRILLS)
19	PB010220	1	I.R. SAFETY VALVE LP
20	PB010304	4	KNOB BEZEL
21	003563-000	1	ROTIS BURNER KNOB
23	PD030006	2	CAPPED WASHER PAL NUT
24	PE050019	1	OVEN LIGHT SWITCH (VGSO166) 90-DEG.
25	PE050063	1	SPARKER SWITCH
NI	PA070006	1	PRESSURE REGULATOR - NATURAL
NI	PA070005	1	PRESSURE REG.(LP) RV47L-77-10.0
NI	PB040046	2	1/2 CLOSE NIPPLE (VGSO166)
NI	PB040235	1	1/2NPT TO 3/8 FLARE COUPLING
NI	PB040146	1	1/2 X 3/8 FLARE ADAPTER (VGBQ)
NI	PB020227	1	HIGH PRESSURE LP HOSE
NI	PA010138	1	CYLINDER CONNECTION
NI	PA070007	1	LP TANK REGULATOR (VGBQ)
NI	033701-000	4	COVER, VALVE

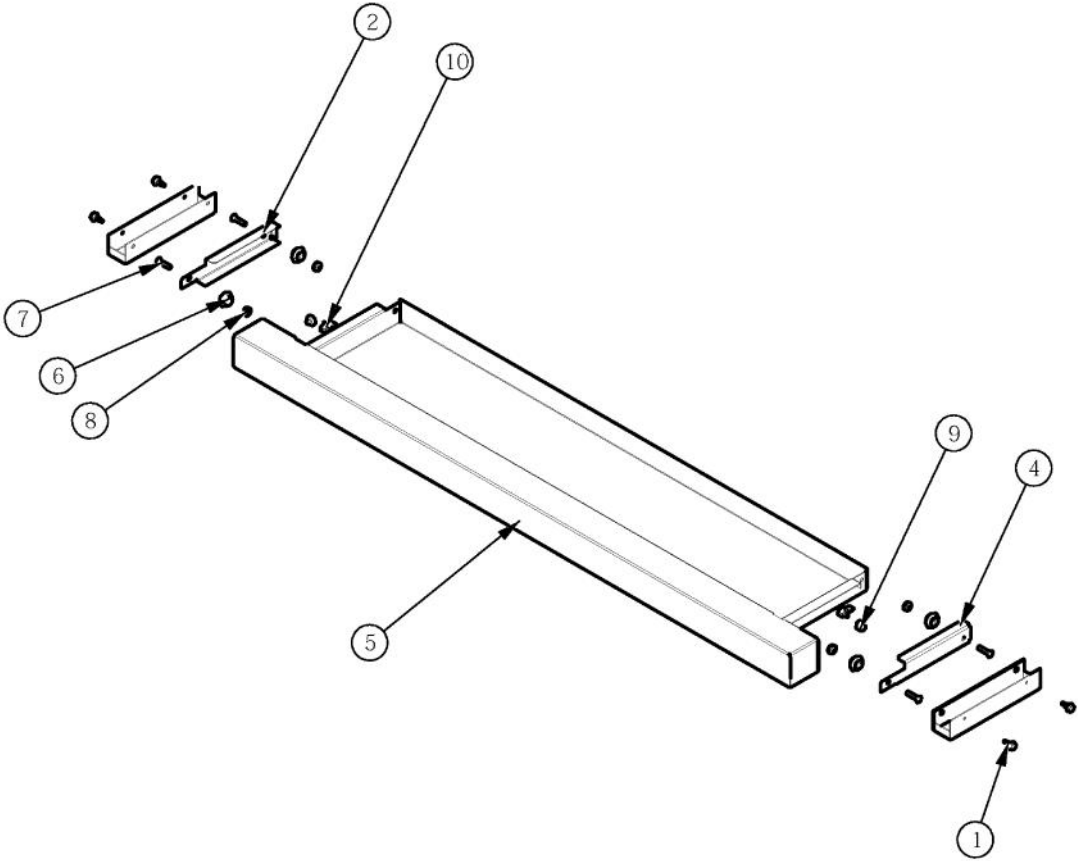


Ref #	Part Number	Qty.	Description
1	034082-000	2	120V HALOGEN LIGHT ASM
12	015357-000	1	IGNITOR, W/WIRE
14	020055-000	18	SCR, DR, HXWH, 410SS, NPLT, 10-18 X 1/2
15	029451-000	1	WINDSHIELD, BQ, OS, RH
16	029452-000	1	WINDSHIELD, BQ, OS, LH
17	029454-000	1	BRACKET, ROTIS IGNITOR, MTG
18	029455-000	1	WINDSHIELD, BQ, IS, LH
19	029456-000	1	WINDSHIELD, BQ, IS, RH
20	029457-000	1	COVER, ROTIS IGNITOR
21	029463-000	1	SUPPORT, GEAR
24	G3005289	1	BURNER,ASM,,ASM,IR,20
28	031219-000	1	SPIT, RTSR ROD 36
29	031824-000	1	BRACKET, MOUNTING SUPPORT
30	031871-000	1	BACKPLATE, BQ, INT, 36
31	031879-000	1	PANEL, REAR, BQ, 36
32	032461-000	1	MOTOR, ROTIS
35	PD020073	1	SRW NO.10 X 24 X 3/8 WAFER HD TYPE23
52	035020-000	1	STUD, COUPLING, ROTIS ASM
54	035056-000	1	SUPPORT BRACKET, MTG, RTSR
55	035060-000	1	SUPPORT BRACKET, MTG, RTSR MTR (IF BUILT BEFORE 4/23/12 ORDER 038269-000)
NI	038269-000	1	ROTIS MOUNTING BRACKET KIT
NI	037377-000	1	ADAPTER, HEX, ROTISSERIE MOTOR ADAPTER
56	035136-000	2	FLUE DIVERTER
57	B2005278	1	ROTISSERIE ROLLER BRACKET (PHASE 2)
58	B2005347	1	INFRARED FRAME
59	PB050060	1	I/R VENTURI (PHASE 2 BBQ)
60	032881-000	2	FORK, RTSR
61	PC020025	2	DRIP TRAY WHEEL
64	PD020055	2	NO.10 X 1/2 PAN PHIL. TEK. SS
66	PD020082	2	10 X 24 COUNTERSUNK S.S. SCREW
67	PD030044	2	10-24 KEPS NUT SS
68	PC070024	1	ROTIS. GEAR BOX ASSY
NI	034607-000	2	FASTENER, BOLT, 5/16 - 1-1/2





Ref #	Part Number	Qty.	Description
1	014221-000	4	1/4-20 X .625 HEX 316 SS
2	020659-000	1	GAUGE, BMTL, TEMPERATURE
3	026724-000	1	SPACER, WSHR
4	026965-000	2	END CAP, ASM, DOOR HANDLE
5	031211-000	1	HANDLE, DOOR, 36
6	031215-000	1	HOOD, WELD ASM, 36
11	PB010304	1	KNOB BEZEL
NI	036547-000	2	GROMMET, RECTANGLE RUBBER (USED ON CANOPY)



Ref #	Part Number	Qty.	Description
1	020055-000	4	SCR, DR, HXWH, 410SS, NPLT, 10-18 X 1/2
2	031555-000	1	DRIP TRAY GUIDE, LH
4	031554-000	1	DRIP TRAY GUIDE, RH
5	031917-000	1	DRIP TRAY, BQ 36
6	PC020025	4	DRIP TRAY WHEEL
7	PD020082	4	10 X 24 COUNTERSUNK S.S. SCREW
8	PD030044	4	10-24 KEPS NUT SS
9	PD040004	2	GROMMET BUMPER
10	PD950012	2	STRIKE PANEL ACCESS

*No Image  
Available*

Ref #	Part Number	Qty.	Description
NI	035185-000	1	MAIN HARNESS, VGBQ33603
NI	G40016227	1	IGNITOR WIRE 18
NI	035284-000	1	HARNESS, ROTIS, VGBQ33603
NI	035561-000	1	WIRE, IGNITOR, GRILL 8
NI	035565-000	1	WIRE, IGNITOR, GRILL 12