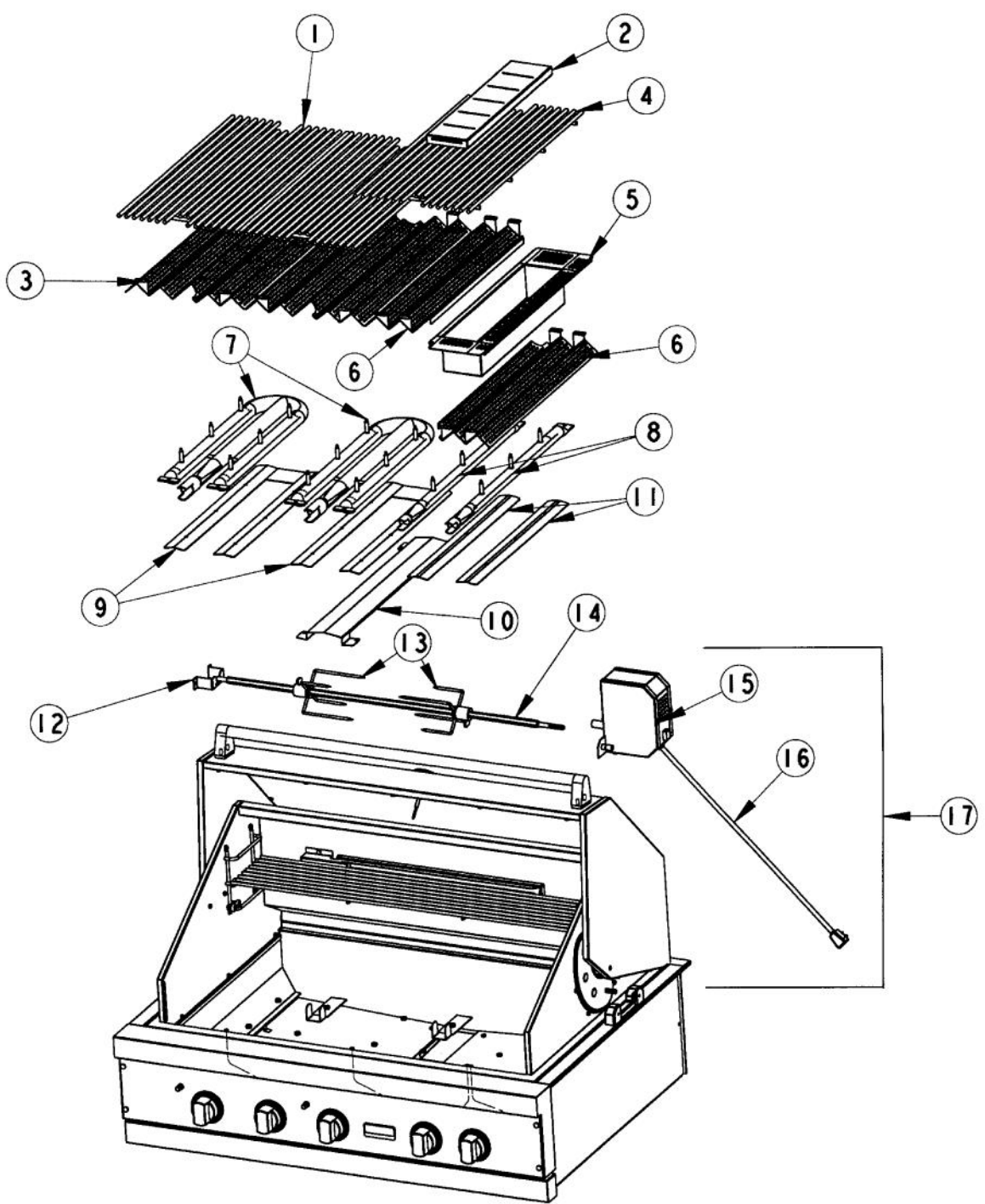
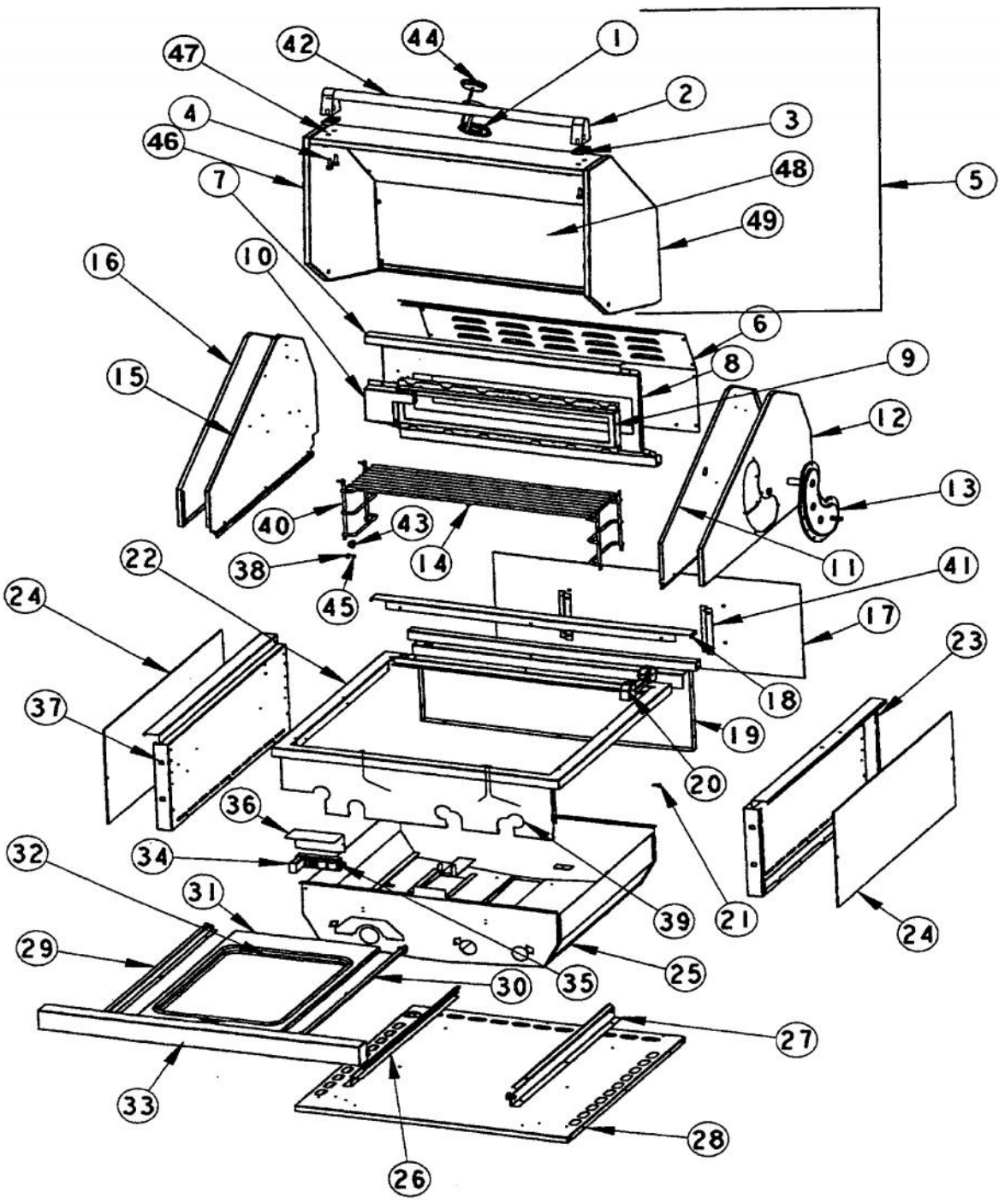


# *Functional Parts*

Ref #	Part Number	Qty.	Description
1	PE070189		ELECTRICAL SUPPLY CORD - BBQ GRILL
2	G3105387		GEAR BOX ASSEMBLY
3	PA080050		GRILL BURNER SS
4	PB040176		IGNITER
5	PB010194		GRILL THERMOETER (PHASE II GRILLS)
6	PA010149		SUB TO 003516-000 - GRILL VALVE NAT. (7,600-25,000 BTU) (AFTER 8/5/02)
	G50010142		GRILL VALVE/KNOB SERVICE KIT (NAT.) (BEFORE 8/5/02)
7	PA010150		SUB TO 003538-000 - GRILL VALVE L.P. (13,000-22,500 BTU) (AFTER 1/23/03)
	G50010143		GRILL VALVE/KNOB SERVICE KIT (L.P.) (BEFORE 1/23/03)
8	G3005289		BURNER,ASM,,ASM,IR,20
9	PB040122		IGNITOR FOR (BBQ GRILL) (1647-89)
10	PB010191		I.R. SAFETY VALVE (PHASE II GRILLS)
	PB010220		I.R. SAFETY VALVE LP
11	PE070184		ROTISSERIE MOTOR
12	PA080051		SMOKER/GRILL BURNER
13	PB040179		SMOKER IGNITER
14	PA010153		SUB TO 003533-000 - GRILL VALVE NAT. (5,000-12,500 BTU) (AFTER 6/28/02)
	G50010144		SMOKER VALVE/KNOB SERVICE KIT (NAT.) (BEFORE 6/28/02)
15	PA010154		SUB TO 003573-000 - GRILL VALVE L.P. (5,000-10,500 BTU) (AFTER 9/23/02)
	G50010145		SMOKER VALVE/KNOB SERVICE KIT (L.P.) (BEFORE 9/23/02)
16	PA020036		SPARK MODULE (AFTER 1/1/02)
	G5007971		SPARK MODULE KIT (BEFORE 1/1/02)
17	PE050063		SPARKER SWITCH

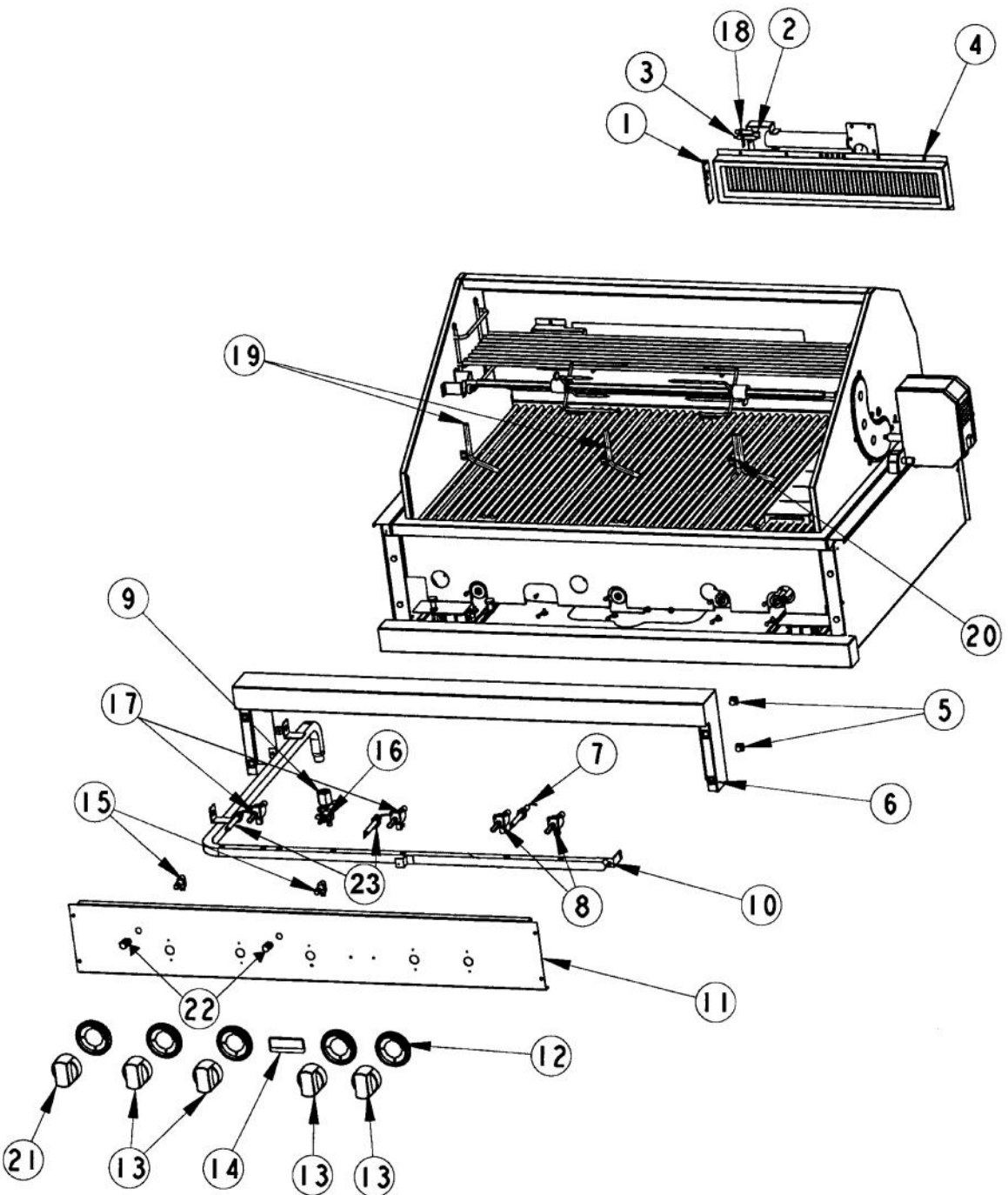


Ref #	Part Number	Qty.	Description
1	PA060052		GRILL COOKING GRATES
2	B3005325		SUB TO G3005350
3	G5009726		HALF FLAVOR GRID KIT
4	PA060053		HALF GRILL GRATE
5	B2005326		SUB TO G3005350 - SMOKER BTM
6	PK010061		HALF FLAVOR GRID PHASE 2
7	PA080050		GRILL BURNER SS
8	PA080051		SMOKER/GRILL BURNER
9	B2004921		BURNER DRIP SHIELD (P1 GRILL)
10	B2005246		BURNER BOX SHIELD (PHASE 2)
11	B2005324		SMOKER DRIP SHIELD
12	B2005278		ROTISSERIE ROLLER BRACKET (PHASE 2)
13	PB060058		SPIT FORK
14	PB060053		ROTIS SPIT ROD 41
15	PE070184		ROTISSERIE MOTOR
16	PE070189		ELECTRICAL SUPPLY CORD - BBQ GRILL
17	G3205282		ROTIS MOTOR ASSEMBLY (PHASE 2)
NI	027596-000		BOX, SMOKER ASM INCLUDES: SMOKER BOX TOP (ITEM No.2) SMOKER BOX BOTTOM (ITEM No.5) SMOKER BOX HINGE STEAMER RACK



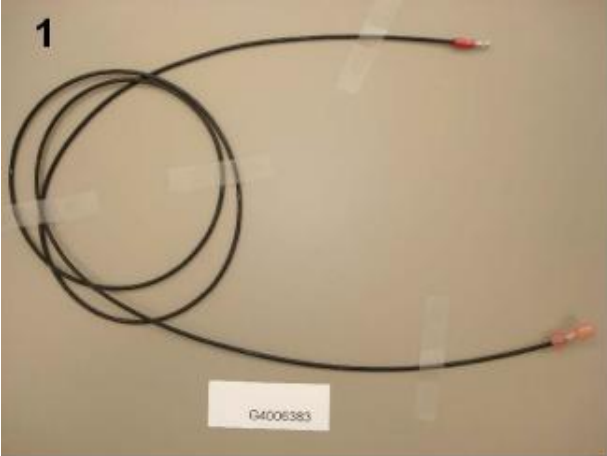
Ref #	Part Number	Qty.	Description
1	PB010192		THERMOSTAT BEZEL
	PB010212		THERMOSTAT BEZEL BRASS
2	PE030001		BRACKET, DOOR, HANDLE
	PE030001PVD		END CAP DOOR HANDLE XBR
3	PD040010		DOOR HANDLE SPACER
4	PD020069		CAP SCREW 1/4-20 X 3/4 SS
5	G3205303FG		CANOPY ASSY 41 (P2 GRILL) XFGX
	G3205303FGBR		CANOPY ASSY 41 (P2 GRILL) XFGXBRX
	G3205303GG		CANOPY ASSY 41 (P2 GRILL) XGGX
	G3205303GGBR		CANOPY ASSY 41 (P2 GRILL) XGGXBRX
	G3205303SS		CANOPY ASSY 41 (P2 GRILL) XSSX
	G3205303SSBR		CANOPY ASSY 41 (P2 GRILL) XSSXBRX
	G3205303VB		CANOPY ASSY 41 (P2 GRILL) XVBX
	G3205303VBBR		CANOPY ASSY 41 (P2 GRILL) XVBXBRX
6	B2005280		REAR COVER 41 (PHASE 2)
7	G9105395		41" FRONT HOUSING TOP WELD ASSY
8	G9105328		FRONT HOUSING ASSY-41 (VGBQ4103RT)
9	B2005347		INFRARED FRAME
10	B2005273		I/R IGNITOR COVER LH (PHASE 2)
11	B2005263		INSIDE WINDSHIELD RH (PHASE 2)
12	G5005256		OUTSIDE WINDSHIELD ASSY RH
13	G3105387		GEAR BOX ASSEMBLY
14	PB060056		WARMING RACK 41
15	B2005264		INSIDE WINDSHIELD RH
16	G5005257		OUTSIDE WINDSHIELD ASSY LH
17	L1004881		REAR HEAT SHIELD 41 (PHASE 2)
18	B2005209		GRILL BOX TRIM
19	B2005206		GRILL BOX BACK 41 (PHASE 2)
20	PB060055		ROTISSERIE MOUNT CASTING
21	PD020055		NO.10 X 1/2 PAN PHIL. TEK. SS
22	B2005230		GRILL FRAME 41 (PHASE 2)
23	B2005203		GRILL BOX SIDE RH (PHASE 2)
24	L1005398		SIDE HEAT SHIELD
25	G3005234		BURNER BOX ASSY 41 (VGBQ4103RT)
26	G3005214		DRIP TRAY SLIDE - LH
27	G3005215		DRIP TRAY SLIDE - RH
28	B2005201		GRILL BOX BOTTOM 41 (PHASE 2)
29	B2005317		DRIP TRAY RUNNER LH (PHASE 2)
30	B2005316		DRIP TRAY RUNNER RH
31	B2005310		DRIP TRAY 41 (VGBQ4103RT)
32	J2101749		GREASE PAN
33	PK010067		DRIP TRAY HANDLE (VGBQ41) T SERIES
34	B3005292		CANOPY END RH (PHASE 2)
35	PA020036		SPARK MODULE
	G5007971		SPARK MODULE KIT
36	B2005250		SPARK MODULE BRACKET (PHASE 2)
37	B2005204		PANEL, GRL, LH
38	PD030044		10-24 KEPS NUT SS
39	B2005218		GRILL BOX FRONT--S.B. 4103-PHASE 2
40	PB060051		WARMING RACK SUPPORT
41	B2006305		HEAT SHIELD BRACKET
42	PE030040		DOOR/CNPY HNDLE - RPLCS PE930090
	PE030044PVD		CNPY HDLE 41/53 PVD F0005408
43	PC020025		DRIP TRAY WHEEL
44	PB010337		GRILL THERMOMETER
45	PD020082		10 X 24 COUNTERSUNK S.S. SCREW
46	B3005293		CANOPY END LH (PHASE 2)
47	B2005297		GRILL CANOPY - 41 (PHASE 2)
	B9005297FG		CANOPY BODY XFGX VGBQ4103RT
	B9005297GG		CANOPY BODY XGGX VGBQ4103RT

Ref #	Part Number	Qty.	Description
	B9005297GG		CANOPY BODY XGGX VGBQ4103RT
	B9005297VB		CANOPY BODY XVBX VGBQ4103RT
NI	G3205303FG	1	CANOPY ASSY 41 (P2 GRILL) XFGX
NI	G3205303FGBR	1	CANOPY ASSY 41 (P2 GRILL) XFGXBRX
NI	G3205303GG	1	CANOPY ASSY 41 (P2 GRILL) XGGX
NI	G3205303GGBR	1	CANOPY ASSY 41 (P2 GRILL) XGGXBRX
NI	G3205303SS	1	CANOPY ASSY 41 (P2 GRILL) XSSX
NI	G3205303SSBR	1	CANOPY ASSY 41 (P2 GRILL) XSSXBRX
NI	G3205303VB	1	CANOPY ASSY 41 (P2 GRILL) XVBX
NI	G3205303VBRR	1	CANOPY ASSY 41 (P2 GRILL) XVBXBRX
48	B2005300		CANOPY HEAT SHIELD 41/53
NI	B2005294		INSIDE CANOPY END RH (PHASE 2)
NI	B2005295		INSIDE CANOPY LH (PHASE 2)
NI	G3205306		41`` DRIP TRAY ASSY (PHASE 2)
49	B3005292		CANOPY END RH (PHASE 2)





Ref #	Part Number	Qty.	Description
1	B2005271		IR IGNITOR BRACKET (PHASE 2)
2	PB010210		FULL THERMOCOUPLE
3	PB040122		IGNITOR FOR (BBQ GRILL) (1647-89)
4	G3005289		BURNER,ASM,,ASM,IR,20
5	PD030050		10-24 CAGE NUT SS
6	PK010064		LANDING LEDGE (VGBQ41) T SERIES
7	PB040179		SMOKER IGNITER
8	PA010153		SUB TO 003533-000 - GRILL VALVE NAT. (5,000-12,500 BTU)
	G50010144		SMOKER VALVE/KNOB SERVICE KIT (NAT.)
	PA010154		SUB TO 003573-000 - GRILL VALVE L.P. (5,000-10,500 BTU)
	G50010145		SMOKER VALVE/KNOB SERVICE KIT (L.P.)
NI	PB040235		1/2NPT TO 3/8 FLARE COUPLING
NI	PB040136		BROIL ORIFICE 1.90MM - YELLOW
9	PB040167		MALE COUPLER (PHASE 1 GRILL)
10	PA050069		PHASE2 41 MANIFOLD
11	B9205320		CTRL PANEL 41 FULL GRILL (PHASE 2)
12	PB010208		BEZEL, CHROME PLATE
	PB010209		BEZEL BRASS
13	PA010097		GRILL BURNER KNOB
	PA010126		OUTDOOR GRILL KNOB
14	PE010142		3 LOGO XBKXXCHROME
	PE010143		3 LOGO BK/BR
15	PE050063		SPARKER SWITCH
16	PB010191		I.R. SAFETY VALVE (PHASE II GRILLS)
	PB010220		I.R. SAFETY VALVE LP
17	PA010149		SUB TO 003516-000 - GRILL VALVE NAT. (7,600-25,000 BTU)
	G50010142		GRILL VALVE/KNOB SERVICE KIT (NAT.)
	PA010150		SUB TO 003538-000 - GRILL VALVE L.P. (13,000-22,500 BTU)
	G50010143		GRILL VALVE/KNOB SERVICE KIT (L.P.)
18	PD030048		THERMOCOUPLE NUT M08-VGBQ-8743300007
19	PB020114		FLASH TUBE (VGBQ3002T)
20	PB020115		SMOKER FLASH TUBE
21	PA010088		ROTIS. BURNER KNOB
22	PB010163		OVEN LIGHT SWITCH KNOB BK
NI	PB020096		48 5/16 S.S. FLEX TUBING REPL F2003505
23	PB040176		IGNITER



Ref #	Part Number	Qty.	Description
1	G4006383		WIRE ASSY (VGBQ-T SERIES) 50
2	G4006378		WIRE ASSY (VGBQ-T SERIES) 25
3	G4006376		WIRE ASSY (VGBQ-T SERIES) 10
4	G4006380		WIRE ASSY (VGBQ-T SERIES) 15



Ref #	Part Number	Qty.	Description
1	G4006384		WIRE ASSY (VGBQ-T SERIES) 7 NOT FIELD REPLACEABLE
2	G4006377		WIRE ASSY (VGBQ-T SERIES) 15
3	G4006379		WIRE ASSY (VGBQ-T SERIES) 25