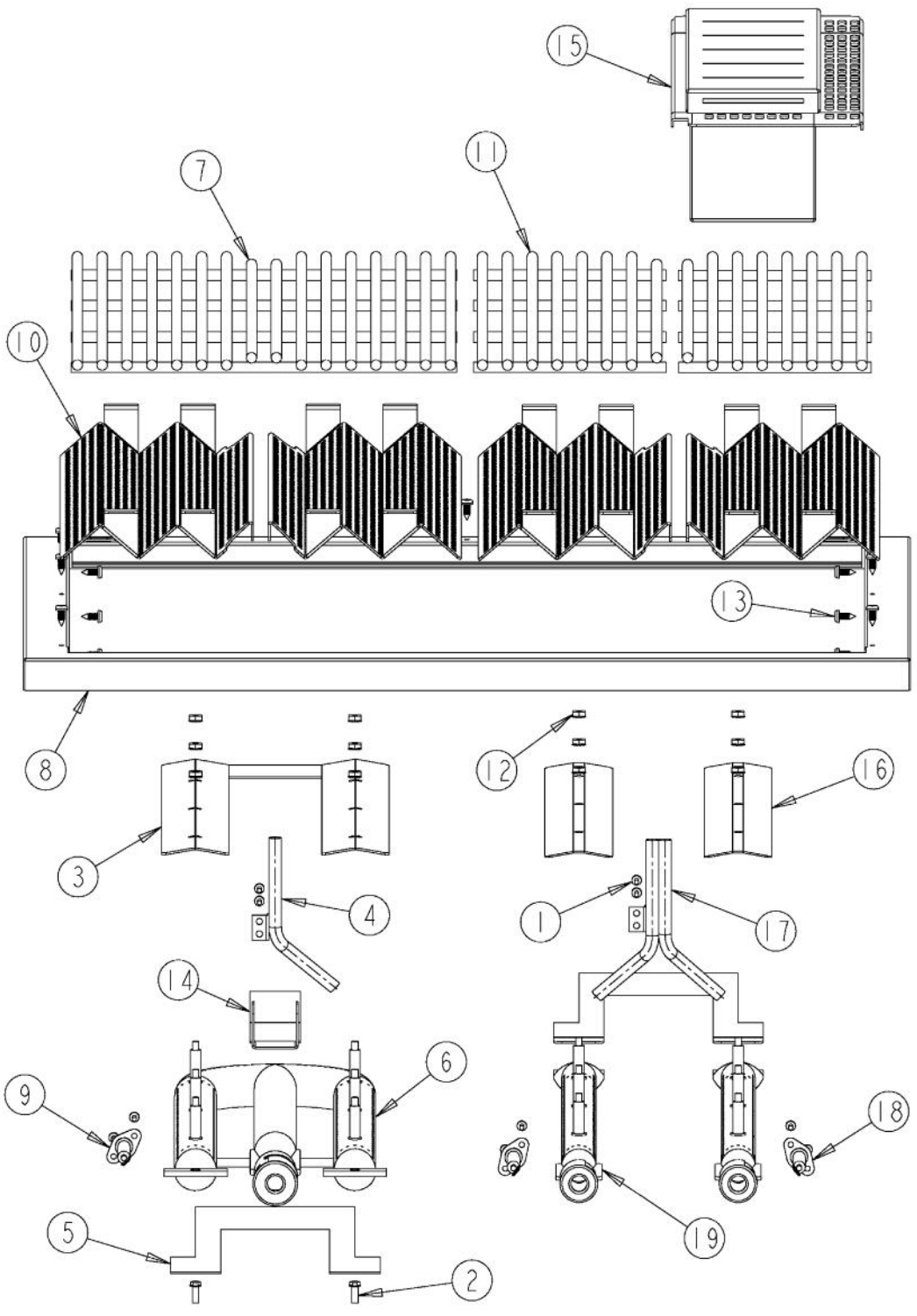
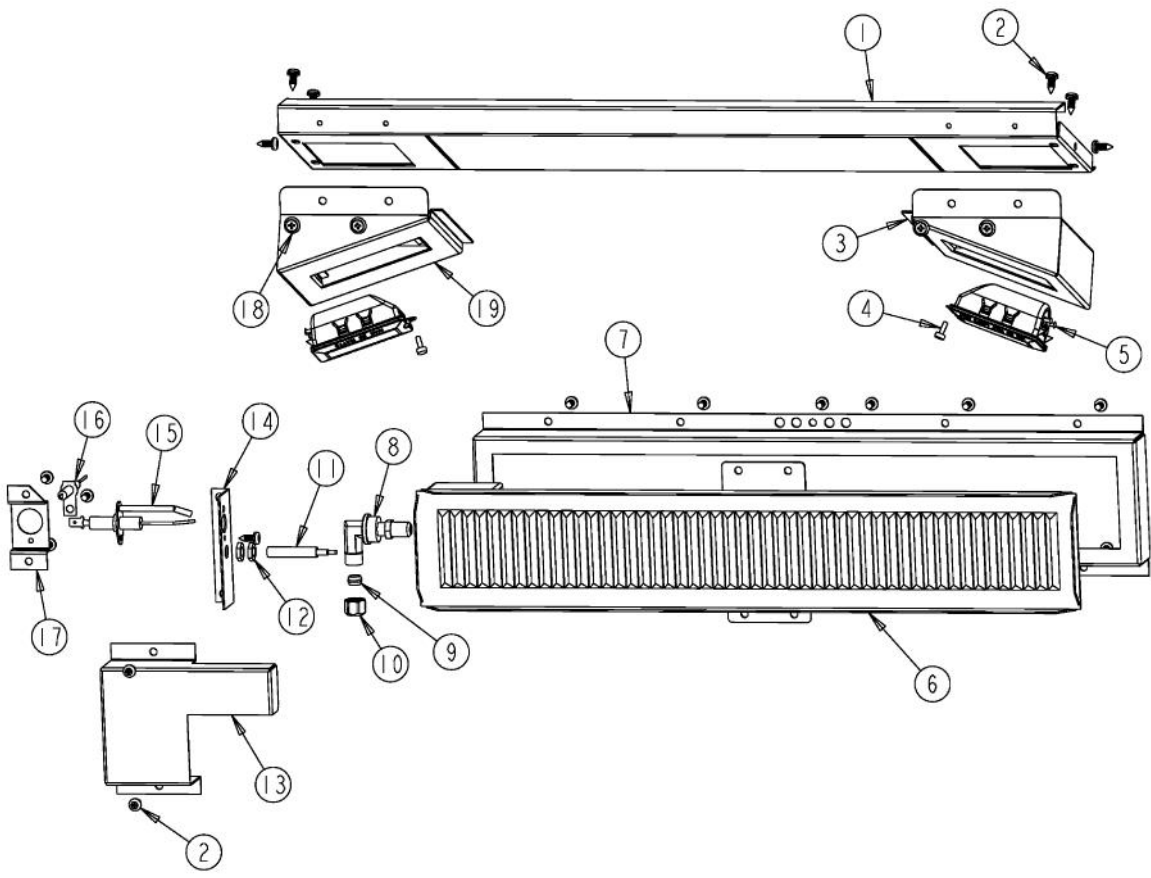


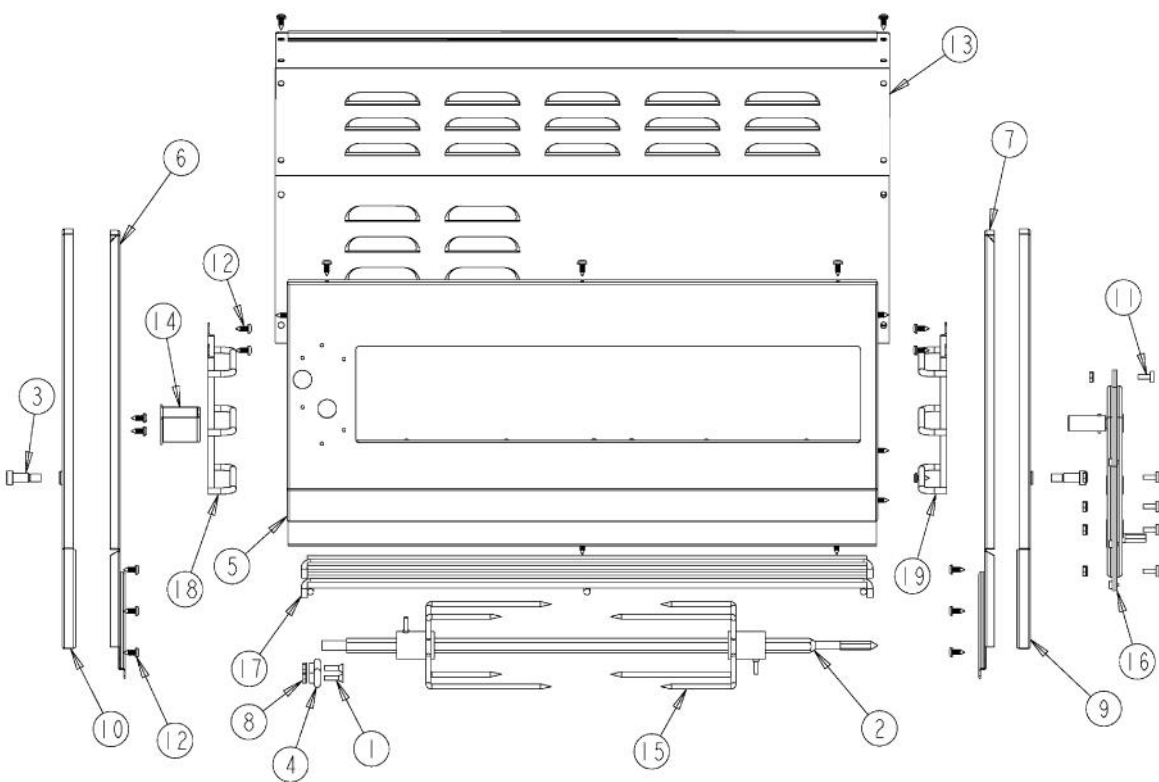
Ref #	Part Number	Qty.	Description
1	PD020067		NO.6 X 3/8 PAN PHIL. TEK SS
2	PD010012		VALVE BOLT 1/4-20 UNC-2B 5/16 M.S.
3	PE010142		3 LOGO XBKXXCHROME
NI	PE010143		3 LOGO BK/BR
4	B20015554		41 GRILL GUTTER
5	PD030006		CAPPED WASHER PAL NUT
6	B92015543		CTRL PANEL (VGBQ4122RE)
7	PA010153		SUB TO 003533-000 - GRILL VALVE NAT. (5,000-12,500 BTU)
NI	PA010154		SUB TO 003573-000 - GRILL VALVE L.P. (5,000-10,500 BTU)
8	PA010151		GRILL VALVE NAT. (1,800-15,000 BTU)
NI	PA010152		SUB TO 003539-000 - GRILL VALVE L.P. (3,700-13,500 BTU)
9	PA010149		SUB TO 003516-000 - GRILL VALVE NAT. (7,600-25,000 BTU)
NI	PA010150		SUB TO 003538-000 - GRILL VALVE L.P. (13,000-22,500 BTU)
10	PB010191		I.R. SAFETY VALVE (PHASE II GRILLS)
NI	PB010220		I.R. SAFETY VALVE LP
11	PA020045		IGNITOR SWITCH
12	PB010208		BEZEL, CHROME PLATE
NI	PB010209		BEZEL BRASS
13	PB010163		OVEN LIGHT SWITCH KNOB BK
14	PD020056		NO.10-24 X 1/2 PH.TR. M.S. SS
15	PA050069		PHASE2 41 MANIFOLD
16	PD020055		NO.10 X 1/2 PAN PHIL. TEK. SS
17	PK010064		LANDING LEDGE (VGBQ41) T SERIES
18	PE050019		OVEN LIGHT SWITCH (VGSO166) 90-DEG.
19	PA010012		ROPER PLUG
20	PD030050		10-24 CAGE NUT SS
21	PE050063		SPARKER SWITCH
22	PA010088		ROTIS. BURNER KNOB
23	PA010126		OUTDOOR GRILL KNOB



Ref #	Part Number	Qty.	Description
1	PD020067		NO.6 X 3/8 PAN PHIL. TEK SS
2	PD020048		NO.10 X 1/2 TEK 410 SS SCREW
3	B2004921		BURNER DRIP SHIELD (P1 GRILL)
4	PB020114		FLASH TUBE (VGBQ3002T)
5	B2005248		FRONT BURNER BRACKET (PHASE 2)
6	PA080050		GRILL BURNER SS
7	PA060052		GRILL COOKING GRATES
8	B20015516		GRILL FRAME 30
9	PB040176		IGNITER
10	PK010061		HALF FLAVOR GRID PHASE 2
11	PA060053		HALF GRILL GRATE
12	PD030060		NO.10-32 KEPS NUT SS
13	PD020055		NO.10 X 1/2 PAN PHIL. TEK. SS
14	B2005249		REAR BURNER BRACKET (PHASE 2)
15	G3005350		SMOKER BOX ASSY (VGBQ3002RT)
16	B2005324		SMOKER DRIP SHIELD
17	PB020115		SMOKER FLASH TUBE
18	PB040179		SMOKER IGNITER
19	PA080051		SMOKER/GRILL BURNER

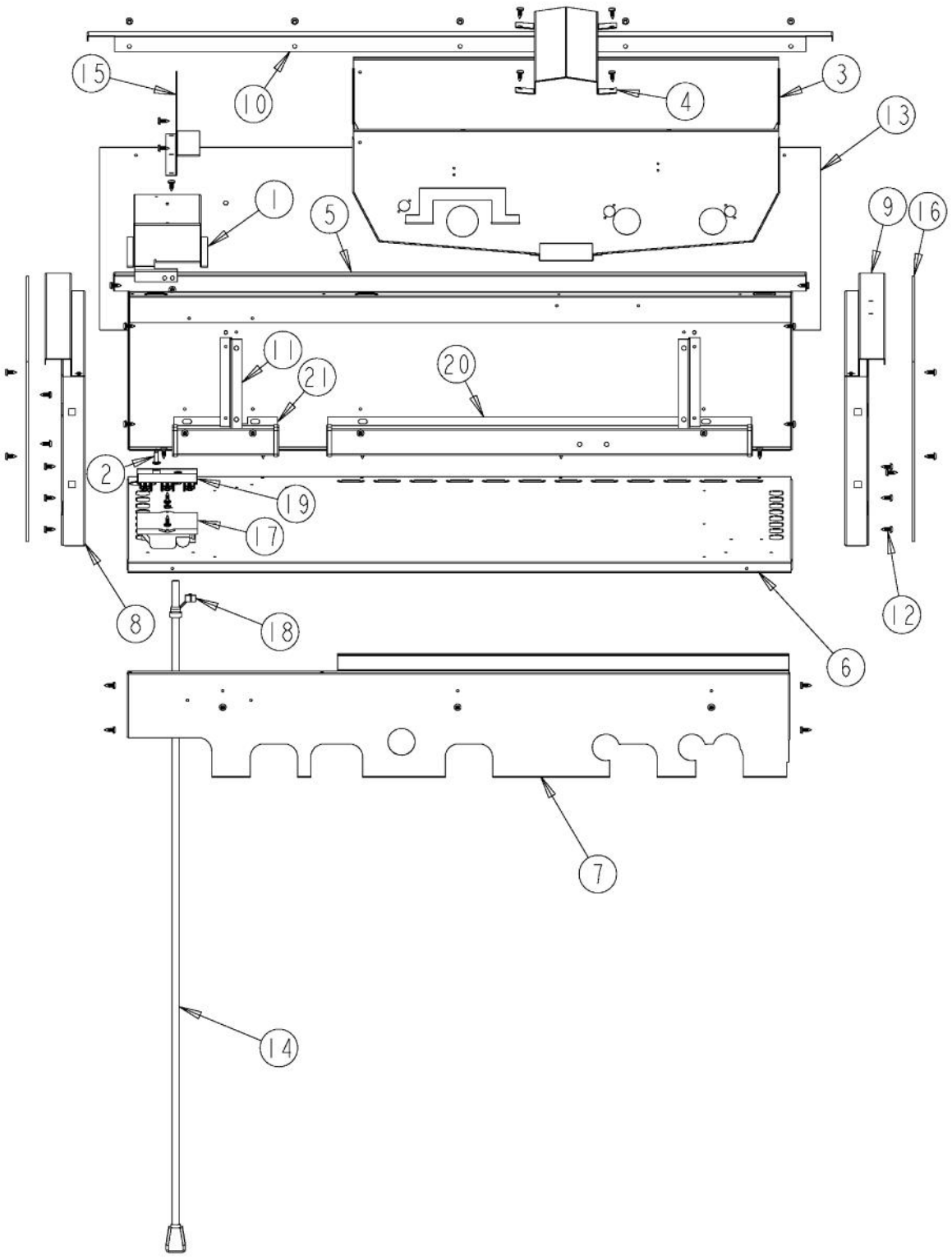


Ref #	Part Number	Qty.	Description
1	E91015559		30 FRONT HOUSING TOP
2	PD020055		NO.10 X 1/2 PAN PHIL. TEK. SS
3	B20015556		LIGHT HOUSING - RH
4	PD020067		NO.6 X 3/8 PAN PHIL. TEK SS
5	PE050238		120 VOLT SIDE HALOGEN LIGHT (INCLUDES 24 WIRE LEAD)
6	G3005289		BURNER,ASM,,ASM,IR,20
7	B2005347		INFRARED FRAME
8	PB040124		90 DEG. ORIFICE FITTING
	PB040125		ORIFICE FTG 90D 20IR NO.57 HD YELLOW
9	PB040263		5/16 FERRULE
10	PB040228		FITTING BRASS COMPRESSION NUT
NI	PB020096		48 5/16 S.S. FLEX TUBING REPL F2003505
11	PB010162		THERMOCOUPLE - BBQ GRILL W/ ROTIS
12	PD030048		THERMOCOUPLE NUT M08-VGBQ-8743300007
13	B20015402		I/R IGNITOR COVER LH
14	B20015403		IR IGNITOR BRACKET
15	PB040160		WOK IGNITER
16	PB040280		FLEXIBLE ROTISSERIE IGNITOR
17	B20015401		FLEXIBLE IGNITOR STANDOFF
18	PD020073		SRW NO.10 X 24 X 3/8 WAFER HD TYPE23
19	B20015557		LIGHT HOUSING - LH

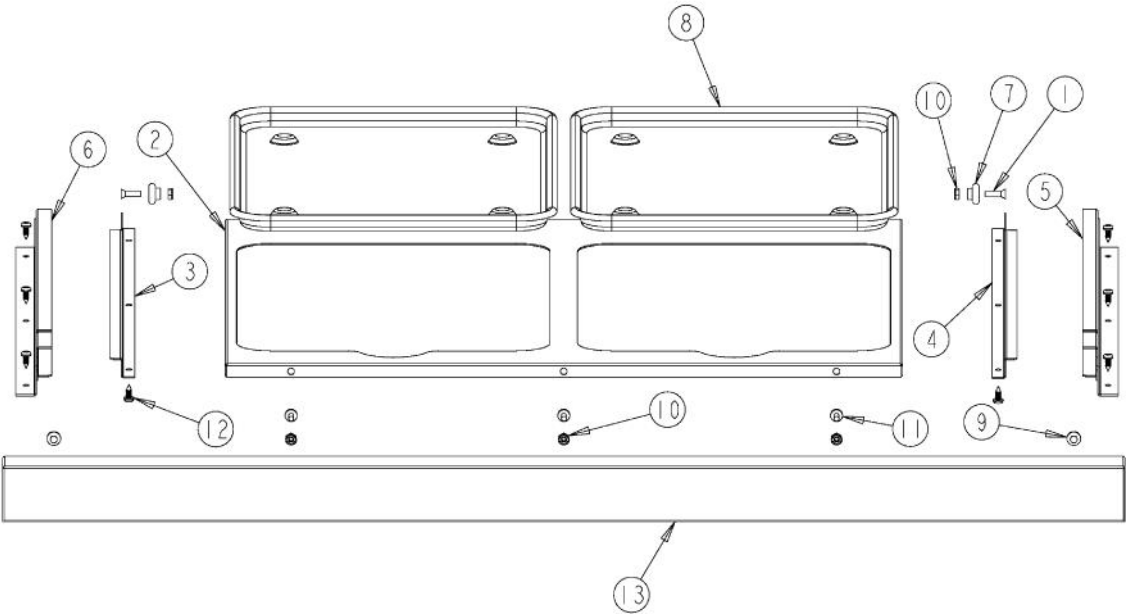


Ref #	Part Number	Qty.	Description
1	PD020082		10 X 24 COUNTERSUNK S.S. SCREW
2	PB060054		ROTIS SPIT ROD 30
3	PD010043		5/16INCH SHOULDER BOLT (PHASE 2)
4	PC020025		DRIP TRAY WHEEL
5	G9105329		FRONT HOUSING ASSEMBLY
6	B20015419		INSIDE WINDSHIELD LH
7	B20015418		INSIDE WINDSHIELD RH
8	PD030044		10-24 KEPS NUT SS
9	G5005256		OUTSIDE WINDSHIELD ASSY RH
10	G5005257		OUTSIDE WINDSHIELD ASSY LH
11	PD020056		NO.10-24 X 1/2 PH.TR. M.S. SS
12	PD020055		NO.10 X 1/2 PAN PHIL. TEK. SS
13	B2005281		REAR COVER - 30 (PHASE 2)
14	B2005278		ROTISSERIE ROLLER BRACKET (PHASE 2)
15	PB060058		SPIT FORK
16	PC070024		ROTIS. GEAR BOX ASSY
17	PB060057		WARMING RACK 30
18	PB060113		WARMING RACK SUPPORT LH
19	PB060112		WARMING RACK SUPPORT RH

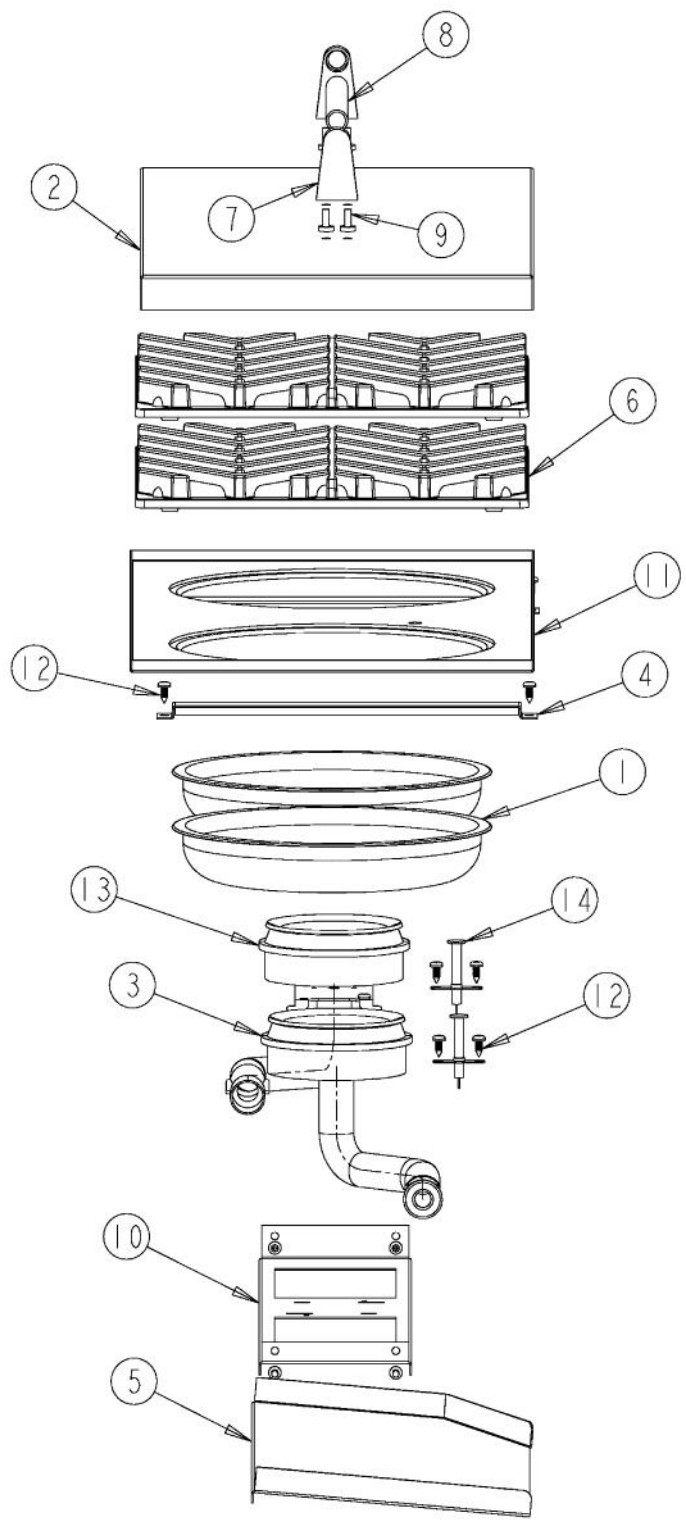




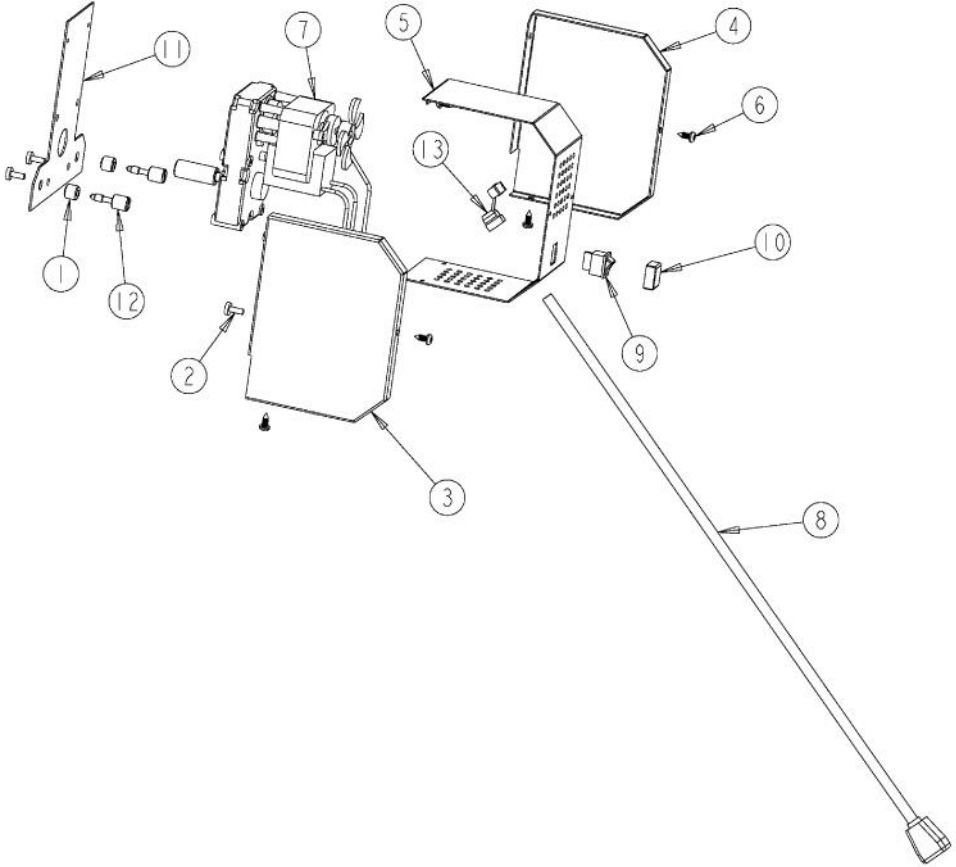
Ref #	Part Number	Qty.	Description
1	B30015553		0+6 SPARK MODULE TERMINAL HOUSING
2	PD020014		10X3/4 PH TR HD SMS
3	G3005232		BURNER BOX ASSY 53RH (PHASE 2)
4	B2005246		BURNER BOX SHIELD (PHASE 2)
5	B20015512		GRILL BOX BACK 41
6	B20015509		GRILL BOX BOTTOM 41
7	B2007800		GRILL BOX FRONT
8	B2005204		PANEL, GRL, LH
9	B2005203		GRILL BOX SIDE RH (PHASE 2)
10	B20010116		GRILL BOX TRIM - 41
11	B2006305		HEAT SHIELD BRACKET
12	PD020055		NO.10 X 1/2 PAN PHIL. TEK. SS
13	L1004881		REAR HEAT SHIELD 41 (PHASE 2)
14	PE070791		GRILL POWER SUPPLY CORD (8 FT)
15	B20015506		SIDE BURNER DRIP SHIELD
16	L1005398		SIDE HEAT SHIELD
17	PA020048		INVENSYS 0+6 RE-IGNITION SPARK MODULE
18	PD040044		SNAP THRU BUSHING 1/4DIA CORD
19	PE070855		E SERIES TERMINAL BLOCK
20	A20015411		GRILL WIRE CHANNEL - 41 REAR
21	A20015412		GRILL WIRE CHANNEL - 42 SHORT
NI	019962-000		SERVICE POWER CORD SHIELD KIT



Ref #	Part Number	Qty.	Description
1	PD020082		10 X 24 COUNTERSUNK S.S. SCREW
2	B2005311		DRIP TRAY 41 SIDE
3	B2005317		DRIP TRAY RUNNER LH (PHASE 2)
4	B2005316		DRIP TRAY RUNNER RH
5	G3005215		DRIP TRAY SLIDE - RH
6	G3005214		DRIP TRAY SLIDE - LH
7	PC020025		DRIP TRAY WHEEL
8	PB080061		GREASE PAN
9	PD040004		GROMMET BUMPER
10	PD030044		10-24 KEPS NUT SS
11	PD020056		NO.10-24 X 1/2 PH.TR. M.S. SS
12	PD020055		NO.10 X 1/2 PAN PHIL. TEK. SS
13	PK010067		DRIP TRAY HANDLE (VGBQ41) T SERIES
NI	G3205307		41" DRIP TRAY ASSY W/SIDE BURNER (DOES NOT INCLUDE ITEMS No.5, 6, AND 8)

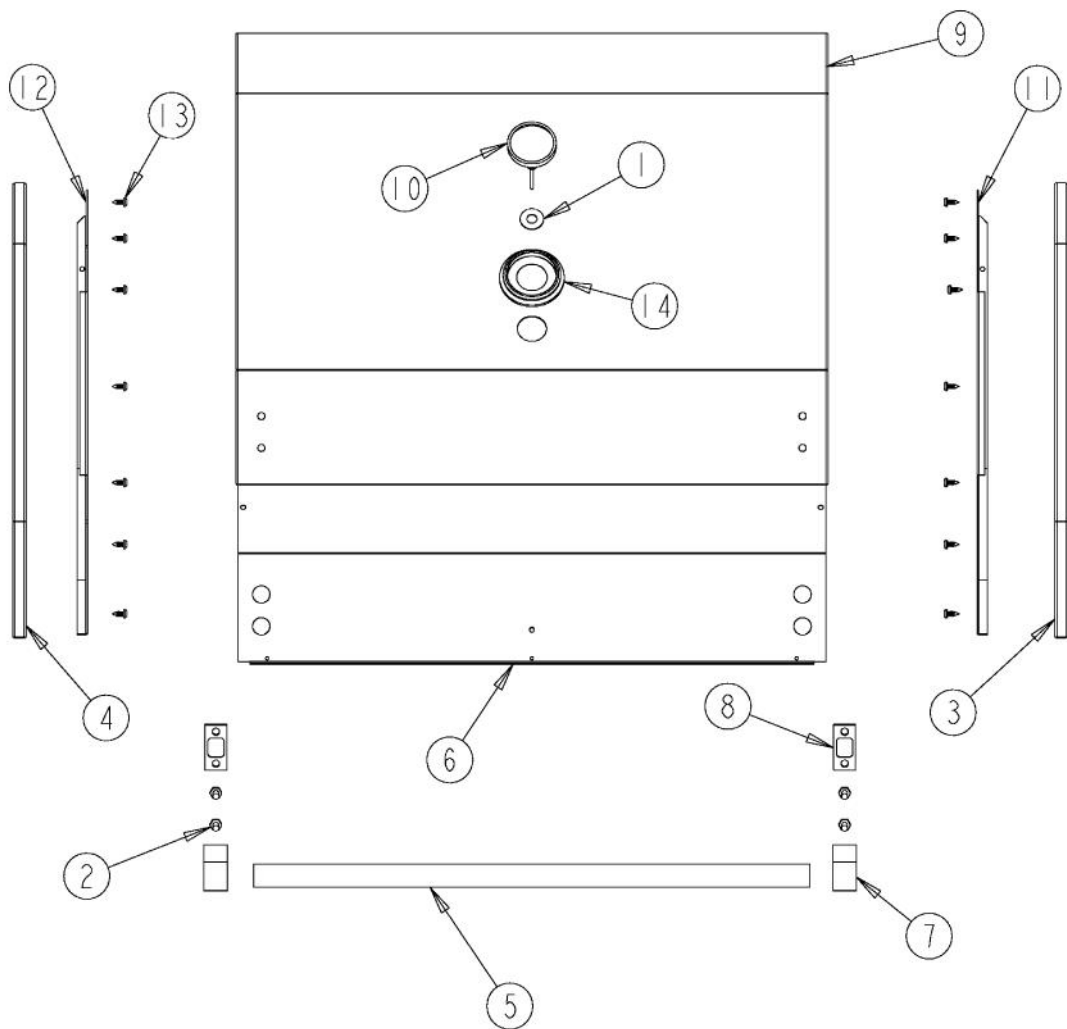


Ref #	Part Number	Qty.	Description
1	PA030002SS		BURNER BOWL (VGBQ) XSSX
2	B20015414		BURNER COVER 41
3	PA080052		FRONT BURNER
4	B2006340		GRATE SUPPORT BRACKET
5	B20015507		GREASE DIVERTER
6	PA060051		GRILL V GRATE (PHASE 2)
7	PE030187		ENDCAP, TUBE
8	PE030197		VGIQ30 COVER HANDLE
9	PD020056		NO.10-24 X 1/2 PH.TR. M.S. SS
10	B2005260		PHASE II BURNER SUPPORT
11	B2105291		PHASE II GRATE SUPPORT 41
12	PD020055		NO.10 X 1/2 PAN PHIL. TEK. SS
13	PA080053		REAR TOP BURNER
14	PA020028		SPARK IGNITER
NI	G32015547		BURNER COVER ASSY

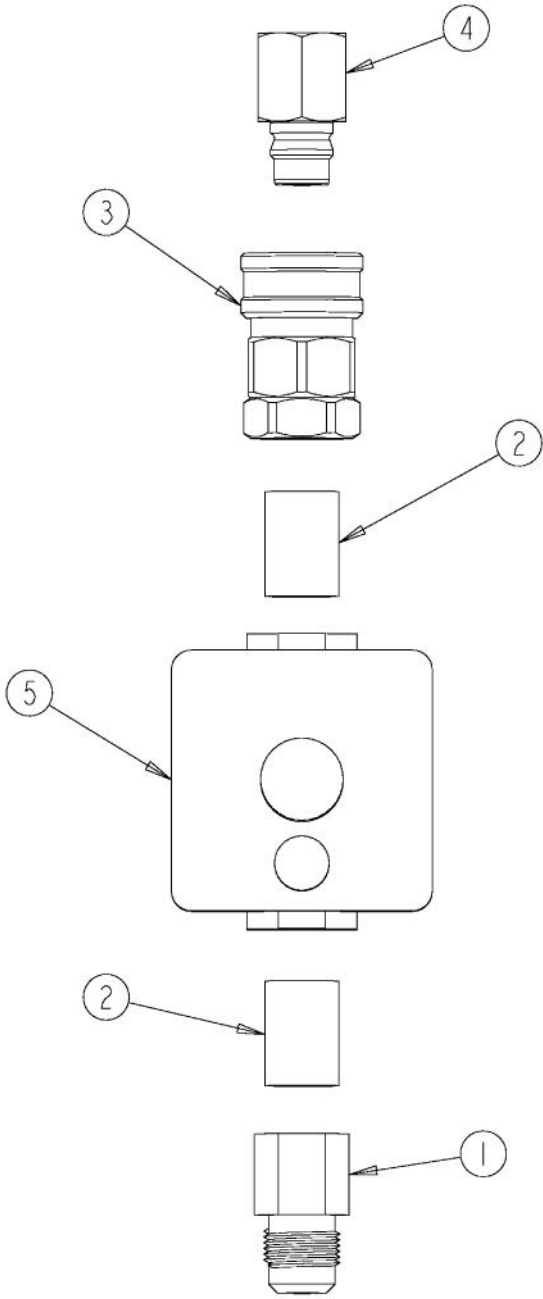


Ref #	Part Number	Qty.	Description
1	PD030064		CAPTURE NUT 1/4 NO.20
2	PD020056		NO.10-24 X 1/2 PH.TR. M.S. SS
3	B2005284		PHASE II ROTIS BOX FRONT
4	B2005285		PHASE II ROTIS BOX FRONT
5	B2005286		PHASE II ROTIS COVER
6	PD020055		NO.10 X 1/2 PAN PHIL. TEK. SS
7	PE070184		ROTISSERIE MOTOR
8	PE070189		ELECTRICAL SUPPLY CORD - BBQ GRILL
9	PE050051		ROTISSERIE SWITCH
10	PE050046		ROTISSERIE SWITCH BOOT
11	B1005283		ROTISSERIE MOUNTING PLATE (PHASE 2)
12	PD010090		ROTISSERIE FASTENER KNOB
13	PD040044		SNAP THRU BUSHING 1/4DIA CORD
NI	G3205282		ROTISSERIE MOTOR ASSEMBLY (PHASE 2)

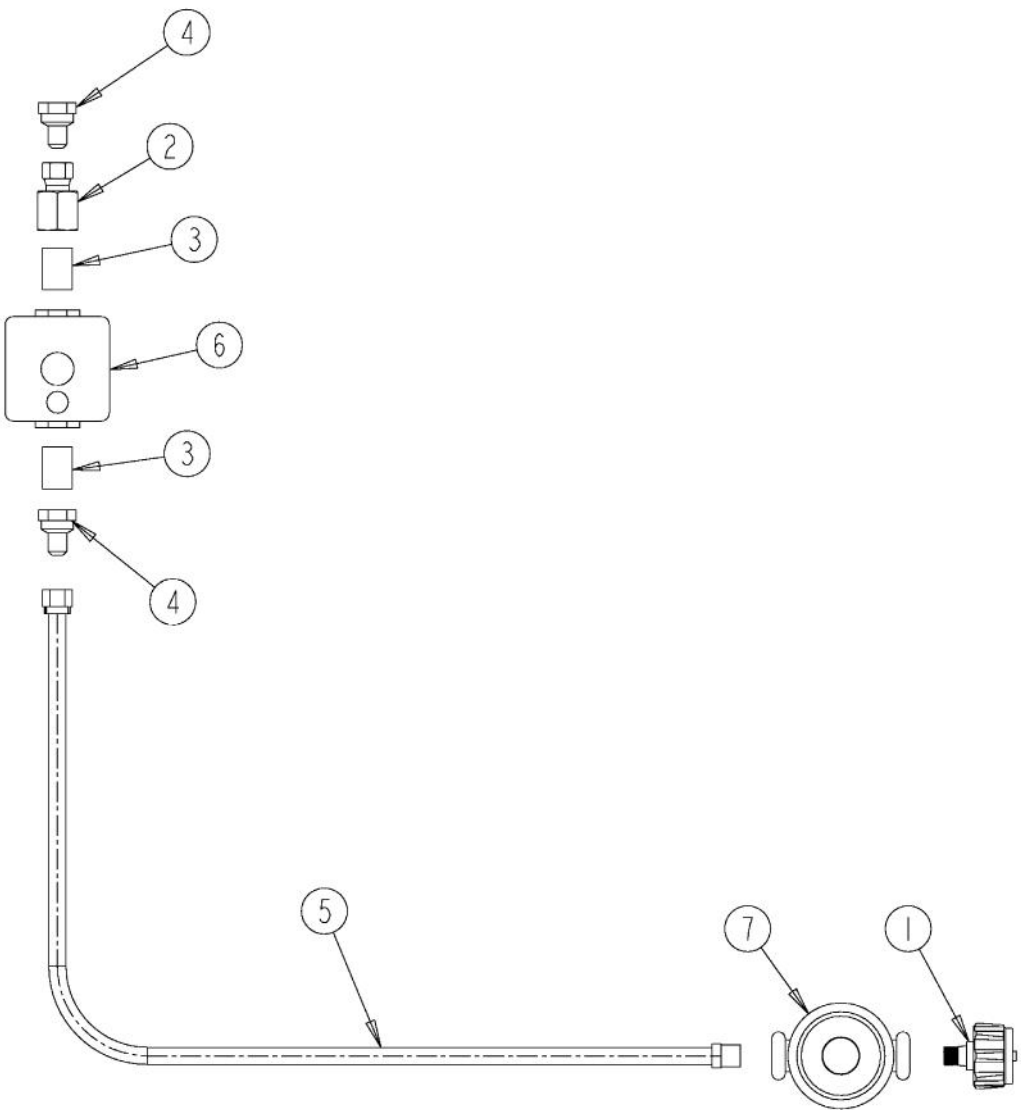




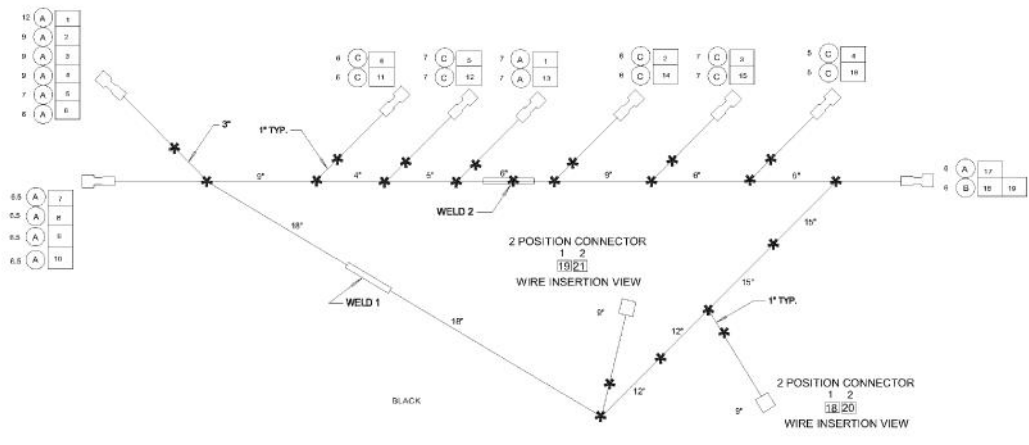
Ref #	Part Number	Qty.	Description
1	PD040166		GRILL THERMO SPACER
2	PD020069		CAP SCREW 1/4-20 X 3/4 SS
3	B3005292		CANOPY END RH (PHASE 2)
4	B3005293		CANOPY END LH (PHASE 2)
5	PE030041		DOOR HANDLE (CANOPY) XSSX (VGBQ30)
NI	PE030045PVD		CANOPY HANDLE (30) PVD
6	B2005301		CANOPY HEAT SHIELD -(PHASE 2)
7	PE030001		BRACKET, DOOR, HANDLE
NI	PE030001PVD		END CAP DOOR HANDLE XBR
8	PD040010		DOOR HANDLE SPACER
9	B2005298		GRILL CANOPY 30 (PHASE 2)
10	PB010337		GRILL THERMOMETER
11	B2005294		INSIDE CANOPY END RH (PHASE 2)
12	B2005295		INSIDE CANOPY LH (PHASE 2)
13	PD020055		NO.10 X 1/2 PAN PHIL. TEK. SS
14	PB010192		THERMOSTAT BEZEL
NI	PB010212		THERMOSTAT BEZEL BRASS
NI	G3205304SS		CANOPY ASSY 30 (P2 GRILL) XSSX
NI	G3205304SSBR		CANOPY ASSY 30 (P2 GRILL) XSSXBRX



Ref #	Part Number	Qty.	Description
1	PB020239		7/8 FLARE TO 1/2 FEMALE CONNECTOR
2	PB040046		1/2 CLOSE NIPPLE (VGSO166)
3	PB040166		FEMALE COUPLER (PHASE 1 GRILL)
4	PB040167		MALE COUPLER (PHASE 1 GRILL)
5	PA070006		PRESSURE REGULATOR - NATURAL
NI	G3004936		REGULATOR ASSY - NAT (P1 GRILL)



Ref #	Part Number	Qty.	Description
1	PA010138		CYLINDER CONNECTION
2	PB040235		1/2NPT TO 3/8 FLARE COUPLING
3	PB040046		1/2 CLOSE NIPPLE (VGSO166)
4	PB040146		1/2 X 3/8 FLARE ADAPTER (VGBQ)
5	PB020227		HIGH PRESSURE LP HOSE
6	PA070005		PRESSURE REG.(LP) RV47L-77-10.0
7	PA070007		LP TANK REGULATOR (VGBQ)
NI	G3004937		REGULATOR ASSY - L.P. W/HOSE



Ref #	Part Number	Qty.	Description
1 NI	PE070814 025322-000	1	WIRE HARNESS (VGBQ4122RE) HARNESS, WIRE, ROTISSERIE