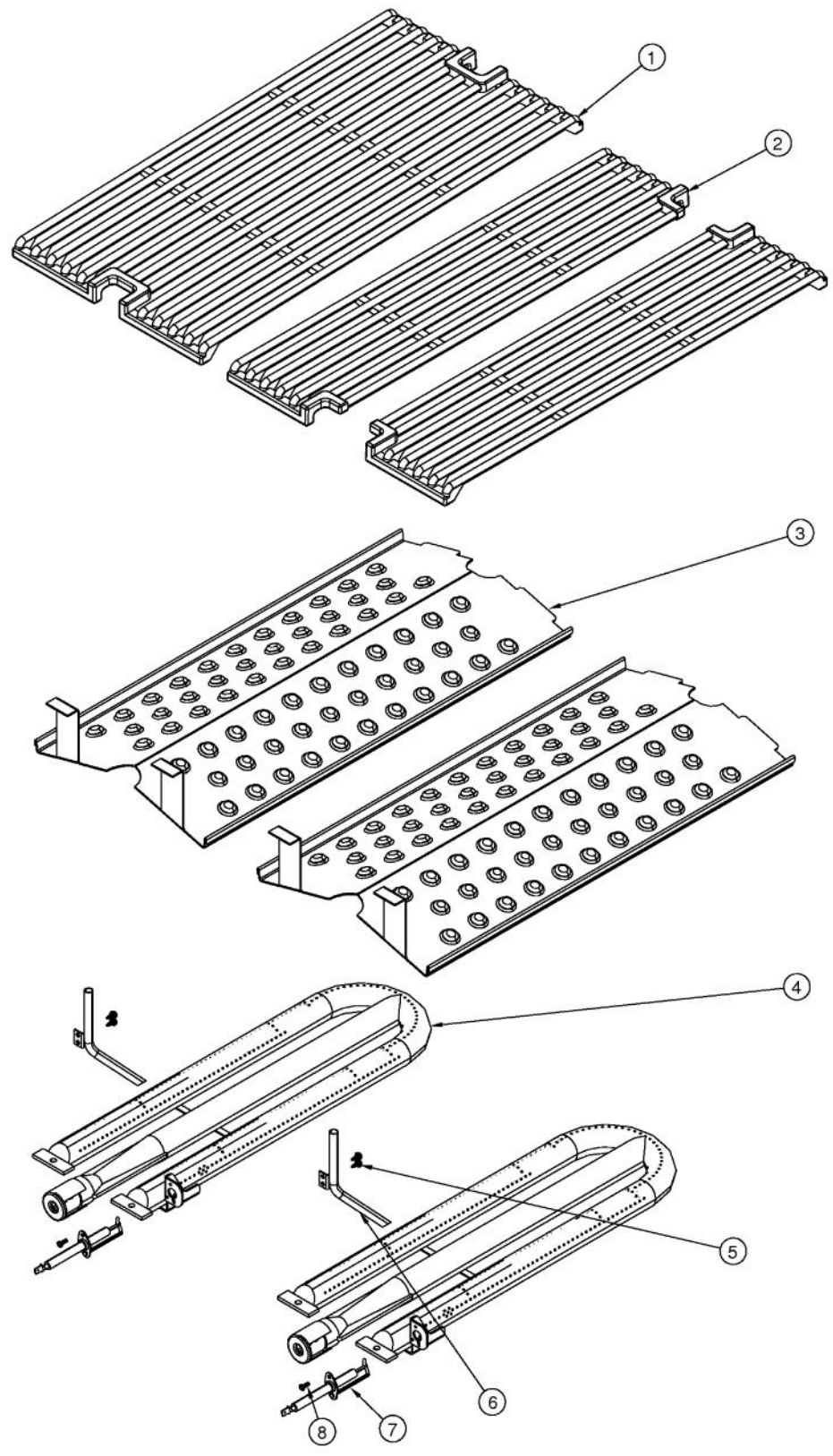
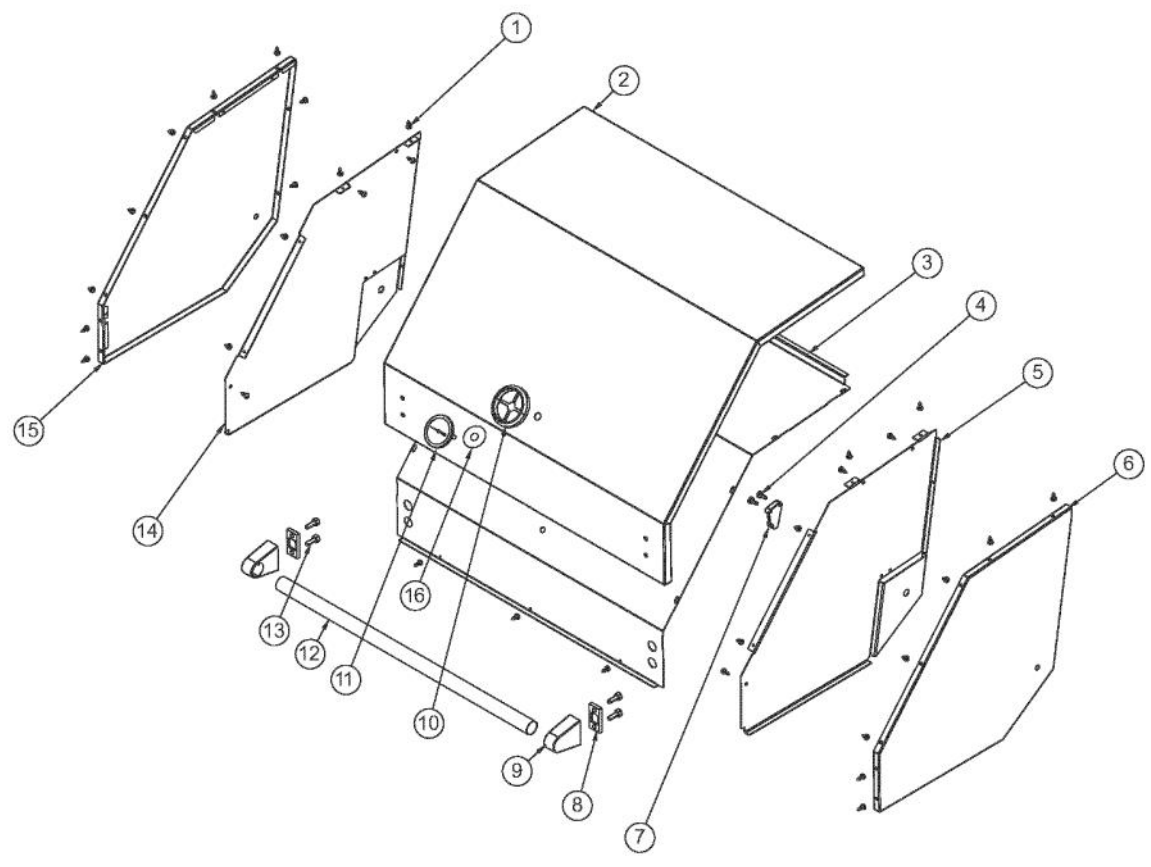


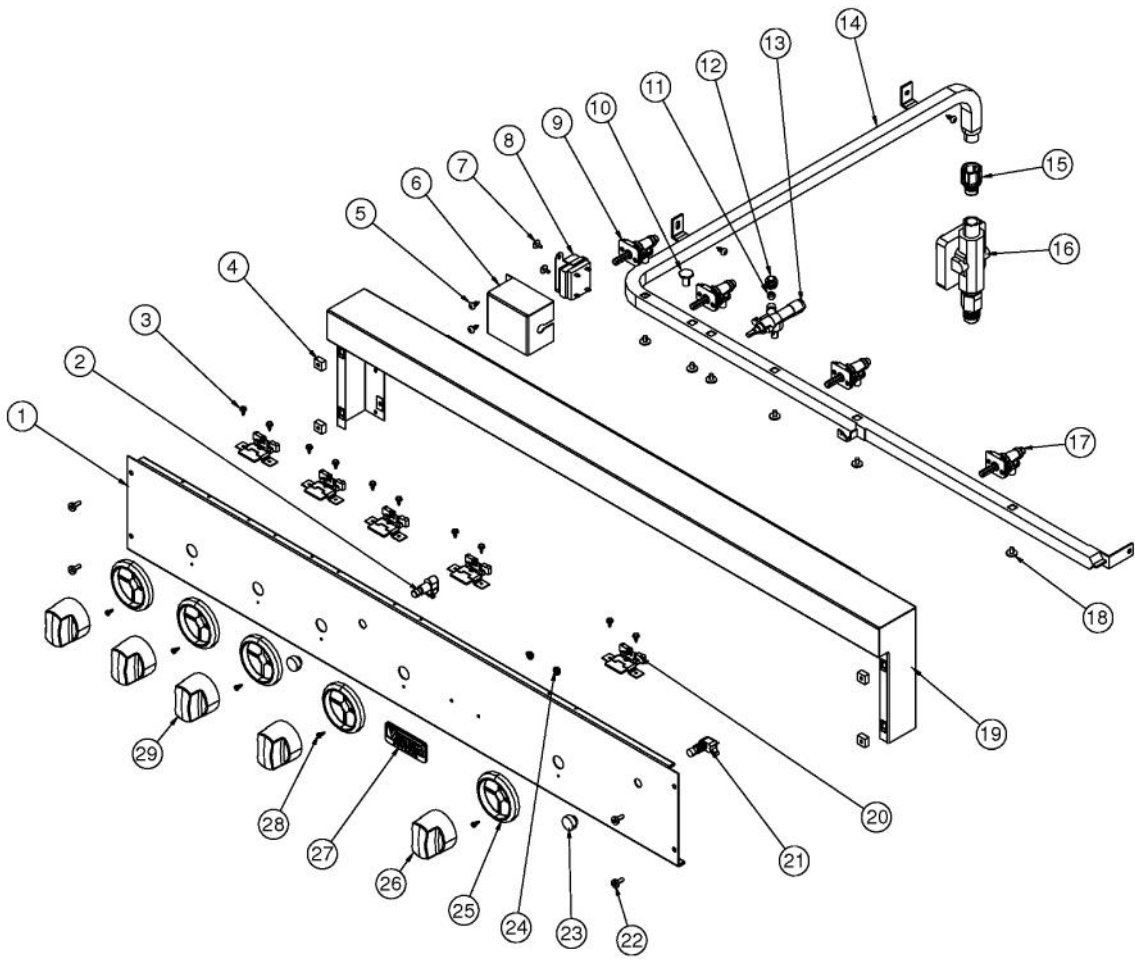
Ref #	Part Number	Qty.	Description
1	B20015516	1	GRILL FRAME 30
2	020051-000	62	SCR, DR, PHLP,PNH, 410SS, NPLT, 10-16 X 1/2
3	006010-000	2	GRILL BURNER REAR BRACKET
4	025544-000	1	BOX, BNR, BACK, 30
5	025543-000	2	BOX, BRN, BOT, 30
6	002354-000	1	GRILL PLUG PLATE
7	B2006305	2	HEAT SHIELD BRACKET
8	L1004881	1	REAR HEAT SHIELD 41 (PHASE 2)
9	002671-000	2	RUBBER DOOR BUMPER
10	002353-000	2	GRILL PLUG VENT
11	004092-000	1	4122 GRILL REAR TRIM
12	B20015512	1	GRILL BOX BACK 41
13	002355-000	2	GRILL RECEPTACLE BOX
14	A20015411	1	GRILL WIRE CHANNEL - 41 REAR
15	B2005203	1	GRILL BOX SIDE RH (PHASE 2)
16	L1005398	2	SIDE HEAT SHIELD
17	PD030050	4	10-24 CAGE NUT SS
18	PD020056	4	NO.10-24 X 1/2 PH.TR. M.S. SS
19	B20015509	1	GRILL BOX BOTTOM 41
20	PE070791	1	GRILL POWER SUPPLY CORD (8 FT)
21	A20015412	1	GRILL WIRE CHANNEL - 42 SHORT
22	025795-000	1	SUPPORT, GRL, FR, VGBQ4122RE2
23	PD040044	1	SNAP THRU BUSHING 1/4DIA CORD
24	B2005204	1	PANEL, GRL, LH
25	025542-000	1	BOX, BNR, FR, 30
26	006011-000	4	GRILL BURNER FRONT BRACKET
27	PD020166	1	NO.10 X 3/4 PAN PHIL. TEK. XSSX
28	PA020048	1	INVENSYS 0+6 RE-IGNITION SPARK MODULE
29	PE070855	1	E SERIES TERMINAL BLOCK
30	B20015566	1	0+6 SM/TB HOUSING BOTTOM
31	B30015553	1	0+6 SPARK MODULE TERMINAL HOUSING
NI	025796-000	1	HOUSING, MDL, ASM, 0+6 (INCLUDES ITEMS 31, 30, 28, 29, 2, & 27)



Ref #	Part Number	Qty.	Description
1	002369-000	1	REDESIGN BBQ GRATE - FULL
2	002370-000	2	REDESIGN BBQ GRATE - HALF
3	024157-000	2	SHIELD, GRS
4	023000-000	2	BURNER, GRL, ASM, U
5	020061-000	4	SCR,DR,PHLP,HXWH,410SS,NPLT, 6-20 X 3/8
6	PB020114	2	FLASH TUBE (VGBQ3002T)
7	PB040288	2	SMOKER BURNER IGNITER
8	004706-000	2	MACHINE SCREW, 6-32 X 3/8, PAN HD, PHILLIPS
NI	025701-000	2	BURNER, GRL, ASM (INCLUDES ITEMS 4, 7, & 8)

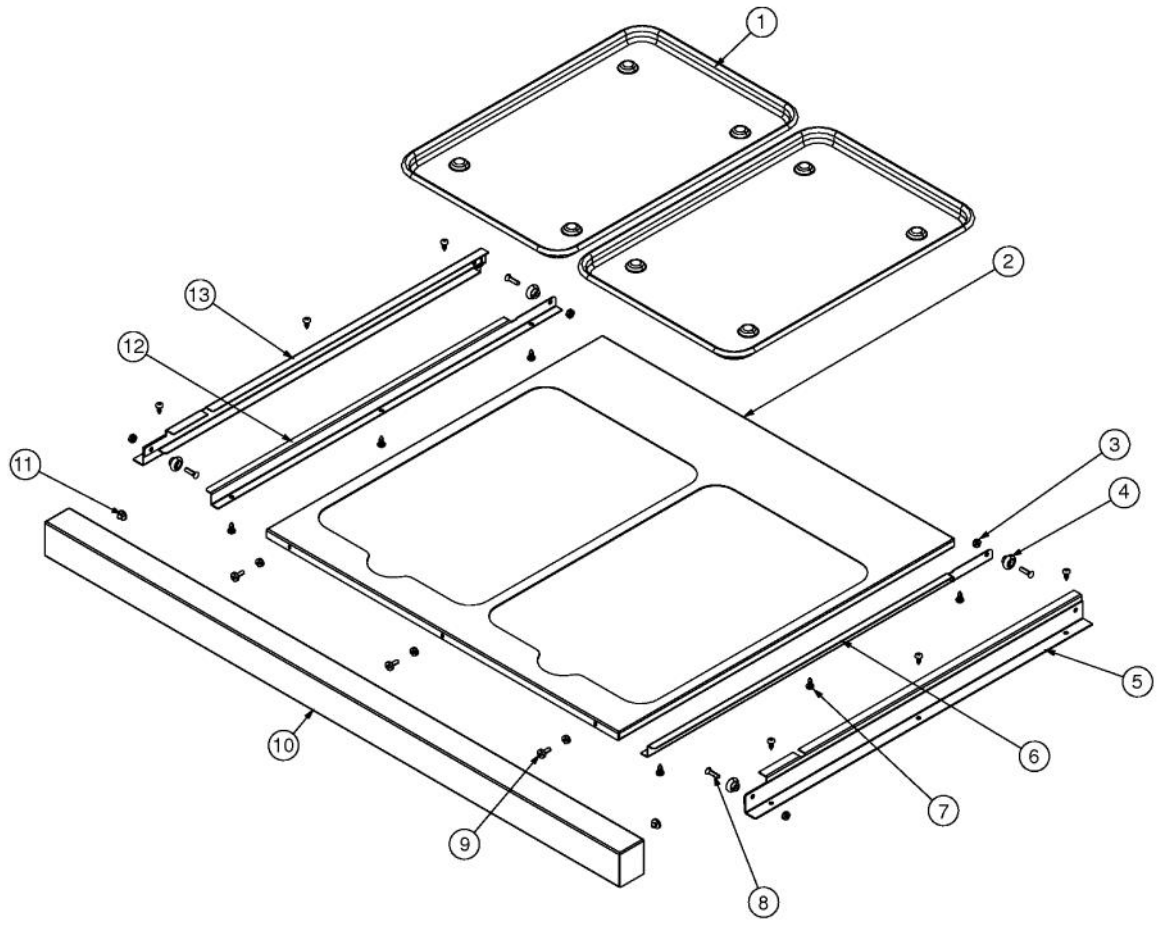


Ref #	Part Number	Qty.	Description
1	020051-000	35	SCR, DR, PHLP,PNH, 410SS, NPLT, 10-16 X 1/2
2	025802-000	1	SHIELD, CANOPY, FR
3	003635-000	1	30 CANOPY HEAT SHIELD
4	PD020056	2	NO.10-24 X 1/2 PH.TR. M.S. SS
5	007379-000	1	GRILL CANOPY INSIDE RH
6	003630-000	1	GRILL CANOPY OUTSIDE RH
7	007215-000	1	CANOPY SPRING END MOUNT-RH
8	PD040010	2	DOOR HANDLE SPACER
9	000268-000	2	HANDLE END CAP ASSY
10	PB010304	1	KNOB BEZEL
11	020659-000	1	GAUGE, BMTL, TEMPERATURE
12	PE030041	1	DOOR HANDLE (CANOPY) XSSX (VGBQ30)
13	PD020069	4	CAP SCREW 1/4-20 X 3/4 SS
14	003633-000	1	GRILL CANOPY INSIDE LH
15	003632-000	1	GRILL CANOPY OUTSIDE LH
16	026724-000	1	SPACER, WSHR
NI	025805-000	1	HOOD, GRL, ASM, 30 (INCLUDES ITEMS 1 - 15)

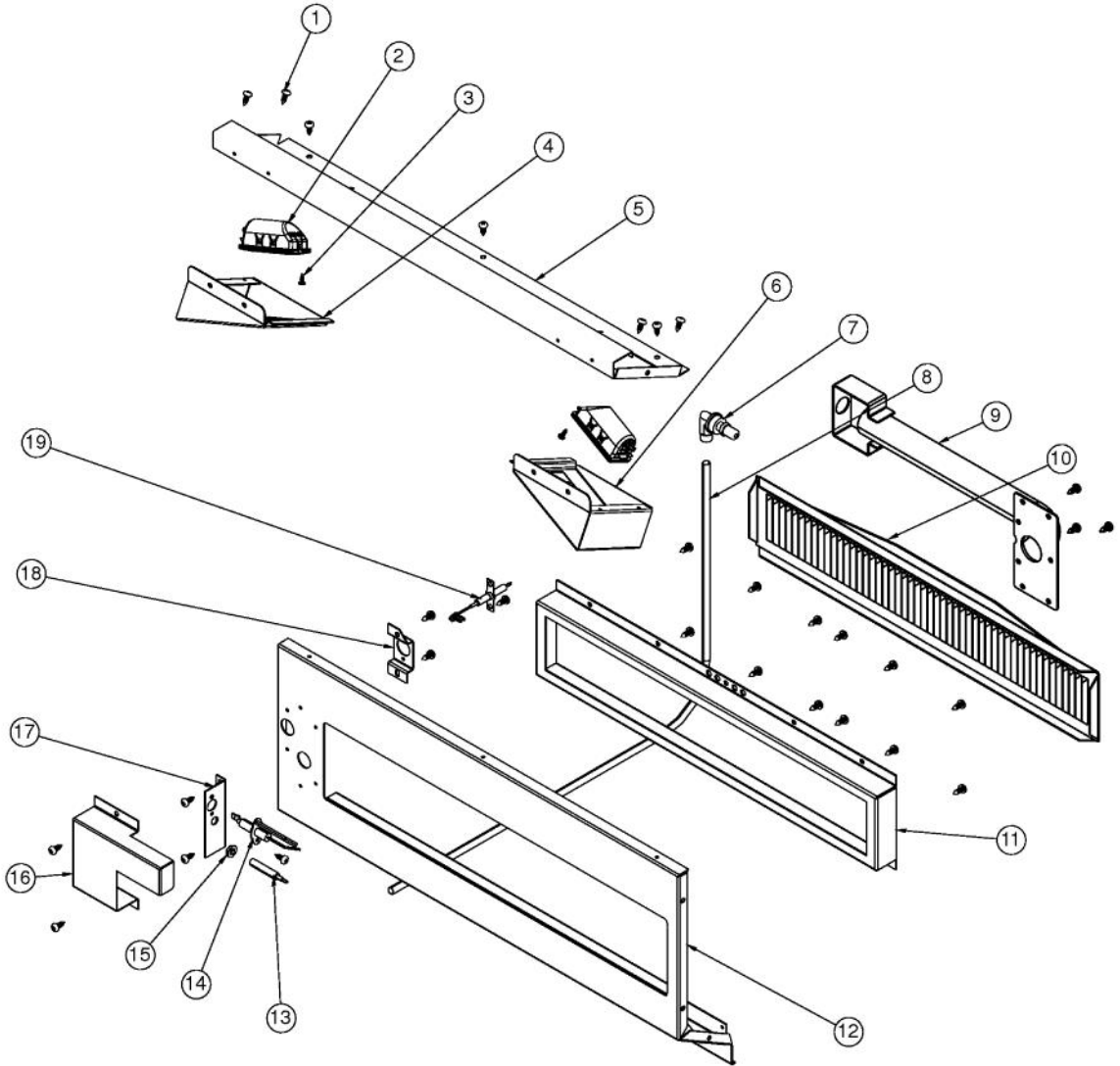


Ref #	Part Number	Qty.	Description
1	025792-000	1	PANEL, CTRL, VGBQ4122RE2
2	PE050063	1	SPARKER SWITCH
3	020061-000	10	SCR,DR,PHLP,HXWH,410SS,NPLT, 6-20 X 3/8
4	PD030050	4	10-24 CAGE NUT SS
5	020051-000	4	SCR, DR, PHLP,PNH, 410SS, NPLT, 10-16 X 1/2
6	007657-000	1	PROT. COVER
7	PD020073	2	SRW NO.10 X 24 X 3/8 WAFER HD TYPE23
8	006021-000	1	SCE, PWR, LED, 12VAC
9	006390-000	2	GAS VALVE - NAT.
9	006391-000	2	GAS VALVE - LP
10	002884-000	1	MANIFOLD PLUG
11	PB040263	1	5/16 FERRULE
12	PB040228	1	FITTING BRASS COMPRESSION NUT
13	PB010191	1	I.R. SAFETY VALVE (PHASE II GRILLS)
13	PB010220	1	I.R. SAFETY VALVE LP
14	025728-000	1	MANIFOLD, GRL, 41
15	023650-000	1	NIPPLE, ASM
16	G3004936	1	REGULATOR ASSY - NAT (P1 GRILL)
16	G3004937	1	REGULATOR ASSY - L.P. W/HOSE
17	006388-000	2	GAS VALVE - NAT.
17	006389-000	2	GAS VALVE - LP
18	PD010012	6	VALVE BOLT 1/4-20 UNC-2B 5/16 M.S.
19	G3005222	1	LANDING LEDGE ASSY-41 (PHASE 2)
20	005999-000	5	LED BOARD ASSEMBLY
21	PE050019	1	OVEN LIGHT SWITCH (VGSO166) 90-DEG.
22	PD020056	4	NO.10-24 X 1/2 PH.TR. M.S. SS
23	PB010163	2	OVEN LIGHT SWITCH KNOB BK
24	PD030006	2	CAPPED WASHER PAL NUT
25	PB010304	5	KNOB BEZEL
26	003561-000	4	OUTDOOR GRILL KNOB
27	015009-000	1	OUTDOOR LOGO - 3 CHROME
28	020041-000	5	SCR, DR, PH, PNH, 410 SS, NPLT, 6-20 X 3/8
29	003563-000	1	ROTIS BURNER KNOB
NI	025791-000	1	MANIFOLD, GAS, ASM, VGBQ4122RE (INCLUDES ITEMS 14, 17, 13, 10, 18, 15, & 9)
NI	025702-000	1	HOUSING, XFMR, ASM (INCLUDES ITEMS 6, 8, & 7)
NI	026747-000	1	MANIFOLD, LP GAS ASM, VGBQ4122RE2 (INCLUDES ITEMS 6, 8, & 7)
NI	025794-000	1	PANEL, CTRL, ASM, VGBQ4122RE2 (INCLUDES ITEMS 1, 27, 24, 25, 2, 22, 23, 20, 28, & 3)

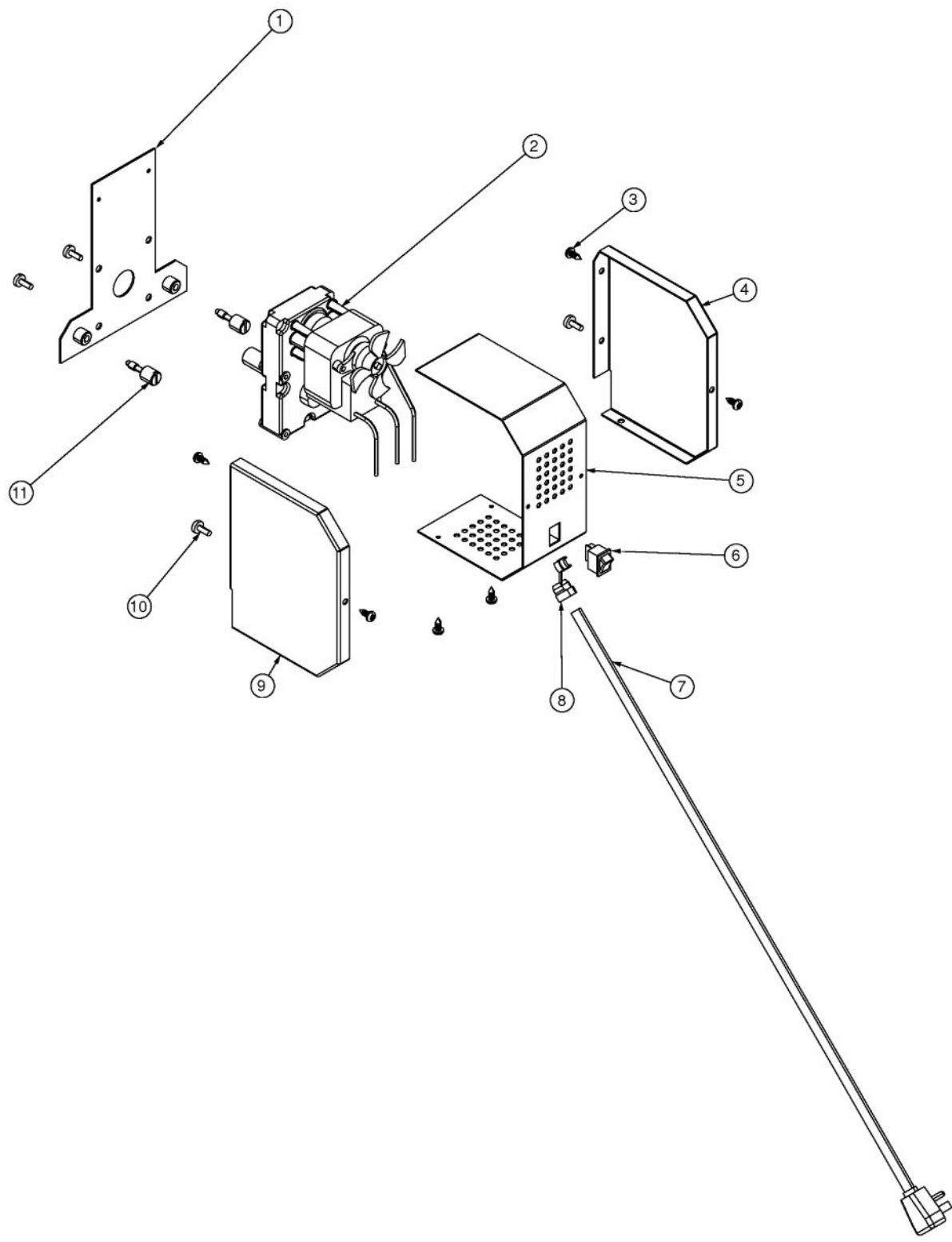




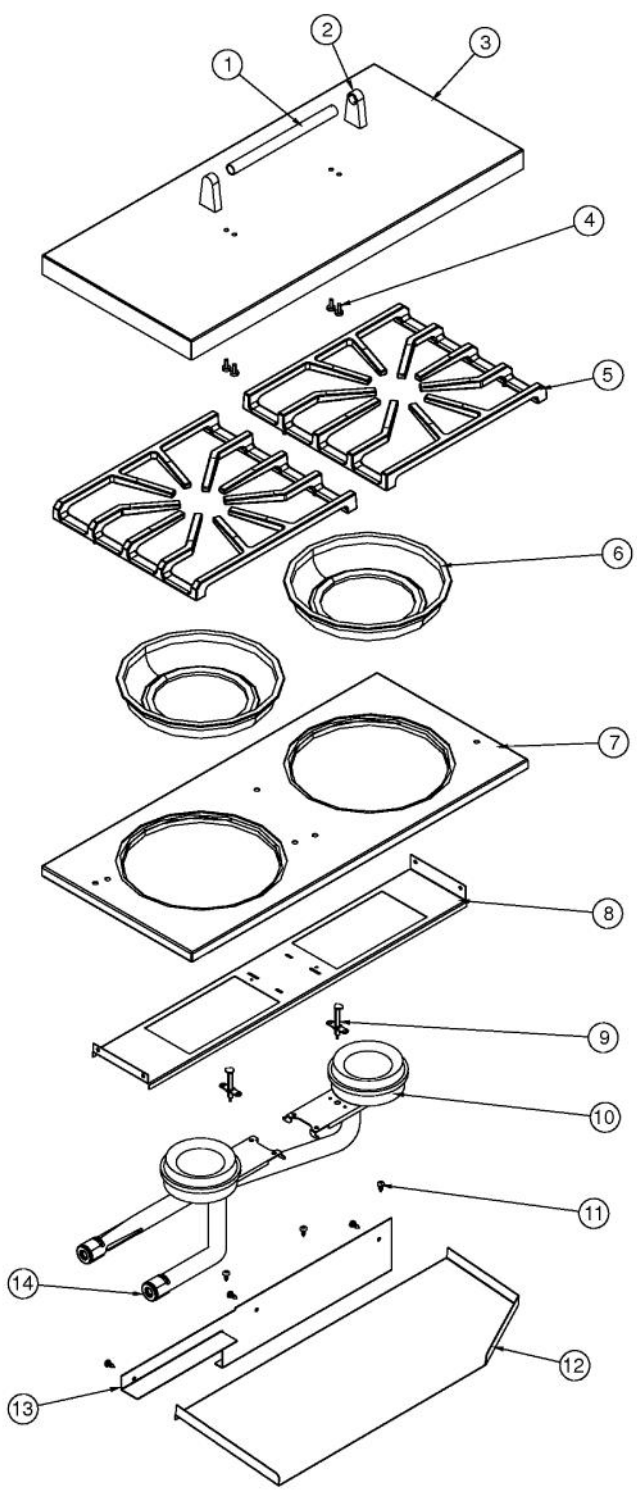
Ref #	Part Number	Qty.	Description
1	J2101749	2	GREASE PAN
2	B2005311	1	DRIP TRAY 41 SIDE
3	PD030044	7	10-24 KEPS NUT SS
4	PC020025	4	DRIP TRAY WHEEL
5	G3005215	1	DRIP TRAY SLIDE - RH
6	B2005316	1	DRIP TRAY RUNNER RH
7	020051-000	12	SCR, DR, PHLP,PNH, 410SS, NPLT, 10-16 X 1/2
8	PD020082	4	10 X 24 COUNTERSUNK S.S. SCREW
9	PD020056	3	NO.10-24 X 1/2 PH.TR. M.S. SS
10	B3005314	1	41 DRIP TRAY HANDLE (PHASE 2)
11	PD040004	2	GROMMET BUMPER
12	B2005317	1	DRIP TRAY RUNNER LH (PHASE 2)
13	G3005214	1	DRIP TRAY SLIDE - LH
NI	G3205307	1	41" DRIP TRAY ASSY W/SIDE BURNER (INCLUDES ITEMS 2, 12, 6, 4, 8, & 3)



Ref #	Part Number	Qty.	Description
1	020051-000	27	SCR, DR, PHLP,PNH, 410SS, NPLT, 10-16 X 1/2
2	001310-000	2	120V HALOGEN LIGHT
3	020041-000	2	SCR, DR, PH, PNH, 410 SS, NPLT, 6-20 X 3/8
4	000602-000	1	GRILL LIGHT HOUSING LH
5	E9105393	1	30`` FRONT HOUSING TOP
6	000603-000	1	GRILL LIGHT HOUSING RH
7	PB040124	1	90 DEG. ORIFICE FITTING
7	PB040125		ORIFICE FTG 90D 20IR NO.57 HD YELLOW
8	PB020096	1	48 5/16 S.S. FLEX TUBING REPL F2003505
9	PB050060	1	I/R VENTURI (PHASE 2 BBQ)
10	G3005289	1	BURNER,ASM,,ASM,IR,20
11	B2005347	1	INFRARED FRAME
12	G91015522	1	FRONT HOUSING ASSY (VGIQ3002RT)
13	PB010162	1	THERMOCOUPLE - BBQ GRILL W/ ROTIS
14	PB040160	1	WOK IGNITER
15	PD030048	1	THERMOCOUPLE NUT M08-VGBQ-8743300007
16	B20015402	1	I/R IGNITOR COVER LH
17	B20015403	1	IR IGNITOR BRACKET
18	B20015401	1	FLEXIBLE IGNITOR STANDOFF
19	PB040280	1	FLEXIBLE ROTISSERIE IGNITOR

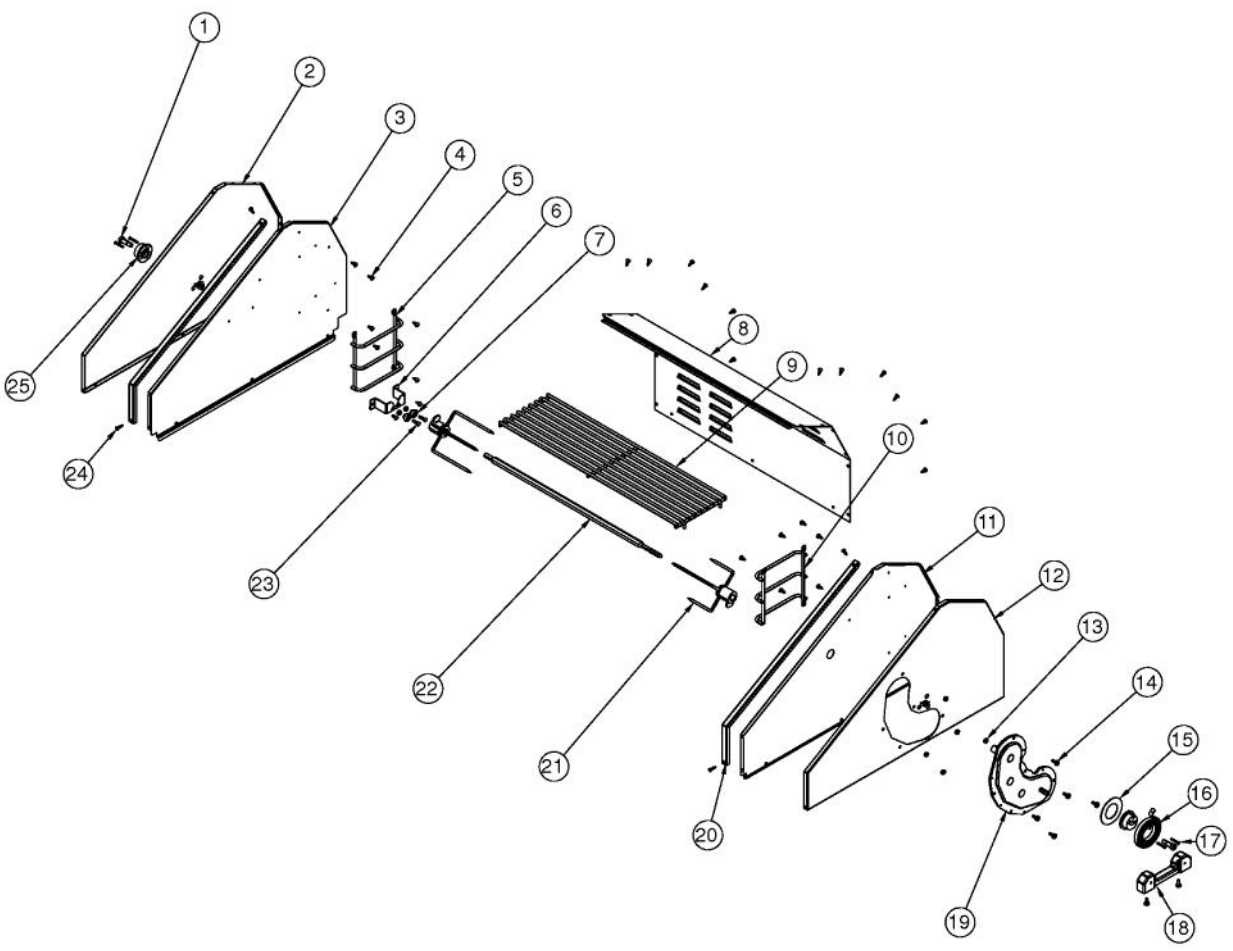


Ref #	Part Number	Qty.	Description
1	002081-000	1	ROT MOTOR MOUNTING PLATE ASSY
2	PE070184	1	ROTISSERIE MOTOR
3	020051-000	6	SCR, DR, PHLP,PNH, 410SS, NPLT, 10-16 X 1/2
4	B2005285	1	PHASE II ROTIS BOX FRONT
5	B2005286	1	PHASE II ROTIS COVER
6	PE050051	1	ROTISSERIE SWITCH
7	PE070189	1	ELECTRICAL SUPPLY CORD - BBQ GRILL
8	PD040044	1	SNAP THRU BUSHING 1/4DIA CORD
9	B2005284	1	PHASE II ROTIS BOX FRONT
10	PD020056	4	NO.10-24 X 1/2 PH.TR. M.S. SS
11	PD010090	2	ROTISSERIE FASTENER KNOB
NI	G3205282	1	ROTISSERIE MOTOR ASSEMBLY (PHASE 2) (INCLUDES ITEMS 1 THRU 11)



Ref #	Part Number	Qty.	Description
1	PE030197	1	VGIQ30 COVER HANDLE
2	PE030187	2	ENDCAP, TUBE
3	004459-000	1	GRILL SIDE BURNER COVER
4	PD020056	4	NO.10-24 X 1/2 PH.TR. M.S. SS
5	003082-000	2	OUTDOOR SPIDER GRATE
6	PA030002	2	BURNER BOWL
7	004461-000	1	41 GRILL SIDE BURNER GRATE SUPPORT
8	B2005260	1	PHASE II BURNER SUPPORT
9	PA020028	2	SPARK IGNITER
10	004278-000	1	SS BURNER ASM, REAR TOP
11	020051-000	6	SCR, DR, PHLP,PNH, 410SS, NPLT, 10-16 X 1/2
12	B20015507	1	GREASE DIVERTER
13	B20015506	1	SIDE BURNER DRIP SHIELD
14	004277-000	1	SS BURNER ASM, FRONT SIDE
NI	004460-000	1	GRILL SIDE BURNER COVER ASSEMBLY (INCLUDES ITEMS 3, 2, & 1)





Ref #	Part Number	Qty.	Description
1	PD010043	2	5/16INCH SHOULDER BOLT (PHASE 2)
2	G5005257	1	OUTSIDE WINDSHIELD ASSY LH
3	B20015419	1	INSIDE WINDSHIELD LH
4	020051-000	26	SCR, DR, PHLP,PNH, 410SS, NPLT, 10-16 X 1/2
5	PB060113	1	WARMING RACK SUPPORT LH
6	B2005278	1	ROTISSERIE ROLLER BRACKET (PHASE 2)
7	PC020025	2	DRIP TRAY WHEEL
8	003652-000	1	30 GRILL REAR COVER
9	PB060057	1	WARMING RACK 30
10	PB060112	1	WARMING RACK SUPPORT RH
11	B20015418	1	INSIDE WINDSHIELD RH
12	G5005256	1	OUTSIDE WINDSHIELD ASSY RH
13	PD030044	7	10-24 KEPS NUT SS
14	PD020056	7	NO.10-24 X 1/2 PH.TR. M.S. SS
15	007818-000	1	RETAINER, CANOPY SPRING
16	007206-000	1	CANOPY, SPRING, ASSIST- LIGHT
17	006779-000	4	NO.6-32 X 1.0 SS FLAT HD SCREW
18	PB060055	1	ROTISSERIE MOUNT CASTING
19	PC070024	1	ROTIS. GEAR BOX ASSY
20	B20015574	2	GRILL WINDSHIELD TRIM
21	PB060058	2	SPIT FORK
22	PB060054	1	ROTIS SPIT ROD 30
23	PD020082	2	10 X 24 COUNTERSUNK S.S. SCREW
24	020037-000	4	SCR, DR, FCSKHP, 410 SS, NPLT, 8-18 X 3/4
25	005942-000	2	SPRING INDEX

*No Image  
Available*

Ref #	Part Number	Qty.	Description
NI	026341-000	1	HARN, MAIN, 4122RE2

*No Image  
Available*

Ref #	Part Number	Qty.	Description
NI	G4006379	1	WIRE ASSY (VGBQ-T SERIES) 25

*No Image  
Available*

Ref #	Part Number	Qty.	Description
NI	G40016230	1	IGNITOR WIRE 40



*No Image  
Available*

Ref #	Part Number	Qty.	Description
NI	G40016234	1	IGNITOR WIRE 22

*No Image  
Available*

Ref #	Part Number	Qty.	Description
NI	G40016228	1	IGNITOR WIRE 25

*No Image  
Available*

Ref #	Part Number	Qty.	Description
NI	025323-000	1	HARNESS, WIRE, ROTISSERIE

*No Image  
Available*

Ref #	Part Number	Qty.	Description
NI	006017-000	3	LED WIRE 4.875



*No Image  
Available*

Ref #	Part Number	Qty.	Description
NI	006105-000	1	LED WIRE 11.50

*No Image  
Available*

Ref #	Part Number	Qty.	Description
NI	006019-000	1	LED WIRE 10.75

*No Image  
Available*

Ref #	Part Number	Qty.	Description
NI	006384-000	1	30 & 41 WIRE ASSEMBLY

*No Image  
Available*

Ref #	Part Number	Qty.	Description
NI	G50013595	1	LP CONNECTION SERVICE KIT