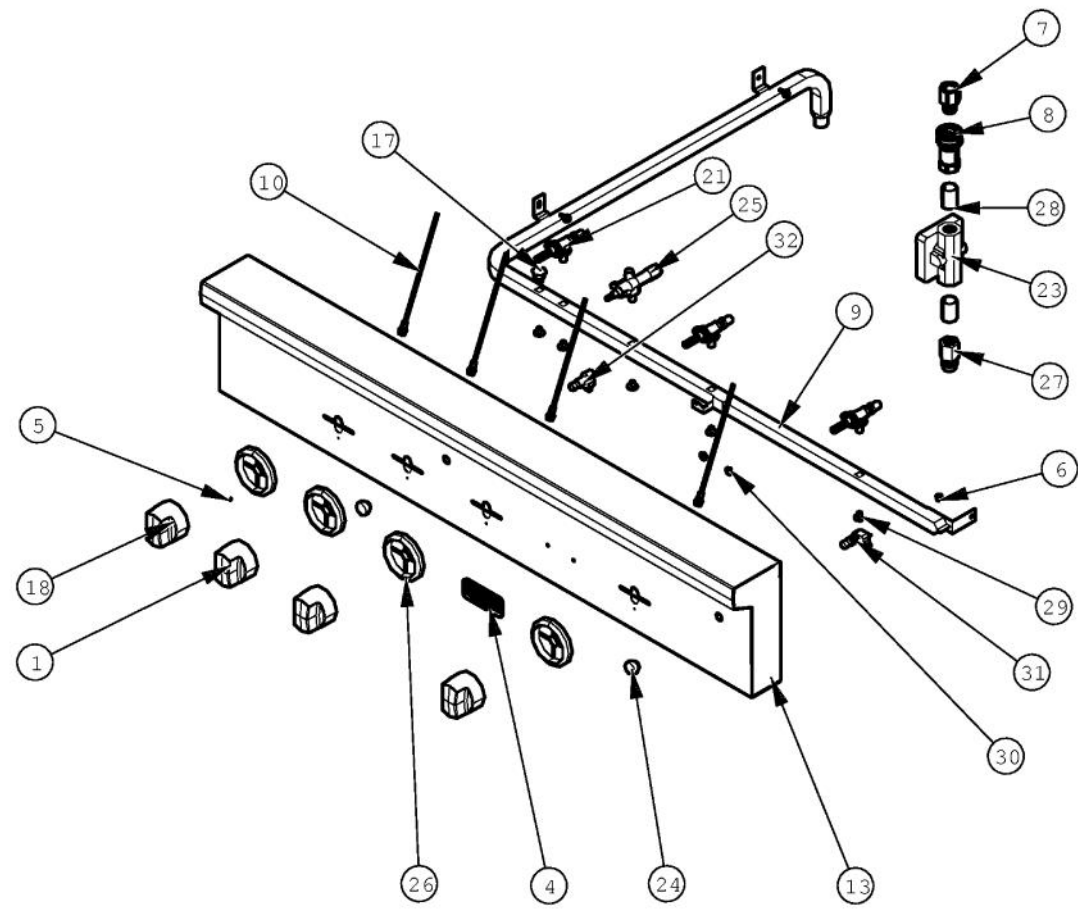
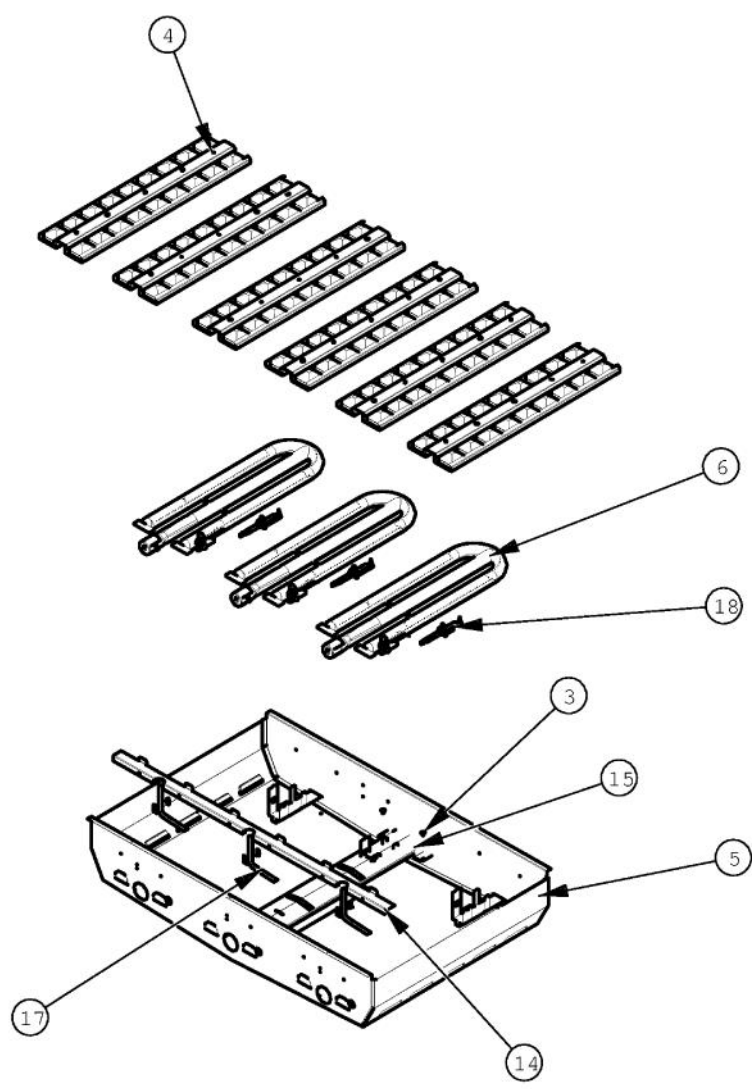


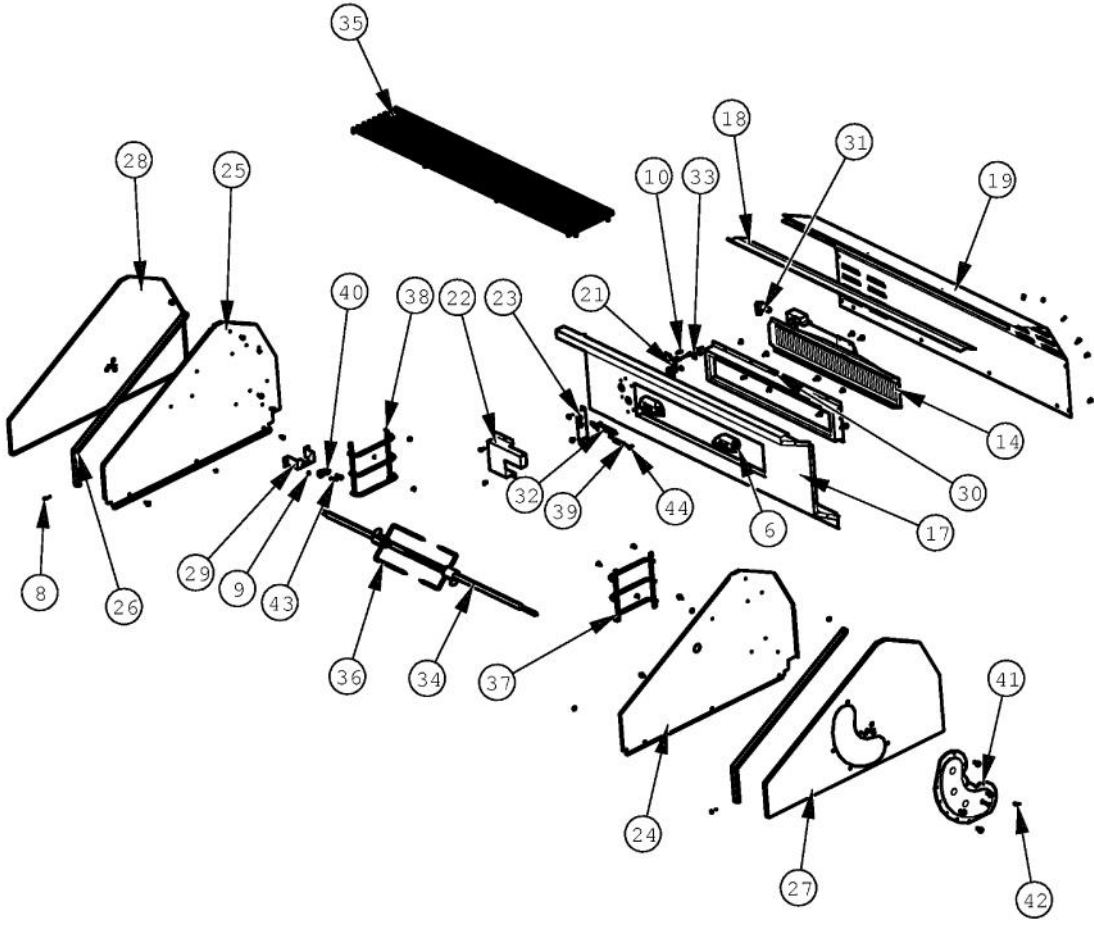
Ref #	Part Number	Qty.	Description
1	002353-000	2	GRILL PLUG VENT
2	002354-000	1	GRILL PLUG PLATE
3	002355-000	2	GRILL RECEPTACLE BOX
4	002369-000	3	REDESIGN BBQ GRATE - FULL
5	002671-000	2	RUBBER DOOR BUMPER
6	003801-000	4	SHOULDER SCREW, NO.10
7	003857-000	1	4103 GRILL REAR TRIM
8	004089-000	1	POWER CORD SHIELD
9	006021-000	1	SCE, PWR, LED, 12VAC
10	007657-000	1	PROT. COVER
11	020041-000	1	SCR, DR, PH, PNH, 410 SS, NPLT, 6-20 X 3/8
12	020051-000	4	SCR, DR, PHLP,PNH, 410SS, NPLT, 10-16 X 1/2
13	PD020055	6	NO.10 X 1/2 PAN PHIL. TEK. SS
14	025752-000	1	SUPPORT, GRL, FR, 41
15	033811-000	1	GRILL FRAME 41
16	034361-000	1	BRACKET, SPACER, BRIQUETTE
17	034426-000	2	PLATE, GUARD
18	A20015411	1	GRILL WIRE CHANNEL - 41 REAR
19	A20015412	1	GRILL WIRE CHANNEL - 42 SHORT
20	B20015509	1	GRILL BOX BOTTOM 41
21	B20015512	1	GRILL BOX BACK 41
22	B20015568	1	0+4 SM/TB HOUSING BTM
23	B2005203	1	GRILL BOX SIDE RH (PHASE 2)
24	B2005204	1	PANEL, GRL, LH
25	B2006305	2	HEAT SHIELD BRACKET
26	B30015552	1	0+4 SPARK MODULE TERMINAL HOUSING
27	L1004881	1	REAR HEAT SHIELD 41 (PHASE 2)
28	L1005398	2	SIDE HEAT SHIELD
29	PA020047	1	INVENSYS 0+4 RE-IGNITION SPARK MODULE
30	PD020073	2	SRW NO.10 X 24 X 3/8 WAFER HD TYPE23
31	PD020166	1	NO.10 X 3/4 PAN PHIL. TEK. XSSX
32	PE070855	1	E SERIES TERMINAL BLOCK



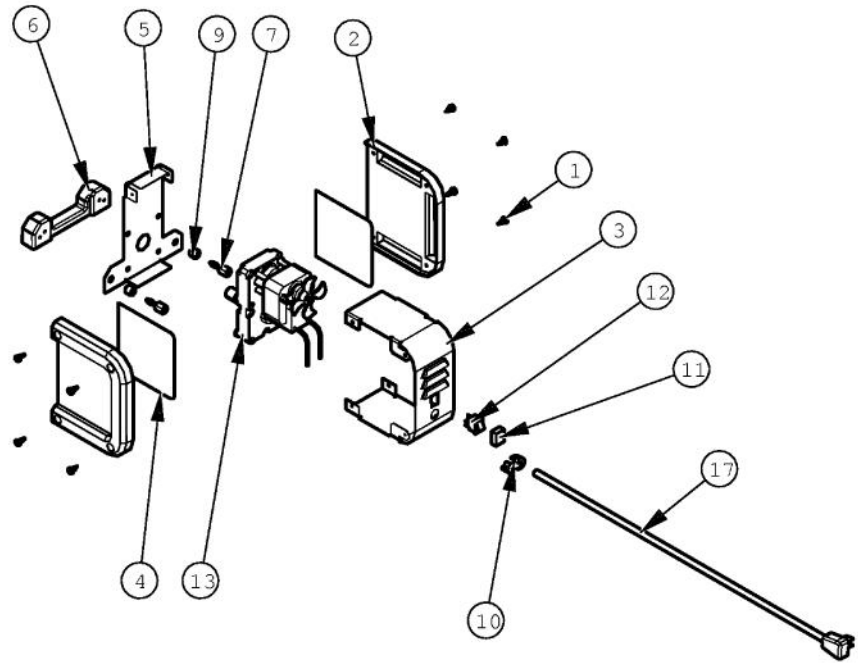
Ref #	Part Number	Qty.	Description
1	014618-000	1	GRILL ROTISSERIE KNOB - SS
4	015009-000	1	OUTDOOR LOGO - 3 CHROME
5	020041-000	1	SCR, DR, PH, PNH, 410 SS, NPLT, 6-20 X 3/8
6	PD020055	3	NO.10 X 1/2 PAN PHIL. TEK. SS
7	023650-000	1	NIPPLE, ASM
8	023652-000	1	COUPLER, ASM
9	025866-000	1	MANIFOLD, GAS, IQ4103
10	031337-000	4	LED, SHORT, ASM
13	032355-2378	1	PANEL, CNTRL WELD ASM VGBQ54203 W/GRAPHICS
17	002884-000	1	MANIFOLD PLUG
18	014616-000	3	GRILL KNOB - SS
21	006388-000	3	GAS VALVE - NAT.
23	PA070006	1	PRESSURE REGULATOR - NATURAL
23	PA070005	1	PRESSURE REG.(LP) RV47L-77-10.0
24	PB010163	2	OVEN LIGHT SWITCH KNOB BK
25	PB010191	1	I.R. SAFETY VALVE (PHASE II GRILLS)
26	PB010304	4	KNOB BEZEL
27	PB020239	1	7/8 FLARE TO 1/2 FEMALE CONNECTOR
28	PB040046	2	1/2 CLOSE NIPPLE (VGSO166)
29	PD010012	5	VALVE BOLT 1/4-20 UNC-2B 5/16 M.S.
30	PD030006	2	CAPPED WASHER PAL NUT
31	PE050019	1	OVEN LIGHT SWITCH (VGSO166) 90-DEG.
32	PE050063	1	SPARKER SWITCH
NI	PB020227	1	HIGH PRESSURE LP HOSE
NI	PA070007	1	LP TANK REGULATOR (VGBQ)
NI	PA010138	1	CYLINDER CONNECTION
NI	PB040146	1	1/2 X 3/8 FLARE ADAPTER (VGBQ)
NI	PB040235	1	1/2NPT TO 3/8 FLARE COUPLING



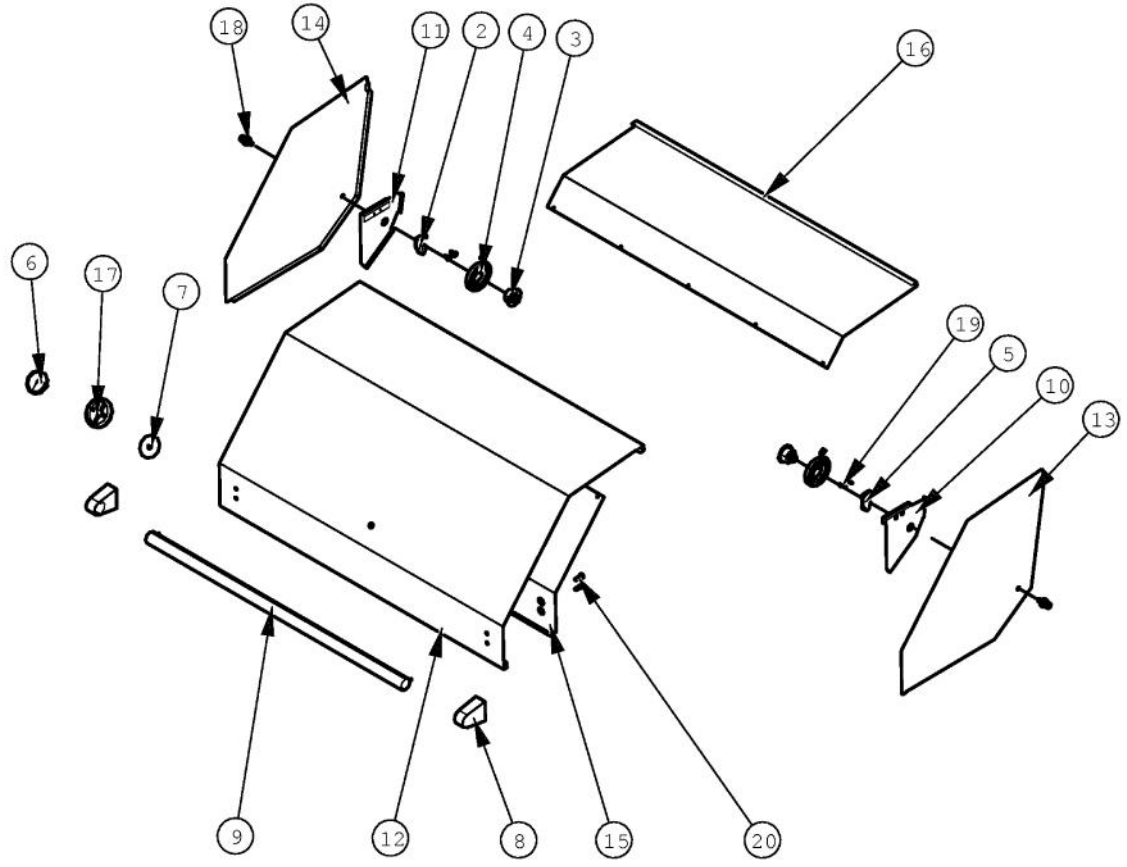
Ref #	Part Number	Qty.	Description
3	PD020055	4	NO.10 X 1/2 PAN PHIL. TEK. SS
4	032381-000	6	TRAY, CRMC, BRIQUETTE, ASM
5	032225-000	1	BURNER BOX ASM, 542 BQ
6	023000-000	3	BURNER, GRL, ASM, U
14	034361-000	1	BRACKET, SPACER, BRIQUETTE
15	B2005246	1	BURNER BOX SHIELD (PHASE 2)
17	PB020114	3	FLASH TUBE (VGBQ3002T)
18	PB040288	3	SMOKER BURNER IGNITER



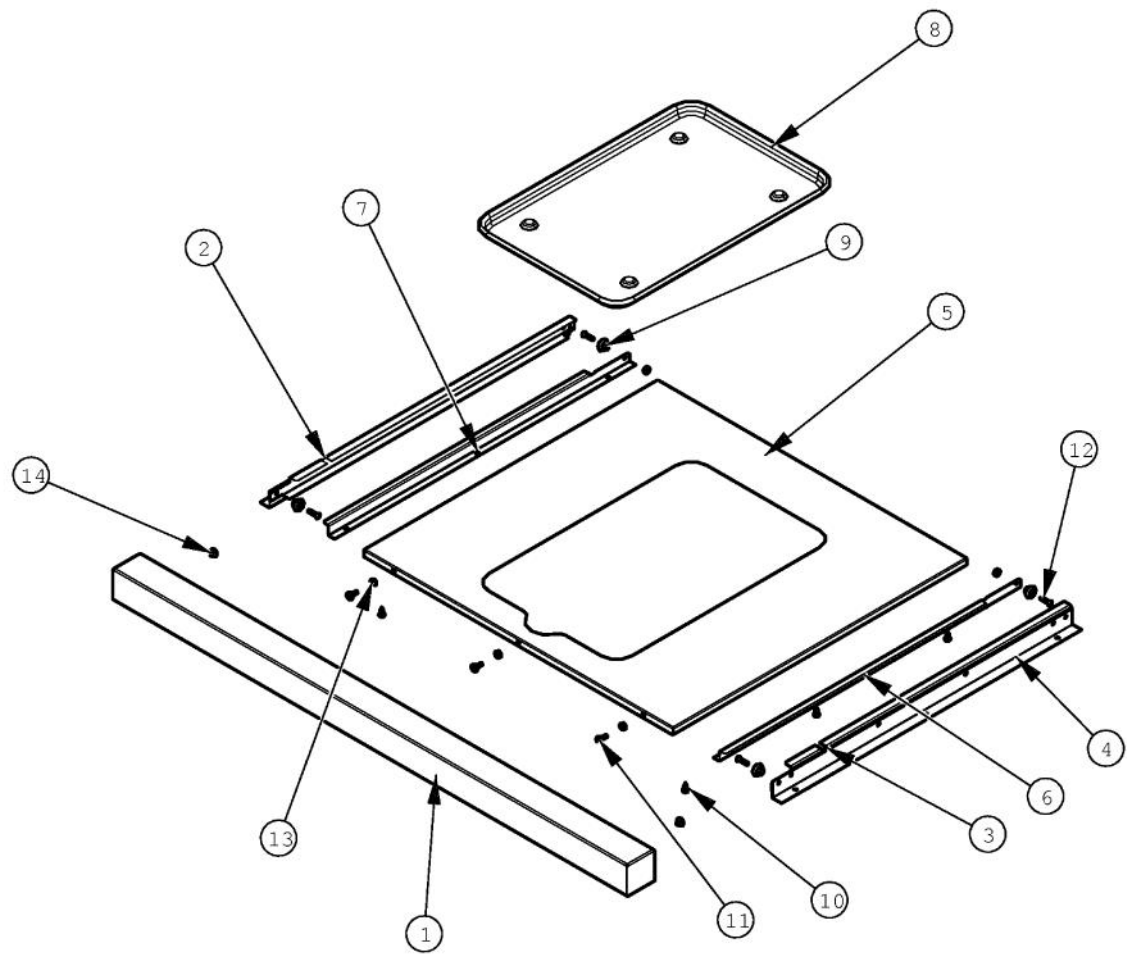
Ref #	Part Number	Qty.	Description
6	001310-000	2	120V HALOGEN LIGHT
8	020037-000	4	SCR, DR, FCSKHP, 410 SS, NPLT, 8-18 X 3/4
10	020055-000	1	SCR, DR, HXWH, 410SS, NPLT, 10-18 X 1/2
14	G3005289	1	BURNER,ASM,,ASM,IR,20
17	032513-000	1	WALL, GRILL, INNER, REAR 542
18	034141-000	1	SHIELD, TOP, GRILL, 42
19	003653-000	1	41 GRILL REAR COVER
19	034159-000	1	GRILL, CVR , REAR, 42
21	B20015401	1	FLEXIBLE IGNITOR STANDOFF
22	B20015402	1	I/R IGNITOR COVER LH
23	B20015403	1	IR IGNITOR BRACKET
24	B20015418	1	INSIDE WINDSHIELD RH
25	B20015419	1	INSIDE WINDSHIELD LH
26	B20015574	2	GRILL WINDSHIELD TRIM
27	B20015575	1	OUTSIDE WINDSHIELD - RH
28	B20015576	1	OUTSIDE WINDSHIELD-LH
29	B2005278	1	ROTISSERIE ROLLER BRACKET (PHASE 2)
30	B2005347	1	INFRARED FRAME
31	PB040124	1	90 DEG. ORIFICE FITTING
32	PB040160	1	WOK IGNITER
33	PB040280	1	FLEXIBLE ROTISSERIE IGNITOR
34	PB060053	1	ROTIS SPIT ROD 41
35	032870-000	1	SHELF, BQ42, 304, SST
35	PB060056	1	WARMING RACK 41
36	PB060058	2	SPIT FORK
37	032868-000	1	SUPPORT, SHLF, 304, SST, RH
38	032867-000	1	SUPPORT, SHLF, 304, SST, LH
39	PB010210	1	FULL THERMOCOUPLE
40	PC020025	2	DRIP TRAY WHEEL
41	PC070024	1	ROTIS. GEAR BOX ASSY
42	PD020056	5	NO.10-24 X 1/2 PH.TR. M.S. SS
43	PD020082	2	10 X 24 COUNTERSUNK S.S. SCREW
44	PD030048	1	THERMOCOUPLE NUT M08-VGBQ-8743300007



Ref #	Part Number	Qty.	Description
1	020051-000	7	SCR, DR, PHLP,PNH, 410SS, NPLT, 10-16 X 1/2
2	026550-000	2	ENDCAP, SPRT COVER
3	026554-000	1	BRACKET, ROTIS MAIN BODY
4	032600-000	2	PLATE, COVER, ENDCAP
5	032650-000	1	BRACKET, PNL, BACK, SUPPORT
6	PB060055	1	ROTISSERIE MOUNT CASTING
7	PD010090	2	ROTI FASTENER KNOB
9	PD030064	2	CAPTURE NUT 1/4 NO.20
10	PD040044	1	SNAP THRU BUSHING 1/4DIA CORD
11	PE050046	1	ROTI SWITCH BOOT
12	PE050051	1	ROTI SWITCH
13	PE070184	1	ROTISSERIE MOTOR
17	PE070189	1	ELECTRICAL SUPPLY CORD - BBQ GRILL
NI	026553-000	1	MOTOR, ROTIS, ASM



Ref #	Part Number	Qty.	Description
2	005941-000	1	CANOPY SPRING END MOUNT-LH
3	005942-000	2	SPRING INDEX
4	007206-000	2	CANOPY, SPRING, ASSIST- LIGHT
5	007215-000	1	CANOPY SPRING END MOUNT-RH
6	020659-000	1	GAUGE, BMTL, TEMPERATURE
7	026724-000	1	SPACER, WSHR
8	026965-000	2	END CAP, ASM, DOOR HANDLE
9	032436-000	1	HANDLE, HOOD, 542
10	032469-000	1	PLATE, CANOPY END MOUNT, RH
11	032470-000	1	PLATE, CANOPY END MOUNT, LH
12	032519-000	1	HOOD, WELD ASM, BQ542
13	032839-000	1	HOOD PANEL, RH
14	032842-000	1	HOOD PANEL, LH
15	032950-000	1	HOOD, INNER, LOWER, BQ542
16	032954-000	1	HOOD, INNER, UPPER BQ542
17	PB010304	1	KNOB BEZEL
18	034607-000	2	FASTENER, BOLT, 5/16 - 1-1/2
19	PD020056	2	NO.10-24 X 1/2 PH.TR. M.S. SS
20	PD020069	4	CAP SCREW 1/4-20 X 3/4 SS
NI	036547-000	2	GROMMET, RECTANGLE RUBBER (USED ON CANOPY)



Ref #	Part Number	Qty.	Description
1	032357-000	1	HANDLE, DRIP TRAY, 542
2	G3005214	1	DRIP TRAY SLIDE - LH
3	G3005215	1	DRIP TRAY SLIDE - RH
4	B2005213	2	DRIP TRAY GUIDE BRACKET (PHASE 2)
5	B2005310	1	DRIP TRAY 41 (VGBQ4103RT)
6	B2005316	1	DRIP TRAY RUNNER RH
7	B2005317	1	DRIP TRAY RUNNER LH (PHASE 2)
8	J2101749	1	GREASE PAN
9	PC020025	4	DRIP TRAY WHEEL
10	PD020055	2	NO.10 X 1/2 PAN PHIL. TEK. SS
11	PD020056	11	NO.10-24 X 1/2 PH.TR. M.S. SS
12	PD020082	4	10 X 24 COUNTERSUNK S.S. SCREW
13	PD030044	5	10-24 KEPS NUT SS
14	PD040004	2	GROMMET BUMPER

*No Image
Available*

Ref #	Part Number	Qty.	Description
NI	026342-000	1	HARN, MAIN, 4103RE2
NI	033724-000	1	HARN, LED, GRILL 542
NI	G4006379	1	WIRE ASSY (VGBQ-T SERIES) 25
NI	G40016230	1	IGNITOR WIRE 40
NI	G40016227	1	IGNITOR WIRE 18
NI	025323-000	1	HARNESS, WIRE, ROTISSERIE
NI	G4000936	2	GROUND WIRE
NI	PE070036	7	TIE WRAP