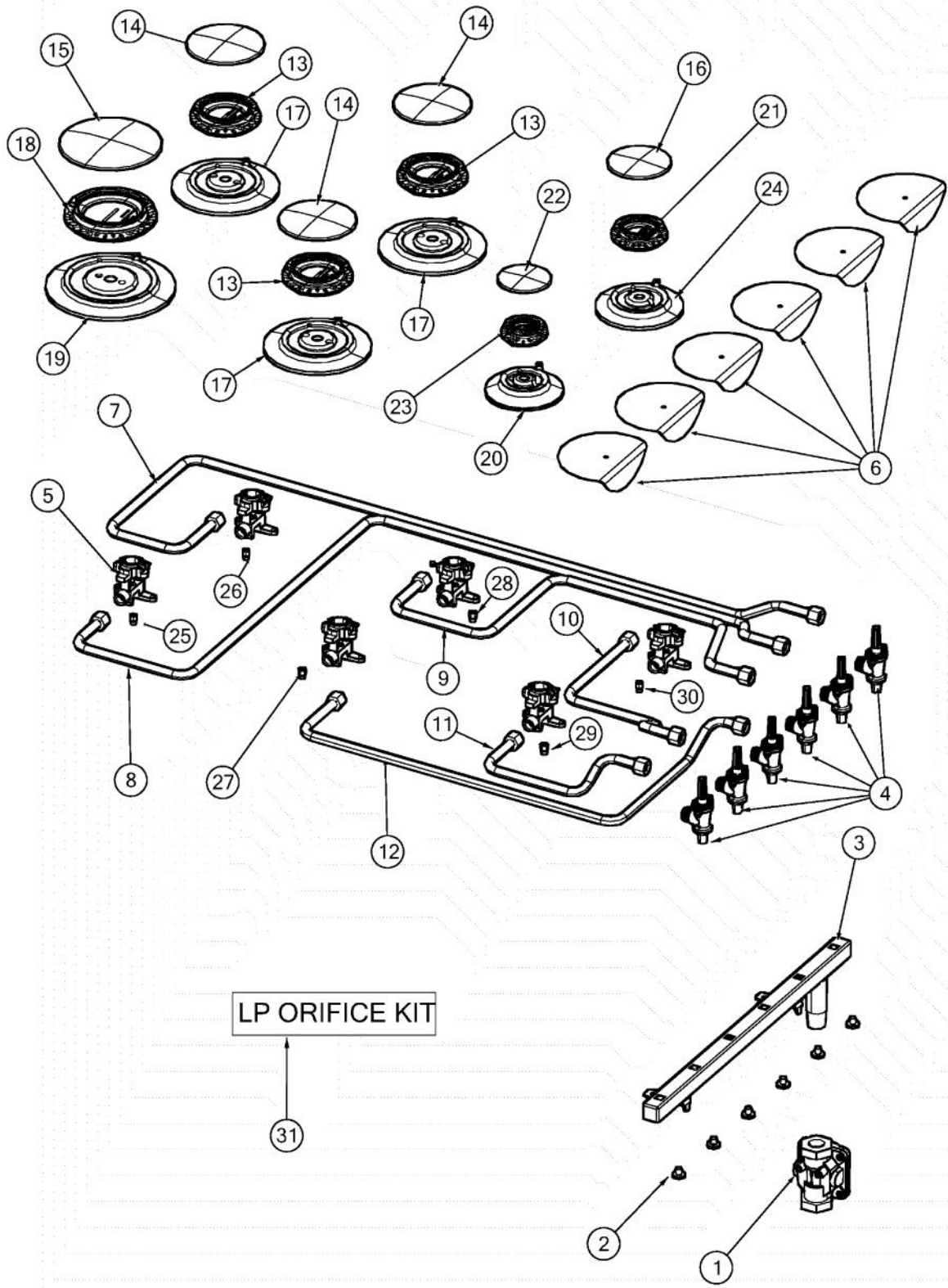
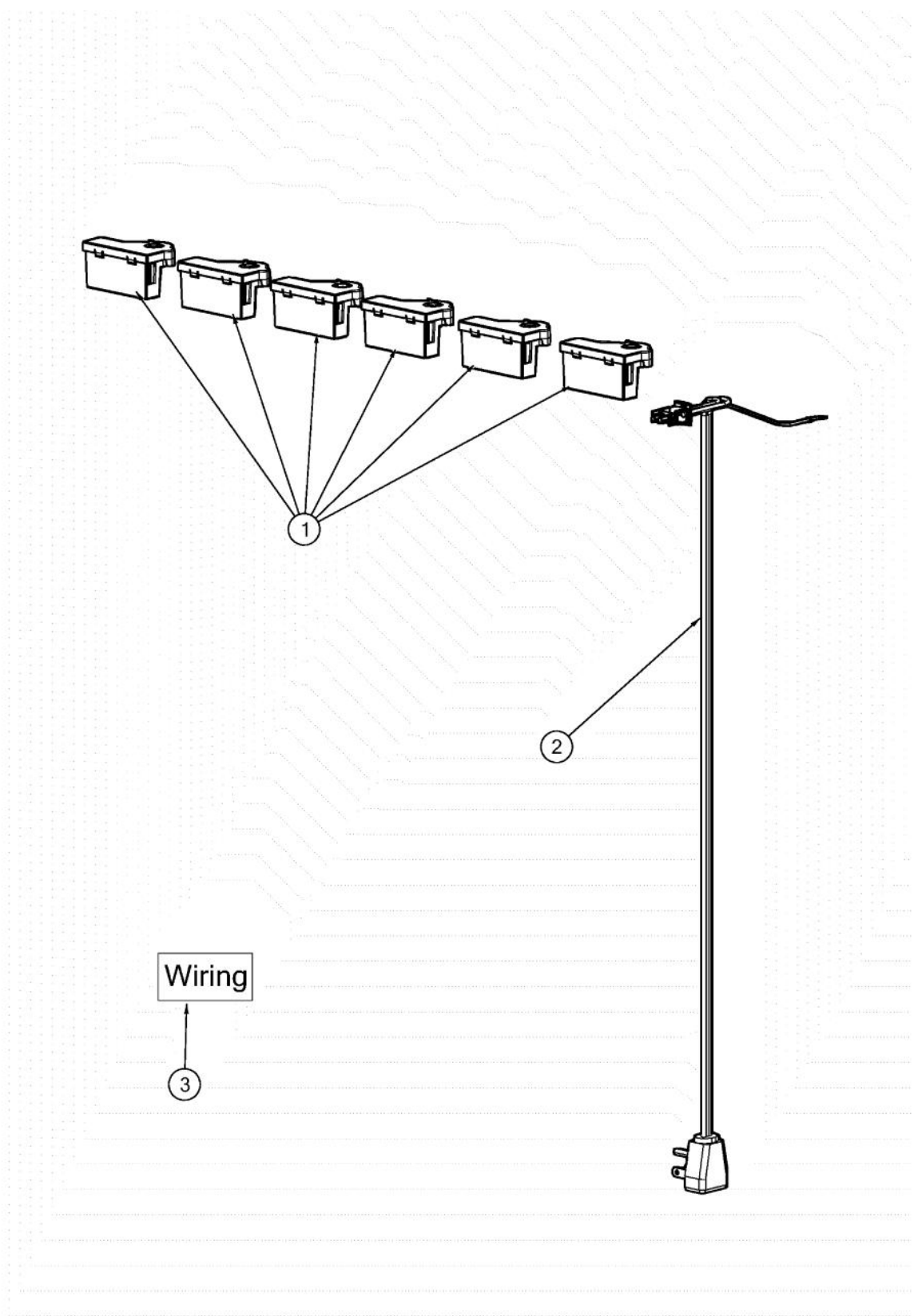


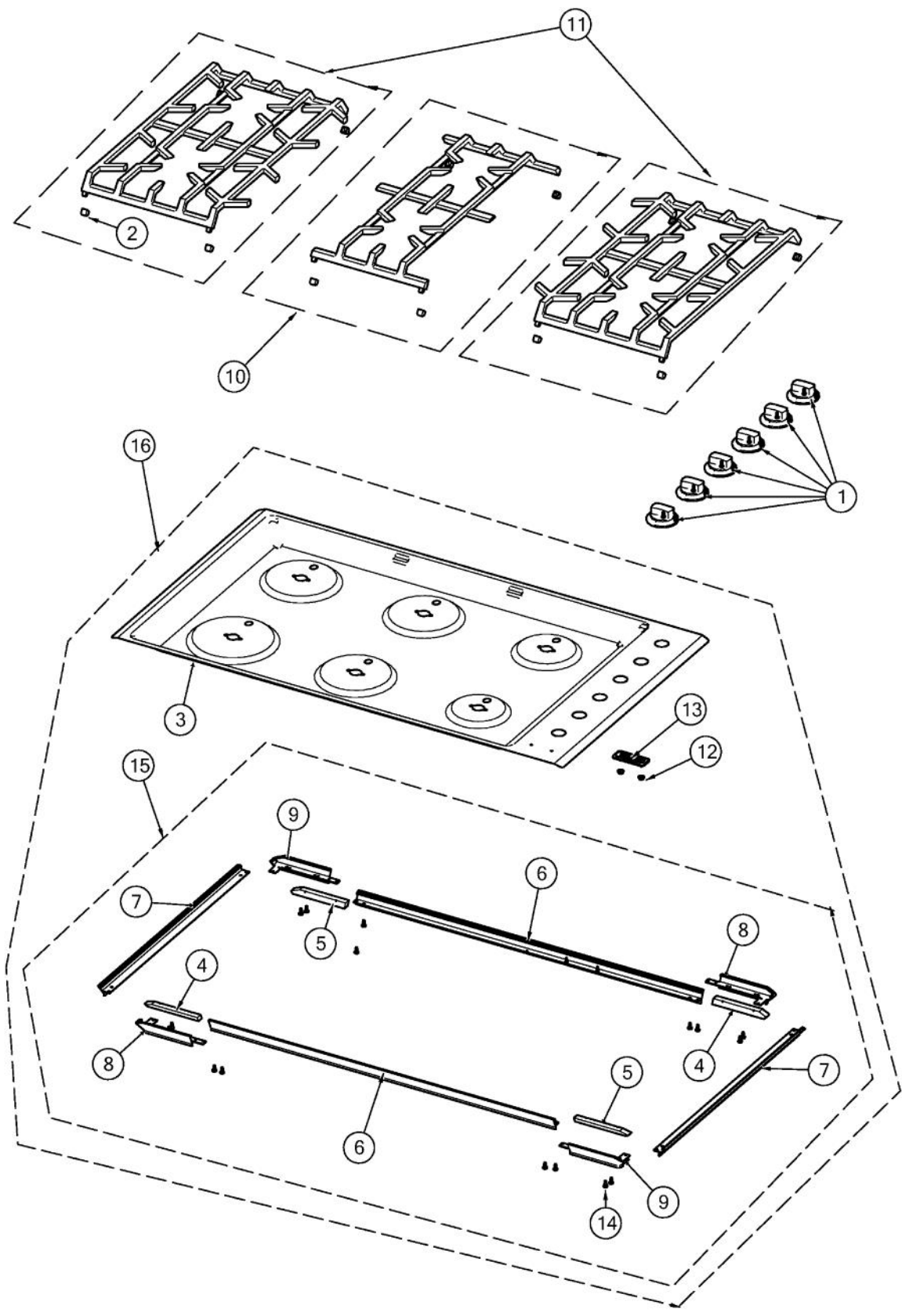
Ref #	Part Number	Qty.	Description
1	039675-000	2	BRKT, MTG, BURNER
2	041833-000	1	SUPPORT, BURNER/MANIFOLD (BEFORE 11/18/13)
2	047054-000	1	SUPPORT, BURNER/MANIFOLD (ON OR AFTER 11/18/13)
3	PE070069	1	STRAIGHT-THRU BUSHING
4	039677-000	1	STRAIN RELIEF BRACKET
5	039568-000	1	BOX, BURNER, GAS, 36?
6	038618-000	2	BRACKET, HOLD
7	PD010027	2	EYE BOLT-VGSU101/161
8	PD020004	2	10X3/8PH.HD.TYPE 25 REPL PD040125
9	PD030029	2	SELF RETAINING NUT (1/4-20)



Ref #	Part Number	Qty.	Description
1	PA070004	1	PRESSURE REG.(NAT.) RV47L-77-5.0
1	PA070005	1	PRESSURE REG.(LP) RV47L-77-10.0
2	PD010012	6	VALVE BOLT 1/4-20 UNC-2B 5/16 M.S.
3	039541-000	1	MANIFOLD, GAS, 36 COOKTOP?
4	039678-000	6	VALVE, COOKTOP
5	PB050067	6	JETHOLDER
6	019955-000	6	SHIELD, WTR
7	040461-000	1	TUBING ASM, LEFT REAR?
8	040459-000	1	TUBING ASM, LEFT FRONT?
9	040433-000	1	TUBING ASM, REAR CENTER?
10	040425-000	1	TUBING ASM, RIGHT REAR?
11	040415-000	1	TUBING ASM, RIGHT FRONT?
12	040428-000	1	TUBING ASM, FRONT CENTER?
13	PA080101	3	DGRT-C COMPLETE BURNER HEAD ASSEMBLY
14	PA080107	3	DGRT-C BURNER CAP- BLACK
15	PA080083	1	D BURNER CAP XMATTE BLACKX
16	PA080105	1	DGRT-B BURNER CAP- BLACK
17	PB050070	3	C-BASE
18	PA080102	1	DGRT-D COMPLETE BURNER HEAD ASSEMBLY
19	PB050069	1	D-BASE
20	PB050072	1	A-BASE
21	PA080100	1	DGRT-B COMPLETE BURNER HEAD ASSEMBLY
22	PA080103	1	DGRT-A BURNER CAP- BLACK
23	PA080099	1	DGRT-ACOMPLETE BURNER HEAD ASSEMBLY
24	PB050071	1	B-BASE
25	044706-000	1	ORIFICE, STD .079 DIA
26	044708-000	1	ORIFICE, STD .056 DIA?
27	PB040255	1	NO.52 NAT
28	PB040255	1	NO.52 NAT
29	PB040274	1	NO.58 LP
30	044709-000	1	ORIFICE, STD .048 DIA?
NI	PD020159	12	DGSU BURNER BASE SCREW



Ref #	Part Number	Qty.	Description
1	035795-000	6	MODULE, IGN, GAS,SNGL
2	040603-000	1	CORD, ASM, POWER
3	000647-000	6	IRIS IGNITOR WIRE, FRONT BURNER
3	006766-000	3	IRIS IGNITOR WIRE, BACK BURNER
3	019654-000	2	XL IGNITOR HARNESS
3	044860-000	1	HARNESS, IRIS, VGC5305B/5366B



Ref #	Part Number	Qty.	Description
1	036416-000	6	KNOB,ASSY VGSU CR3
2	039134-000	12	NOT IN THE BOM
3	039189-000	1	36 GAS COOKTOP?
4	042118-000	2	FILLER, TRIM, RR, LF
5	042119-000	2	FILLER, TRIM, RF, LR
6	042121-000	2	EXTR, FRONT, GAS, 36?
7	042122-000	2	EXTRUSION, END
8	042123-000	2	TRIM, CORNER CAP, RR, LF
9	042124-000	2	TRIM, CORNER CAP, RF, LR
10	042643-000	1	GRATE, CTR, ASM?
11	042775-000	2	GRATE, ASM, 36?
12	PD030006	2	CAPPED WASHER PAL NUT
13	040029-000	1	LOGO, COOKTOP
14	PD020062	24	NO.8-32 X 3/8 PHMS TYPE 1
15	042125-000	1	FRAME, ASM, 36, GAS?
16	039562-000	1	ASM, GAS, COOKTOP, 36