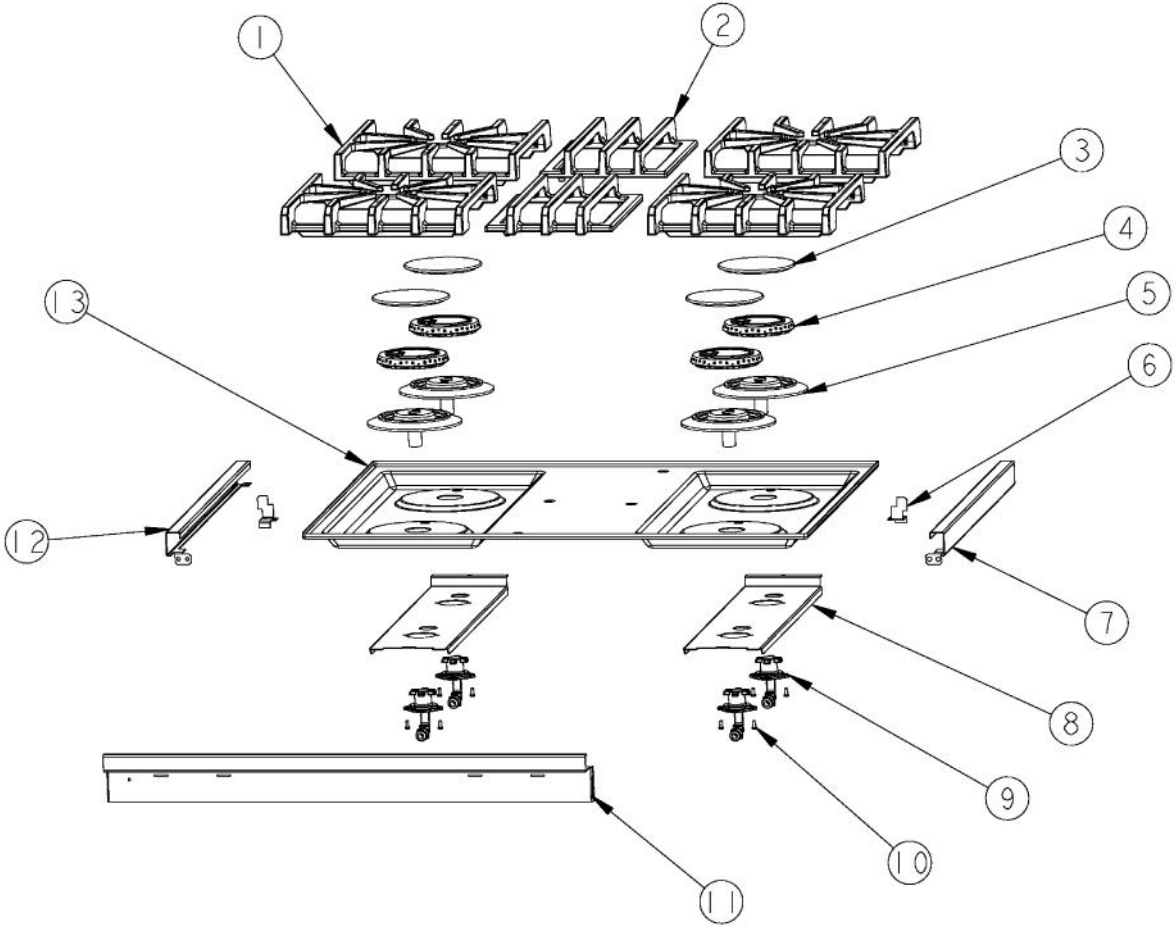
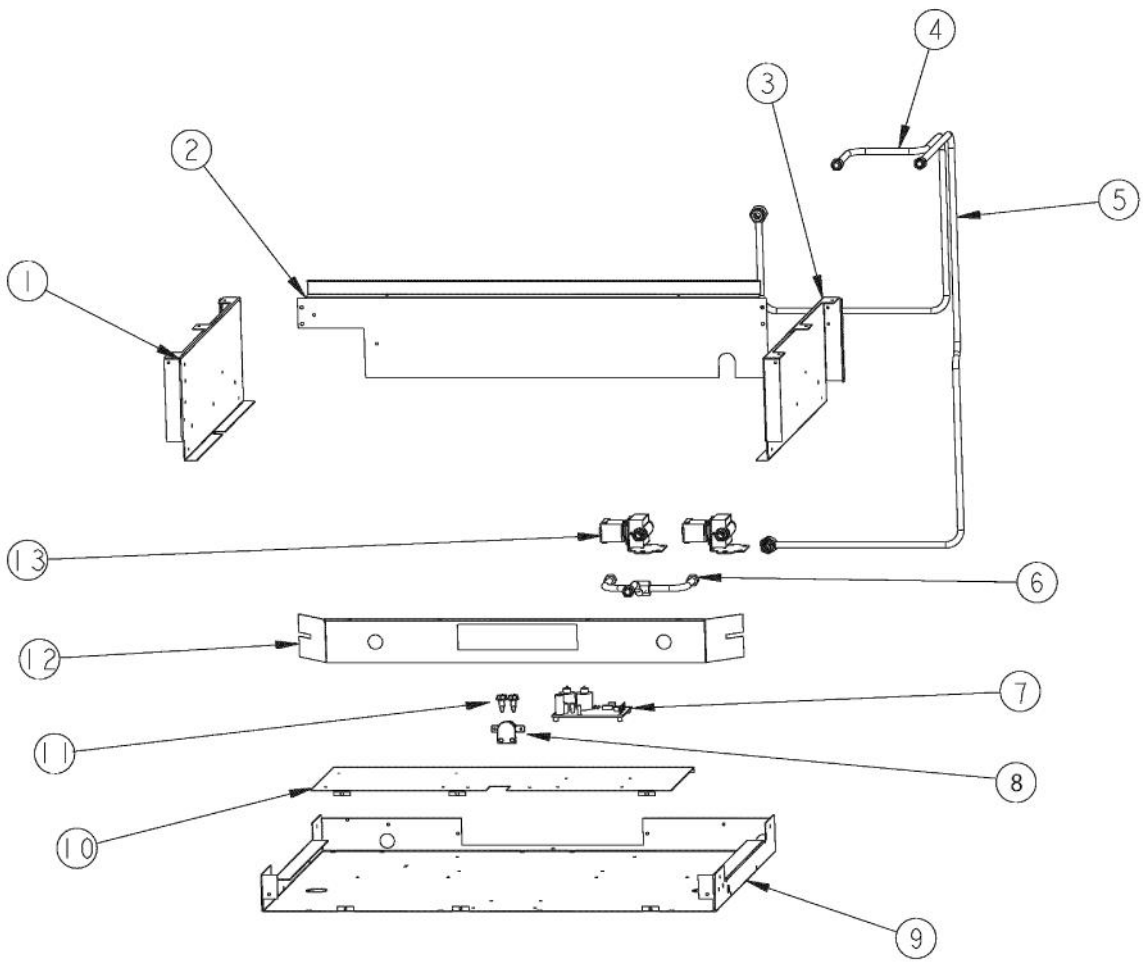


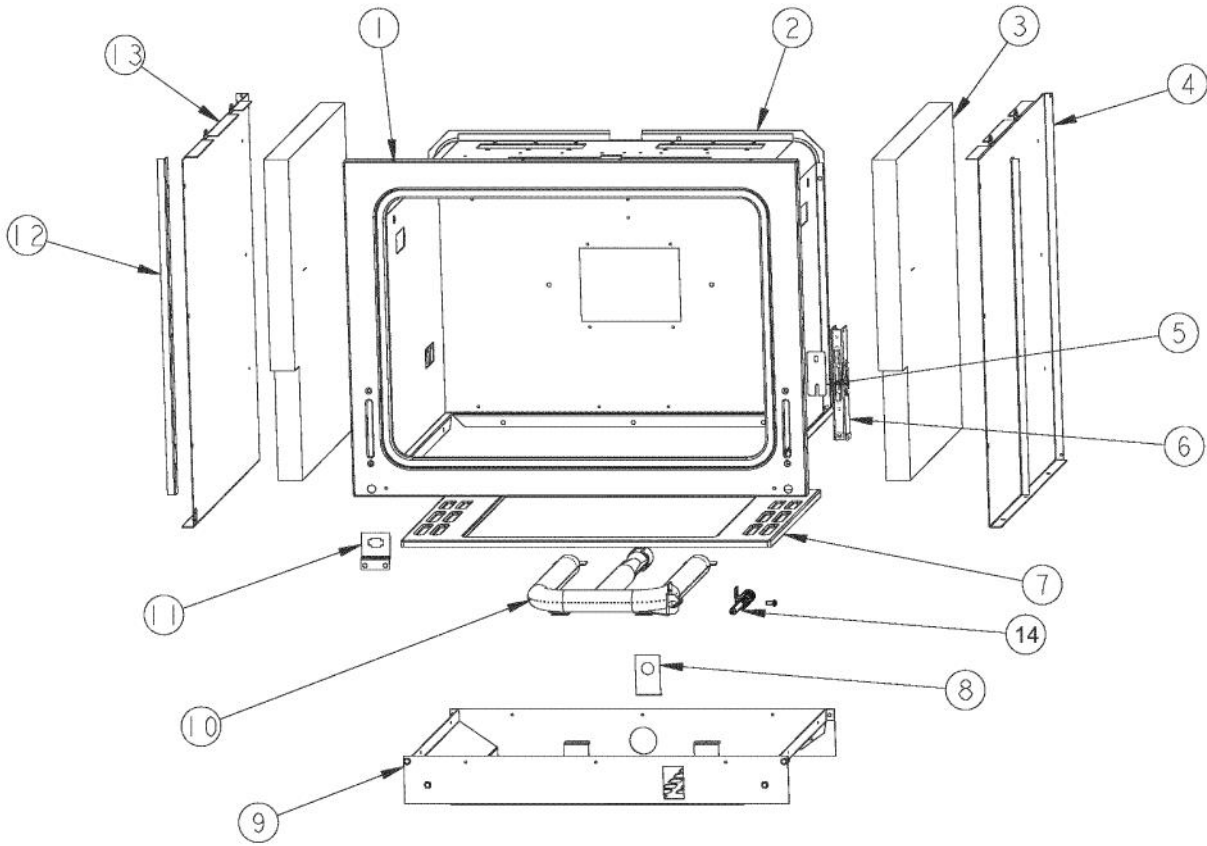
Ref #	Part Number	Qty.	Description
1	PA010158	4	SUB TO 003517-000 - SEALED BURNER FLARE VALVE
2	PA070001	1	PRESSURE REGULATOR (NAT.)
3	PE050023	1	OVEN IND. LIGHT (LENS & BEZEL)
4	PE050024	1	OVEN IND. LIGHT (LIGHT HOUSING)
5	038413-000	1	TSTAT, SMPS, ELEC, 2-POS, .91 SHAFT, CB
6	PB030007	1	SHUT OFF VALVE
7	002926-000	1	GAS MANIFOLD, REDESIGN
8	PD010012	4	VALVE BOLT 1/4-20 UNC-2B 5/16 M.S.
9	006237-000	1	LEDGE, LDG, ASM, 30, GCC
10	PD020067	6	NO.6 X 3/8 PAN PHIL. TEK SS
10	007361-002	1	PANEL, ACS, 30, KICKPLATE, BK
10	007361-022	1	PANEL, ACS, 30 KICKPLATE, SE
10	007361-051	1	PANEL, ACS, 30, KICKPLATE, CN?
11	006355-000	1	SPLASHPROOF ROCKER SWITCH
12	006531-000	1	THERMOSTAT KNOB (BK)
12	007371-000	1	THERMOSTAT KNOB (WH)
12	035891-000	1	KNOB, OVN, TSTAT, PRO VGCC CR3
13	003719-000	1	OVEN LIGHT SWITCH, BLACK
14	PB010284	4	SURFACE BURNER KNOB
14	PB010285	4	SURFACE BURNER KNOB - WH
14	035881-000	4	KNOB, BNR, TOP PRO CR3
15	PB010282	5	KNOB BEZEL - CH
16	002945-000	1	FALSE DRIP TRAY HANDLE ASSY, 30 - SS
17	PA020058	4	IRIS SINGLE SPARK MODULE



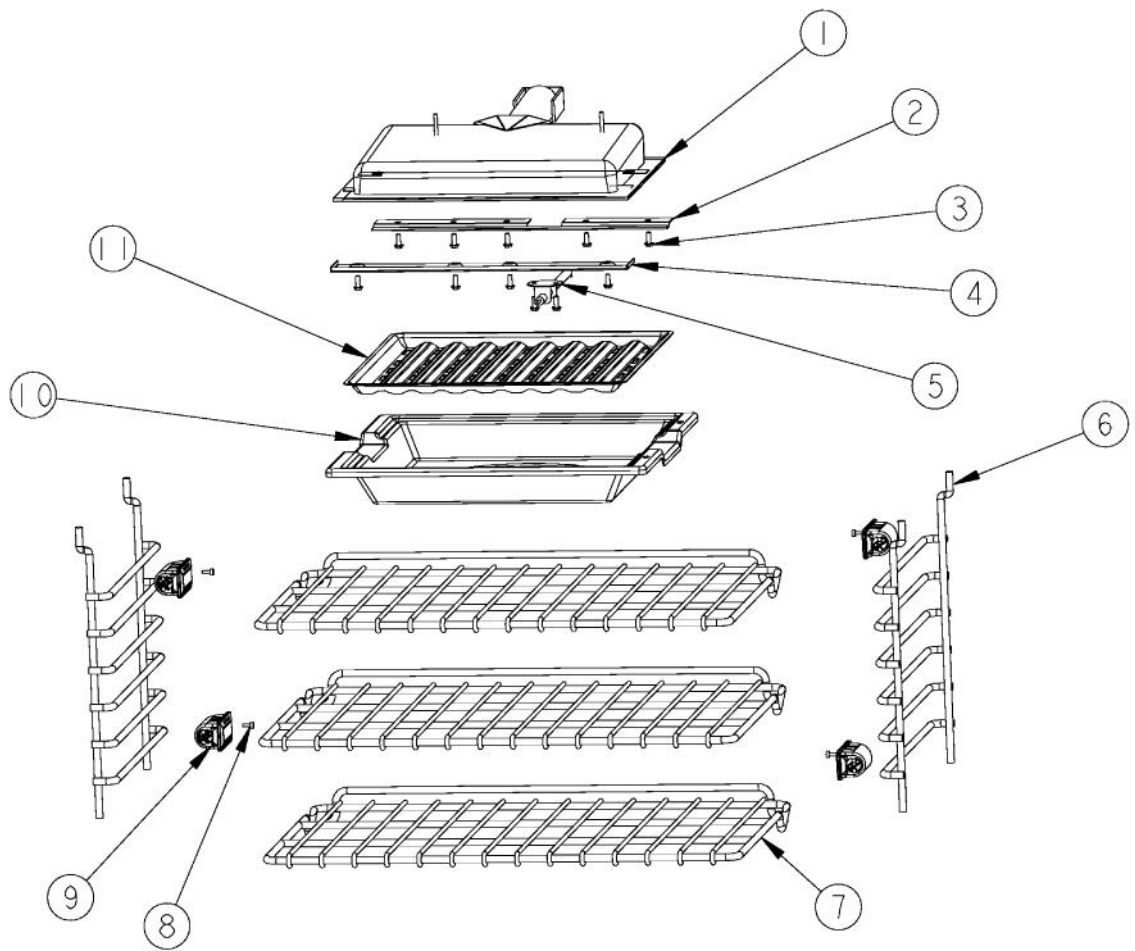
Ref #	Part Number	Qty.	Description
1	002817-000	4	SPIDER GRATE, VDSC REDESIGN
2	002907-000	2	CENTER GRATE, REDESIGN
3	PA080083	4	D BURNER CAP XMATTE BLACKX
4	004056-000	4	D-BURNER HEAD
5	003322-040	4	SEALED BURNER BASE, TURNED FINISH
5	003322-041	4	SEALED BURNER BASE, PAINTED FINISH
6	004021-000	2	SUPPORT,TRIM,SIDE
7	002920-000	1	SIDE TRIM, RH - STAINLESS
8	002923-000	2	BURNER MODULE SUPPORT
9	001394-040	4	16000 BTU NAT JETHOLDER
9	001394-041	4	18500 BTU NAT JETHOLDER
9	001394-041	4	18500 BTU NAT JETHOLDER
9	001394-043	4	13500 BTU LP JETHOLDER
9	001394-046	4	12.5 K BTU LP JETHOLDER
10	PD020076	8	6-32 X 3/8 PHILL PAN MS
11	002925-000	1	FRONT SUPPORT, BURNER BOX
12	003649-000	1	SIDE TRIM, LH - STAINLESS
13	E9107413BK	1	MAIN TOP 30 XBKX
13	E9107413WH	1	MAIN TOP 30 XWHX
NI	037304-000	8	FASTENER, PNH, TORX, AB, PSVD, WAX



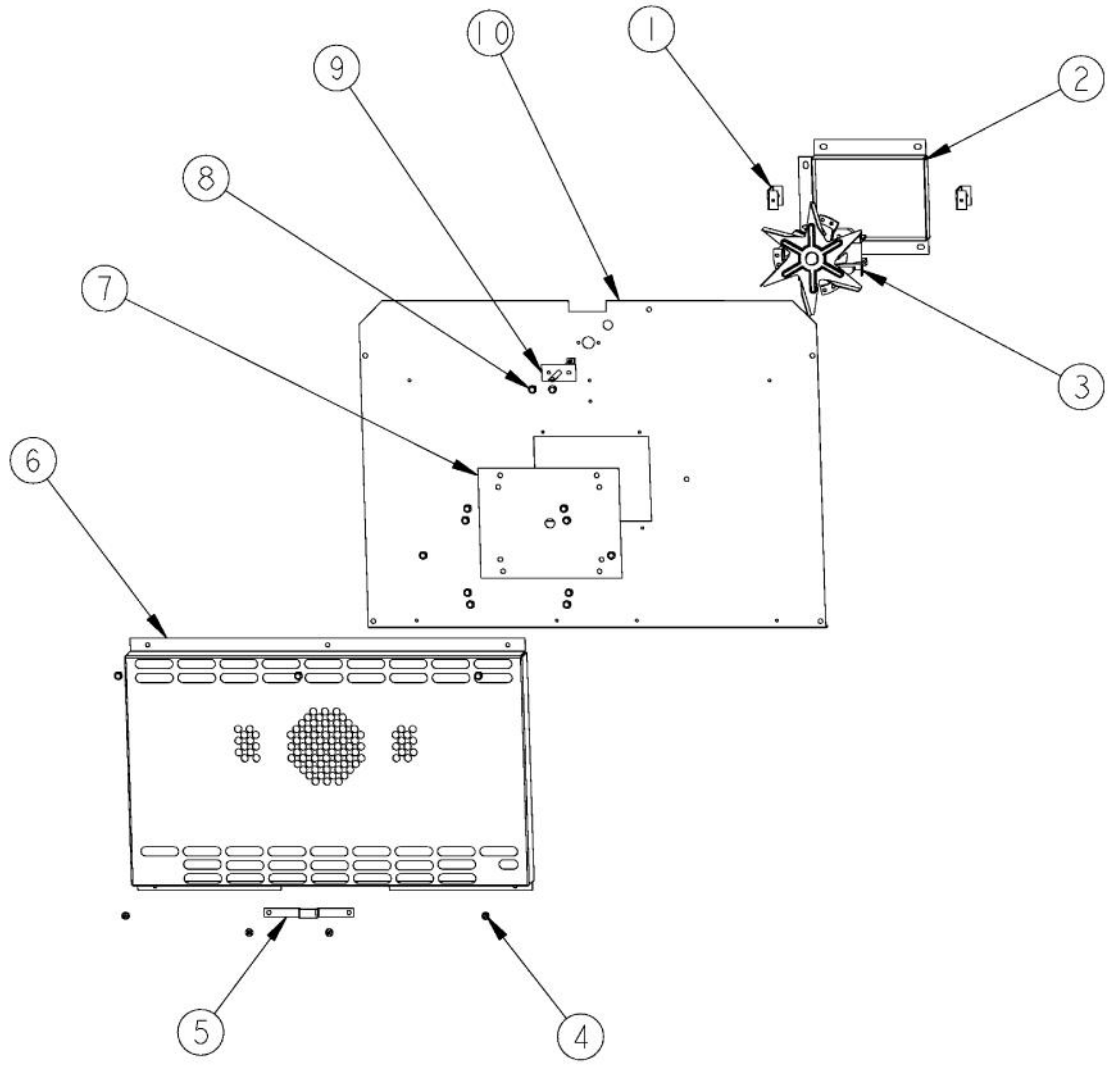
Ref #	Part Number	Qty.	Description
1	003481-000	1	BURNER BOX SIDE, LH
2	006035-000	1	SUPPORT, BACK
3	002755-000	1	BURNER BOX SIDE, RH
4	005372-000	1	BROIL TUBING (BEFORE 10/24/11)
	015199-000		TUBING, BURNER, ASM (ON OR AFTER 10/24/2011)
5	006338-000	1	BAKE TUBING (BEFORE 10/24/11)
	015200-000		TUBING, BAKE ASM, NAT (ON OR AFTER 10/24/2011)
6	006339-000	1	MANIFOLD TUBING (BEFORE 10/24/11)
	015196-000		TUBE, MANF, ASM (ON OR AFTER 10/24/2011)
7	PA020056	1	TYTRONICS DSI MODULE (BEFORE 12/20/10)
7	023651-000	1	DSI120 LONG PURGE (ON OR AFTER 12/20/10)
8	PJ030039	1	BI-METAL THERMOSTAT 275 DEGREES
9	NOT REPLACEABLE	N/A	OVEN CAVITY (NOT REPLACEABLE PART)
10	005315-000	1	TRAY, ELEX, 30, GSC
11	003860-000	2	NO.10-18 X .500 FASTNR,SCR,HXWH,STL,ZPLT
12	006114-000	1	DIVIDER, AIR
13	PA010139	2	F J T VALVE REPL PA010079 (BEFORE 11/02/2011)
	009112-000		VALVE, SOL, DOUBLE (ON OR AFTER 11/02/2011)



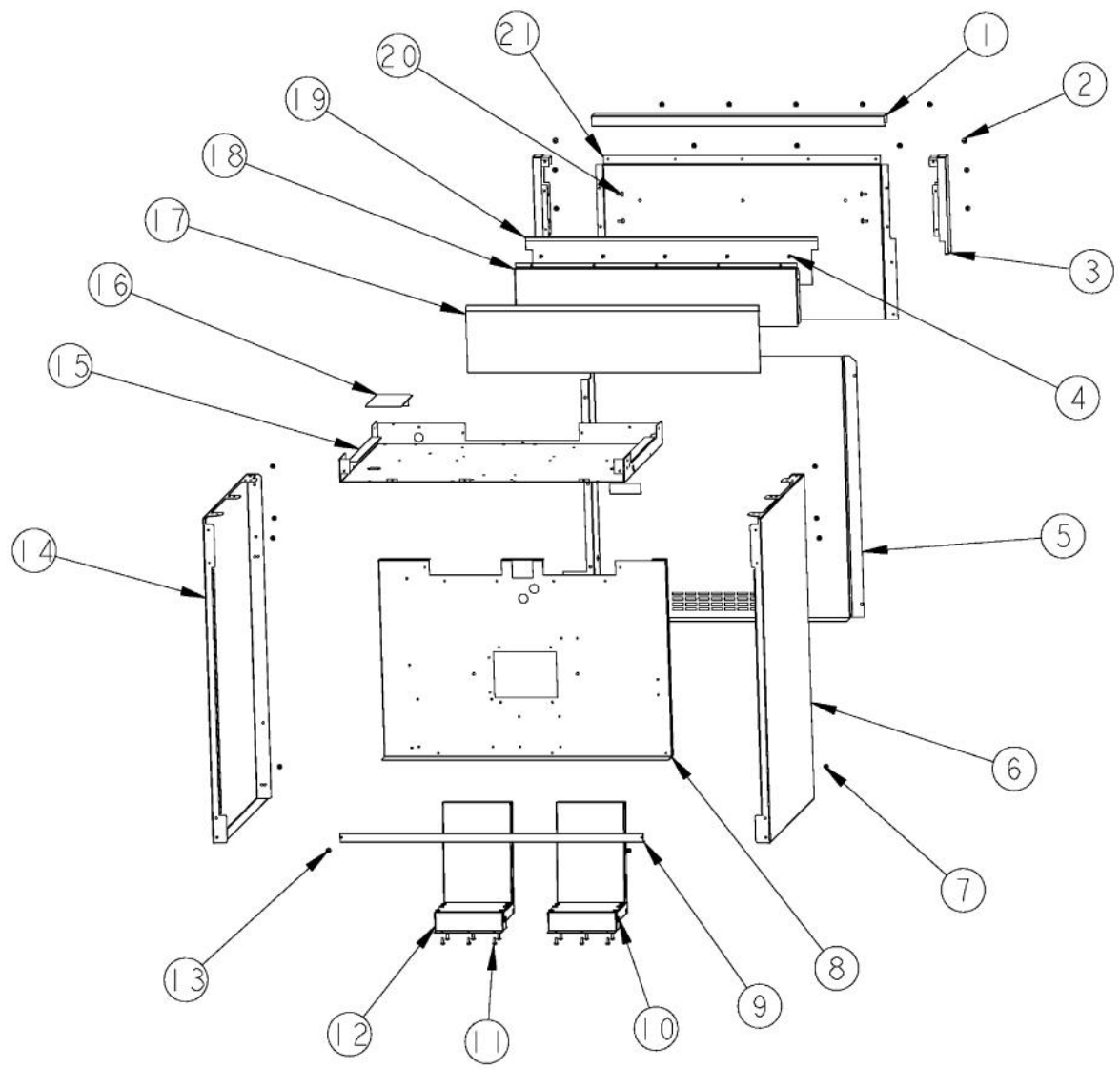
Ref #	Part Number	Qty.	Description
1	NOT REPLACEABLE	N/A	OVEN CAVITY (NOT REPLACEABLE PART)
2	NOT REPLACEABLE	N/A	OVEN CAVITY (NOT REPLACEABLE PART)
3	PB070302	2	SIDE INSULATION
4	004479-000	1	INSULATION, PNL, SIDE, RH
5	B1007913	2	HINGE CLIP (DESIGNER TIME PIECE)
6	031679-000	1	RECEPTACLE, HINGE
7	G9104438	1	OVEN BOTTOM PAN ASSY (VGSC306)
NI	A2004439	1	OVEN BOTTOM SHIELD (VGSC306)
8	005529-000	1	BAKE ORIFICE MTG BRKT (BEFORE 2/11/13)
8	040736-000	1	BRKT, ORF (ON OR AFTER 2/11/13)
9	NOT REPLACEABLE	N/A	OVEN CAVITY (NOT REPLACEABLE PART)
10	005329-000	1	BURNER, OVEN, ASM
11	005280-000	1	DISCONNECT BRKT
12	005536-000	2	TRIM
13	004482-000	1	INSULATION, PNL, SIDE, LH
14	PB040170	1	BAKE IGNITION ELECTRODE



Ref #	Part Number	Qty.	Description
1	G3001876	1	IR BURNER ASSY (VGSC/RC) N/S
2	B2005589	1	REAR BROILER BRACKET
3	PD020048	11	NO.10 X 1/2 TEK 410 SS SCREW
4	B2002261	1	FRONT I/R BROILER SUPPORT BRACKET
5	PB040171	1	BROIL IGNITION ELECTRODE
6	PB060030	2	RACK SUPT REPL PB060010
7	PB060044	3	OVEN RK VDSC30/48RH REPL PB060019
8	PD020067	4	NO.6 X 3/8 PAN PHIL. TEK SS
9	PE050238	4	120 VOLT SIDE HALOGEN LIGHT
10	E9107933	1	BROILER PAN
11	E9107934	1	BROILER PAN INSERT

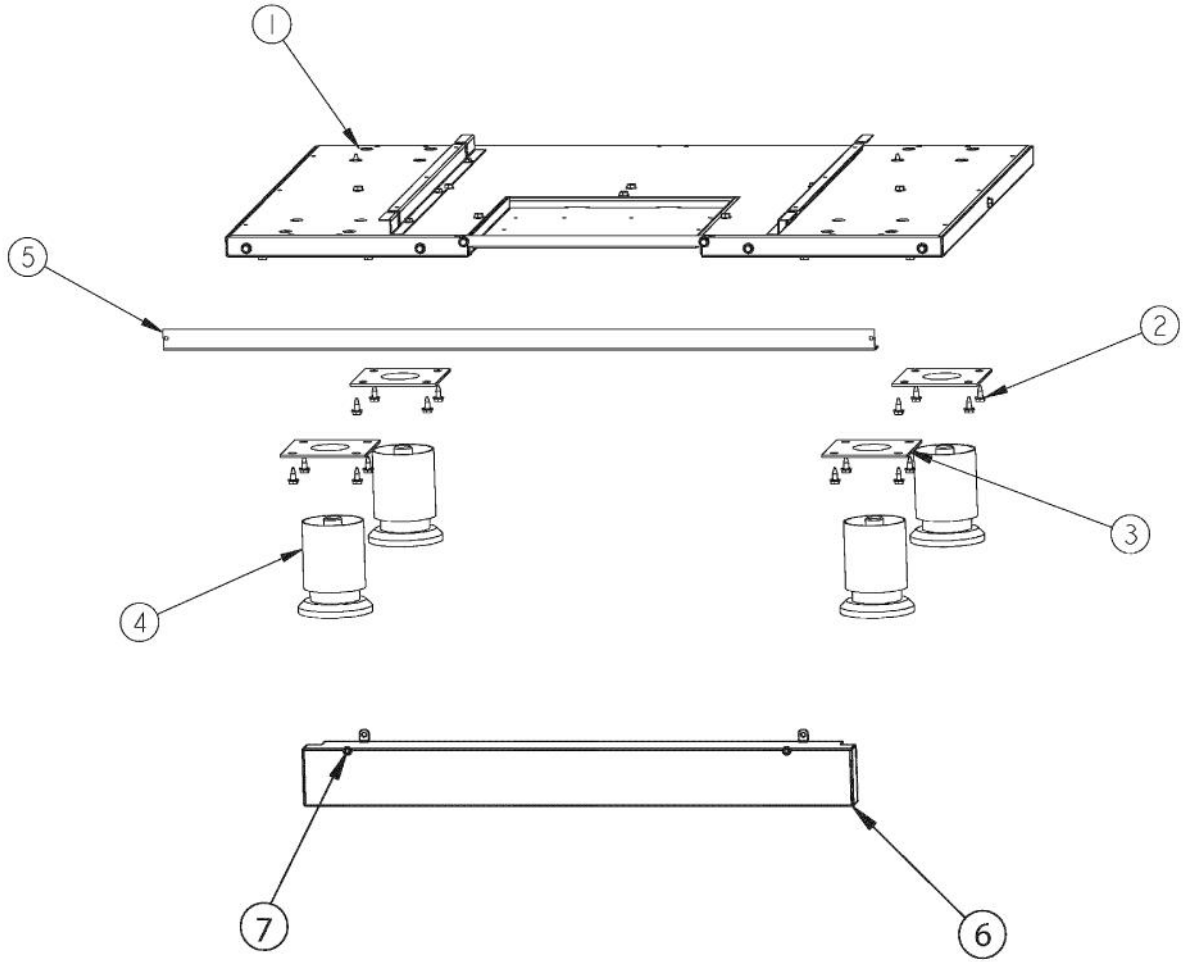


Ref #	Part Number	Qty.	Description
1	A2001361	2	BACK SPACER (VGSC/VGSS)
2	A2008467	1	INSULATION SHIELD NO LONGER USED ON THIS MODEL
3	PE050057	1	CONVECTION FAN (VGSC306) (BEFORE 8/31/13)
NI	023090-000	1	MOTOR, CONV ASM? (ON OR AFTER 8/31/13)
4	M0210443	7	SCREW-E SM
5	A2004428	1	REAR BOTTOM BRCKT (VGSC306)
6	G9104482	1	CONVECTION FAN COVER ASSY (VGSC306)
7	A1002596	1	CONVECTION FAN COVER (VDSC)
8	PD020048	15	NO.10 X 1/2 TEK 410 SS SCREW
9	PE050206	1	RTD THERMOSTAT PROBE
10	NOT REPLACEABLE	N/A	OVEN CAVITY (NOT REPLACEABLE PART)

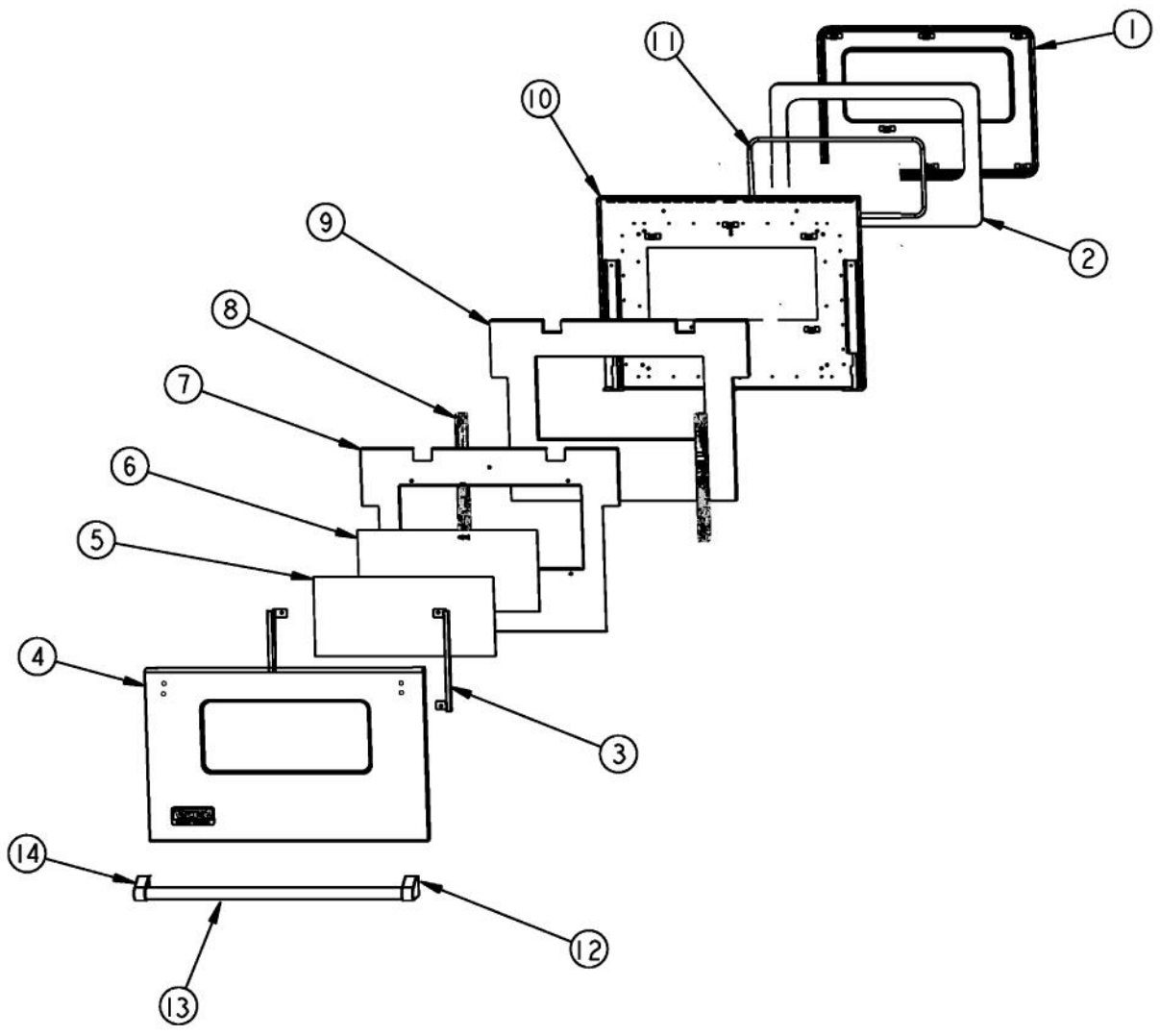


Ref #	Part Number	Qty.	Description
1	003810-000	1	BACKGUARD TOP, SS
2	PD020056	2	NO.10-24 X 1/2 PH.TR. M.S. SS
3	002703-000	2	BACKGUARD ENDCAP
4	PD020067	5	NO.6 X 3/8 PAN PHIL. TEK SS
5	032157-000	1	PANEL, OUTER, 30
6	002905-000	1	SIDE PANEL, RH, SST
6	005503-002	1	SIDE PANEL, RH ASSY, PAINTED XBKX
6	005503-003	1	SIDE PANEL, RH ASSY, PAINTED XBTX
6	005503-004	1	SIDE PANEL, RH ASSY, PAINTED XSGX
6	005503-005	1	SIDE PANEL, RH ASSY, PAINTED XGGX
6	005503-006	1	SIDE PANEL, RH ASSY, PAINTED XWHX
6	005503-007	1	SIDE PANEL, RH, AL
6	005503-008	1	SIDE PANEL, RH ASSY, PAINTED XBUX
6	005503-009	1	SIDE PANEL, RH ASSY, PAINTED XLEX
6	005503-010	1	SIDE PANEL, RH ASSY, PAINTED XMJX
6	005503-011	1	SIDE PANEL, RH, FG
6	005503-012	1	SIDE PANEL, RH ASSY, PAINTED XVBX
6	005503-013	1	SIDE PANEL, RH ASSY, PAINTED XCBX
6	005503-014	1	SIDE PANEL, RH, EP
6	005503-015	1	SIDE PANEL, RH ASSY, PAINTED XPLX
6	005503-016	1	SIDE PANEL, RH ASSY, PAINTED XCHX
6	005503-017	1	SIDE PANEL, RH ASSY, PAINTED XTPX
6	005503-018	1	SIDE PANEL, RH ASSY, PAINTED XCWX
6	005503-019	1	SIDE PANEL, RH ASSY, PAINTED XOGX
6	005503-020	1	SIDE PANEL, RH ASSY, PAINTED XGMX
6	005503-021	1	SIDE PANEL, RH ASSY, PAINTED XSAX
6	005503-022	1	SIDE PANEL, RH ASSY, PAINTED XSEX
6	005503-023	1	SIDE PANEL, RH ASSY, PAINTED XIBX
6	005503-024	1	SIDE PANEL, RH ASSY, PAINTED XARX
6	005503-025	1	SIDE PANEL, RH ASSY, PAINTED XRRX
6	005503-026	1	SIDE PANEL, RH ASSY, PAINTED XPMX
6	005503-027	1	SIDE PANEL, RH ASSY, PAINTED XMSX
7	003860-000	11	NO.10-18 X .500 FASTNR,SCR,HXWH,STL,ZPLT
8	020404-000	1	INSULATION, BACK, PANEL, 30
9	006199-000	1	SPACER, BOT, 30, GSC
10	PD020046	8	NO.8 X 1/2 SCREWS
11	PD020048	18	NO.10 X 1/2 TEK 410 SS SCREW
12	006192-000	2	VENT, ASM, OVEN ASSEMBLY
13	003801-000	2	SHOULDER SCREW, NO.10
14	003588-000	1	SIDE PANEL, LH
14	005506-002	1	SIDE PANEL, LH ASSY, PAINTED XBKX
14	005506-003	1	SIDE PANEL, LH ASSY, PAINTED XBTX
14	005506-004	1	SIDE PANEL, LH ASSY, PAINTED XSGX
14	005506-005	1	SIDE PANEL, LH ASSY, PAINTED XGGX
14	005506-006	1	SIDE PANEL, LH ASSY, PAINTED XWHX
14	005506-007	1	SIDE PANEL, LH, AL
14	005506-008	1	SIDE PANEL, LH ASSY, PAINTED XBUX
14	005506-009	1	SIDE PANEL, LH ASSY, PAINTED XLEX
14	005506-010	1	SIDE PANEL, LH ASSY, PAINTED XMJX
14	005506-011	1	SIDE PANEL, LH, FG
14	005506-012	1	SIDE PANEL, LH ASSY, PAINTED XVBX
14	005506-013	1	SIDE PANEL, LH ASSY, PAINTED XCBX
14	005506-014	1	SIDE PANEL, LH, EP
14	005506-015	1	SIDE PANEL, LH ASSY, PAINTED XPLX
14	005506-016	1	SIDE PANEL, LH ASSY, PAINTED XCHX
14	005506-017	1	SIDE PANEL, LH ASSY, PAINTED XTPX
14	005506-018	1	SIDE PANEL, LH ASSY, PAINTED XCWX
14	005506-019	1	SIDE PANEL, LH ASSY, PAINTED XOGX
14	005506-020	1	SIDE PANEL, LH ASSY, PAINTED XGMX
14	005506-021	1	SIDE PANEL, LH ASSY, PAINTED XSAX

Ref #	Part Number	Qty.	Description
14	005506-021	1	SIDE PANEL, LH ASSY, PAINTED XSAX
14	005506-022	1	SIDE PANEL, LH ASSY, PAINTED XSEX
14	005506-023	1	SIDE PANEL, LH ASSY, PAINTED XIBX
14	005506-024	1	SIDE PANEL, LH ASSY, PAINTED XARX
14	005506-025	1	SIDE PANEL, LH ASSY, PAINTED XRRX
14	005506-026	1	SIDE PANEL, LH ASSY, PAINTED XPMX
14	005506-027	1	SIDE PANEL, LH ASSY, PAINTED XMSX
15	NOT REPLACEBLE	N/A	CABINET TOP
16	004016-000	1	PLATE,SVCE,RGLT
17	006635-000	1	PANEL, FR, BACKGUARD, 30
18	006634-000	1	SUPPORT, BACKGUARD, 30
19	006638-000	1	SHEILD, HEAT, BACKGUARD
20	PD010003	8	10-24 X 1/2 PH.TR.HD.SERD.M.S.
21	006637-000	1	BACKGUARD, BACK



Ref #	Part Number	Qty.	Description
1	NOT REPLACEABLE	N/A	OVEN CAVITY (NOT REPLACEABLE PART)
2	003860-000	16	NO.10-18 X .500 FASTNR,SCR,HXWH,STL,ZPLT
3	PC030007	4	LEG PLATE - 3/4 THREADED HOLE
4	PC030031	4	ADJUSTABLE LEG
5	006199-000	1	SPACER, BOT, 30, GSC
6	006198-000	1	PANEL, ACS, 30, GSC
6	007361-002	1	PANEL, ACS, 30, KICKPLATE, BK
6	007361-003	1	PANEL, ACS, 30, KICKPLATE, BT
6	007361-004	1	PANEL, ACS, 30, KICKPLATE, SG
6	007361-005	1	PANEL, ACS, 30, KICKPLATE, GG
6	007361-006	1	PANEL, ACS, 30, KICKPLATE, WH
6	007361-008	1	PANEL, ACS, 30, KICKPLATE, BU
6	007361-009	1	PANEL, ACS, 30, KICKPLATE, LE
6	007361-010	1	PANEL, ACS, 30, KICKPLATE, MJ
6	007361-012	1	PANEL, ACS, 30, KICKPLATE, VB
6	007361-013	1	PANEL, ACS, 30, KICKPLATE, CB
6	007361-015	1	PANEL, ACS, 30, KICKPLATE, PL
6	007361-016	1	PANEL, ACS, 30, KICKPLATE, CH
6	007361-017	1	PANEL, ACS, 30 KICKPLATE, TP
6	007361-018	1	PANEL, ACS, 30 KICKPLATE, CW
6	007361-019	1	PANEL, ACS, 30, KICKPLATE, OG
6	007361-020	1	PANEL, ACS, 30, KICKPLATE, GM
6	007361-021	1	PANEL, ACS, 30, KICKPLATE, SA
6	007361-022	1	PANEL, ACS, 30 KICKPLATE, SE
6	007361-023	1	PANEL, ACS, 30, KICKPLATE, IB
6	007361-024	1	PANEL, ACS, 30, KICKPLATE, AR
6	007361-025	1	PANEL, ACS, 30, KICKPLATE, RR
6	007361-026	1	PANEL, ACS, 30, KICKPLATE, PM
6	007361-027	1	PANEL, ACS, 30, KICKPLATE, MS
7	PD020068	4	NO.10 - 32 X 1/2TRUSS. PHIL. M.XSSX



Ref #	Part Number	Qty.	Description
1	001142-000	1	PLUG, DOOR, ASM, PORCELAIN
2	002560-000	1	30 DOOR PLUG INSULATION
3	004687-000	2	BRACKET, WDO
4	023453-000	1	SVC DOOR SKIN KIT, VGSC, IC, CC 30SS
4	023454-002	1	SVC DOOR SKIN KIT, VGSC, IC, CC 30 BK
4	023454-003	1	SVC DOOR SKIN KIT, VGSC, IC, CC 30 BT
4	023454-004	1	SVC DOOR SKIN KIT, VGSC, IC, CC 30 SG
4	023454-005	1	SVC DOOR SKIN KIT, VGSC, IC, CC 30 GG
4	023454-006	1	SVC DOOR SKIN KIT, VGSC, IC, CC 30 WH
4	023454-008	1	SVC DOOR SKIN KIT, VGSC, IC, CC 30 BU
4	023454-009	1	SVC DOOR SKIN KIT, VGSC, IC, CC 30 LE
4	023454-010	1	SVC DOOR SKIN KIT, VGSC, IC, CC 30 MJ
4	023454-012	1	SVC DOOR SKIN KIT, VGSC, IC, CC 30 VB
4	023454-013	1	SVC DOOR SKIN KIT, VGSC, IC, CC 30 CB
4	023454-015	1	SVC DOOR SKIN KIT, VGSC, IC, CC 30 PL
4	023454-016	1	SVC DOOR SKIN KIT, VGSC, IC, CC 30 CH
4	023454-017	1	SVC DOOR SKIN KIT, VGSC, IC, CC 30 TP
4	023454-018	1	SVC DOOR SKIN KIT, VGSC, IC, CC 30 CW
4	023454-019	1	SVC DOOR SKIN KIT, VGSC, IC, CC 30 OG
4	023454-020	1	SVC DOOR SKIN KIT, VGSC, IC, CC 30 GM
4	023454-021	1	SVC DOOR SKIN KIT, VGSC, IC, CC 30 SA
4	023454-022	1	SVC DOOR SKIN KIT, VGSC, IC, CC 30 SE
4	023454-023	1	SVC DOOR SKIN KIT, VGSC, IC, CC 30 IB
4	023454-024	1	SVC DOOR SKIN KIT, VGSC, IC, CC 30 AR
4	023454-025	1	SVC DOOR SKIN KIT, VGSC, IC, CC 30 RR
4	023454-026	1	SVC DOOR SKIN KIT, VGSC, IC, CC 30 PM
4	023454-027	1	SVC DOOR SKIN KIT, VGSC, IC, CC 30 MS
5	PE060030	1	GLASS-OUTER DOOR BK SCREENED,TEMP
6	PE060039	1	GLASS-HEAT TREATED (HB2) VDSC (MUST ODER ITEM NO. 4)
7	004688-000	1	PANEL, INSL, DOOR, LINER
8	002740-000	2	MANSFIELD HINGE, BLUE SPRING
9	005475-000	1	PANEL, INSL, DOOR, LINER
10	004691-000	1	LINER, DOOR, ASM, ASSY, GSC
11	PB070150	1	FIBERGLASS ROPE, 3/8 DIA.
12	003012-000	1	DOOR HANDLE ENDCAP ASSY, RH (CHROME)
13	002728-000	1	DOOR HANDLE - SS, 1.25 OD
14	003011-000	1	DOOR HANDLE ENDCAP ASSY, LH (CHROME)
NI	006468-000	1	DOOR ASSY, SS VGCC530
NI	006468-100	1	DOOR ASSEMBLY - VGCC530 SS/BR
NI	007364-002	1	DOOR ASSEMBLY - BK
NI	007364-102	1	DOOR ASSEMBLY - BK/BR
NI	007364-003	1	DOOR ASSEMBLY - BT
NI	007364-103	1	DOOR ASSEMBLY - BT/BR
NI	007364-004	1	DOOR ASSEMBLY - SG
NI	007364-104	1	DOOR ASSEMBLY - SG/BR
NI	007364-005	1	DOOR ASSEMBLY - GG
NI	007364-105	1	DOOR ASSEMBLY - GG/BR
NI	007364-006	1	DOOR ASSEMBLY - WH
NI	007364-106	1	DOOR ASSEMBLY - WH/BR
NI	007364-007	1	DOOR ASSEMBLY - AL
NI	007364-107	1	DOOR ASSEMBLY - AL/BR
NI	007364-008	1	DOOR ASSEMBLY - BU
NI	007364-108	1	COMPLETE DOOR ASSEMBLY BU/BR
NI	007364-009	1	DOOR ASSEMBLY - LE
NI	007364-109	1	DOOR ASSEMBLY - LE/BR
NI	007364-010	1	DOOR ASSEMBLY - MJ
NI	007364-110	1	DOOR ASSEMBLY - MJ/BR
NI	007364-011	1	DOOR ASSEMBLY - FG
NI	007364-111	1	DOOR ASSEMBLY - FG/BR

Ref #	Part Number	Qty.	Description
NI	007364-111	1	DOOR ASSEMBLY - FG/BR
NI	007364-012	1	DOOR ASSEMBLY - VB
NI	007364-112	1	DOOR ASSEMBLY - VB/BR
NI	007364-013	1	DOOR ASSEMBLY - CB
NI	007364-113	1	DOOR ASSEMBLY - CB/BR
NI	007364-014	1	DOOR ASSEMBLY - EP
NI	007364-114	1	DOOR ASSEMBLY - EP/BR
NI	007364-015	1	DOOR ASSEMBLY - PL
NI	007364-115	1	DOOR ASSEMBLY - PL/BR
NI	007364-016	1	DOOR ASSEMBLY - CH
NI	007364-116	1	DOOR ASSEMBLY - CH/BR
NI	007364-017	1	DOOR ASSEMBLY - TP
NI	007364-117	1	DOOR ASSEMBLY - TP/BR
NI	007364-018	1	DOOR ASSEMBLY - CW
NI	007364-118	1	DOOR ASSEMBLY - CW/BR
NI	007364-019	1	DOOR ASSEMBLY - OG
NI	007364-119	1	DOOR ASSEMBLY - OG/BR
NI	007364-020	1	DOOR ASSEMBLY - GM
NI	007364-120	1	DOOR ASSEMBLY - GM/BR
NI	007364-021	1	DOOR ASSEMBLY - SA
NI	007364-121	1	DOOR ASSEMBLY - SA/BR
NI	007364-022	1	DOOR ASSEMBLY - SE
NI	007364-122	1	DOOR ASSEMBLY - SE/BR
NI	007364-023	1	DOOR ASSEMBLY - IB
NI	007364-123	1	DOOR ASSEMBLY - IB/BR
NI	007364-024	1	DOOR ASSEMBLY - AR
NI	007364-124	1	DOOR ASSEMBLY - AR/BR
NI	007364-025	1	DOOR ASSEMBLY - RR
NI	007364-125	1	DOOR ASSEMBLY - RR/BR
NI	007364-026	1	DOOR ASSEMBLY - PM
NI	007364-126	1	DOOR ASSEMBLY - PM/BR
NI	007364-027	1	DOOR ASSEMBLY - MS
NI	007364-127	1	DOOR ASSEMBLY - MS/BR
NI	024604-000	1	INSULATION ANGLE
NI	000042-000	1	30 DOOR GASKET

*No Image
Available*

Ref #	Part Number	Qty.	Description
NI	024606-000	1	WIRE, BAKE, ELECTRODE, ASM
NI	023341-000	1	IRIS HARNESS 24, 30
NI	000647-000	2	IRIS IGNITOR WIRE, FRONT BURNER
NI	006308-000	1	WIRE HARNESS, VGCC530 (BEFORE 1/4/11)
NI	025987-000	1	HARN, VGCC 30 (ON OR AFTER 1/4/11)
NI	026076-000	1	HARNESS, 30 VGCC
NI	023750-000	1	CORD, SUPPLY
NI	001754-000	1	HARNESS POWER DISCONNECT
NI	024605-000	1	WIRE, BRL, ELECTRODE, ASM
NI	PE070036	2	TIE WRAP
NI	006766-000	2	IRIS IGNITOR WIRE, BACK BURNER
NI	043832-000	1	30 SPILL GUTTER KIT (FOR UNITS MANUFACTURED BEFORE 1/3/13)