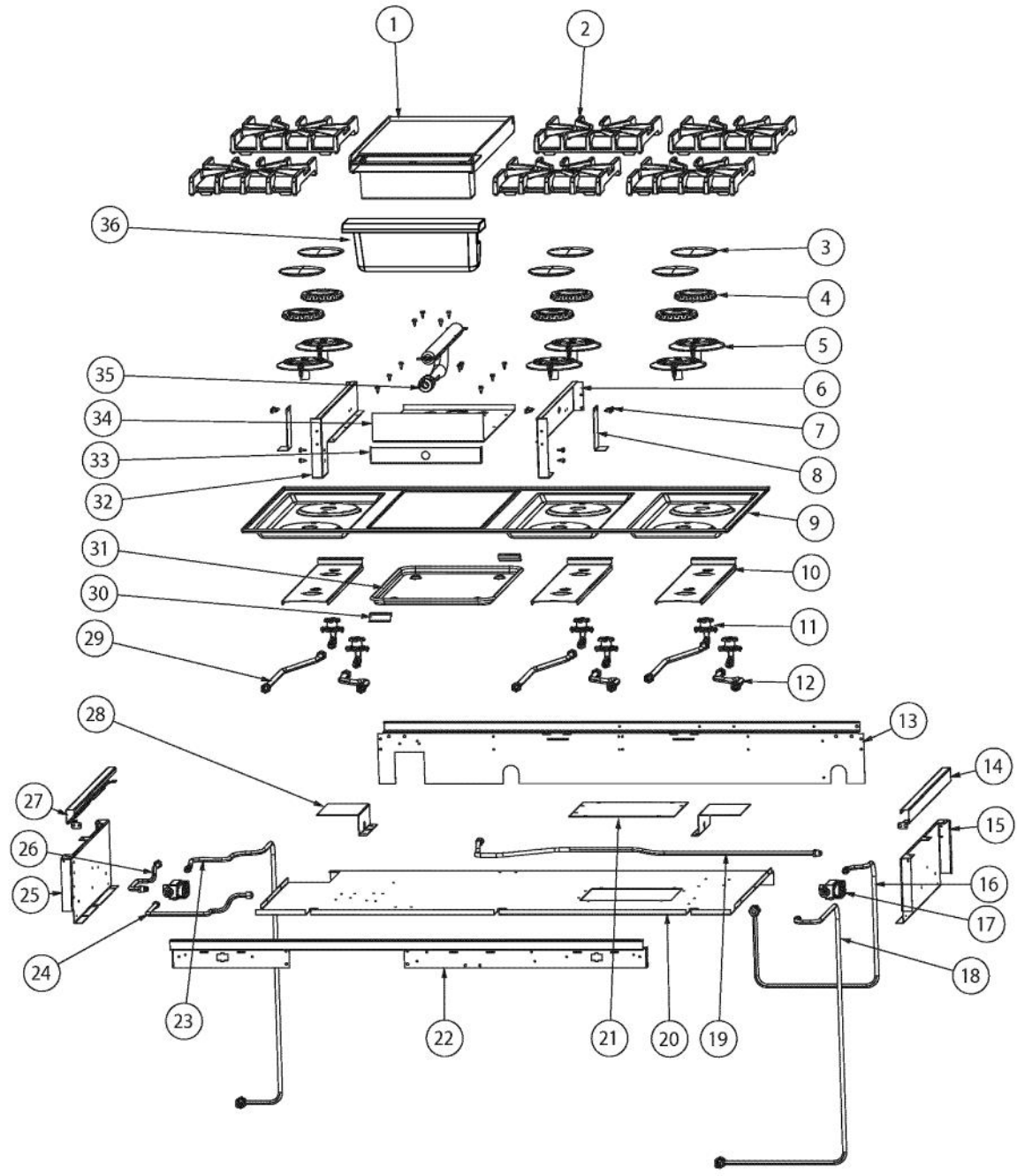
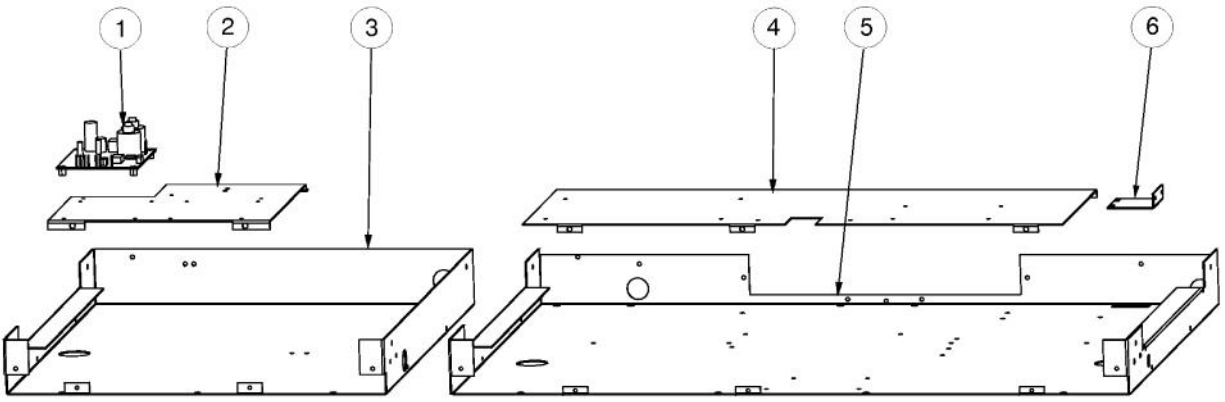


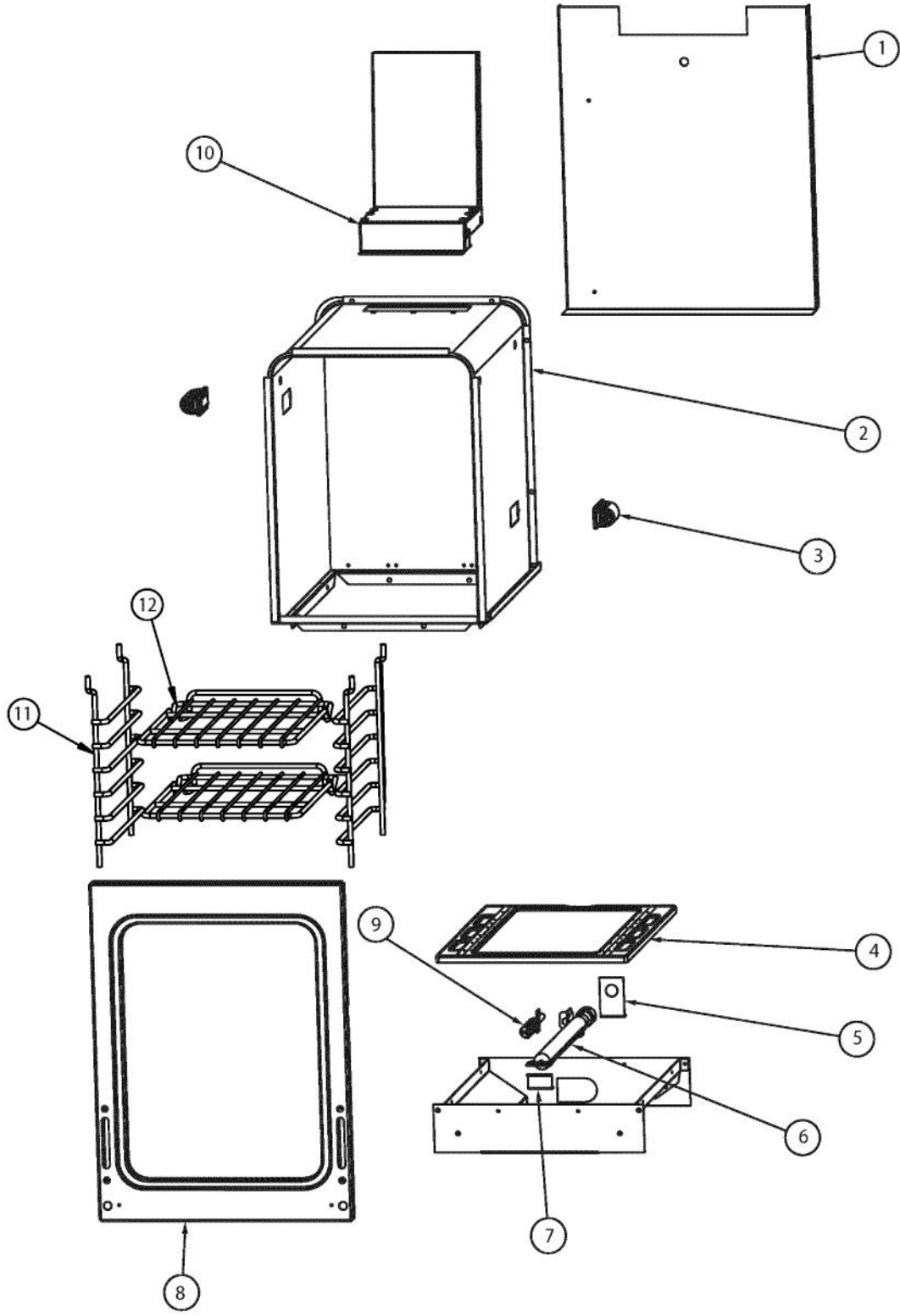
| Ref # | Part Number | Qty. | Description  |
|-------|-------------|------|--|
| 1     | 013320-000  | 1    | VALVE, SHUTOFF, 90 DEGREE                                    |
| 2     | PA070003    | 1    | PRESSURE REGULATOR (NAT.)                                    |
| 3     | PB030007    | 1    | SHUT OFF VALVE   |
| 4     | PA020058    | 7    | IRIS SINGLE SPARK MODULE                                     |
| 5     | 006015-000  | 7    | VALVE, BRS, SEALED TOP - ISPHORDING                          |
| 6     | 012794-000  | 1    | MANIFOLD,ASM,48 8B/6Q  |
| 7     | PE050023    | 3    | OVEN IND. LIGHT (LENS & BEZEL)                               |
| 8     | PE050024    | 3    | OVEN IND. LIGHT (LIGHT HOUSING)                              |
| 9     | 006355-000  | 1    | SPLASHPROOF ROCKER SWITCH                                    |
| 10    | PB010304    | 9    | KNOB BEZEL   |
| 11    | 005269-000  | 6    | RANGE TOP BURNER KNOB-BRUSHED, SSS<br>BEFORE 12/20/12        |
| 11    | 035881-000  | 6    | KNOB, BNR, TOP PRO CR3<br>AFTER (12/20/12)                   |
| 12    | 006570-000  | 1    | KNOB, GRDL/(LH OVEN), ASM, PVD, NO.3, SSS<br>BEFORE 12/20/12 |
| 12    | 035883-000  | 1    | KNOB,GRDL,PRO CR3<br>AFTER (12/20/12)                        |
| 13    | 009075-000  | 1    | PANEL,CTRL, VGCC548-6G ASM                                   |
| 14    | PD040004    | 4    | GROMMET BUMPER   |
| 15    | PD020032    | 4    | SRW-8(A)X3/8PH.WFR HD 7/16DIAXNICL                           |
| 16    | 011671-000  | 1    | TRIM, FRONT  |
| 17    | 006570-000  | 2    | KNOB, GRDL/(LH OVEN), ASM, PVD, NO.3, SSS<br>BEFORE 12/20/12 |
| 17    | 035883-000  | 2    | KNOB,GRDL,PRO CR3<br>AFTER (12/20/12)                        |
| 18    | 003719-000  | 1    | OVEN LIGHT SWITCH, BLACK                                     |
| 19    | 000336-000  | 2    | ELECTRONIC THERMOSTAT - 2 POS.                               |
| NI    | 014328-000  | 1    | COVER, RGLR, 48 GAS  |
| NI    | 008416-000  | 1    | KNOB, THERMOSTAT, NO.3 SSS, ASM, VGCC<br>BEFORE 12/20/12     |
| NI    | 035891-000  | 1    | KNOB,OVN,TSTAT, PRO VGCC CR3<br>AFTER (12/20/12)             |
| NI    | 033879-000  | 1    | VGCC548 SERVICE BLOWER KIT                                   |



| Ref # | Part Number | Qty. | Description                              |
|-------|-------------|------|--|
| 1     | 012291-000  | 1    | GRIDDLE ASM, CUSTOM RANGES               |
| 2     | 007323-000  | 6    | BURNER GRATE                             |
| 3     | PA080083    | 6    | D BURNER CAP XMATTE BLACKX               |
| 4     | 006706-000  | 6    | B6 REV SEALED BURNER                     |
| 5     | 003322-041  | 6    | SEALED BURNER BASE, PAINTED FINISH       |
| 6     | 009097-000  | 1    | RIGHT GRIDDLE SUPPORT, 36                |
| 7     | 003860-000  | 22   | NO.10-18 X .500 FASTNR,SCR,HXWH,STL,ZPLT |
| 8     | 010649-000  | 2    | FOOT, GRIDDLE BOX , VG536-4G             |
| 9     | E9109801BK  | 1    | 48 SEALED COOKTOP 6BG & 6BQ XBKX         |
| 10    | 002923-000  | 3    | BURNER MODULE SUPPORT                    |
| 11    | 001394-000  | 6    | 15000 BTU NAT JETHOLDER                  |
| 12    | PB020192    | 3    | 10 FLEX TUBING W/CONNECTORS              |
| 13    | 008609-000  | 1    | SUPPORT, BACK                            |
| 14    | 002920-000  | 1    | SIDE TRIM, RH - STAINLESS                |
| 15    | 002755-000  | 1    | BURNER BOX SIDE, RH                      |
| 16    | 011608-000  | 1    | TUBING, VALVE TO BROIL ASSY              |
| 17    | 009112-000  | 2    | VALVE, SOL, DOUBLE                       |
| 18    | 011545-000  | 1    | TUBING, MAIN, 48 OVEN ASSY               |
| 19    | 011570-000  | 1    | TUBING, VALVE TO VALVE ASSY              |
| 20    | 008450-000  | 1    | PANEL, CTR                               |
| 21    | 009268-000  | 1    | PLATE, SHORT FAN COVER                   |
| 22    | 008461-000  | 1    | SUPPORT, FRONT                           |
| 23    | 009821-000  | 1    | TUBING, 18 OVEN ASSY                     |
| 24    | 011670-000  | 1    | TUBING, 6Q BURNER ASSY                   |
| 25    | 003481-000  | 1    | BURNER BOX SIDE, LH                      |
| 26    | 011602-000  | 1    | TUBING, VALVE TO MANIFOLD ASSY           |
| 27    | 003649-000  | 1    | SIDE TRIM, LH - STAINLESS                |
| 28    | 010251-000  | 2    | COVER, SOL                               |
| 29    | PB020193    | 3    | 16 FLEX TUBING W/CONNECTORS              |
| 30    | 008286-000  | 2    | BRACKET,DRIP,PAN,CUSTOM,Q-MODELS         |
| 31    | PB080061    | 1    | GREASE PAN                               |
| 32    | 009096-000  | 1    | LEFT GRIDDLE SUPPORT, 36                 |
| 33    | 006783-000  | 1    | GRIDDLE BRKT, ORIFICE, CUSTOM RANGES     |
| 34    | 006780-000  | 1    | GRIDDLE, BOX, BOTTOM                     |
| 35    | 008742-000  | 1    | BURNER, GRIDDLE, CUSTOM                  |
| 36    | 012165-700  | 1    | TROUGH, GRS, ASM, COATED                 |
| NI    | 013408-000  | 1    | GRIDDLE HEADER                           |
| NI    | 012235-000  | 1    | ELECTRONIC THERMOSTAT - 2 POS. W/O LEADS |

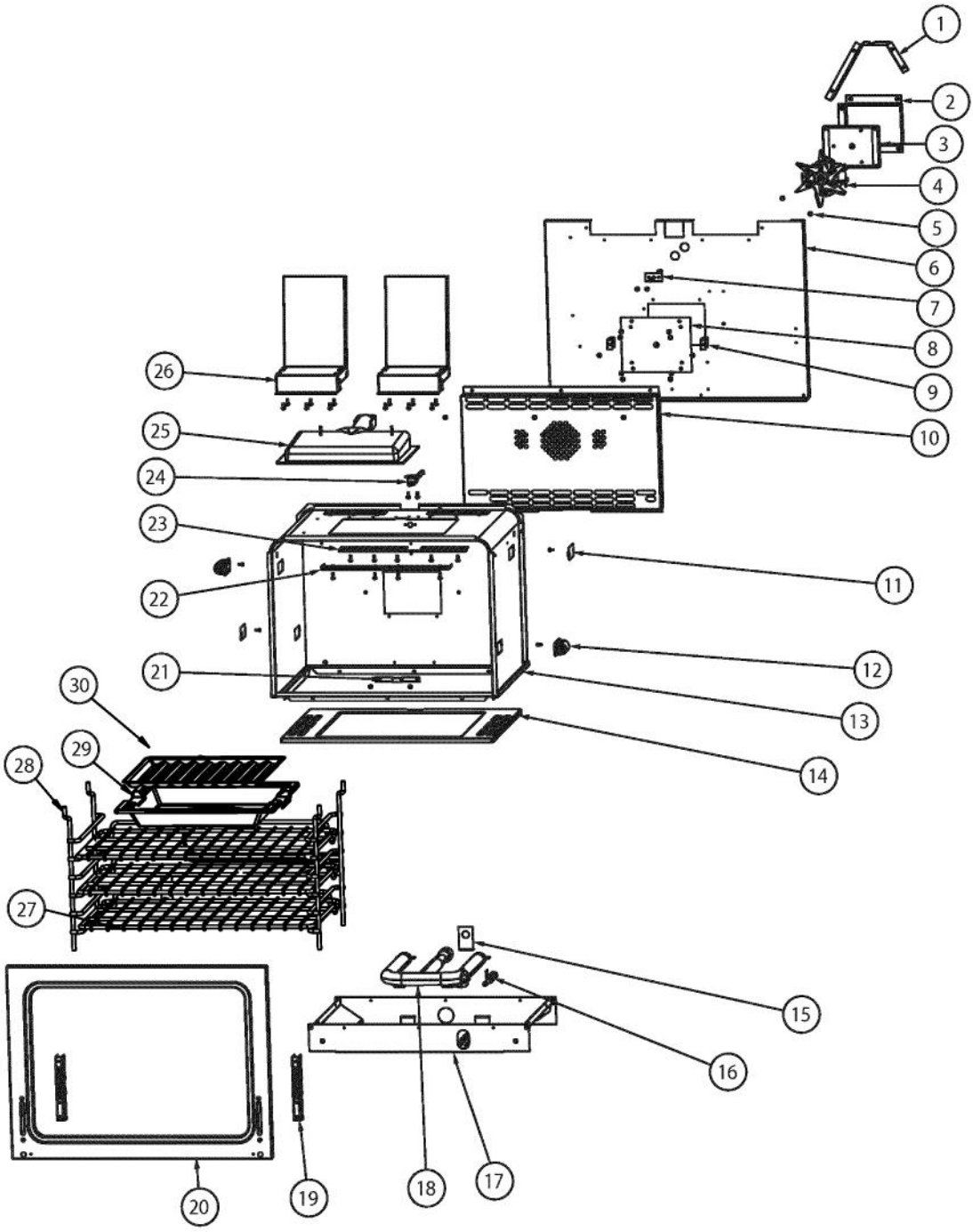


| Ref # | Part Number | Qty. | Description                                 |
|-------|-------------|------|---|
| 1     | PA020056    | 1    | TYTRONICS DSI MODULE<br>(BEFORE 12/29/12)   |
| 1     | 023651-000  | 1    | DSI120 LONG PURGE<br>(ON OR AFTER 12/29/12) |
| 2     | 008011-000  | 1    | 36 ELECTRONIC PLATE                         |
| 3     | 007374-000  | 1    | TOP, LH CAB, VGSC 48                        |
| 4     | 005315-000  | 1    | TRAY, ELEX, 30, GSC                         |
| 5     | 004628-000  | 1    | TOP, CAB                                    |
| 6     | A20012649   | 1    | DOOR SWITCH BRACKET                         |
| NI    | PJ030039    | 1    | BI-METAL THERMOSTAT 275 DEGREES             |
| NI    | 030567-000  | 1    | FAN, BLOW, ASM 120V                         |

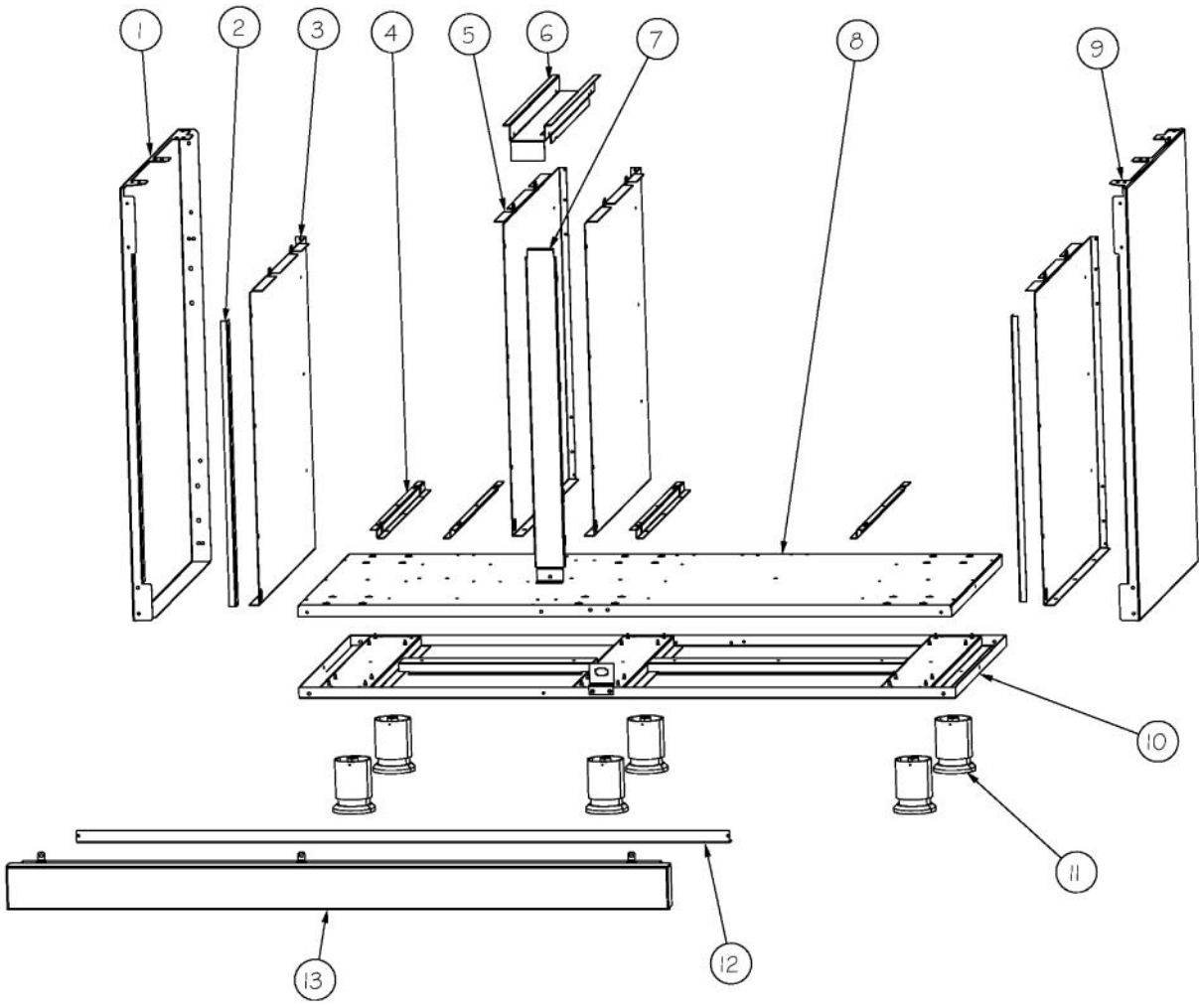


| Ref # | Part Number    | Qty. | Description  |
|-------|----------------|------|--|
| 1     | 007705-000     | 1    | COVER, INSIDE BACK, VGSC 18                        |
| 2     | NON-SERVACABLE | 1    | OVEN CAVITY, 48 LH PORC ASM                        |
| 3     | 005311-000     | 2    | 120V/25W HALOGEN LIGHT                             |
| 4     | G3205588       | 1    | OVEN BOTTOM PAN ASSY 48LH                          |
| 5     | 005529-000     | 1    | BAKE ORIFICE MTG BRKT<br>(BEFORE 2/11/13)          |
| 5     | 040736-000     | 1    | BRKT, ORF<br>(ON OR AFTER 2/11/13)                 |
| 6     | 009225-000     | 1    | BURNER ASM, NAT.                                   |
| 7     | B2004415       | 1    | BURNER BRACKET (VGSC306)                           |
| 8     | 023093-000     | 1    | FRONT FRAME, ASSY                                  |
| 9     | PB040170       | 1    | BAKE IGNITION ELECTRODE                            |
| 10    | 006192-000     | 1    | VENT, ASM, OVEN ASSEMBLY                           |
| 11    | PB060030       | 2    | RACK SUPT REPL PB060010<br>BEFORE 12/20/12         |
| 11    | 030191-000     | 2    | GUIDE, RACK<br>AFTER (12/20/12)                    |
| 12    | PB060046       | 2    | OVEN RK VDSC48-LH REPL PB060023<br>BEFORE 12/20/12 |
| 12    | 040963-000     | 2    | RACK, PRO, 18<br>AFTER (12/20/12)                  |
| NI    | 023943-000     | 1    | KIT,FRNT FRAME, BRNR BRKT, DOOR BRKT ASM           |

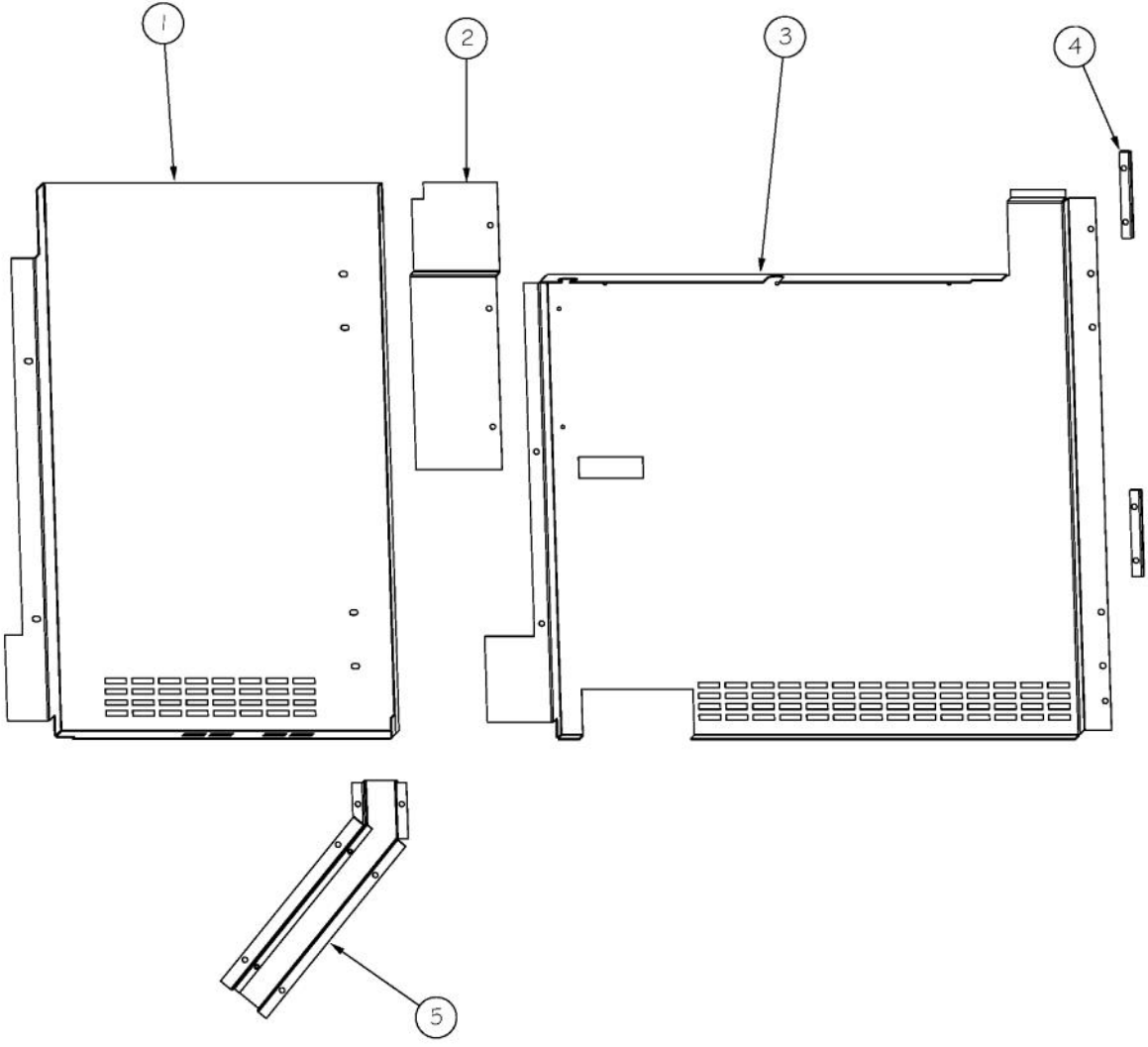




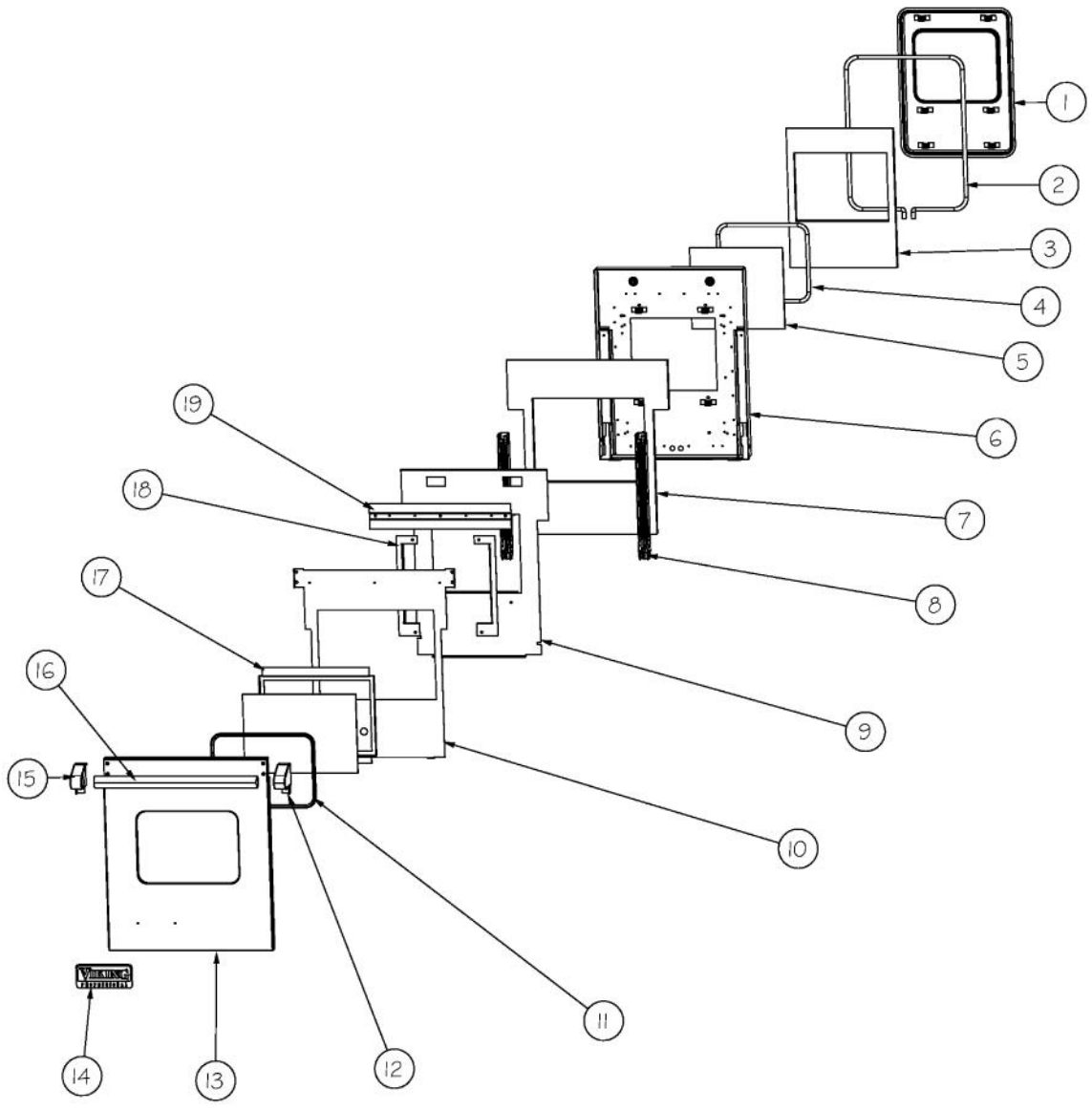
| Ref # | Part Number    | Qty. | Description  |
|-------|----------------|------|--|
| 1     | 006946-000     | 1    | SHIELD, BRL, EXHAUST                                 |
| 2     | A2008467       | 1    | INSULATION SHIELD<br>NO LONGER USED ON THIS MODEL    |
| 3     | A2002595       | 1    | CONVECTION FAN BOX (VDSC)                            |
| 4     | PE050057       | 1    | CONVECTION FAN (VGSC306)<br>(BEFORE 8/31/11)         |
| 4     | 023090-000     |      | MOTOR, CONV ASM?<br>(ON OR AFTER 8/31/11)            |
| 5     | PD020048       | 41   | NO.10 X 1/2 TEK 410 SS SCREW                         |
| 6     | 020404-000     | 1    | INSULATION, BACK, PANEL, 30                          |
| 7     | PE050206       | 1    | RTD THERMOSTAT PROBE                                 |
| 8     | A1002596       | 1    | CONVECTION FAN COVER (VDSC)                          |
| 9     | A2001361       | 2    | BACK SPACER (VGSC/VGSS)                              |
| 10    | G9104482       | 1    | CONVECTION FAN COVER ASSY (VGSC306)                  |
| 11    | E91012614      | 2    | LIGHT HOLE COVER                                     |
| 12    | 005311-000     | 2    | 120V/25W HALOGEN LIGHT                               |
| 13    | NON-SERVACAB;E | 1    | OVEN CAVITY WELD                                     |
| 14    | G9104438       | 1    | OVEN BOTTOM PAN ASSY (VGSC306)                       |
| NI    | A2004439       | 1    | OVEN BOTTOM SHIELD (VGSC306)                         |
| 15    | 005529-000     | 1    | BAKE ORIFICE MTG BRKT<br>(BEFORE 2/11/13)            |
| 15    | 040736-000     | 1    | BRKT, ORF<br>(ON OR AFTER 2/11/13)                   |
| 16    | PB040170       | 1    | BAKE IGNITION ELECTRODE                              |
| 17    | 005102-000     | 1    | BURNER PAN ASSEMBLY                                  |
| 18    | 005329-000     | 1    | BURNER, OVEN, ASM                                    |
| 19    | 003060-000     | 2    | HINGE RECEPTACLE, VDSC CUSTOM                        |
| 20    | 005373-000     | 1    | 30 FRONT FRAME WELD ASSY                             |
| 21    | A2004428       | 1    | REAR BOTTOM BRCKT (VGSC306)<br>(BEFORE 8/31/11)      |
| 22    | B2001448       | 1    | IR BROIL SUPT (FRONT)                                |
| 23    | B2005589       | 1    | REAR BROILER BRACKET                                 |
| 24    | PB040171       | 1    | BROIL IGNITION ELECTRODE                             |
| 25    | G3001876       | 1    | IR BURNER ASSY (VGSC/RC) N/S                         |
| 26    | 006192-000     | 2    | VENT, ASM, OVEN ASSEMBLY                             |
| 27    | PB060044       | 3    | OVEN RK VDSC30/48RH REPL PB060019<br>BEFORE 12/20/12 |
| 27    | 040863-000     | 3    | RACK, PRO, 30<br>AFTER (12/20/12)                    |
| 28    | PB060030       | 2    | RACK SUPT REPL PB060010<br>BEFORE 12/20/12           |
| 28    | 030191-000     | 2    | GUIDE, RACK<br>AFTER (12/20/12)                      |
| 29    | E9107933       | 1    | BROILER PAN  |
| 30    | E9107934       | 1    | BROILER PAN INSERT                                   |
| NI    | 040345-000     | 2    | RACK, GLDE, 30, PRO ASSY                             |



| Ref # | Part Number | Qty. | Description                        |
|-------|-------------|------|------------------------------------|
| 1     | 003588-000  | 1    | SIDE PANEL, LH                     |
| 2     | 005536-000  | 2    | TRIM                               |
| 3     | 004482-000  | 2    | INSULATION, PNL, SIDE, LH          |
| 4     | A2004429    | 4    | OVEN BOTTOM INSUL. BRACE (VGSC306) |
| 5     | 004479-000  | 2    | INSULATION, PNL, SIDE, RH          |
| 6     | 008638-000  | 1    | OVEN DIVIDER                       |
| 7     | 009820-000  | 1    | TRIM, CTR, GAS 48 ASM              |
| 8     | 007193-000  | 1    | BASE TOP PLATE                     |
| 9     | 002905-000  | 1    | SIDE PANEL, RH, SST                |
| 10    | 024942-000  | 1    | BASE, BOT, 48 GAS                  |
| 11    | PC030031    | 6    | ADJUSTABLE LEG                     |
| 12    | 009280-000  | 1    | SPACER, BOT, 48 GAS RANGES         |
| 13    | 009568-000  | 1    | KICKPLATE, RNG, SST, VDSC 48       |
| 13    | 009630-002  | 1    | KICKPLATE, RNG, BK                 |
| 13    | 009630-003  | 1    | KICKPLATE, BT                      |
| 13    | 009630-004  | 1    | KICKPLATE, VGSC548, SG             |
| 13    | 009630-005  | 1    | KICKPLATE, RNG - GG                |
| 13    | 009630-006  | 1    | KICKPLATE, RANGE - WH              |
| 13    | 009630-008  | 1    | KICKPLATE, VGSC548, BU             |
| 13    | 009630-010  | 1    | KICKPLATE, VGSC548, MJ             |
| 13    | 009630-012  | 1    | KICKPLATE, VGSC548, VB             |
| 13    | 009630-013  | 1    | KICKPLATE, RNG CB                  |
| 13    | 009630-015  | 1    | KICKPLATE, VGSC548, PL             |
| 13    | 009630-016  | 1    | KICKPLATE, VGSC548, CH             |
| 13    | 009630-017  | 1    | KICKPLATE, VGSC548, TP             |
| 13    | 009630-018  | 1    | KICKPLATE, VGSC548, CW             |
| 13    | 009630-021  | 1    | KICKPLATE, VGSC548, SA             |
| 13    | 009630-022  | 1    | KICKPLATE, VGSC548, SE             |
| 13    | 009630-023  | 1    | KICKPLATE, VGSC548, IB             |
| 13    | 009630-024  | 1    | KICKPLATE, RANGE - AR              |
| 13    | 009630-025  | 1    | KICKPLATE, VGSC548, RR             |
| NI    | 008741-025  | 1    | TRIM, CENTER, VGSC548, RR          |

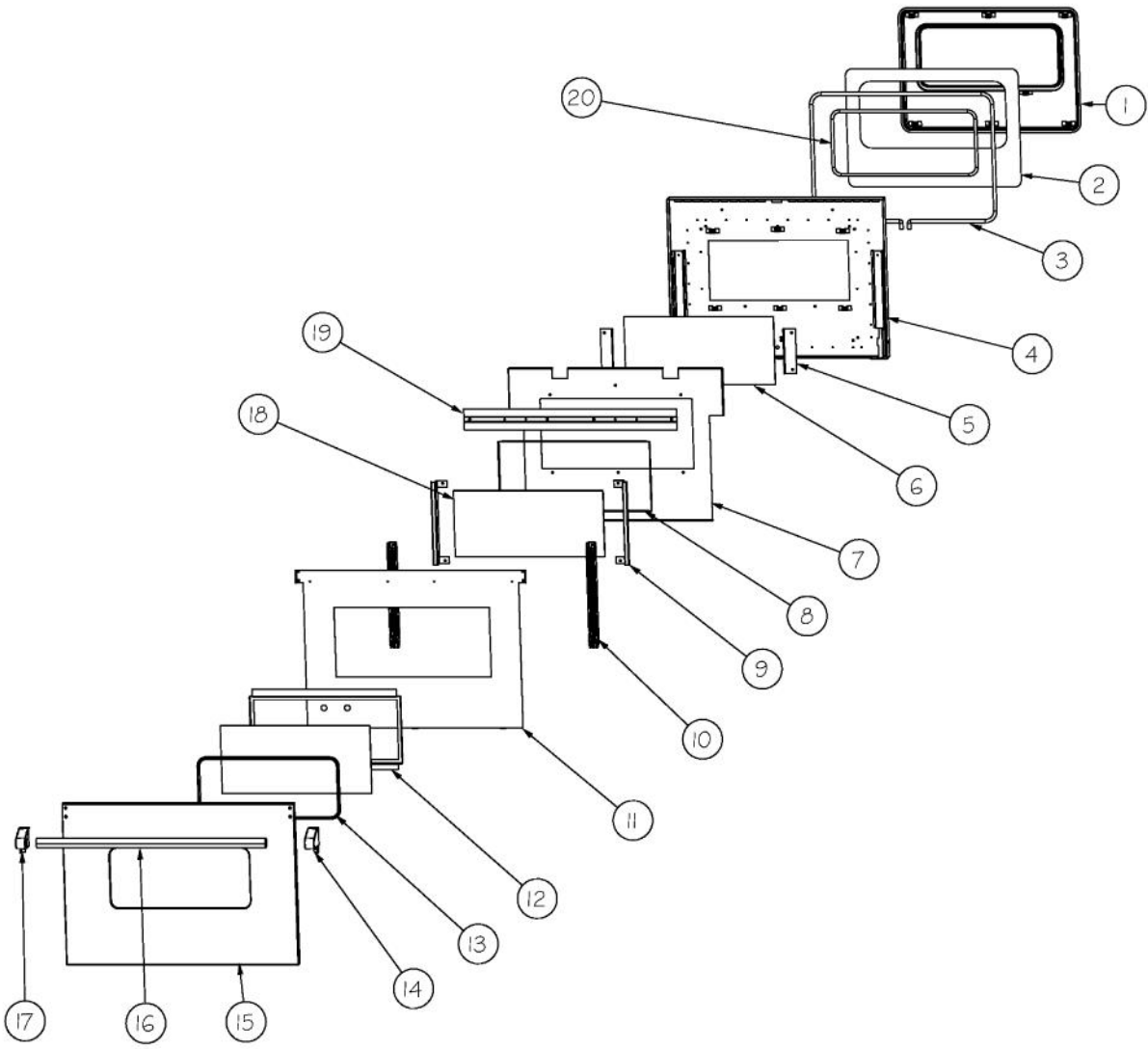


| Ref # | Part Number | Qty. | Description         |
|-------|-------------|------|---------------------|
| 1     | 007701-000  | 1    | COVER, 18 BACK VGSC |
| 2     | 006962-000  | 1    | COVER, INL, BACK    |
| 3     | 032123-000  | 1    | CABINET, BACK       |
| 4     | 006744-000  | 2    | STANDOFF, CAB, VGSC |
| 5     | 006949-000  | 1    | DUCT, AIR, ASM      |



| Ref # | Part Number | Qty. | Description  |
|-------|-------------|------|--|
| 1     | 000943-000  | 1    | PLUG, DOOR, WELD 48 LH   |
| 2     | 000080-000  | 1    | 48 LH DOOR GASKET  |
| 3     | PB070145    | 1    | SUPERWOOL 5 X 24 X 3`  |
| 4     | PB070150    | 1    | FIBERGLASS ROPE, 3/8 DIA.  |
| 5     | PE060032    | 2    | GLASS (HEAT BARRIER) LH DF48DOOR   |
| 6     | 007221-000  | 1    | LINER, DOOR, WELD ASM  |
| 7     | PB070145    | 1    | SUPERWOOL 5 X 24 X 3`  |
| 8     | 013303-000  | 2    | HINGE, DOOR, VR 18 YELLOW SPRING   |
| 9     | 007202-000  | 1    | DOOR, INNER HEAT SINK, VGCC/SC 48 LH   |
| 10    | 007222-000  | 1    | PANEL, INSL, DOORSKIN, VGSC 18   |
| 11    | PE060046    | 1    | J-MOLD LH SS (DF48 DOOR)<br>(NOT FIELD REPLACEABLE - MUST ORDER ITEM NO. 13) |
| 12    | 003012-000  | 1    | DOOR HANDLE ENDCAP ASSY, RH (CHROME)   |
| 13    | 019975-000  | 1    | 48 DOOR SKIN SRV KIT LH  |
| 13    | 020038-002  | 1    | LH DOOR SKIN KIT SRV, VGSC548 BK   |
| 13    | 020038-003  | 1    | LH DOOR SKIN KIT SRV, VGSC548 BT   |
| 13    | 020038-004  | 1    | LH DOOR SKIN KIT SRV, VGSC548 SG   |
| 13    | 020038-005  | 1    | LH DOOR SKIN KIT SRV, VGSC548 GG   |
| 13    | 020038-006  | 1    | LH DOOR SKIN KIT SRV, VGSC548 WH   |
| 13    | 020038-008  | 1    | LH DOOR SKIN KIT SRV, VGSC548 BU   |
| 13    | 020038-009  | 1    | LH DOOR SKIN KIT SRV, VGSC548 LE   |
| 13    | 020038-010  | 1    | LH DOOR SKIN KIT SRV, VGSC548 MJ   |
| 13    | 020038-012  | 1    | LH DOOR SKIN KIT SRV, VGSC548 VB   |
| 13    | 020038-013  | 1    | LH DOOR SKIN KIT SRV, VGSC548 CB   |
| 13    | 020038-015  | 1    | LH DOOR SKIN KIT SRV, VGSC548 PL   |
| 13    | 020038-016  | 1    | LH DOOR SKIN KIT SRV, VGSC548 CH   |
| 13    | 020038-017  | 1    | LH DOOR SKIN KIT SRV, VGSC548 TP   |
| 13    | 020038-018  | 1    | LH DOOR SKIN KIT SRV, VGSC548 CW   |
| 13    | 020038-019  | 1    | LH DOOR SKIN KIT SRV, VGSC548 OG   |
| 13    | 020038-020  | 1    | LH DOOR SKIN KIT SRV, VGSC548 GM   |
| 13    | 020038-021  | 1    | LH DOOR SKIN KIT SRV, VGSC548 SA   |
| 13    | 020038-022  | 1    | LH DOOR SKIN KIT SRV, VGSC548 SE   |
| 13    | 020038-023  | 1    | LH DOOR SKIN KIT SRV, VGSC548 IB   |
| 13    | 020038-024  | 1    | LH DOOR SKIN KIT SRV, VGSC548 AR   |
| 13    | 020038-025  | 1    | LH DOOR SKIN KIT SRV, VGSC548 RR   |
| 13    | 020038-026  | 1    | LH DOOR SKIN KIT SRV, VGSC548 PM   |
| 13    | 020038-027  | 1    | LH DOOR SKIN KIT SRV, VGSC548 MS   |
| 14    | PE010030    | 1    | LOGO, 6, PRO, BK   |
| 15    | 003011-000  | 1    | DOOR HANDLE ENDCAP ASSY, LH (CHROME)   |
| 16    | 006221-000  | 1    | 18 DOOR HANDLE, SST  |
| 17    | 008336-000  | 1    | FRAME, GL<br>(NOT FIELD REPLACEABLE - MUST ORDER ITEM NO. 13)                |
| 18    | 009830-000  | 2    | RETAINER, INSL, LH   |
| 19    | 006225-000  | 1    | BRACKET, DOOR, ASM, MT, VDSC 18  |





| Ref # | Part Number | Qty. | Description                          |
|-------|-------------|------|--------------------------------------|
| 1     | 000935-000  | 1    | PLUG, DOOR, WELD                     |
| 2     | 002560-000  | 1    | 30 DOOR PLUG INSULATION              |
| 3     | 000042-000  | 1    | 30 DOOR GASKET                       |
| 4     | 004691-000  | 1    | LINER, DOOR, ASM, ASSY, GSC          |
| 5     | A2002189    | 2    | DOOR GLASS STANDOFF (VDSC)           |
| 6     | PE060039    | 2    | GLASS-HEAT TREATED (HB2) VDSC        |
| 7     | 004688-000  | 1    | PANEL, INSL, DOOR, LINER             |
| 8     | 007583-000  | 1    | BRACKET, GLASS                       |
| 9     | 004687-000  | 1    | BRACKET, WDO                         |
| 10    | 002740-000  | 2    | MANSFIELD HINGE, BLUE SPRING         |
| 11    | 004684-000  | 1    | PANEL, DOOR, INSULATION, GSC         |
| 12    | 008097-000  | 1    | FRAME, GLASS, ALUMINUM               |
|       |             |      | MUST ORDER ITEM NO.15                |
| 13    | PE060031    | 1    | J-MOLD (LARGE WINDOW)                |
|       |             |      | MUST ORDER ITEM NO.15                |
| 14    | 003012-000  | 1    | DOOR HANDLE ENDCAP ASSY, RH (CHROME) |
| 15    | 023649-000  | 1    | 48 DOOR SKIN SRV KIT, RH SS          |
| 15    | 020032-003  | 1    | 48 DOO SKIN SRV KIT, RH BT           |
| 15    | 020032-004  | 1    | 48 DOO SKIN SRV KIT, RH SG           |
| 15    | 020032-005  | 1    | 48 DOO SKIN SRV KIT, RH GG           |
| 15    | 020032-006  | 1    | 48 DOO SKIN SRV KIT, RH WH           |
| 15    | 020032-008  | 1    | 48 DOO SKIN SRV KIT, RH BU           |
| 15    | 020032-009  | 1    | 48 DOO SKIN SRV KIT, RH LE           |
| 15    | 020032-010  | 1    | 48 DOO SKIN SRV KIT, RH MJ           |
| 15    | 020032-012  | 1    | 48 DOO SKIN SRV KIT, RH VB           |
| 15    | 020032-013  | 1    | 48 DOO SKIN SRV KIT, RH CB           |
| 15    | 020032-015  | 1    | 48 DOO SKIN SRV KIT, RH PL           |
| 15    | 020032-016  | 1    | 48 DOO SKIN SRV KIT, RH CH           |
| 15    | 020032-017  | 1    | 48 DOO SKIN SRV KIT, RH TP           |
| 15    | 020032-018  | 1    | 48 DOO SKIN SRV KIT, RH CW           |
| 15    | 020032-019  | 1    | 48 DOO SKIN SRV KIT, RH OG           |
| 15    | 020032-020  | 1    | 48 DOO SKIN SRV KIT, RH GM           |
| 15    | 020032-021  | 1    | 48 DOO SKIN SRV KIT, RH SA           |
| 15    | 020032-022  | 1    | 48 DOO SKIN SRV KIT, RH SE           |
| 15    | 020032-023  | 1    | 48 DOO SKIN SRV KIT, RH IB           |
| 15    | 020032-024  | 1    | 48 DOO SKIN SRV KIT, RH AR           |
| 15    | 020032-027  | 1    | 48 DOO SKIN SRV KIT, RH MS           |
| 16    | 002728-000  | 1    | DOOR HANDLE - SS, 1.25 OD            |
| 17    | 003011-000  | 1    | DOOR HANDLE ENDCAP ASSY, LH (CHROME) |
| 18    | PE060030    | 1    | GLASS-OUTER DOOR BK SCREENED,TEMP    |
|       |             |      | MUST ORDER ITEM NO.15                |
| 19    | 006553-000  | 1    | DOOR BRACKET, WELD ASSY              |
| 20    | PB070150    | 1    | FIBERGLASS ROPE, 3/8 DIA.            |
| NI    | 013137-002  | 1    | DOOR ASSY, VGCC548 RH BK             |
| NI    | 013137-026  | 1    | DOOR ASSY, CRS VGCC548 RH , PM       |

*No Image  
Available*

| Ref # | Part Number | Qty. | Description   |
|-------|-------------|------|---|
| NI    | 001754-000  | 1    | HARNESS POWER DISCONNECT<br>(BEFORE 12/29/10)                   |
| NI    | PE070036    | 1    | TIE WRAP  |
| NI    | 000647-000  | 3    | IRIS IGNITOR WIRE, FRONT BURNER                                 |
| NI    | 006766-000  | 3    | IRIS IGNITOR WIRE, BACK BURNER                                  |
| NI    | 013989-000  | 1    | HARNESS CONTROL 48 LH SC  |
| NI    | PE070892    | 1    | IRIS HARNESS - 60   |
| NI    | 009474-000  | 1    | HARNESS, MAIN, 48 LH<br>(BEFORE 12/29/10)                       |
| NI    | 025993-000  | 1    | HARNESS, MAIN 48 L.H.<br>(ON OR AFTER 12/29/10)                 |
| NI    | 009479-000  | 1    | VGCC MAIN HARNESS, 48<br>(BEFORE 12/29/10)                      |
| NI    | 025994-000  | 1    | HARNESS, 48 VGCC<br>(ON OR AFTER 12/29/10)                      |
| NI    | 009475-000  | 1    | GRIDDLE RTD HARNESS   |
| NI    | 009822-000  | 1    | CONTROL PANEL HARNESS, VGCC548-4GQ/6G                           |
| NI    | G4000936    | 2    | GROUND WIRE   |
| NI    | 007298-000  | 1    | BAKE IGNITOR WIRE, ASM<br>(BEFORE 12/29/10)                     |
| NI    | 024606-000  | 1    | WIRE, BAKE, ELECTRODE, ASM<br>(ON OR AFTER 12/29/10)            |
| NI    | 006765-000  | 1    | BROIL IGNITOR WIRE ASM<br>(BEFORE 12/29/10)                     |
| NI    | 024605-000  | 1    | WIRE, BRL, ELECTRODE, ASM<br>(ON OR AFTER 12/29/10)             |
| NI    | PE070891    | 1    | IRIS HARNESS - 48<br>(BEFORE 12/29/10)                          |
| NI    | 023325-000  | 1    | IRIS HARNESS, 48<br>(ON OR AFTER 12/29/10)                      |
| NI    | G4008493    | 1    | SUPPLY CORD ASSY- VGSI<br>(BEFORE 12/29/10)                     |
| NI    | 023750-000  | 1    | CORD, SUPPLY<br>(ON OR AFTER 12/29/10)                          |
| NI    | 024607-000  | 1    | WIRE, GRDL, ELECTRODE, ASM                                      |
| NI    | 043835-000  | 1    | 48 SPILL GUTTER KIT 1<br>(FOR UNITS MANUFACTURED BEFORE 1/9/13) |
| NI    | 009476-000  | 1    | HARNESS, POWER, 48<br>(BEFORE 12/29/10)                         |
| NI    | 015357-000  | 2    | IGNITOR, W/WIRE   |