

Ref #	Part Number	Qty.	Description
1	PG110005		TOP CABINET 0060843
2	PG110036		PANEL SIDE 0052366
3	PG110006		BACK CABINET UPPER 0059744
4	PG130012		CABINET BACK - LOWER
5	PG110035		SIDE CABINET UPPER 0060770
6	PG100010		TRIM TOP CONTROL PANEL 0307158
7	PE100039		TRIM SIDE LEFT 0307152
8	PE110039		VIK MEMBR SWITCH ASSY M1 31844101B
	PE110040		VIK MEMBR SWITCH ASSY M2 31844102W
	PE110044		CONTROL PANEL ASSY - SS
9	PG100011		TRIM CONTROL PANEL BOTTOM 0301885
10	PE100018		TRIM CENTER 0301884
NI	PE100038		TRIM INS CONTROL PANEL BTM 0301918
11	PE100036		TRIM BOTTOM 0301883
NI	PE100019		TRIM INSERT CENTER 0301917
12	PE100040		TRIM SIDE RIGHT 0307153
NI	PE100037		TRIM INSERT BOTTOM 0301916

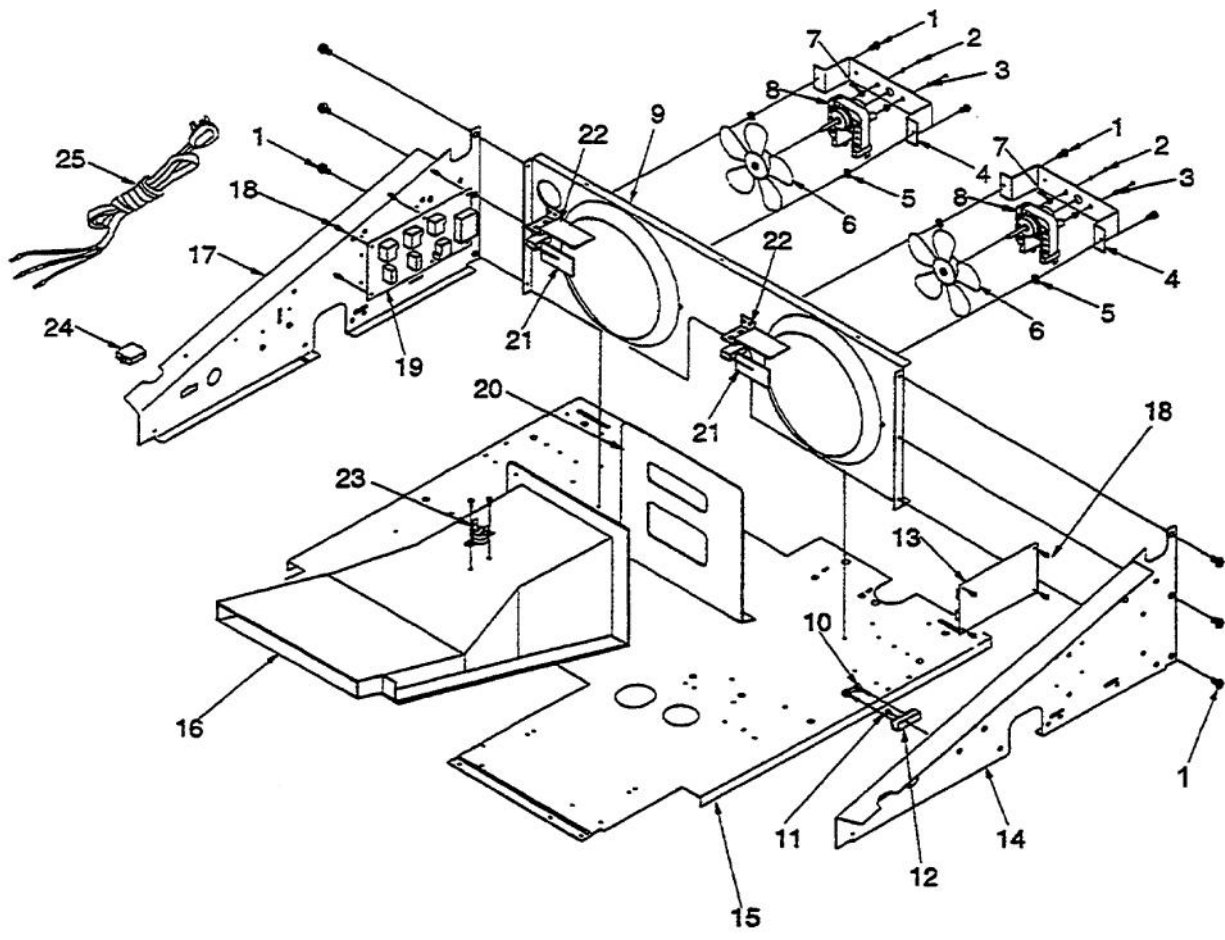
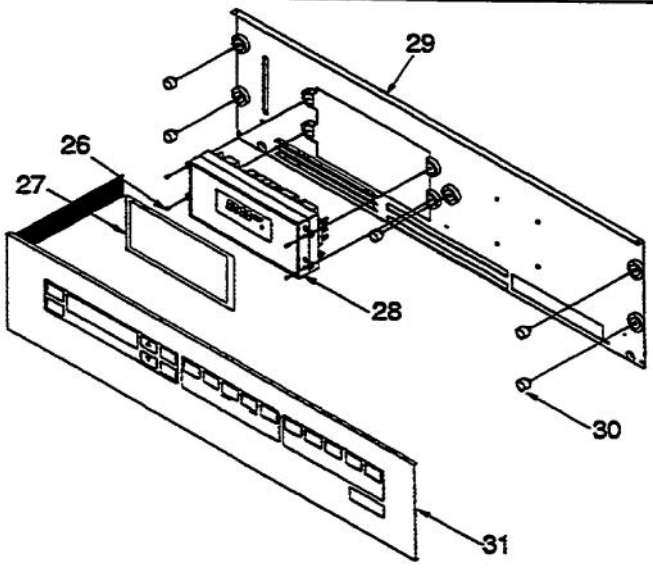
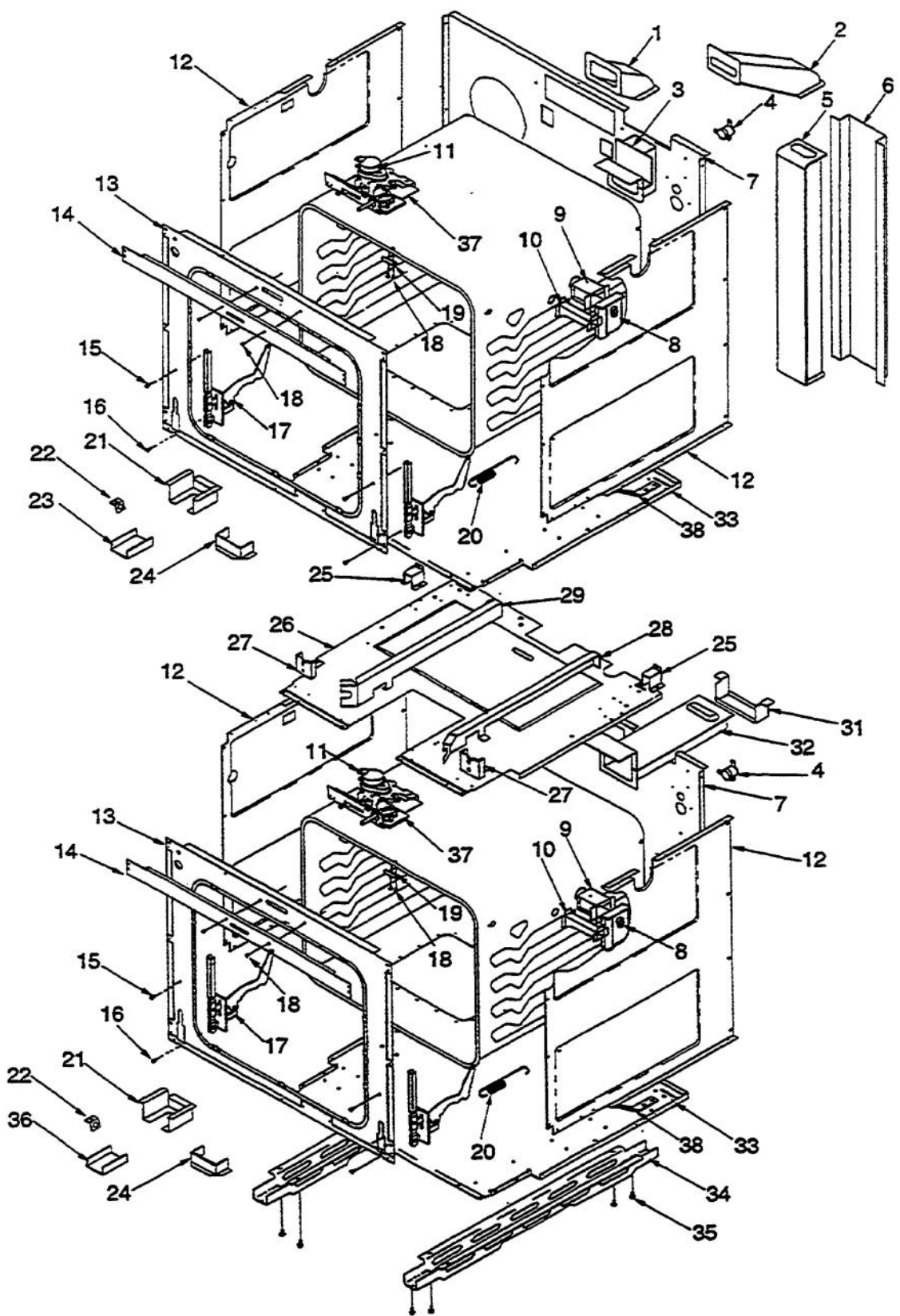


Image 1

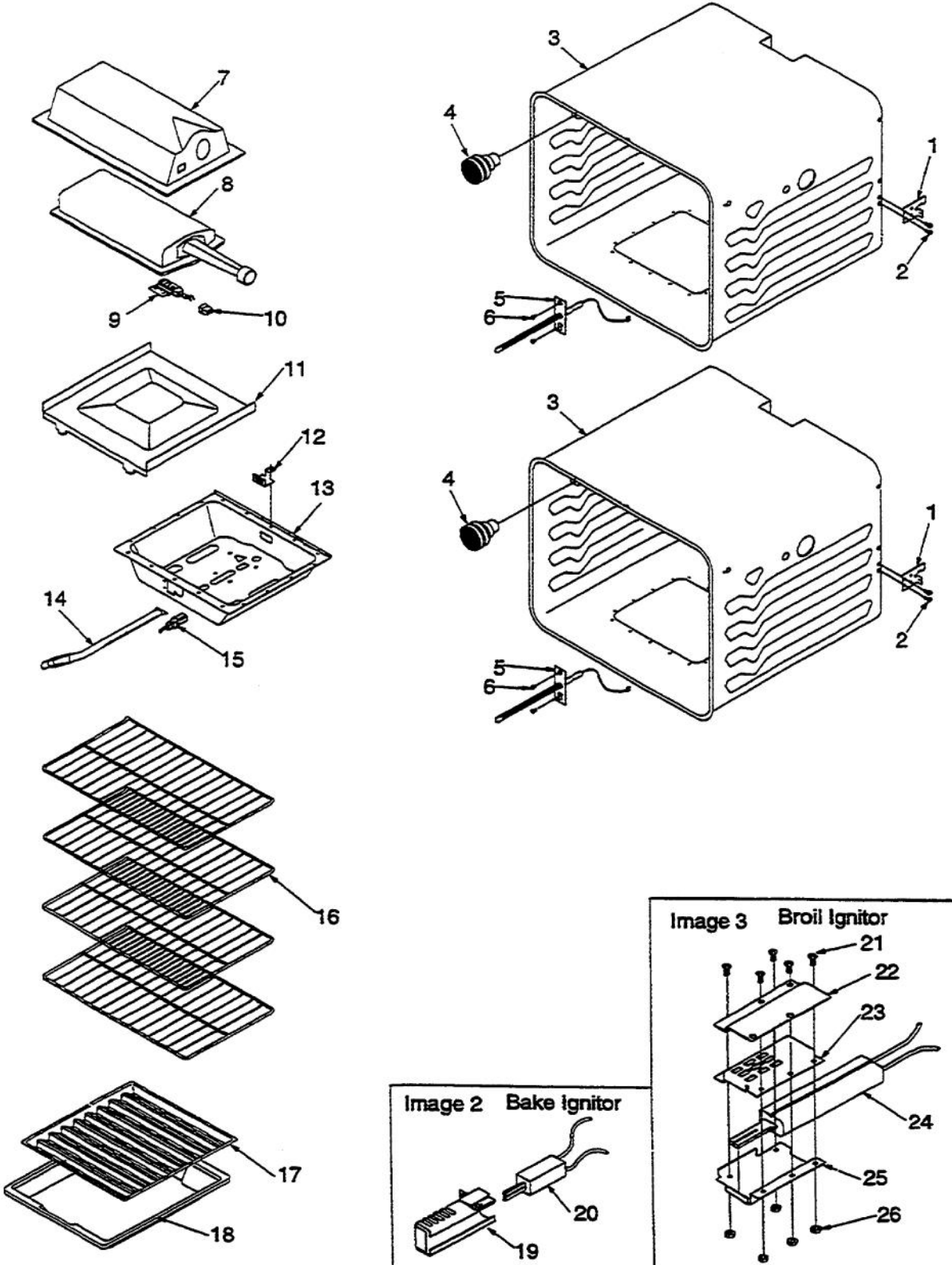
Image 2



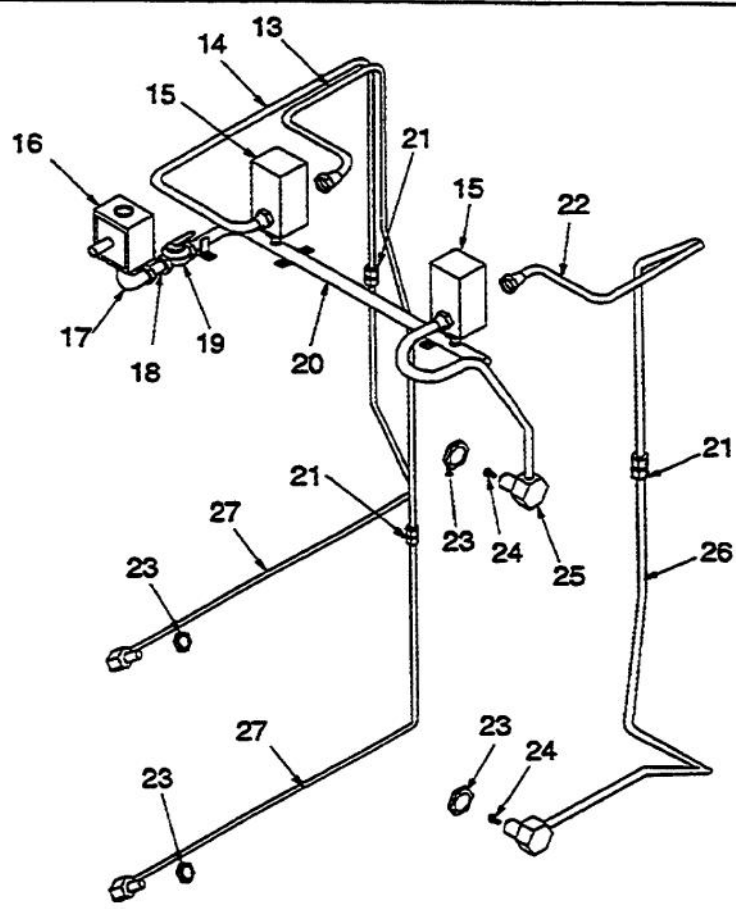
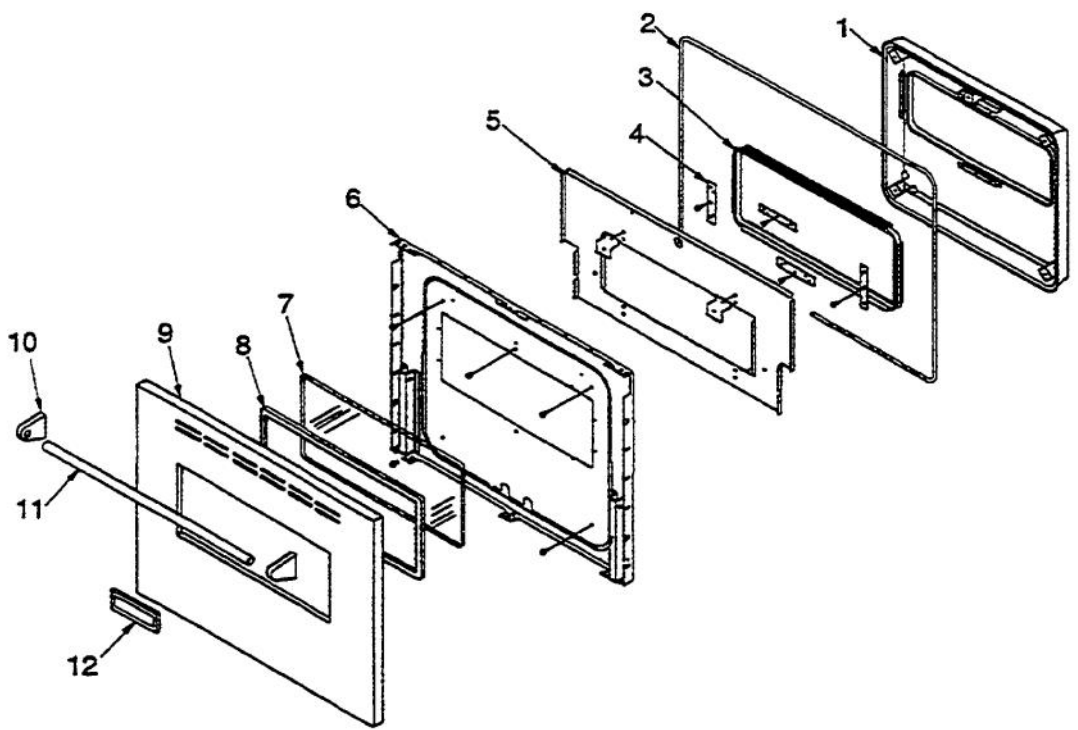
Ref #	Part Number	Qty.	Description
1	PE120041		SCREW 8-18X3/8 HEX SERR/AB 31750432
2	PE120034		NUT HEX KEPS 6-32 31750119
3	PE120031		WASHER STEEL .156ID/.437OD 31750015
4	PE100027		BRACKET FAN MOTOR 0305242
5	PE120030		WASHER RUBR .250ID/.625OD 31750005
6	PE110031		BLADE FAN Y0314548
7	PE120051		GOMMET FAN 0305243
8	PE110024		MOTOR FAN Y0042226
9	PG110007		CONTROL COMPARTMENT BACK 0060841
10	PE110023		RESISTOR FAN MOTOR(100 OHMS)0042064
11	PE120040		SCREW 8-18 X 5/8 31750412
12	PE110021		BLOCK TERMINAL 0042191
13	PE110048		RELAY MODULE 0314523
14	PE130073		CONTROL COMPARTMENT RH 0314834
15	PG110028		TOP OVEN UPPER OVEN 0060829
16	PE130062		FLUE CONTROL PANEL W/A 31824201
17	PE130072		CONTROL COMPARTMENT LH 0314835
18	PE120041		SCREW 8-18X3/8 HEX SERR/AB 31750432
19	PE110050		RELAY MODULE TRANS Y0309305
20	PG100016		BRACKET FLUE SUPPORT 0060824
21	PG120030		SAIL SWITCH
22	PE100042		BRACKET AUX SAIL SWITCH 0052814
23	PE110047		CONTROL LIMIT 31833001
24	PE110045		RECEPTACLE MOLEX 3 CIRCUIT 31748901
25	PG120033		CORD SUPPLY 0054865
NI	PE140007		INSULATOR ESM DOOR LOCK ASY 0091523
NI	PE120055		SLEEVE FLEXIBLE 0051941
26	PE120036		SCREW NO.6-32 X .375 PLAIN 31750308
27	PE140013		SEAL ERC VEDO273/VGDO271 31846301
28	PE110053		CLOCK ERC DOUBLE OVEN 31799201
29	PE100048		CONTROL PANEL MOUNTING BRACKET
30	PE120053		BUMPER RUBBER 500 0314643
31	PE110039		VIK MEMBR SWITCH ASSY M1 31844101B
	PE110040		VIK MEMBR SWITCH ASSY M2 31844102W
	PE110044		CONTROL PANEL ASSY - SS



Ref #	Part Number	Qty.	Description
1	PG110010		FLUE W/A UPPER OVEN 0060799
2	PG110011		FLUE W/A LOWER OVEN 0060805
3	PG110013		FLUE W/A VERT UPPER OVEN 0060802
4	PE110015		SWITCH FAN SPDT Y0042056
5	PG110012		FLUE VERTICAL LOWER OVEN 0060808
6	PG120022		RETAINER INSULATION 0054295
7	PE130007		RETAINER INSULATION REAR 0305420
8	PG110019		AIR DUCT VERTICAL W/A 0060819
9	PE130039		AIR DUCT VENTURI TOP 0060821
10	PG110020		WIRE PROTECTOR W/A 0060787
11	PE110035		ASM AUTO LATCH AND SWITCH NO LONGER AVAILABLE
12	PE140011		RETIENER INSULATION SIDE 0316868
13	Not Replaceable		MAIN FRONT
14	PE100055		CHIP COVER 31797201
15	PE120044		SCREW NO.10X.312 TR-3 PAN HD 31750521
16	PE120042		SCREW 10-12 X .500 31750507
17	PE120049		HINGE ASSY 0301927
18	PE120046		SCREW AB 8-18 X .406-.344 31750701
19	PE100053		CHIP COVER 0315022
20	NLA		SPRING, OVEN DOOR - PE120004
21	PG120014		SHIELD BAKE ORIFICE 0060814
22	PG100015		BRACKET BAKE ORIFICE 0060846
23	PG120013		CHANNEL AIR-UPPER BAKE 0054274
24	PG120012		RETAINER ORIFICE INSULATION 0060823
25	PE100051		REAR SUPPORT - OVEN
26	PG110027		OVEN TOP LOWER OVEN 0060837
27	PE100020		SUPPORT OVEN FRONT 0060838 - NLA
28	PG110024		CHANNEL AIR RIGHT 0060835
29	PG110025		CHANNEL AIR LEFT 0060834
30	PG110023		OVEN BOTTOM W/A UPPER 0059593
31	PG110016		RETAINER INSULATION FLUE 0060784
32	PG110015		FLUE HORIZONTAL W/A 0060811
33	PE130056		OVEN BOTTOM LOWER 0316878
34	PG100018		RUNNER BASE 0060849
35	PE120041		SCREW 8-18X3/8 HEX SERR/AB 31750432
36	PG120016		CHANNEL AIR-LOWER BAKE 0054275
37	PE100057		BRACKET LATCH MTG 31848301
38	PE130014		RETAINER SPRING 0060759
NI	PE120038		SCREW 8-18X1.25 BLACK 31750408
NI	PE120048		WIRE NUT PORCELAIN NO.1 Y0065084



Ref #	Part Number	Qty.	Description
1	PG100013		BRACKET OVEN MOUNTING 0041017
2	PE120041		SCREW 8-18X3/8 HEX SERR/AB 31750432
3	PE130061		OVEN SHELL ENAMELED 31813801CG
4	PE110037		LIGHT ASSY OVEN 74011278
5	PE110055		SENSOR HERAEUS Y0314907
6	PE120046		SCREW AB 8-18 X .406-.344 31750701
7	PG120006		CHAMBER BROIL BURNER 0059415
8	PG130012		BROIL BURNER ASSEMBLY
9	PG130019		BROIL IGNITOR ASSEMBLY
10	PE120056		PLUG IGNITOR WIRES 0059417
11	PE130059		OVEN BOTTOM ASSY 315521CG
12	PG100020		BRACKET MTG OVEN BURNER 0060766
13	PE130054		BURNER BOX LOWER 0315387
14	PE110046		BAKE BURNER WALL OVEN 31761901
15	PE130053		IGNITOR ASSY 31939701(DOES NOT INCLUDE 007918-000 B...
16	PE120064		OVEN RACK
17	PE100045		GRID BROILER 304451CG
18	PE100030		BROILER PAN 314175C6
19	PE100044		BRACKET BAKE IGNITOR W/A 0063757
20	PE130053		IGNITOR ASSY 31939701(DOES NOT INCLUDE 007918-000 B...
21	PE120036		SCREW NO.6-32 X .375 PLAIN 31750308
22	PE100043		BRACKET IGNITOR MOUNTING 0060826
23	PE130066		SHIELD IGNITOR TOP 0063781
24	PE130053		IGNITOR ASSY 31939701(DOES NOT INCLUDE 007918-000 B...
25	PE130067		SHIELD IGNITOR BOTTOM 0308104
26	PE120032		NUT STANDARD HEX .562 31750113
NI	007918-000		IGNITOR BRACKET - 31957101



Ref #	Part Number	Qty.	Description
NI	PE130033AL		COMPLETE UPPER DOOR ASSY. - AL
	PE130033BK		COMPLETE UPPER DOOR ASSY. - BK
	PE130033BU		COMPLETE UPPER DOOR ASSY. - BU
	PE130033FG		COMPLETE UPPER DOOR ASSY. - FG
	PE130033PL		COMPLETE UPPER DOOR ASSY. - PL
	PE130033SS		COMPLETE UPPER DOOR ASSY. - SS
	PE130033VB		COMPLETE UPPER DOOR ASSY. - VB
	PE130033WH		COMPLETE UPPER DOOR ASSY. - WH
NI	PE130034AL		COMPLETE LOWER DOOR ASSY. - AL
	PE130034BK		LOWER DOOR ASSEMBLY - COMPLETE
	PE130034BU		COMPLETE LOWER DOOR ASSY. - BU
	PE130034FG		COMPLETE LOWER DOOR ASSY. - FG
	PE130034PL		COMPLETE LOWER DOOR ASSY. - PL
	PE130034SS		COMPLETE LOWER DOOR ASSY. - SS
	PE130034VB		COMPLETE LOWER DOOR ASSY. - VB
	PE130034WH		LOWER DOOR ASSEMBLY - COMPLETE
1	PE130044		PAD DOOR LINER 40223CG
2	PE140008		GASKET DOOR 76 31715903
3	PE140003		WINDOW ASSEMBLY
4	PE130025		RETAINER DOOR GLASS 0052629
5	PE130032		BAFFLE INNER DOOR 301896G
6	PE130065		OVEN DOOR LINER
7	PE140002		GLASS WINDOW 0301912
8	PE100026		TRIM J MOLD XSS 0302082
	PE060028		TRIM J MOLD XBR 306584B
9	PE100024BK		PANEL DOOR LOWER XBK 306584B
	PE100024SS		PANEL DOOR LOWER XSS 0304629
	PE100024WH		PANEL DOOR LOWER XWH 306584W
	C9002325AL		DOOR PANEL-LOWER XALX (VEDO/VGDO)
	C9002325BU		DOOR PANEL-LOWER XBUX (VEDO/VGDO)
	C9002325FG		DOOR PANEL-LOWER XFGX (VEDO/VGDO)
	C9002325VB		DOOR PANEL-LOWER XVBX (VEDO/VGDO)
	PE100025BK		UPPER DOOR PANEL - BK
	PE100025SS		UPPER DOOR PANEL - SS
	PE100025WH		UPPER DOOR PANEL - WH
	C9002324AL		DOOR PANEL-UPPER XALX (VEDO/VGDO)
	C9002324BU		DOOR PANEL-UPPER XBUX (VEDO/VGDO)
	C9002324FG		DOOR PANEL-UPPER XFGX (VEDO/VGDO)
	C9002324VB		DOOR PANEL-UPPER XVBX (VEDO/VGDO)
10	PE030001		BRACKET, DOOR, HANDLE
	PE030001PVD		END CAP DOOR HANDLE XBR
11	F0002576SS		HANDLE OVEN DOOR XSS (24.625 LENGTH)
	F0002576BR		HANDLE OVEN DOOR XBR 0301898
12	PE010016		NAMEPLATE, LOGO, PRO
	PE010017		LOGO (VGSO,VEDO,VGDO,VUD) XWH/CHR
	PE010079		4.5 LOGO/VIKING PROF, BK/BR
	PE010080		4.5 LOGO/VIKING PROF XWH/BR
13	PG130004		TUBING LWR UNION TO VALVE 0304098
14	PE120060		TUBING UPPER BAKE 31801901
15	PG130005		VALVE DUAL THERMAL (Y0060750)
16	PG130001		REGULATOR 5/10 SIDE INLET 0063684
17	PG130010		PIPE ELBOW 1/2X90 DEGREE 0097408
18	PG130009		NIPPLE PIPE BLACK 1/2 0097320
19	PE110049		VALVE SHUT-OFF 0314271
20	PG130006		MANIFOLD PIPE ASSY 0060751
21	PE120050		UNION STRAIGHT 3/8X3/8 0304566
22	PG130007		TUBING LWR UNION TO VALVE 0304097
23	PE120033		NUT PAL 3/4-16 31750116
24	PE120063		ORIFICE SPUD NO.52 NAT 31864801
	PE120054		ORIFICE SPUD NO.59 LP 31865001

Ref #	Part Number	Qty.	Description
	PE120054		ORIFICE SPUD NO.59 LP 31865001
25	PG130011		TUBE UPPER BROIL TO VALVE 0054839
26	PG130017		TUBE LOWER BURNER TO UNION 0054837
27	PG130015		TUBE/HOOD UPPER BAKE 0054834