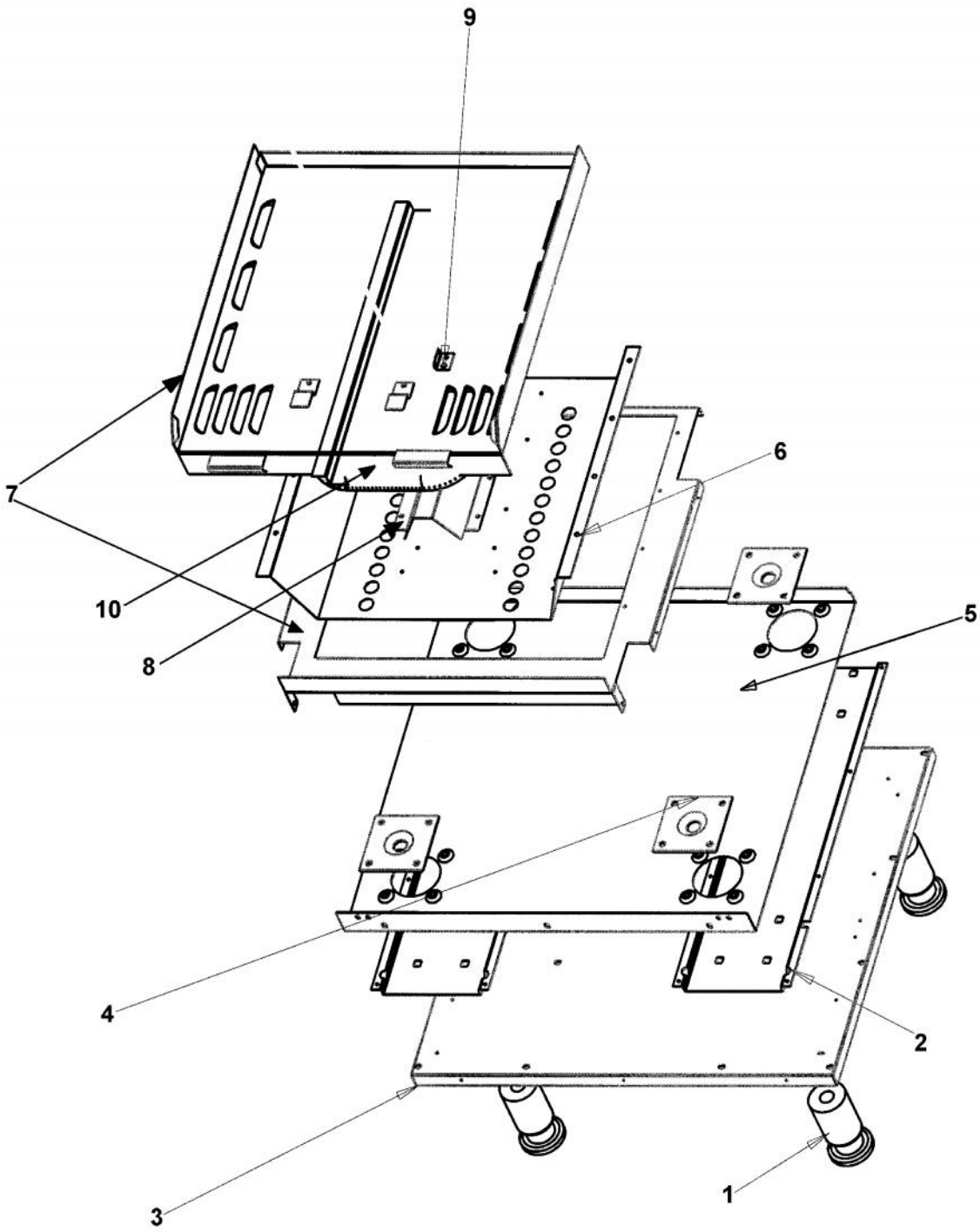
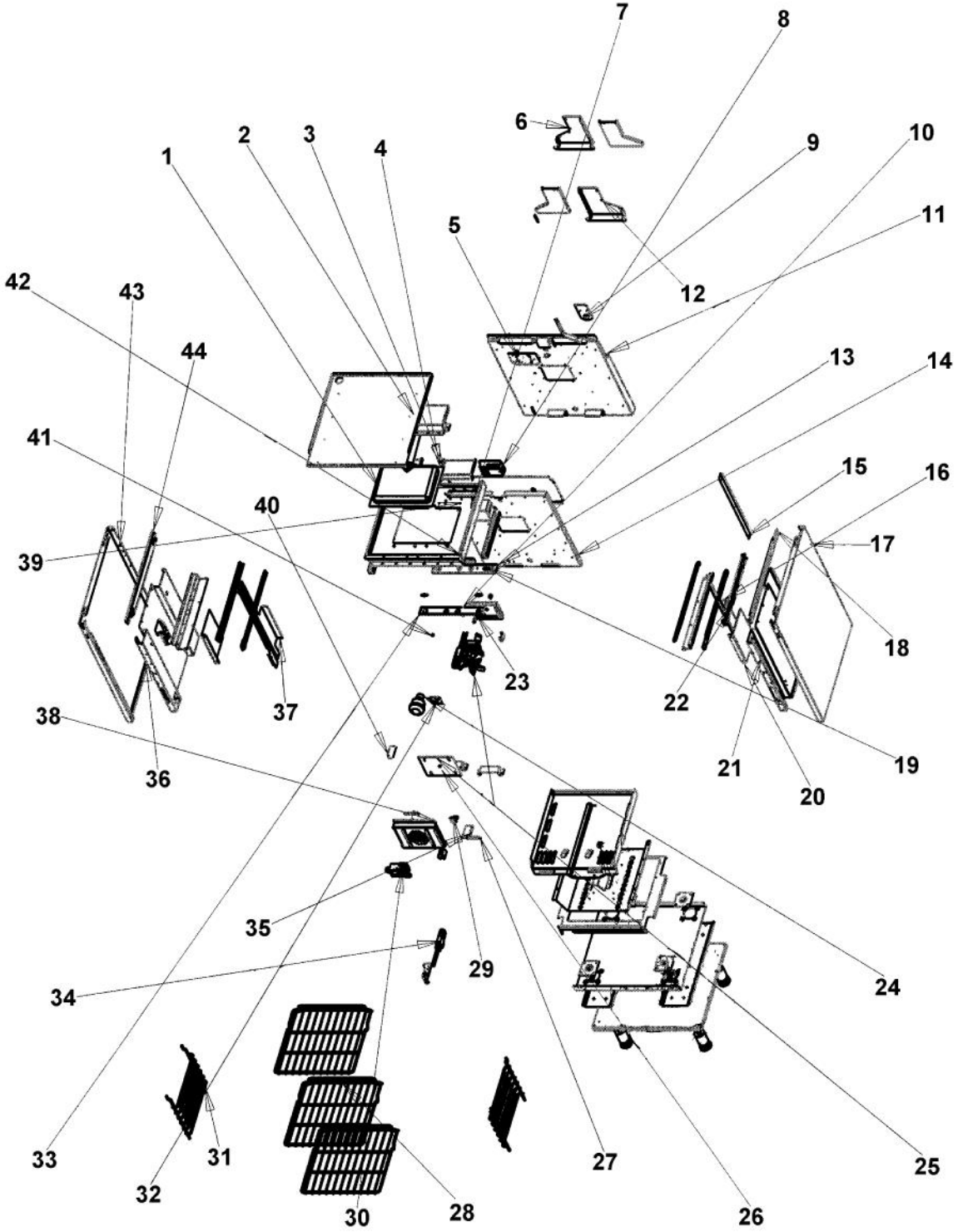


Ref #	Part Number	Qty.	Description
1	PB010099		T/STAT B/B KNOB BK REPL PB010039BKX
	PB010100		THERMOSTAT BAKE/BROIL KNOB XWHX N/S
2	PE050016		OVEN LIGHT SWITCH - XBKX (WES-GAR)
	PE050017		OVEN LIGHT SWITCH - XWHX (WES-GAR)
3	PB010206		VGSC, VGRC, VGRT TOP BURNER KNOB(BK)
	PB010207		VGSC, VGRC, VGRT TOP BURNER KNOB(WH)
4	PB010208		BEZEL, CHROME PLATE
	PB010209		BEZEL BRASS
5	PE050024		OVEN IND. LIGHT (LIGHT HOUSING)
	PE050023		OVEN IND. LIGHT (LENS & BEZEL)
6	PE010081		CONVECTION-LABEL/PLATE (CHROME)
	PE010082		CONVECTION-LABEL/PLATE (XBRX)
7	B9207673		CONTROL PANEL, VGIC2454B
8	G3002719		LANDING LEDGE ASSY (VCCGG4)
9	A2007921		FRONT BURNER SUPPORT, VGIC245
10	B3002708		DRIP TRAY (VCCGG4)
11	A2001112		BURNER SUPT (VGRT)
12	PA080036		TOP BURNER REAR REPL PA080008
13	PA080037		TOP BURNER FRONT REPL PA080007
No.	PA020028		SPARK IGNITER
14	G50013584AL		GRATE SUPPORT ASSEMBLY - AL
	G50013584BK		GRATE SUPPORT SERVICE KIT (BK)
	G50013584BT		GRATE SUPPORT SERVICE KIT (BT) - NLA
	G50013584CB		GRATE SUPPORT ASSEMBLY - CB
	G50013584EP		GRATE SUPPORT ASSEMBLY - EP
	G50013584FG		GRATE SUPPORT ASSEMBLY - FG
	G50013584GG		GRATE SUPPORT ASSEMBLY - GG
	G50013584LE		GRATE SUPPORT ASSEMBLY - LE
	G50013584MJ		GRATE SUPPORT ASSEMBLY - MJ
	G50013584SG		GRATE SUPPORT ASSEMBLY - SG
	G50013584VB		GRATE SUPPORT ASSEMBLY - VB
	G50013584WH		GRATE SUPPORT SERVICE KIT (WH)
15	PA080015		BURNER CAP-VGRT XBKX
	PA080016		BURNER CAP-VGRT (GRAY-MATT)
16	PA060037		GRATE BK REPL PA060024 (GEN.NO.2)
	PA060038		GRAY GRATES
17	PA030002AL		BURNER BOWL - AL
	PA030002BK		BURNER BOWL (VGRT) XXBKXX
	PA030002BT		BURNER BOWL - BT
	PA030002CB		BURNER BOWL - CB
	PA030002EP		BURNER BOWL - EP
	PA030002FG		BURNER BOWL - FG
	PA030002GG		BURNER BOWL - GG
	PA030002LE		BURNER BOWL - LE
	PA030002MJ		BURNER BOWL (VGRT) XXMJXX
	PA030002SG		BURNER BOWL - SG
	PA030002VB		BURNER BOWL (VGRT) XXVBXX
	PA030002WH		BURNER BOWL (VGRT) XXWHXX
18	PA050112		UNIVERSAL 24 MANIFOLD
19	PA070001		PRESSURE REGULATOR (NAT.)
20	G50012678		TOP BURNER VALVE KIT (BRASS VALVE REPLACEMENT)
	PA010157		SUB TO 003515-000 - RANGE TOP BURNER VALVE
21	A2007672		REAR BURNER SUPPORT, VGIC245
22	A2007676		BURNER BOX BOTTOM
23	A2001912		BURNER BOX SIDE LH
24	A2001911		BURNER BOX SIDE RH
25	PB010084		DUAL THERMAL BI-MTL GAS CTRL VALVE
26	PB030002		SUB TO 003862-000 - SHUTOFF VALVE
	PB030007		SHUT OFF VALVE
27	PB010036		THERMOSTAT BAKE/BROIL

Ref #	Part Number	Qty.	Description
27	PB010036		THERMOSTAT BAKE/BROIL
28	G30010694		DRIP TRAY HANDLE ASSY 24 XSSX
	G93011457PVD		DRIP TRAY HANDLE ASSY 24 PVD
No.	PE070070		DISCONNECT BLOCK XALX 770020-1
No.	PE070071		DISCONNECT BLOCK XALX 770027-1
No.	PE070128		SUPPLY CORD (VGRT/SC/SS/RC)
No.	PA020015		SPARK IGNITION SWITCH
	PA020045		IGNITOR SWITCH
No.	PA020029		SWITCH SPACER
29	B3002708		DRIP TRAY (VCCGG4)
30	PK000007		DRIP TRAY GUIDE - LH (VGRT)
31	PK000008		DRIP TRAY GUIDE - RH
32	PK000010		RUNNER, DRIP TRAY - RH (VGRT)
33	PK000009		RUNNER, DRIP TRAY - LH (VGRT)

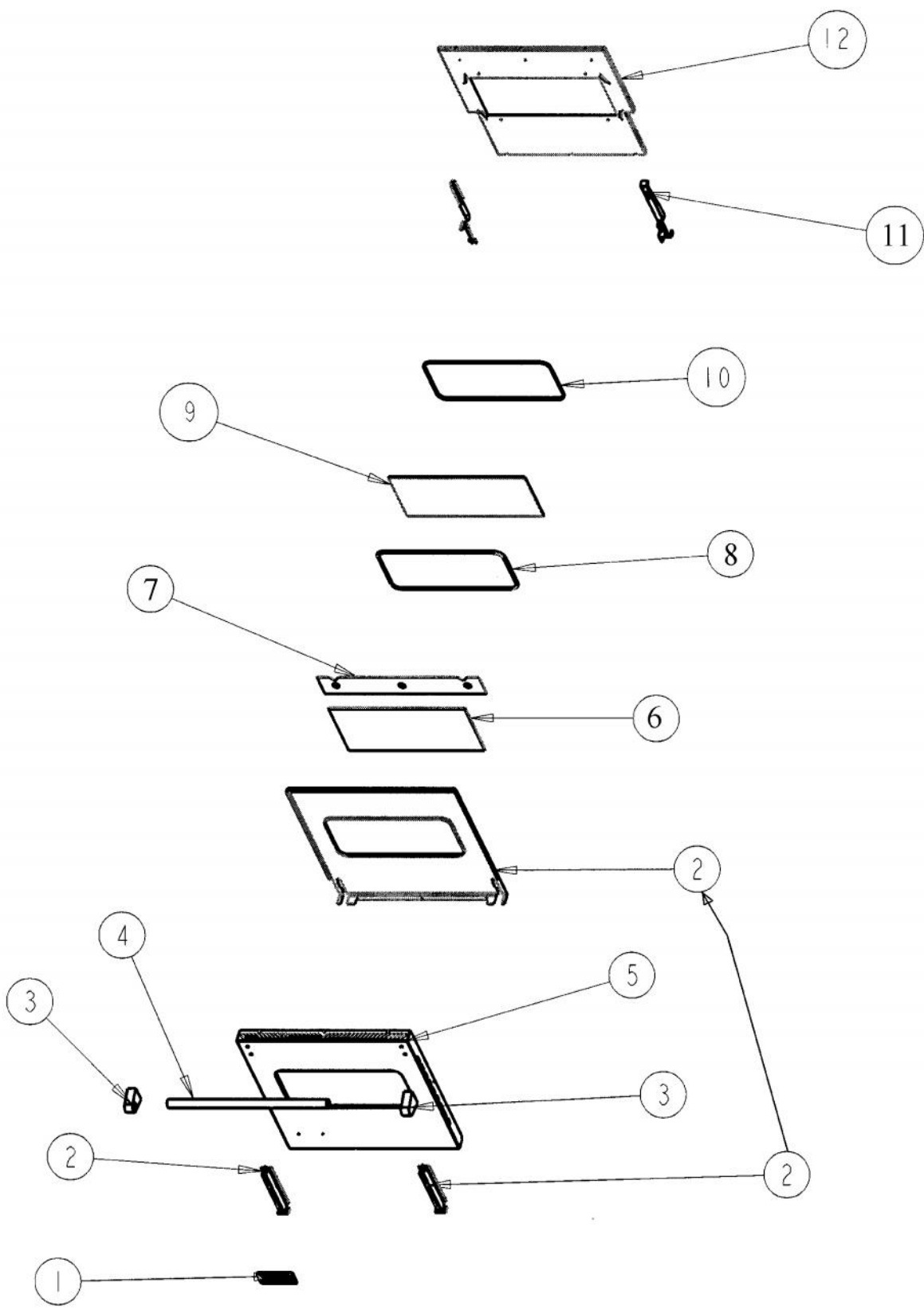


Ref #	Part Number	Qty.	Description
1	PC030017		4 LEG ASSY
2	A2001351		LEG BRACE (VGSC/VGSS) 30
3	A2007666		INSULATION RETAINER
4	PC030007		LEG PLATE - 3/4 THREADED HOLE
5	A2007665		MAIN BOTTOM
6	A2007668		AIR PLATE
7	G9107670		OVEN BOTTOM ASSY., VGIC245
8	A2004424		BURNER COVER (VGSC306)
9	A2001300		GRIDDLE IGNITOR BRKT
10	PB050059		BAKE BURNER - NATURAL GAS
No.	B2007987		LOWER ACCESS PANEL, VGIC245
	C9007987AL		LOWER ACCESS PANEL - AL
	C9007987BK		LOWER ACCESS PANEL, VGIC245 XBKX
	C9007987BT		LOWER ACCESS PANEL - BT
	C9007987BU		LOWER ACCESS PANEL - BU
	C9007987CB		LOWER ACCESS PANEL, VGIC245 XCBX
	C9007987EP		LOWER ACCESS PANEL - EP
	C9007987FG		LOWER ACCESS PANEL - FG
	C9007987GG		LOWER ACCESS PANEL - GG
	C9007987LE		LOWER ACCESS PANEL, VGIC245 XLEX
	C9007987MJ		LOWER ACCESS PANEL - MJ
	C9007987SG		LOWER ACCESS PANEL - SG
	C9007987VB		LOWER ACCESS PANEL, VGIC245 XVBX
	C9007987WH		LOWER ACCESS PANEL, VGIC245 XWHX



Ref #	Part Number	Qty.	Description
1	G3001876		IR BURNER ASSY (VGSC/RC) N/S
No.	PB040017		IR BURNER ORIFICE NAT.(15,000 BTU)
No.	PB040018		IR BURNER ORIFICE SPUD LP (12,500 BTU)
2	A2001414		FLUE BOX TOP (VGSC/SS) 30
3	A2001415		FLUE BOX BTM (VGSC/SS)
4	A2006398		ORIFICE HOLDER BRACKET
5	A2003431		SNAP-ON MODULE BRKT
6	A2004857		FLUE FRONT LH (VGSC/SS)
7	A2001620		SPARK MODULE COVER (VGRC)
8	PA020047		INVENSYS 0+4 RE-IGNITION SPARK MODULE
9	A1001146		PLUG BRACKET
10	A2001361		BACK SPACER (VGSC/VGSS)
11	A2007669		OUTSIDE BACK PANEL, VGIC245
12	A2004856		FLUE FRONT RH (VGSC/SS)
13	B2002261		I/R BURNER SUPPORT - REAR
14	E9107660		OVEN BACK LINER
15	A2003495		O/S BACK BRACE (VGIS480)
16	E9101366		LINER EXTENSION RH (VGSC/VGSS)
17	B2002597		O/S BODY PANEL - RH (SS)
	C9002597AL		O/S BODY PANEL-RH XALX (VDSC)
	C9002597BK		BODY PNL RH BK REPL C9001921BK
	C9002597BT		O/S BODY PANEL-RH XBTX (VDSC)
	C9002597BU		BODY PNL RH BU REPL C9001921BU
	C9002597CB		O/S BODY PANEL-RH XCBX (VDSC)
	C9002597EP		O/S BODY PANEL-RH XEPX (VDSC)
	C9002597FG		BODY PNL RH FG REPL C9001921FG
	C9002597GG		BODY PNL RH GG REPL C9001921GG
	C9002597LE		O/S BODY PANEL-RH XLEX (VDSC)
	C9002597MJ		O/S BODY PANEL-RH XMJX (VDSC)
	C9002597SG		O/S BODY PANEL-RH XSGX (VDSC)
	C9002597VB		BODY PNL RH VB REPL C9001921VB
	C9002597WH		BODY PNL RH WH REPL C9001921WH
18	B2008455		SIDE TRIM RH, VGIC245
19	PA020014		SPARK IGNITER
20	J2002593		OVEN SIDE HEAT SINK
21	E9108444		OVEN SIDE LINER RH-VGIC
22	A2000210		WIRE CHANNEL
23	A2001450		IGNITER BURNER SUPT BRKT
24	PE050009		OVEN LIGHT SOCKET - 36 BUILT-IN
25	PE050057		CONVECTION FAN (VGSC306)
26	A2001359		REAR AIR PLATE BRKT (VGSC/VGSS)
27	A2000803		OVEN BTM SUPT - 36 B-IN
28	PB060080		OVEN RACK VGIC 24 INCH
29	A2007978		BAKE ORIFICE BRACKET, VGIC245
30	PB010084		DUAL THERMAL BI-MTL GAS CTRL VALVE
31	PB060030		RACK SUPT REPL PB060010
32	A1006399		ORIFICE HOLDER BRACKET PLATE
33	B2001448		IR BROIL SUPT (FRONT)
34	PB040001		IGNITOR - (ALL RANGES)
35	A2008456		HINGE POCKET COVER,VGIC RH
36	E9108445		OVEN SIDE LINER LH-VGIC
37	E9101367		LINER EXTENSION LH (VGSC/VGSS)
38	E9107988		CONVECTION FAN COVER
39	A2007675		REAR COVER
40	A2008457		HINGE POCKET COVER,VGIC LH
41	PE050023		OVEN IND. LIGHT (LENS & BEZEL)
42	G9107664		OVEN TOP LINER ASSEMBLY
43	B2002598		O/S BODY PANEL LH (SS)
	C9002598AL		BODY PNL LH 30`REPL C9001922AL
	C9002598BK		BODY PNL LH 30`REPL C9001922BK

Ref #	Part Number	Qty.	Description
	C9002598BK		BODY PNL LH 30`REPL C9001922BK
	C9002598BT		O/S BODY PANEL-LH XBTX (VDSC)
	C9002598BU		BODY PNL LH 30`REPL C9001922BU
	C9002598CB		O/S BODY PANEL-LH XCBX (VDSC)
	C9002598EP		O/S BODY PANEL-LH XEPX (VDSC)
	C9002598FG		BODY PNL LH 30`REPL C9001922FG
	C9002598GG		BODY PNL LH 30`REPL C9001922GG
	C9002598LE		O/S BODY PANEL-LH XLEX (VDSC)
	C9002598MJ		O/S BODY PANEL-LH XMJX (VDSC)
	C9002598SG		O/S BODY PANEL-LH XSGX (VDSC)
	C9002598VB		BODY PNL LH 30`REPL C9001922VB
	C9002598WH		BODY PNL LH 30`REPL C9001922WH
44	B2008454		SIDE TRIM LH, VGIC245
No.	PB040172		3/8 X 3/8 ORIFICE FITTING
No.	PB040050		3/8CC MALE COMP. FITTING W/FERRULE
No.	PB070031		OVEN DR GASKET RH (VGRC48)
No.	PB020113		3/8 SS FLEX TUBING - 52 T6-52
No.	PB020116		TUBING - 10 FLEXIBLE 12 & 24
No.	PB020127		3/8`` S.S. FLEX TUBING 20`` (DGCU)
No.	A2001259		ANTI-TIP DEVICE
No.	003226-000		FJT VALVE - NO NUT/FERRELL



Ref #	Part Number	Qty.	Description
1	PE010016		NAMEPLATE, LOGO, PRO
	PE010079		4.5 LOGO/VIKING PROF, BK/BR
	PE010017		LOGO (VGSO,VEDO,VGDO,VUD) XWH/CHR
	PE010080		4.5 LOGO/VIKING PROF XWH/BR
2	G9107949		OVEN DOOR LINER ASSY., VGIC245
3	PE030001		BRACKET, DOOR, HANDLE
	PE030001PVD		END CAP DOOR HANDLE XBR
4	PE030117		HANDLE VGIC 24 INCH
	PE030117PVD		HANDLE VGIC 24 INCH BRASS
5	B2007925		OUTSIDE DOOR PANEL SS, VGIC245
	C9007925AL		O/S DOOR PANEL - AL
	C9007925BK		O/S DOOR PANEL VGIC245 XBKX
	C9007925BT		O/S DOOR PANEL - BT
	C9007925BU		O/S DOOR PANEL - BU
	C9007925CB		O/S DOOR PANEL VGIC245 XCBX
	C9007925EP		O/S DOOR PANEL - EP
	C9007925FG		O/S DOOR PANEL - FG
	C9007925GG		O/S DOOR PANEL - GG
	C9007925LE		O/S DOOR PANEL VGIC245 XLEX
	C9007925MJ		O/S DOOR PANEL - MJ
	C9007925SG		O/S DOOR PANEL - SG
	C9007925VB		O/S DOOR PANEL VGIC245 XVBX
	C9007925WH		O/S DOOR PANEL VGIC245 XWHX
6	PE060018		OVEN GLASS-TEMPERED,SCREENEDXBKX
7	A1007947		DOOR HEAT BAFFLE
8	PE060007		J-MOLD (1 RADIUS)
9	PE060008		GLASS REPL PE060009
10	PB070014		DOOR GLASS SEAL STRIP - WINDOW DRS.
11	PC020003		HINGE ASSY (BLUE)
12	A2007948		DOOR INSULATION RETAINER, VGIC245
No.	A2007946		DOOR GLASS BRACKET
No.	PB070145		SUPERWOOL 5 X 24 X 3'
No.	PD020032		SRW-8(A)X3/8PH.WFR HD 7/16DIAXNICL
No.	G3207922AL		COMPLETE DOOR ASSEMBLY - AL
	G3207922ALBR		COMPLETE DOOR ASSEMBLY - ALBR
	G3207922BK		COMPLETE DOOR ASSEMBLY - BK
	G3207922BKBR		COMPLETE DOOR ASSEMBLY - BKBR
	G3207922BT		COMPLETE DOOR ASSEMBLY - BT
	G3207922BTBR		COMPLETE DOOR ASSEMBLY - BTBR
	G3207922BU		COMPLETE DOOR ASSEMBLY - BU
	G3207922BUBR		COMPLETE DOOR ASSEMBLY - BUBR
	G3207922CB		COMPLETE DOOR ASSEMBLY - CB
	G3207922CBBR		COMPLETE DOOR ASSEMBLY - CBBR
	G3207922EP		COMPLETE DOOR ASSEMBLY - EP
	G3207922EPBR		COMPLETE DOOR ASSEMBLY - EPBR
	G3207922FG		COMPLETE DOOR ASSEMBLY - FG
	G3207922FGBR		COMPLETE DOOR ASSEMBLY - FGBR
	G3207922GG		COMPLETE DOOR ASSEMBLY - GG
	G3207922GGBR		COMPLETE DOOR ASSEMBLY - GGBR
	G3207922LE		COMPLETE DOOR ASSEMBLY - LE
	G3207922LEBR		COMPLETE DOOR ASSEMBLY - LEBR
	G3207922MJ		COMPLETE DOOR ASSEMBLY - MJ
	G3207922MJBR		COMPLETE DOOR ASSEMBLY - MJBR
	G3207922SG		COMPLETE DOOR ASSEMBLY - SG
	G3207922SGBR		COMPLETE DOOR ASSEMBLY - SGBR
	G3207922SS		DOOR ASSY XSSX, VGIC245
	G3207922SSBR		COMPLETE DOOR ASSEMBLY - SSBR
	G3207922VB		COMPLETE DOOR ASSEMBLY - VB
	G3207922VBBR		COMPLETE DOOR ASSEMBLY - VBBR
	G3207922WH		COMPLETE DOOR ASSEMBLY - WH

Ref #	Part Number	Qty.	Description
	G3207922WH		COMPLETE DOOR ASSEMBLY - WH
	G3207922WHBR		COMPLETE DOOR ASSEMBLY - WHBR