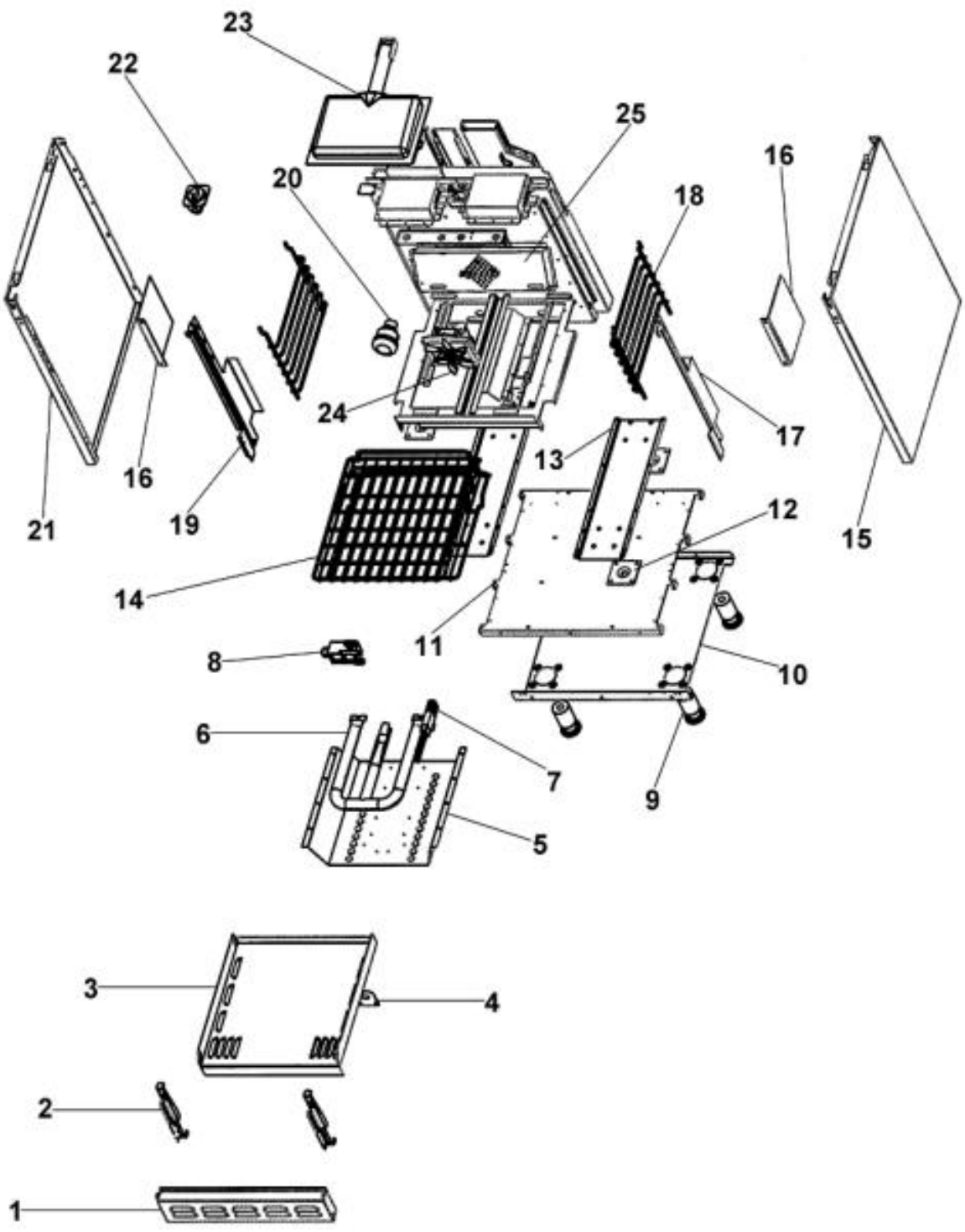
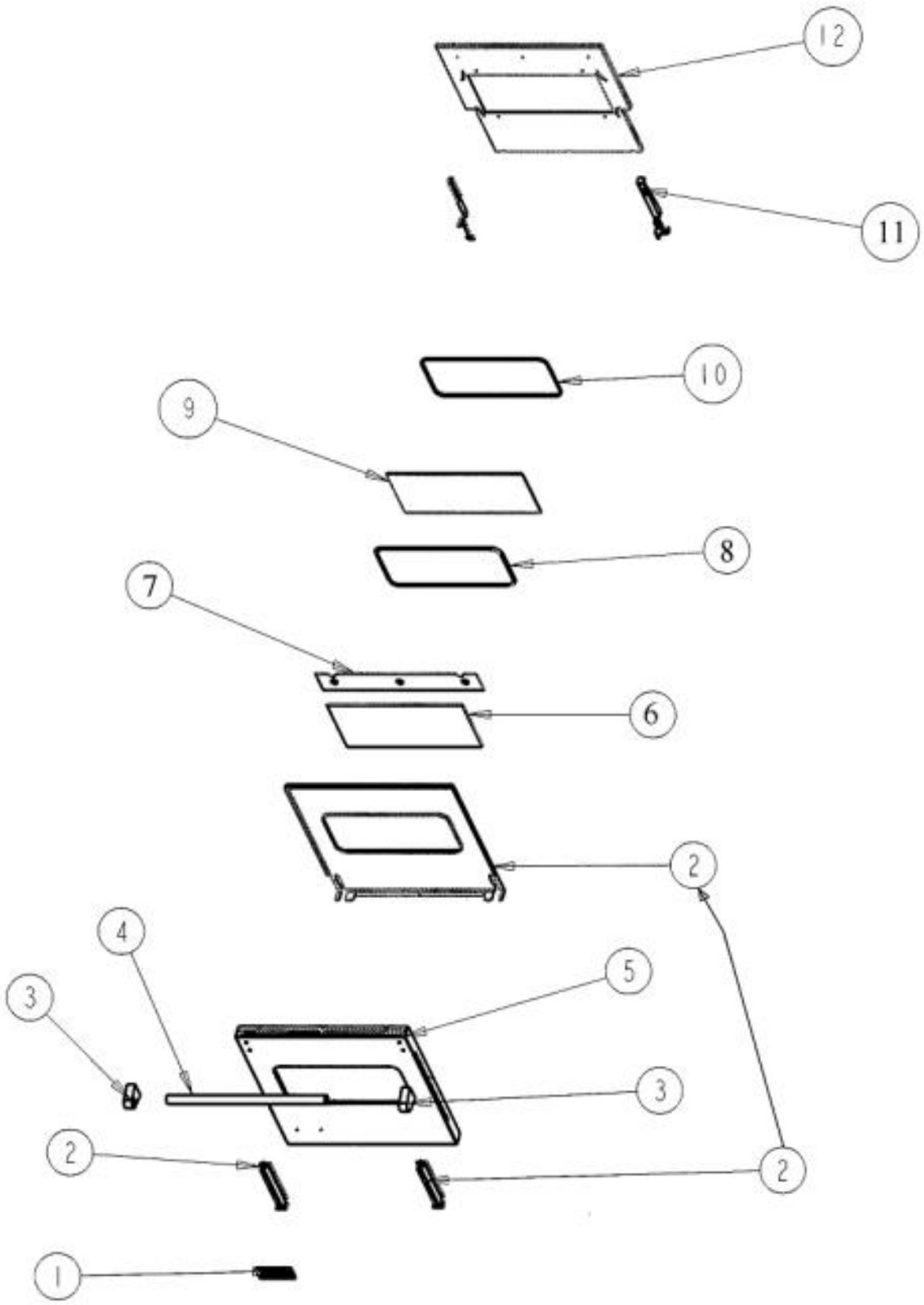


Ref #	Part Number	Qty.	Description
1	PA060080		24 GRILL GRATE XBLACKX
2	E9101130BK		GRILL SMOKE GENERATOR
3	A2009544		SIDE SHIELD, VGIC245Q
4	B2008484		24 GRILL FLAME SHIELD
5	PB050077		GRILL BURNER
6	G9109751AL		GRATE SUPPORT ASSY. - AL
	G9109751BK		GRATE SUPT ASSY, VGIC245Q
	G9109751BT		GRATE SUPPORT ASSY. - BT
	G9109751CB		GRATE SUPPORT ASSY. - CB
	G9109751EP		GRATE SUPPORT ASSY. - EP
	G9109751FG		GRATE SUPPORT ASSY. - FG
	G9109751GG		GRATE SUPPORT ASSY. - GG
	G9109751LE		GRATE SUPPORT ASSY. - LE
	G9109751MJ		GRATE SUPPORT ASSY. - MJ
	G9109751SG		GRATE SUPPORT ASSY. - SG
	G9109751VB		GRATE SUPPORT ASSY. - VB
	G9109751WH		GRATE SUPT ASSY, VGIC245Q (WH)
7	A2007672		REAR BURNER SUPPORT, VGIC245
8	024153-000		TRIM, SIDE, RH
	C9308455BR		SIDE TRIM RH, VGIC245 XBRX
9	A2009750		GRATE SUPT BOTTOM (VGIC245Q)
10	A2001911		BURNER BOX SIDE RH
11	PA020024		RE-IGN. SPARK MODULE 0+2 /CE MODEL
12	PA070001		PRESSURE REGULATOR (NAT.)
13	024152-000		TRIM, SIDE, LH
	C9308454BR		SIDE TRIM LH, VGIC245 XBRX
14	A2001912		BURNER BOX SIDE LH
15	A2009542		FRONT SUPPORT (VGIC245Q)
16	PE050024		OVEN IND. LIGHT (LIGHT HOUSING)
17	A2008481		24 GRILL ORIFICE BRACKET
18	PA010129		SUB TO 003557-000 - TOP BURNER VALVE (VDSC3074B)
19	PB040238		90 DEGREE ORIFICE FITTING, NAT NO.47
20	PB010036		THERMOSTAT BAKE/BROIL
21	PA050112		UNIVERSAL 24 MANIFOLD
22	G3002719		LANDING LEDGE ASSY (VCCGG4)
23	B9209543		CONTROL PANEL - VGIC245Q
24	PB010208		BEZEL, CHROME PLATE
	PB010209		BEZEL BRASS
25	PA010122		VGRC/IC/RT GRILL KNOB (BK)
	PA010123		VGRC/IC/RT GRILL KNOB (WH)
26	PE050016		OVEN LIGHT SWITCH - XBKX (WES-GAR)
	PE050017		OVEN LIGHT SWITCH - XWHX (WES-GAR)
27	B2008483		24 GRILL DRIP COVER
28	PB010099		T/STAT B/B KNOB BK REPL PB010039BKX
	PB010100		THERMOSTAT BAKE/BROIL KNOB XWHX N/S
29	PB040160		WOK IGNITER
30	B2009529		VGIC245G DT FRONT
	G9309533PVD		DRIP TRAY HANDLE ASSY. 24 BRASS
31	B2009527		VGIC245G DRIP TRAY HANDLE BACK
	C9309535PVD		DRIP TRAY HANDLE BACK 24 PVD
32	B3002708		DRIP TRAY (VCCGG4)
33	PK000008		DRIP TRAY GUIDE - RH
34	PK000010		RUNNER, DRIP TRAY - RH (VGRT)
35	PK000009		RUNNER, DRIP TRAY - LH (VGRT)
36	PK000007		DRIP TRAY GUIDE - LH (VGRT)
37	PE050023		OVEN IND. LIGHT (LENS & BEZEL)
38	PE010081		CONVECTION-LABEL/PLATE (CHROME)
	PE010082		CONVECTION-LABEL/PLATE (XBRX)
No.	PA020015		SPARK IGNITION SWITCH



Ref #	Part Number	Qty.	Description
1	B2007987		LOWER ACCESS PANEL, VGIC245
	C9007987AL		LOWER ACCESS PANEL - AL
	C9007987BK		LOWER ACCESS PANEL, VGIC245 XBKX
	C9007987BT		LOWER ACCESS PANEL - BT
	C9007987BU		LOWER ACCESS PANEL - BU
	C9007987CB		LOWER ACCESS PANEL, VGIC245 XCBX
	C9007987EP		LOWER ACCESS PANEL - EP
	C9007987FG		LOWER ACCESS PANEL - FG
	C9007987GG		LOWER ACCESS PANEL - GG
	C9007987LE		LOWER ACCESS PANEL, VGIC245 XLEX
	C9007987MJ		LOWER ACCESS PANEL - MJ
	C9007987SG		LOWER ACCESS PANEL - SG
	C9007987VB		LOWER ACCESS PANEL, VGIC245 XVBX
	C9007987WH		LOWER ACCESS PANEL, VGIC245 XWHX
2	PC020003		HINGE ASSY (BLUE)
No.	PB020113		3/8 SS FLEX TUBING - 52 T6-52
No.	PB020116		TUBING - 10 FLEXIBLE 12 & 24
No.	PB020127		3/8" S.S. FLEX TUBING 20" (DGCU)
No.	PB020136		44 3/8 S.S. FLEX TUBING T6-44
3	G9107670		OVEN BOTTOM ASSY., VGIC245
4	A1008487		SERVICE DISCONNECT BRACKET
5	A2007678		AIR PLATE
6	PB050059		BAKE BURNER - NATURAL GAS
7	PB040001		IGNITOR - (ALL RANGES)
8	PB010084		DUAL THERMAL BI-MTL GAS CTRL VALVE
9	PC030017		4 LEG ASSY
10	A2007665		MAIN BOTTOM
11	A2007666		BOTTOM INSULATION SHIELD
12	PC030007		LEG PLATE - 3/4 THREADED HOLE
13	A2001351		LEG BRACE (VGSC/VGSS) 30
14	PB060080		OVEN RACK VGIC 24 INCH
15	B2002597		O/S BODY PANEL - RH (SS)
	C9002597AL		O/S BODY PANEL-RH XALX (VDSC)
	C9002597BK		BODY PNL RH BK REPL C9001921BK
	C9002597BT		O/S BODY PANEL-RH XBTX (VDSC)
	C9002597BU		BODY PNL RH BU REPL C9001921BU
	C9002597CB		O/S BODY PANEL-RH XCBX (VDSC)
	C9002597EP		O/S BODY PANEL-RH XEPX (VDSC)
	C9002597FG		BODY PNL RH FG REPL C9001921FG
	C9002597GG		BODY PNL RH GG REPL C9001921GG
	C9002597LE		O/S BODY PANEL-RH XLEX (VDSC)
	C9002597MJ		O/S BODY PANEL-RH XMJX (VDSC)
	C9002597SG		O/S BODY PANEL-RH XSGX (VDSC)
	C9002597VB		BODY PNL RH VB REPL C9001921VB
	C9002597WH		BODY PNL RH WH REPL C9001921WH
16	J2002593		OVEN SIDE HEAT SINK
17	E9101366		LINER EXTENSION RH (VGSC/VGSS)
18	PB060030		RACK SUPT REPL PB060010
19	E9101367		LINER EXTENSION LH (VGSC/VGSS)
20	PE050009		OVEN LIGHT SOCKET - 36 BUILT-IN
21	B2002598		O/S BODY PANEL LH (SS)
	C9002598AL		BODY PNL LH 30" REPL C9001922AL
	C9002598BK		BODY PNL LH 30" REPL C9001922BK
	C9002598BT		O/S BODY PANEL-LH XBTX (VDSC)
	C9002598BU		BODY PNL LH 30" REPL C9001922BU
	C9002598CB		O/S BODY PANEL-LH XCBX (VDSC)
	C9002598EP		O/S BODY PANEL-LH XEPX (VDSC)
	C9002598FG		BODY PNL LH 30" REPL C9001922FG
	C9002598GG		BODY PNL LH 30" REPL C9001922GG
	C9002598LE		O/S BODY PANEL-LH XLEX (VDSC)

Ref #	Part Number	Qty.	Description
	C9002598LE		O/S BODY PANEL-LH XLEX (VDSC)
	C9002598MJ		O/S BODY PANEL-LH XMJX (VDSC)
	C9002598SG		O/S BODY PANEL-LH XSGX (VDSC)
	C9002598VB		BODY PNL LH 30`REPL C9001922VB
	C9002598WH		BODY PNL LH 30`REPL C9001922WH
22	PA070001		PRESSURE REGULATOR (NAT.)
23	G3001876		IR BURNER ASSY (VGSC/RC) N/S
No.	PB040018		IR BURNER ORIFICE SPUD LP (12,500 BTU)
No.	PB040017		IR BURNER ORIFICE NAT.(15,000 BTU)
24	PE050005		CONVECTION FAN ASSY
No.	PB020203		1/2 NPT MALE/FEM FLEX TUBE
No.	PB070031		OVEN DR GASKET RH (VGRC48)
25	E9107988		CONVECTION FAN COVER
No.	003226-000	1	FJT VALVE - NO NUT/FERRELL



Ref #	Part Number	Qty.	Description
1	PE010016		NAMEPLATE, LOGO, PRO
	PE010079		4.5 LOGO/VIKING PROF, BK/BR
	PE010017		LOGO (VGSO,VEDO,VGDO,VUD) XWH/CHR
	PE010080		4.5 LOGO/VIKING PROF XWH/BR
2	G9107949		OVEN DOOR LINER ASSY., VGIC245
3	PE030001		BRACKET, DOOR, HANDLE
	PE030001PVD		END CAP DOOR HANDLE XBR
4	PE030117		HANDLE VGIC 24 INCH
	PE030117PVD		HANDLE VGIC 24 INCH BRASS
5	B2007925		OUTSIDE DOOR PANEL SS, VGIC245
	C9007925AL		O/S DOOR PANEL - AL
	C9007925BK		O/S DOOR PANEL VGIC245 XBKX
	C9007925BT		O/S DOOR PANEL - BT
	C9007925BU		O/S DOOR PANEL - BU
	C9007925CB		O/S DOOR PANEL VGIC245 XCBX
	C9007925EP		O/S DOOR PANEL - EP
	C9007925FG		O/S DOOR PANEL - FG
	C9007925GG		O/S DOOR PANEL - GG
	C9007925LE		O/S DOOR PANEL VGIC245 XLEX
	C9007925MJ		O/S DOOR PANEL - MJ
	C9007925SG		O/S DOOR PANEL - SG
	C9007925VB		O/S DOOR PANEL VGIC245 XVBX
	C9007925WH		O/S DOOR PANEL VGIC245 XWHX
6	PE060018		OVEN GLASS-TEMPERED,SCREENEDXBKX
7	A1007947		DOOR HEAT BAFFLE
8	PE060007		J-MOLD (1 RADIUS)
9	PE060008		GLASS REPL PE060009
10	PB070014		DOOR GLASS SEAL STRIP - WINDOW DRS.
11	PC020003		HINGE ASSY (BLUE)
12	A2007948		DOOR INSULATION RETAINER, VGIC245
No.	A2007946		DOOR GLASS BRACKET
No.	PB070145		SUPERWOOL 5 X 24 X 3'
No.	PD020032		SRW-8(A)X3/8PH.WFR HD 7/16DIAXNICL
No.	G3207922AL		COMPLETE DOOR ASSEMBLY - AL
	G3207922ALBR		COMPLETE DOOR ASSEMBLY - ALBR
	G3207922BK		COMPLETE DOOR ASSEMBLY - BK
	G3207922BKBR		COMPLETE DOOR ASSEMBLY - BKBR
	G3207922BT		COMPLETE DOOR ASSEMBLY - BT
	G3207922BTBR		COMPLETE DOOR ASSEMBLY - BTBR
	G3207922BU		COMPLETE DOOR ASSEMBLY - BU
	G3207922BUBR		COMPLETE DOOR ASSEMBLY - BUBR
	G3207922CB		COMPLETE DOOR ASSEMBLY - CB
	G3207922CBBR		COMPLETE DOOR ASSEMBLY - CBBR
	G3207922EP		COMPLETE DOOR ASSEMBLY - EP
	G3207922EPBR		COMPLETE DOOR ASSEMBLY - EPBR
	G3207922FG		COMPLETE DOOR ASSEMBLY - FG
	G3207922FGBR		COMPLETE DOOR ASSEMBLY - FGBR
	G3207922GG		COMPLETE DOOR ASSEMBLY - GG
	G3207922GGBR		COMPLETE DOOR ASSEMBLY - GGBR
	G3207922LE		COMPLETE DOOR ASSEMBLY - LE
	G3207922LEBR		COMPLETE DOOR ASSEMBLY - LEBR
	G3207922MJ		COMPLETE DOOR ASSEMBLY - MJ
	G3207922MJBR		COMPLETE DOOR ASSEMBLY - MJBR
	G3207922SG		COMPLETE DOOR ASSEMBLY - SG
	G3207922SGBR		COMPLETE DOOR ASSEMBLY - SGBR
	G3207922SS		DOOR ASSY XSSX, VGIC245
	G3207922SSBR		COMPLETE DOOR ASSEMBLY - SSBR
	G3207922VB		COMPLETE DOOR ASSEMBLY - VB
	G3207922VBBR		COMPLETE DOOR ASSEMBLY - VBBR
	G3207922WH		COMPLETE DOOR ASSEMBLY - WH

Ref #	Part Number	Qty.	Description
	G3207922WH		COMPLETE DOOR ASSEMBLY - WH
	G3207922WHBR		COMPLETE DOOR ASSEMBLY - WHBR