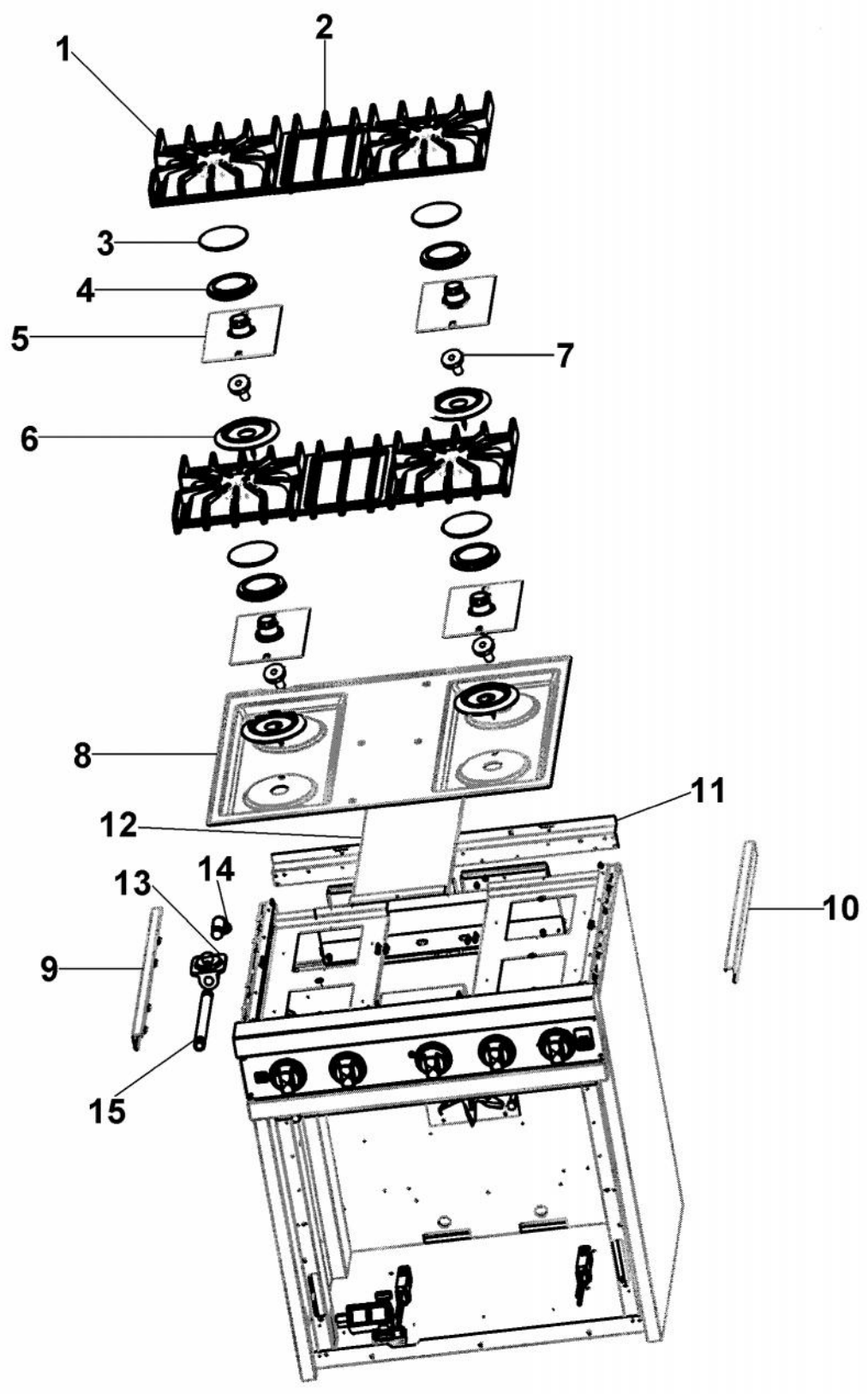
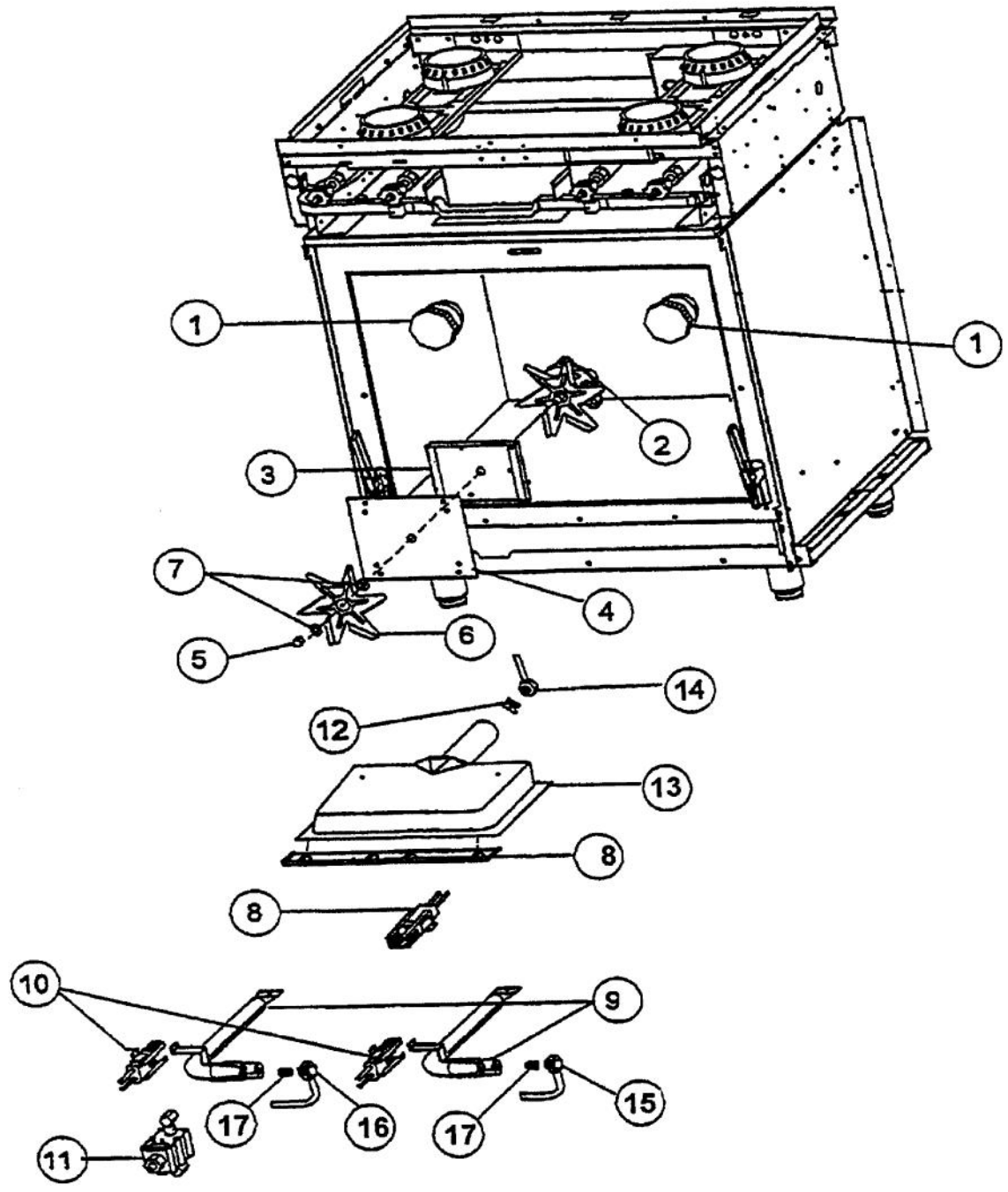


Ref #	Part Number	Qty.	Description
1	G50014406		30 FALSE TRAY HANDLE SVC. KIT (SS)
	G50014407		30 FALSE TRAY HANDLE SVC. KIT (BR)
2	G3006766		SEALED LANDING LEDGE ASSY
3	PE050023		OVEN IND. LIGHT (LENS & BEZEL)
4	PE050016		OVEN LIGHT SWITCH - XBKX (WES-GAR)
	PE050017		OVEN LIGHT SWITCH - XWHX (WES-GAR)
5	PB010206		VGSC,VGRC,VGRT TOP BURNER KNOB(BK)
	PB010207		VGSC,VGRC,VGRT TOP BURNER KNOB(WH)
6	PB010099		T/STAT B/B KNOB BK REPL PB010039BKX
	PB010100		THERMOSTAT BAKE/BROIL KNOB XWHX N/S
7	PE010081		CONVECTION-LABEL/PLATE (CHROME)
	PE010082		CONVECTION-LABEL/PLATE (XBRX)
8	PB010171		BEZEL - SS
	PB010172		BEZEL NEW BR REPL PB010107
9	B9202840		CTRL PAN VGSC305-4B REPL B9201791
10	PA020015		SPARK IGNITION SWITCH (BEFORE 2/23/05)
10	PA020045		IGNITOR SWITCH (AFTER 2/23/05)
11	G50012679		SEALED BURNER VALVE KIT
	PA010158		SUB TO 003517-000 - SEALED BURNER FLARE VALVE
12	PB010036		THERMOSTAT BAKE/BROIL
13	PA050113		MANIFOLD
14	PB020156		16`` FLEX TUBING
15	PB020168		BURNER TUBING
16	PE050024		OVEN IND. LIGHT (LIGHT HOUSING)
17	PA020047		INVENSYS 0+4 RE-IGNITION SPARK MODULE
NI	PE070128		SUPPLY CORD (VGRT/SC/SS/RC)
18	PB010083		SINGLE THERMAL VALVE LH (OVEN)
19	PB030002		SUB TO 003862-000 - SHUTOFF VALVE
	PB030007		SHUT OFF VALVE

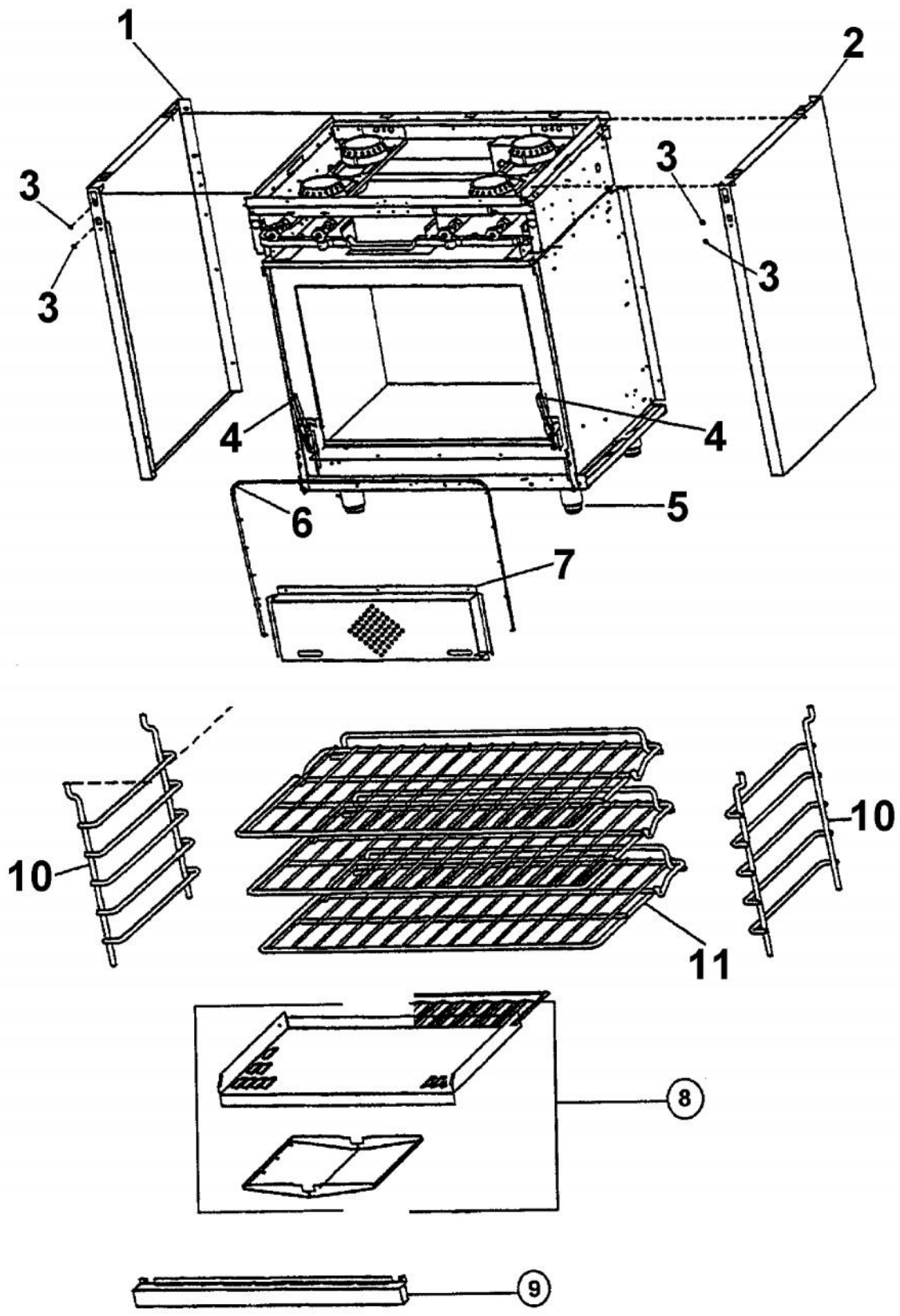


Ref #	Part Number	Qty.	Description
1	PA060054		SEALED GRATE XBKX
	PA060062		SEALED GRATE GRAY
2	PA060060		SEALED COOKTOP CENTER GRATE XBKX
	PA060061		SEALED COOKTOP CENTER GRATE GRAY
3	PA080045		BURNER CAP - BK?
	PA080086		D BURNER CAP XMATTE GRAYX
4	PB050063		BURNER HEAD
5	G3206743		BURNER BODY ASSY (VDSC3074B)
6	PB050062		BURNER BASE
	PB040264		GLAZED ELECTRODE REPLACED BY PB050081
7	PA010100		VENTURI D (VDSC3074B)
NI	PB070124		GASKET (VDSC3074B) REPLACED BY PB050081
8	G3206723AL		MAIN TOP WELD ASSY. - AL (BEFORE 6/11/03)
			(BEFORE 8/14/03)
	G3206723		30 MAIN TOP ASSY (VDSC3074B)
			(BEFORE 8/14/03)
	G3206723BT		MAIN TOP WELD ASSY. - BT (BEFORE 6/11/03)
			(BEFORE 8/14/03)
	G3206723CB		MAIN TOP WELD ASSY. - CB (BEFORE 6/11/03)
			(BEFORE 8/14/03)
	G3206723EP		MAIN TOP WELD ASSY. - EP (BEFORE 6/11/03)
			(BEFORE 8/14/03)
	G3206723FG		MAIN TOP WELD ASSY. - FG (BEFORE 6/11/03)
			(BEFORE 8/14/03)
	G3206723GG		MAIN TOP WELD ASSY. - GG (BEFORE 6/11/03)
			(BEFORE 8/14/03)
	G3206723LE		MAIN TOP WELD ASSY. - LE (BEFORE 6/11/03)
			(BEFORE 8/14/03)
	G3206723MJ		MAIN TOP WELD ASSY. - MJ (BEFORE 6/11/03)
			(BEFORE 8/14/03)
	G3206723SG		MAIN TOP WELD ASSY. - SG (BEFORE 6/11/03)
			(BEFORE 8/14/03)
	G3206723VB		MAIN TOP WELD ASSY. - VB (BEFORE 6/11/03)
			(BEFORE 8/14/03)
	G3206723WH		30 MAIN TOP ASSY (VDSC3074B)
			(BEFORE 8/14/03)
	E9107413AL		MAIN TOP WELD ASSY. - AL (AFTER 6/11/03)
			(AFTER 8/14/03)
	E9107413BK		MAIN TOP 30 XBKX
			(AFTER 8/14/03)
	E9107413BT		MAIN TOP WELD ASSY. - BT (AFTER 6/11/03)
			(AFTER 8/14/03)
	E9107413CB		MAIN TOP WELD ASSY. - CB (AFTER 6/11/03)
			(AFTER 8/14/03)
	E9107413EP		MAIN TOP WELD ASSY. - EP (AFTER 6/11/03)
			(AFTER 8/14/03)
	E9107413FG		MAIN TOP WELD ASSY. - FG (AFTER 6/11/03)
			(AFTER 8/14/03)
	E9107413GG		MAIN TOP WELD ASSY. - GG (AFTER 6/11/03)
			(AFTER 8/14/03)
	E9107413LE		MAIN TOP WELD ASSY. - LE (AFTER 6/11/03)
			(AFTER 8/14/03)
	E9107413MJ		MAIN TOP WELD ASSY. - MJ (AFTER 6/11/03)
			(AFTER 8/14/03)
	E9107413SG		MAIN TOP 30 XSGX
			(AFTER 8/14/03)
	E9107413VB		MAIN TOP WELD ASSY. - VB (AFTER 6/11/03)
			(AFTER 8/14/03)
	E9107413WH		MAIN TOP 30 XWHX
			(AFTER 8/14/03)

Ref #	Part Number	Qty.	Description
9	B2006724		(AFTER 8/14/03) SEALED TOPSIDE TRIM
	C9306724BR		(BEFORE 8/14/03) SEALED TRIM RH XBRX
	B2007868		(BEFORE 8/14/03) IC SEALED SIDE TRIM
	C9307868BR		(AFTER 8/14/03) IC SEALED SIDE TRIM XBRX
10	B2006724		(AFTER 8/14/03) SEALED TOPSIDE TRIM
	C9306724BR		(BEFORE 8/14/03) SEALED TRIM RH XBRX
	B2007868		(BEFORE 8/14/03) IC SEALED SIDE TRIM
	C9307868BR		(AFTER 8/14/03) IC SEALED SIDE TRIM XBRX
11	A2002364		REAR BURNER SUPT VGSC/SS30
12	A2006744		CENTER SUPPORT (VDSC3074B)
13	PA070001		PRESSURE REGULATOR (NAT.)
14	PB050085		1/2" STREET ELBOW
15	PB020162		1/2 NPT STEEL PIPE-10 1/8
NI	G50013867		VGIC307 BURNER SUPPORT SERVICE KIT

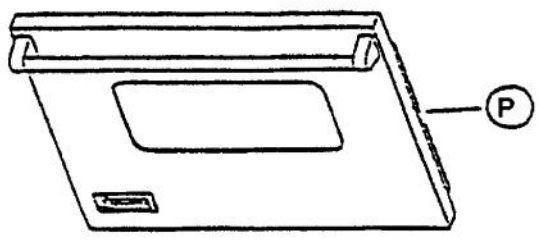
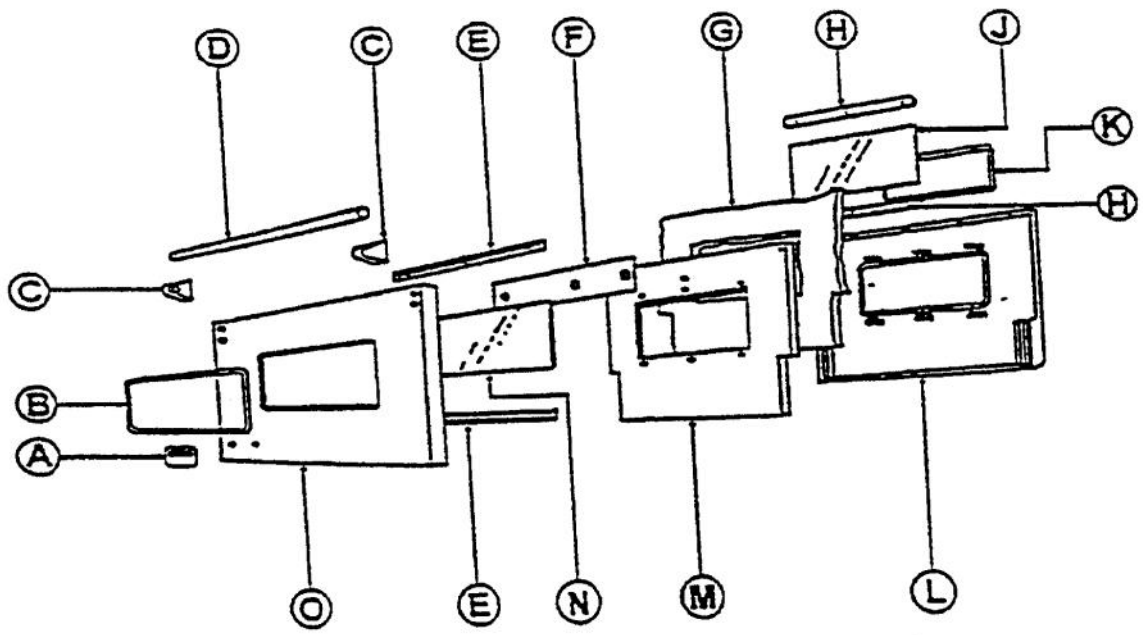


Ref #	Part Number	Qty.	Description
1	PE050009		OVEN LIGHT SOCKET - 36 BUILT-IN
2	PE050057		CONVECTION FAN (VGSC306)
	G9101371		CONVECTION FAN COVER ASSY(VGSC305)
3	A2002595		CONVECTION FAN BOX (VDSC)
4	A1002596		CONVECTION FAN COVER (VDSC)
5	PD030035		CONVECTION FAN NUT
6	PE050035		CONVECTION FAN BLADE
7	PD040030		CONVECTION FAN WASHER
8	PB040001		IGNITOR - (ALL RANGES)
9	PB050012		OVEN BURNER REPL PB050009
10	PB040001		IGNITOR - (ALL RANGES)
11	PB010084		DUAL THERMAL BI-MTL GAS CTRL VALVE
12	PB040040		ORIFICE-IR BURNER (VGSC)
	PB040027		IR BUR.SPUD ORF. - NO.56 LP
13	G3001876		IR BURNER ASSY (VGSC/RC) N/S
14	PB020061		TUBING - BROIL-SAFETY VALVE(VGIS48)
NI	PD030018		PALNUT - 3/4-16
15	PB020023		BAKE BURNER TUBE RH OVEN
16	PB020022		BAKE BURNER TUBE LH OVEN
17	PB040057		ORIFICE HOOD-NO.46
	PB040059		ORIFICE HOOD-NO.54 9701B1654
18	B2001448		IR BROIL SUPT (FRONT)
NI	B2002261		FRONT I/R BROILER SUPPORT BRACKET
NI	PB020050		SHUTOFF-SINGLE/DUAL VALVE (SS48/36)
NI	PB020028		OVEN TUBING (MANIFOLD TO VALVE)
NI	A2008467		INSULATION SHIELD
NI	PE070460		WIRING HARNESS - VGIC307
NI	PB020041		SHUTOFF TUBING
NI	003326-000	1	PLATE, BASE, LWR, 36



Ref #	Part Number	Qty.	Description
1	B2006750		O/S BODY PANEL-LH (VDSC3074)
	C9006750AL		O/S BODY PANEL-LH XALX (VDSC)
	C9006750BK		O/S BODY PANEL-LH XBKX (VDSC)
	C9006750BT		O/S BODY PANEL-LH XBTX (VDSC)
	C9006750BU		O/S BODY PANEL-LH XBUX (VDSC)
	C9006750CB		O/S BODY PANEL-LH XCBX (VDSC)
	C9006750EP		O/S BODY PANEL-LH XEPX (VDSC)
	C9006750FG		O/S BODY PANEL-LH XFGX (VDSC)
	C9006750GG		O/S BODY PANEL-LH XGGX (VDSC)
	C9006750LE		O/S BODY PANEL-LH XLEX (VDSC)
	C9006750MJ		O/S BODY PANEL-LH XMJX (VDSC)
	C9006750SG		O/S BODY PANEL-LH XSGX (VDSC)
	C9006750VB		O/S BODY PANEL-LH XVBX (VDSC)
	C9006750WH		O/S BODY PANEL-LH XWHX (VDSC)
2	B2006749		O/S BODY PANEL-RH (VDSC3074B)
	C9006749AL		O/S BODY PANEL-RH XALX (VDSC)
	C9006749BK		O/S BODY PANEL-RH XBKX (VDSC)
	C9006749BT		O/S BODY PANEL-RH XBTX (VDSC)
	C9006749BU		O/S BODY PANEL-RH XBUX (VDSC)
	C9006749CB		O/S BODY PANEL-RH XCBX (VDSC)
	C9006749EP		O/S BODY PANEL-RH XEPX (VDSC)
	C9006749FG		O/S BODY PANEL-RH XFGX (VDSC)
	C9006749GG		O/S BODY PANEL-RH XGGX (VDSC)
	C9006749LE		O/S BODY PANEL-RH XLEX (VDSC)
	C9006749MJ		O/S BODY PANEL-RH XMJX (VDSC)
	C9006749SG		O/S BODY PANEL-RH XSGX (VDSC)
	C9006749VB		O/S BODY PANEL-RH XVBX (VDSC)
	C9006749WH		O/S BODY PANEL-RH XWHX (VDSC)
	B2007870		IC SEALED LH SIDE PANEL
	C9007870AL		IC SEALED LH SIDE PANEL XALX
	C9007870BK		IC SEALED LH SIDE PANEL XBKX
	C9007870BT		IC SEALED LH SIDE PANEL XBTX
	C9007870BU		IC SEALED LH SIDE PANEL XBUX
	C9007870CB		IC SEALED LH SIDE PANEL XCBX
	C9007870EP		IC SEALED LH SIDE PANEL XEPX
	C9007870FG		IC SEALED LH SIDE PANEL XFGX
	C9007870GG		IC SEALED LH SIDE PANEL XGGX
	C9007870LE		IC SEALED LH SIDE PANEL XLEX
	C9007870MJ		IC SEALED LH SIDE PANEL XMJX
	C9007870SG		IC SEALED LH SIDE PANEL XSGX
	C9007870VB		IC SEALED LH SIDE PANEL XVBX
	C9007870WH		IC SEALED LH SIDE PANEL XWHX
	B2007869		IC SEALED RH SIDE PANEL
	C9007869AL		IC SEALED RH SIDE PANEL XALX
	C9007869BK		IC SEALED RH SIDE PANEL XBKX
	C9007869BT		IC SEALED RH SIDE PANEL XBTX
	C9007869BU		SEALED RH SIDE PANEL XBUX
	C9007869CB		IC SEALED RH SIDE PANEL XCBX
	C9007869EP		IC SEALED RH SIDE PANEL XEPX
	C9007869FG		IC SEALED RH SIDE PANEL XFGX
	C9007869GG		IC SEALED RH SIDE PANEL XGGX
	C9007869LE		IC SEALED RH SIDE PANEL XLEX
	C9007869MJ		IC SEALED RH SIDE PANEL XMJX
	C9007869SG		IC SEALED RH SIDE PANEL XSGX
	C9007869VB		IC SEALED RH SIDE PANEL XVBX
	C9007869WH		IC SEALED RH SIDE PANEL XWHX
3	PD030005		SELF RETAINING NUT
4	PC020007		HINGE ASSY (NO COLOR)
5	PC030017		4 LEG ASSY
6	PB070030		OVEN DR GASKET-30 & 36

Ref #	Part Number	Qty.	Description
6	PB070030		OVEN DR GASKET-30 & 36
7	G9101371		CONVECTION FAN COVER ASSY(VGSC305)
8	G3204251		OVEN BOTTOM ASSY - RH OVEN, 48
9	B2001815		LOWER ACC PAN - (VGRC605)
	C9001815AL		LOWER ACC PAN - XALX (VGRC605)
	C9001815BK		LOWER ACC PAN - XBKX (VGRC605)
	C9001815BT		LOWER ACC PAN - XBTX (VGRC605)
	C9001815BU		LOWER ACC PAN - XBUX (VGRC605)
	C9001815CB		LOWER ACC PAN - XCBX (VGRC605)
	C9001815EP		LOWER ACC PAN - XEPX (VGRC605)
	C9001815FG		LOWER ACC PAN - XFGX (VGRC605)
	C9001815GG		LOWER ACC PAN - XGGX (VGRC605)
	C9001815LE		LOWER ACC PAN - XLEX (VGRC605)
	C9001815LN		LOWER ACC PAN - XLNX (VGRC605)
	C9001815MJ		LOWER ACC PAN - XMJX (VGRC605)
	C9001815PL		LOWER ACC PAN - XPLX (VGRC605)
	C9001815SG		LOWER ACC PAN - XSGX (VGRC605)
	C9001815VB		LOWER ACC PAN - XVBX (VGRC605)
	C9001815WH		LOWER ACC PAN - XWHX (VGRC605)
NI	A2008456		HINGE POCKET COVER,VGIC RH
NI	A2008457		HINGE POCKET COVER,VGIC LH
NI	PM010027		BACKGUARD ASSEMBLY
10	PB060030		RACK SUPT REPL PB060010
11	PB060038		RACK REPL PB060011



Ref #	Part Number	Qty.	Description
A	PE010016		NAMEPLATE, LOGO, PRO
	PE010079		4.5 LOGO/VIKING PROF, BK/BR
	PE010017		LOGO (VGSO,VEDO,VGDO,VUD) XWH/CHR
	PE010080		4.5 LOGO/VIKING PROF XWH/BR
B	PE060007		J-MOLD (1 RADIUS)
	PE060020		J-MOLD (VGSO OVN DOOR) XBRX
C	PE030001		BRACKET, DOOR, HANDLE
	PE030001PVD		END CAP DOOR HANDLE XBR
D	PE030005		DOOR HANDLE - VGSC30/RC60/RC48RH
	PE030012PVD		DOOR HANDLE - RH - (30/48) PVD
E	A2001447		OUTER DOOR GLASS RETAINER
F	A1001381		DOOR HEAT BAFFLE (VGSC/VGSS)
G	PB070034		INSULATION-TRS-10 1 X 20 X 3'
H	A2001480		INNER DOOR GLASS RETAINER
J	PE060008		GLASS REPL PE060009
K	PB070014		DOOR GLASS SEAL STRIP - WINDOW DRS.
L	G9103408		INSIDE DOOR LINER (VGSC30)
M	A2001718		DOOR INSUL RETAINER (VGSC/SS) W/W
N	PE060018		OVEN GLASS-TEMPERED,SCREENEDXBKX
O	B2009171		OUTSIDE DOOR PANEL 30 SS
	C9009172AL		OUTSIDE DOOR PANEL 30 XALX
	C9009172BK		OUTSIDE DOOR PANEL 30 XBKX
	C9009172BT		OUTSIDE DOOR PANEL 30 XBTX
	C9009172BU		OUTSIDE DOOR PANEL 30 XBUX
	C9009172CB		OUTSIDE DOOR PANEL 30 XCBX
	C9009172EP		OUTSIDE DOOR PANEL 30 XEPX
	C9009172FG		OUTSIDE DOOR PANEL 30 XFGX
	C9009172GG		OUTSIDE DOOR PANEL 30 XGGX
	C9009172LE		OUTSIDE DOOR PANEL 30 XLEX
	C9009172LN		OUTER DOOR PANEL - LN
	C9009172MJ		OUTSIDE DOOR PANEL 30 XMJX
	C9009172PL		OUTER DOOR PANEL - PL
	C9009172SG		OUTSIDE DOOR PANEL 30 XSGX
	C9009172VB		OUTSIDE DOOR PANEL 30 XVBX
	C9009172WH		OUTSIDE DOOR PANEL 30 XWHX
P	G3209182AL		DOOR ASSY 30 XALX
	G3209182ALBR		DOOR ASSY 30 XALBRX
	G3209182BK		DOOR ASSY 30 XBKX
	G3209182BKBR		DOOR ASSY 30 XBKBRX
	G3209182BT		DOOR ASSY 30 XBTX
	G3209182BTBR		DOOR ASSY 30 XBTBRX
	G3209182BU		DOOR ASSY 30 XBUX
	G3209182BUBR		DOOR ASSY 30 XBUBRX
	G3209182CB		DOOR ASSY 30 XCBX
	G3209182CBBR		DOOR ASSY 30 XCBBRX
	G3209182EP		DOOR ASSY 30 XEPX
	G3209182EPBR		DOOR ASSY 30 XEPBRX
	G3209182FG		DOOR ASSY 30 XFGX
	G3209182FGBR		DOOR ASSY 30 XFGBRX
	G3209182GG		DOOR ASSY 30 XGGX
	G3209182GGBR		DOOR ASSY 30 XGGBRX
	G3209182LE		DOOR ASSY 30 XLEX
	G3209182LEBR		DOOR ASSY 30 XLEBRX
	G3209182LN		COMPLETE DOOR ASSY. - LN
	G3209182LNBR		COMPLETE DOOR ASSY. - LNBR
	G3209182MJ		DOOR ASSY 30 XMJX
	G3209182MJBR		DOOR ASSY 30 XMJBRX
	G3209182PL		COMPLETE DOOR ASSY. - PL
	G3209182PLBR		COMPLETE DOOR ASSY. - PLBR
	G3209182SG		DOOR ASSY 30 XSGX

Ref #	Part Number	Qty.	Description
	G3209182SG		DOOR ASSY 30 XSGX
	G3209182SGBR		DOOR ASSY 30 XSGBRX
	G3209181SS		DOOR ASSY 30 XSSX
	G3209181SSBR		DOOR ASSY 30 XSSBRX
	G3209182VB		DOOR ASSY 30 XVBX
	G3209182VBBR		DOOR ASSY 30 XVBBRX
	G3209182WH		DOOR ASSY 30 XWHX