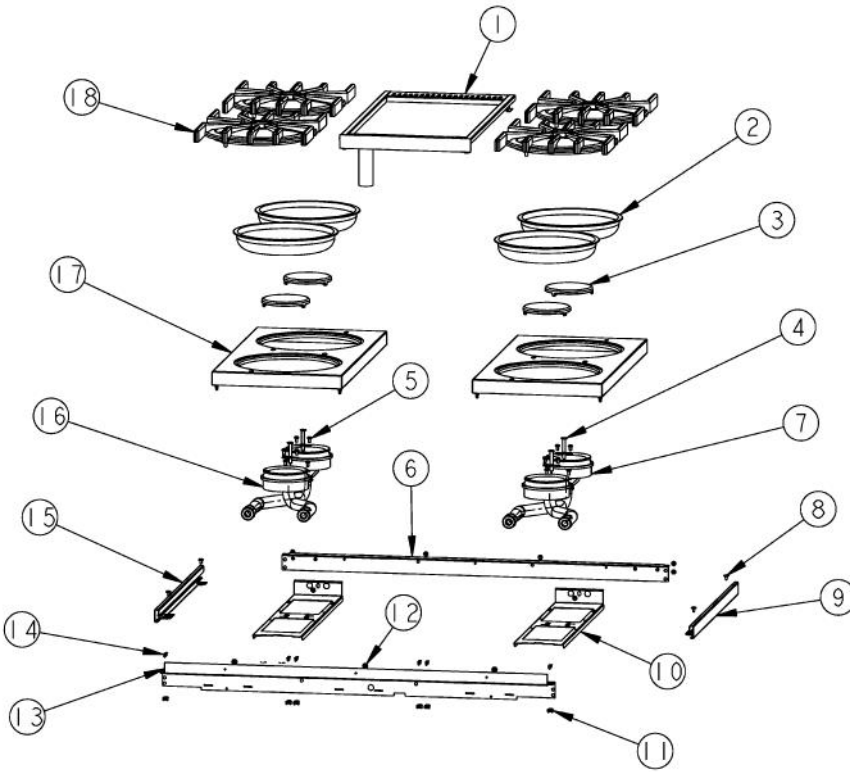
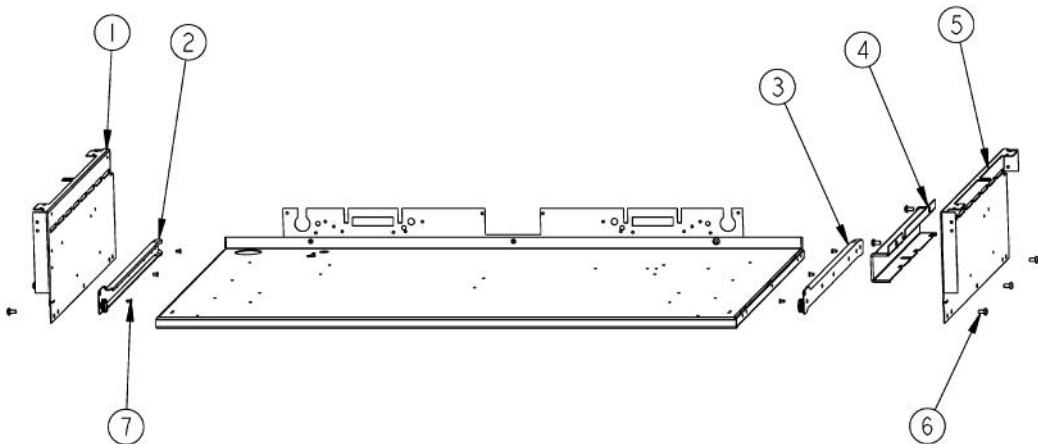


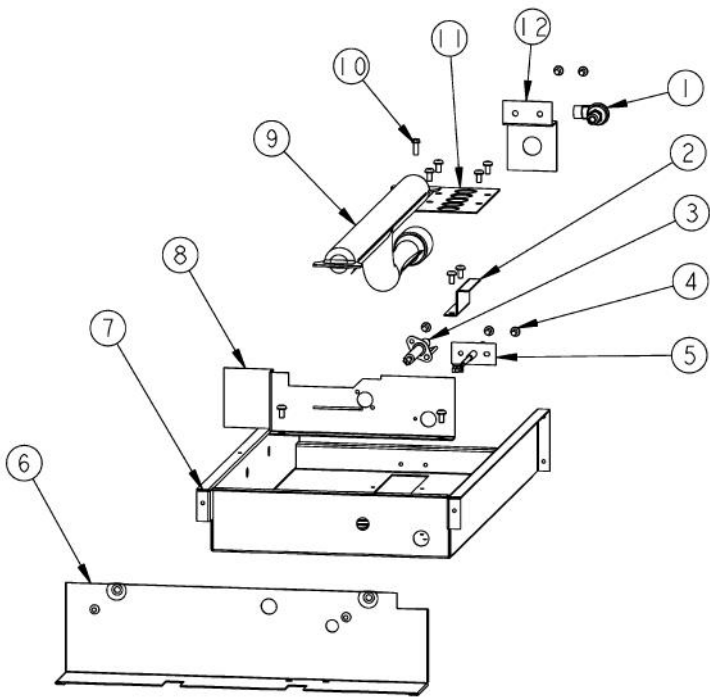
| Ref # | Part Number | Qty. | Description |
|-------|-------------|------|--|
| 1 | G3001585 | | 36 LANDING LEDGE |
| 2 | PD030005 | | SELF RETAINING NUT |
| 3 | PD010003 | | 10-24 X 1/2 PH.TR.HD.SERD.M.S. |
| 4 | PA070001 | | PRESSURE REGULATOR (NAT.) |
| 5 | PA010157 | | SUB TO 003515-000 - RANGE TOP BURNER VALVE |
| 6 | 000336-000 | | ELECTRONIC THERMOSTAT - 2 POS. |
| 7 | PB030007 | | SHUT OFF VALVE |
| 8 | PA020058 | | IRIS SINGLE SPARK MODULE |
| 9 | PE050024 | | OVEN IND. LIGHT (LIGHT HOUSING) |
| 10 | A1001138 | | MANIFOLD BRKT |
| 11 | PD020004 | | 10X3/8PH.HD.TYPE 25 REPL PD040125 |
| 12 | PD030006 | | CAPPED WASHER PAL NUT |
| 13 | PD020033 | | SRW-NO.10-24X1/2T(23)PH.WFR HD (NKL) |
| 14 | PE010081 | | CONVECTION-LABEL/PLATE (CHROME) |
| 14 | PE010082 | | CONVECTION-LABEL/PLATE (XBRX) |
| 15 | PB010208 | | BEZEL, CHROME PLATE |
| 15 | PB010209 | | BEZEL BRASS |
| 16 | PD020046 | | NO.8 X 1/2 SCREWS |
| 17 | PD020044 | | NO.8-32 X 1/4 PH. TR. HD. M.S. |
| 18 | 000448-000 | | GRIDDLE KNOB XBKX |
| 18 | 000448-006 | | GRIDDLE KNOB (WH) |
| 19 | 000447-000 | | THERMOSTAT KNOB SELF-CLEAN (BK) |
| 19 | 000447-006 | | OVEN KNOB WITH BROIL(WH) |
| 20 | PB010206 | | VGSC,VGRC,VGRT TOP BURNER KNOB(BK) |
| 20 | PB010207 | | VGSC,VGRC,VGRT TOP BURNER KNOB(WH) |
| 21 | PE050016 | | OVEN LIGHT SWITCH - XBKX (WES-GAR) |
| 21 | PE050017 | | OVEN LIGHT SWITCH - XWHX (WES-GAR) |
| 22 | B9201281 | | CTRL PAN - VGRC365-4G XSLK SCRX |
| 23 | PD010012 | | VALVE BOLT 1/4-20 UNC-2B 5/16 M.S. |
| 24 | PA050114 | | MANIFOLD |
| 25 | 002884-000 | | MANIFOLD PLUG |
| 26 | PE050023 | | OVEN IND. LIGHT (LENS & BEZEL) |



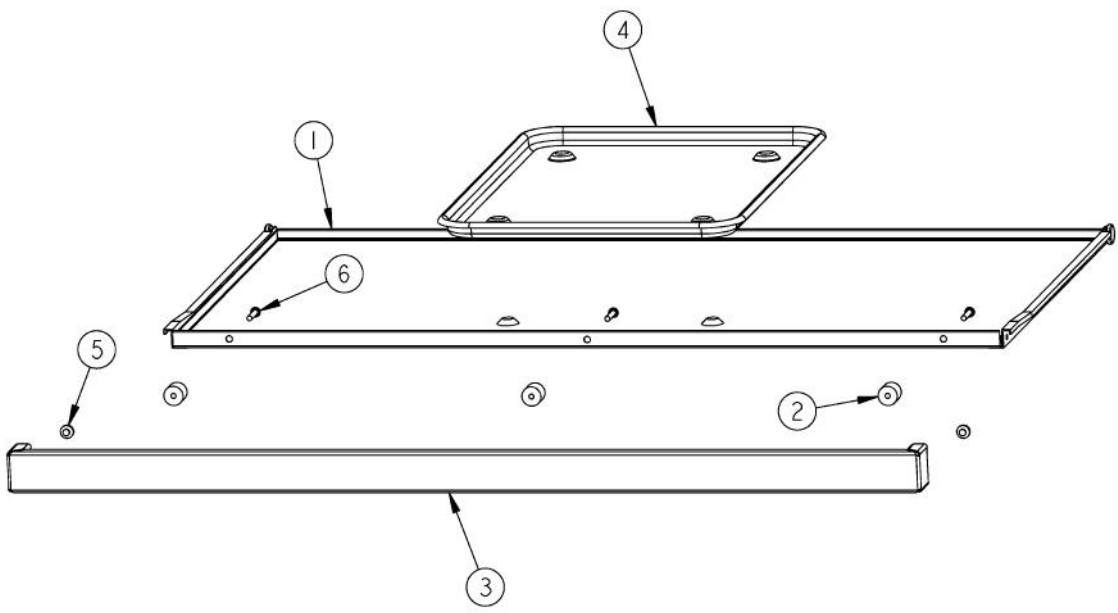
| Ref # | Part Number | Qty. | Description |
|-------|-------------|------|------------------------------------|
| 1 | G30010494 | | GRIDDLE WELD ASSY |
| 2 | PA030002BK | | BURNER BOWL (VGRT) XXBKXX |
| 2 | PA030002WH | | BURNER BOWL (VGRT) XXWHXX |
| 3 | PA080015 | | BURNER CAP-VGRT XBKX |
| 4 | PA020028 | | SPARK IGNITER |
| 5 | PD020004 | | 10X3/8PH.HD.TYPE 25 REPL PD040125 |
| 6 | A2005514 | | REAR BURNER SUPPORT |
| 7 | PA080037 | | TOP BURNER FRONT REPL PA080007 |
| 8 | PD020032 | | SRW-8(A)X3/8PH.WFR HD 7/16DIAXNICL |
| 9 | B2002345 | | SIDE TRIM - RH (VGSS) |
| 9 | C9302345 | | SIDE TRIM - RH (BR) |
| 10 | A2001112 | | BURNER SUPT (VGRT) |
| 11 | PD010016 | | BALL STUD FASTEN |
| 12 | PD020002 | | 10 X 1/2 PH.TR.HD.SMS. |
| 13 | 001347-000 | | FRONT SUPT (36) |
| 14 | PC040010 | | POP RIVET |
| 15 | B2002346 | | SIDE TRIM - LH (VGSS) |
| 15 | C9302346 | | SIDE TRIM - LH (BR) |
| 16 | PA080036 | | TOP BURNER REAR REPL PA080008 |
| 17 | G50013584BK | | GRATE SUPPORT SERVICE KIT (BK) |
| 17 | G50013584WH | | GRATE SUPPORT SERVICE KIT (WH) |
| 18 | PA060037 | | GRATE BK REPL PA060024 (GEN.NO.2) |



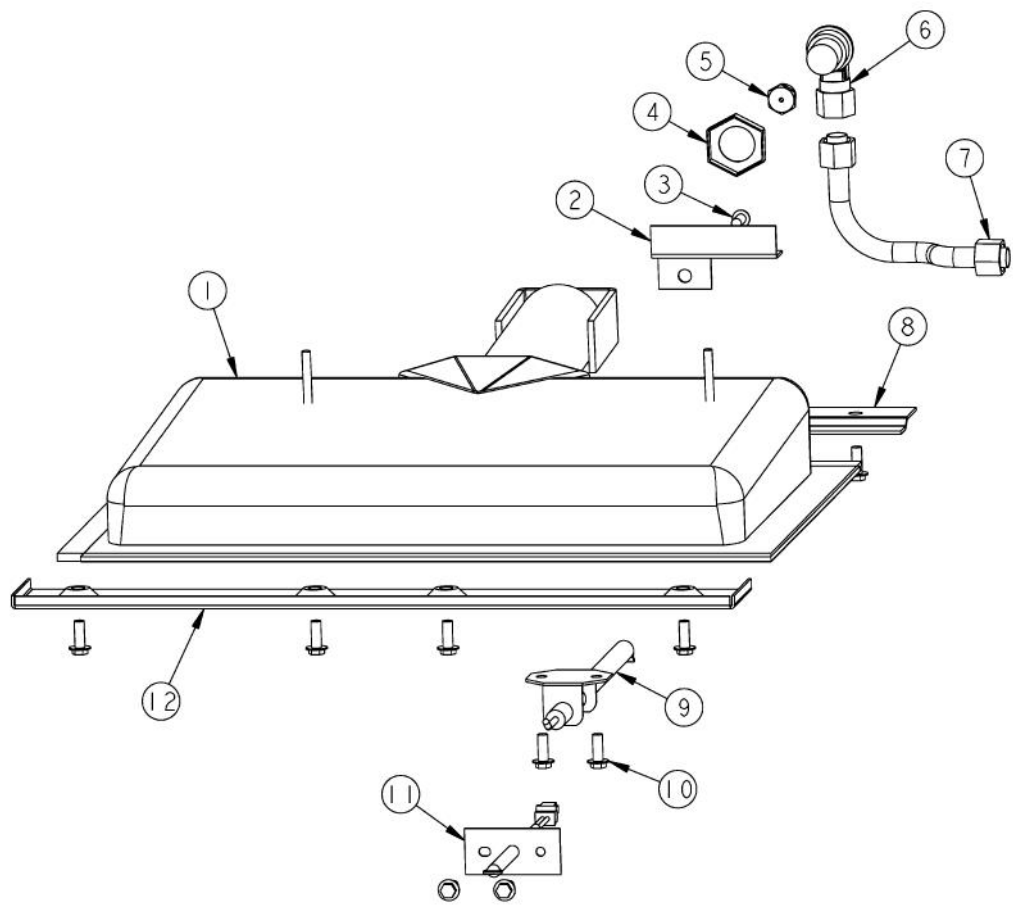
| Ref # | Part Number | Qty. | Description |
|-------|-------------|------|-----------------------------------|
| 1 | 002889-000 | | BURNER BOX SIDE-LH |
| 2 | PK000007 | | DRIP TRAY GUIDE - LH (VGRT) |
| 3 | PK000008 | | DRIP TRAY GUIDE - RH |
| 4 | A2000210 | | WIRE CHANNEL |
| 5 | 002888-000 | | BURNER BOX SIDE-RH |
| 6 | PD020004 | | 10X3/8PH.HD.TYPE 25 REPL PD040125 |
| 7 | PC040010 | | POP RIVET |



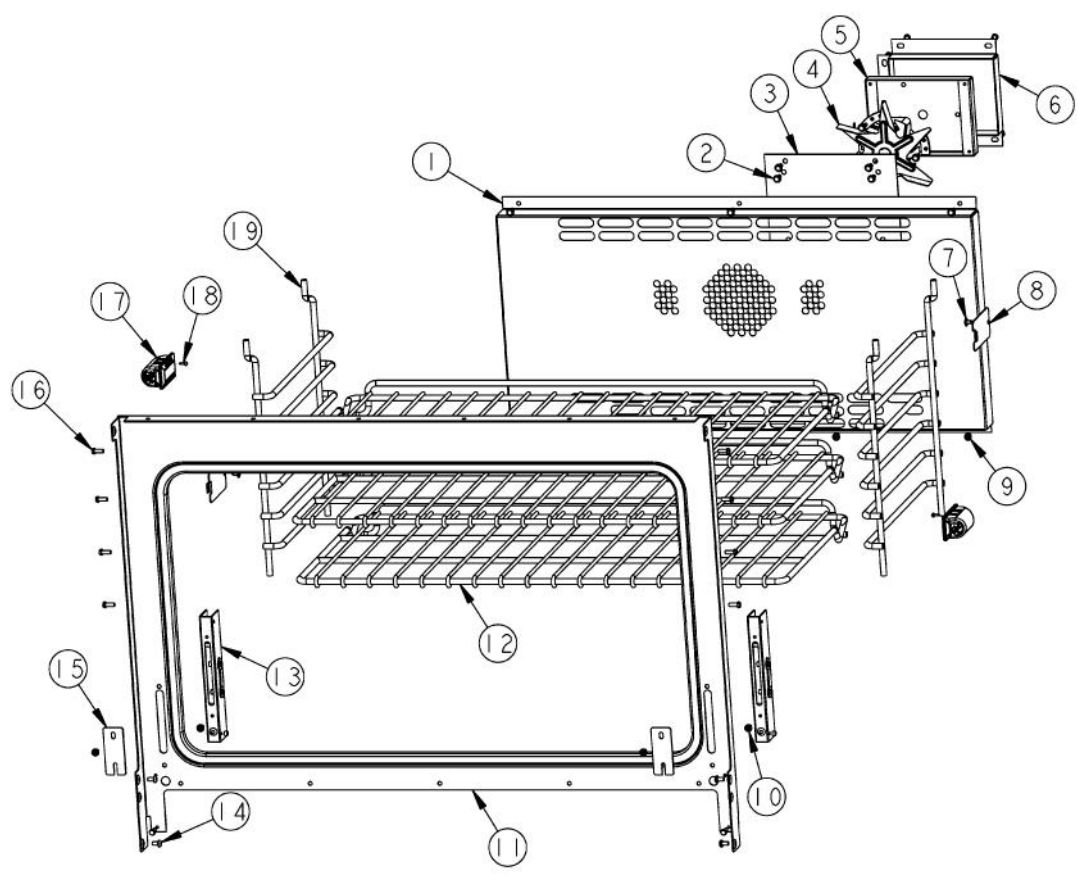
| Ref # | Part Number | Qty. | Description |
|-------|-------------|------|-------------------------------------|
| 1 | PB040190 | | 90 DEGREE ORIFICE FITTING NO.50 NAT |
| 2 | 000971-000 | | RTD GRIDDLE SHIELD |
| 3 | PB040288 | | SMOKER BURNER IGNITER |
| 4 | PD020004 | | 10X3/8PH.HD.TYPE 25 REPL PD040125 |
| 5 | PE050206 | | RTD THERMOSTAT PROBE |
| 6 | 001361-000 | | THERMOSTAT COVER |
| 7 | 001437-000 | | GRIDDLE BOX |
| 8 | 001436-000 | | GRIDDLE HEAT BAFFLE |
| 9 | PDB050077 | | GRIDDLE/GRILL BURNER |
| 10 | PD020060 | | 10 X 1/2 (5/16)HEX WSHR HD.(T)A |
| 11 | A1007861 | | GRIDDLE VENTURI COVER IC36 |
| 12 | 001625-000 | | GRIDDLE ORIFICE BRACKET |



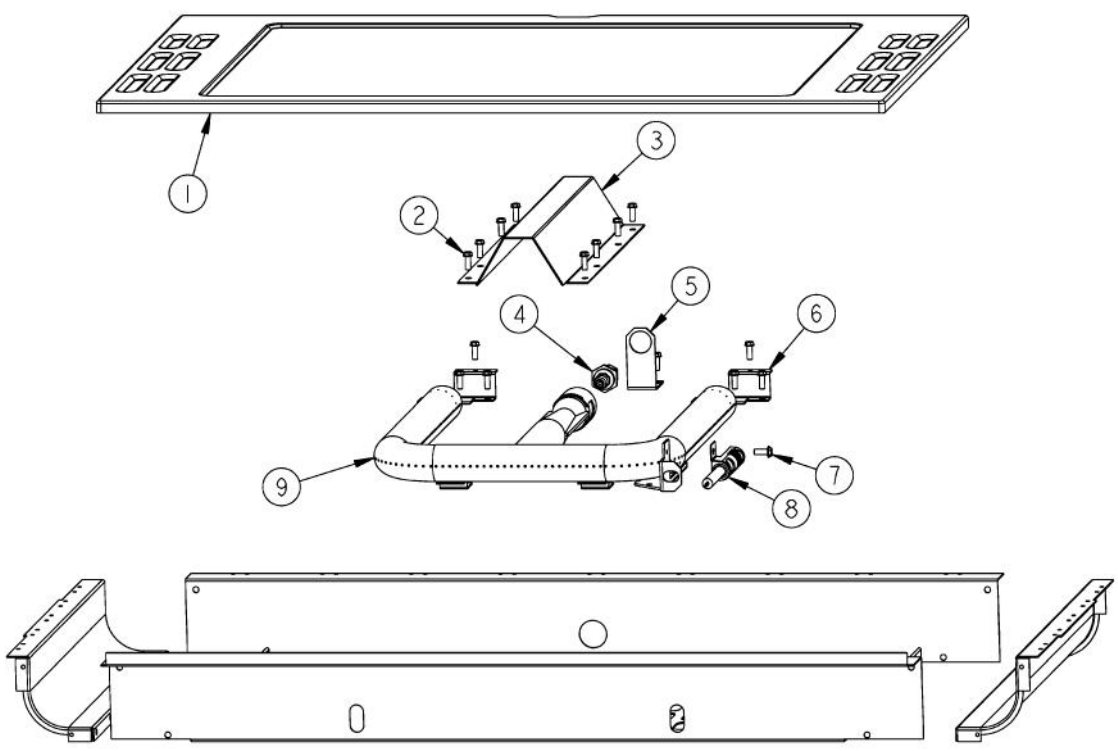
| Ref # | Part Number | Qty. | Description |
|-------|--------------|------|--------------------------------------|
| 1 | G30010455 | | 36 DRIP TAY ASSY |
| 2 | PD040028 | | BUSHING(.194ID/.750OD/.750LONG) |
| 3 | G30010696 | | DRIP TRAY HANDLE ASSY 36 |
| 3 | G93011459PVD | | DRIP TRAY HANDLE ASSY 36 PVD |
| 4 | PB080061 | | GREASE PAN |
| 5 | PD040004 | | GROMMET BUMPER |
| 6 | PD020079 | | NO.10 X 1 1/4 PH. PAN HD. T(A) NYLOK |



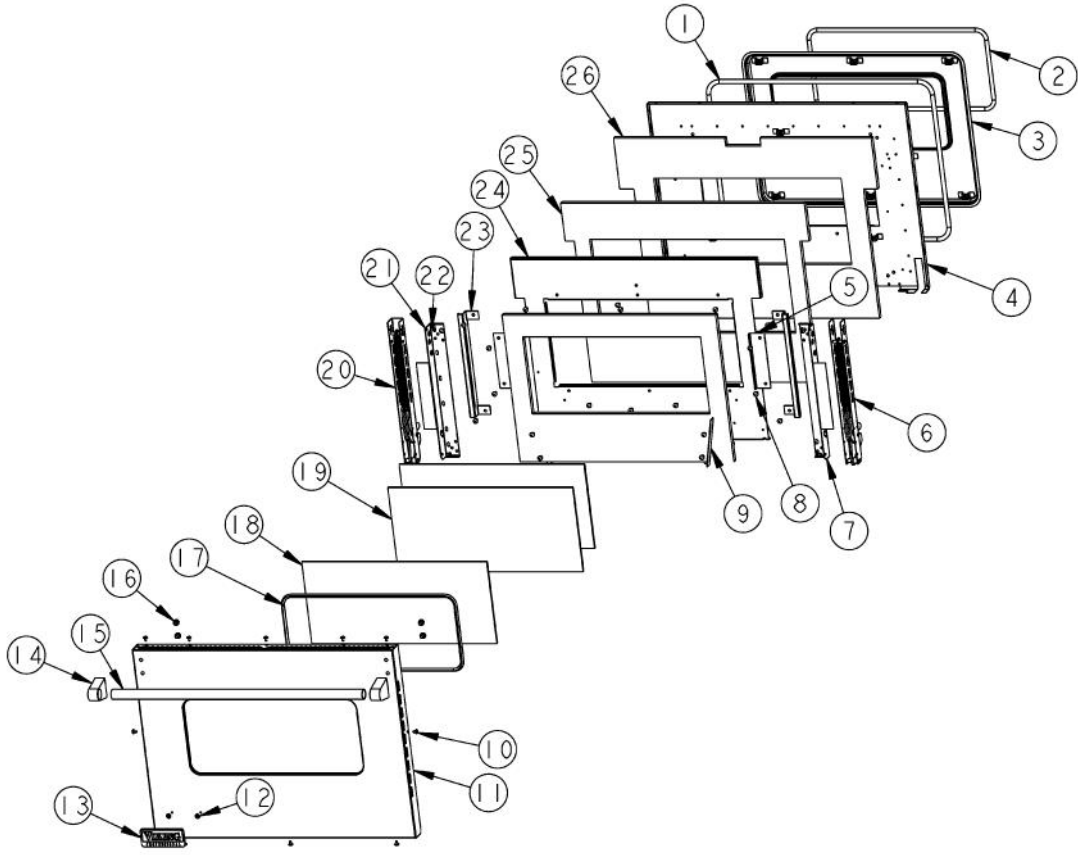
| Ref # | Part Number | Qty. | Description |
|-------|-------------|------|-------------------------------------|
| 1 | G3001876 | | IR BURNER ASSY (VGSC/RC) N/S |
| 2 | 001348-000 | | BROIL INSULATION RETAINER |
| 3 | PD020060 | | 10 X 1/2 (5/16)HEX WSHR HD.(T)A |
| 4 | PD030018 | | PALNUT - 3/4-16 |
| 5 | PB040040 | | ORIFICE-IR BURNER (VGSC) |
| 6 | PB040178 | | 90 DEGREE ORIFICE FITTING (VGSC306) |
| 7 | 000921-000 | | 3/8 ALUM TUBING ELBOW |
| 8 | B2005589 | | REAR BROILER BRACKET |
| 9 | PB040171 | | BROIL IGNITION ELECTRODE |
| 10 | PD020048 | | NO.10 X 1/2 TEK 410 SS SCREW |
| 11 | PE050206 | | RTD THERMOSTAT PROBE |
| 12 | B2001448 | | IR BROIL SUPT (FRONT) |



| Ref # | Part Number | Qty. | Description |
|-------|-------------|------|---|
| 1 | G9105513 | | CONVECTION FAN COVER ASSY (VGSC366) |
| 2 | PD020048 | | NO.10 X 1/2 TEK 410 SS SCREW |
| 3 | A1002596 | | CONVECTION FAN COVER (VDSC) |
| 4 | PE050005 | | CONVECTION FAN ASSY |
| 5 | A2002595 | | CONVECTION FAN BOX (VDSC) |
| 6 | A2008467 | | INSULATION SHIELD |
| 7 | PD020063 | | SCREW-NO.8(A) X 3/8PH WFR HD/BK OXID |
| 8 | E91012614 | | LIGHT HOLE COVER |
| 9 | M0210443 | | SCREW-E SM |
| 10 | 003083-000 | | NO.8-18 X 1/2 PHIL FLAT TOP TRUSS HD AB SCREW |
| 11 | 001307-000 | | OVEN FRONT FRAME ASSY PORC |
| 12 | PB060045 | | OVEN RK VDSC36 REPL PB060020 |
| 13 | PC020295 | | HINGE RECEIVER ASSEMBLY |
| 14 | PD020004 | | 10X3/8PH.HD.TYPE 25 REPL PD040125 |
| 15 | B1007913 | | HINGE CLIP (DESIGNER TIME PIECE) |
| 16 | PD020060 | | 10 X 1/2 (5/16)HEX WSHR HD.(T)A |
| 17 | PE050238 | | HALOGEN LIGHT |
| 18 | PD020013 | | TYPE AB NO.6 X 3/8 PH PAN HD. SMS |
| 19 | PB060030 | | RACK SUPT REPL PB060010 |

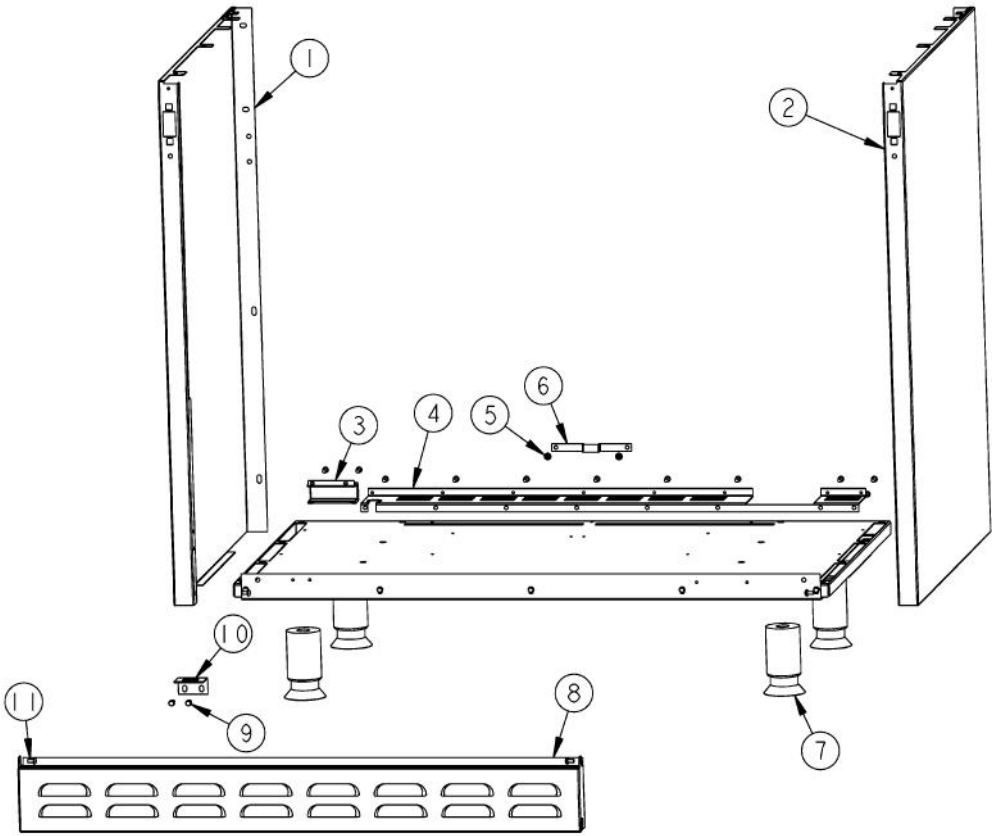


| Ref # | Part Number | Qty. | Description |
|-------|-------------|------|----------------------------------|
| 1 | G9105526 | | OVEN BOTTOM ASSY (VGSC366) |
| 2 | PD020060 | | 10 X 1/2 (5/16)HEX WSHER HD.(T)A |
| 3 | A2004424 | | BURNER COVER (VGSC306) |
| 4 | PB040172 | | 3/8 X 3/8 ORIFICE FITTING |
| 5 | A2004434 | | ORIFICE BRACKET (VGSC306) |
| 6 | B2004415 | | BURNER BRACKET (VGSC306) |
| 7 | PD020048 | | NO.10 X 1/2 TEK 410 SS SCREW |
| 8 | PB040170 | | BAKE IGNITION ELECTRODE |
| 9 | 006200-000 | | U-SHAPE BAKE BURNER 10 NAT. |

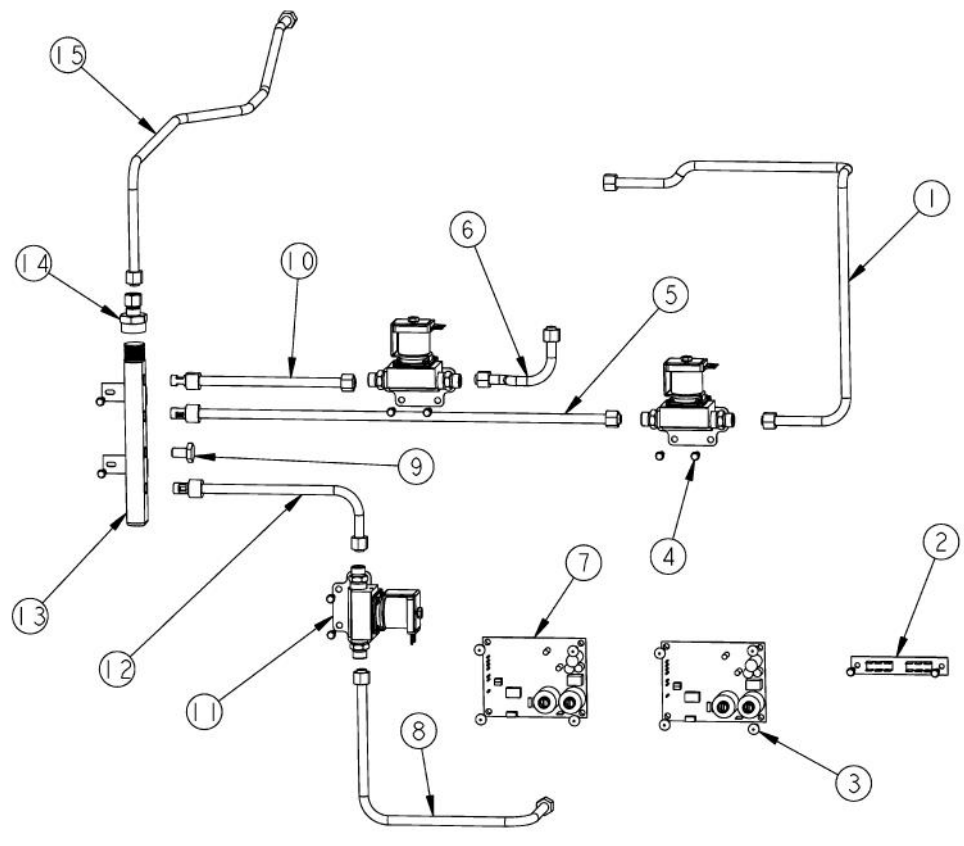


| Ref # | Part Number | Qty. | Description |
|-------|-------------|------|------------------------------------|
| 1 | 000090-000 | | 36 DOOR GASKET |
| 2 | PB070150 | | FIBERGLASS ROPE, 3/8 DIA. |
| 3 | 001399-000 | | DOOR PLUG ASSY PROC 36 |
| 4 | 001398-000 | | DOOR LINER ASSEMBLY PORC 36 |
| 5 | A2002189 | | DOOR GLASS STANDOFF (VDSC) |
| 6 | PC020188 | | DOOR HINGE |
| 7 | 000075-000 | | DOOR HINGE BRACKET |
| 8 | PD020002 | | 10 X 1/2 PH.TR.HD.SMS. |
| 9 | A2002497 | | DOOR GUIDE ANGLE VDSC |
| 10 | PD020032 | | SRW-8(A)X3/8PH.WFR HD 7/16DIAXNICL |
| 11 | B2002798 | | O/S DOOR PANEL XSSX (VDSC36) |
| 11 | C9002798AL | | O/S DOOR PANEL-XALX (VDSC36) |
| 11 | C9002798BK | | O/S DOOR PANEL-XBKX (VDSC36) |
| 11 | C9002798BT | | O/S DOOR PANEL-XBTX (VDSC36) |
| 11 | C9002798BU | | O/S DOOR PANEL-XBUX (VDSC36) |
| 11 | C9002798CB | | O/S DOOR PANEL-CBX (VDSC36) |
| 11 | C9002798EP | | O/S DOOR PANEL-XEPX (VDSC36) |
| 11 | C9002798FG | | O/S DOOR PANEL-XFGX (VDSC36) |
| 11 | C9002798GG | | O/S DOOR PANEL-XGGX (VDSC36) |
| 11 | C9002798LE | | O/S DOOR PANEL-XLEX (VDSC36) |
| 11 | C9002798MJ | | O/S DOOR PANEL_XMJX (VDSC36) |
| 11 | C9002798SG | | O/S DOOR PANEL-XSGX (VDSC36) |
| 11 | C9002798VB | | O/S DOOR PANEL-XVBX (VDSC36) |
| 11 | C9002798WH | | O/S DOOR PANEL-XWHX (VDSC36) |
| 12 | PD030006 | | CAPPED WASHER PAL NUT |
| 13 | PE010030 | | LOGO, 6, PRO, BK |
| 13 | PE010068 | | LOGO, 6, PRO, BK/BR |
| 13 | PE010031 | | LOGO 6 (VGRC) XBK/WHX |
| 13 | PE010076 | | LOGO 6 (VGRC) XBR/WHX |
| 14 | PE030001 | | BRACKET, DOOR, HANDLE |
| 14 | PE030001PVD | | END CAP DOOR HANDLE XBR |
| 15 | PE030006 | | DOOR HANDLE - 36 (VGRC) |
| 15 | PE030013PVD | | DOOR HANDLE (36) PVD |
| 16 | PD010019 | | BLT-1/4-20X3/8HEX WASHER SERATED |
| 17 | PE060031 | | J-MOLD (LARGE WINDOW) |
| 17 | PE060045 | | J-MOLD (LARGE WINDOW) XBRX |
| 18 | PE060030 | | GLASS-OUTER DOOR BK SCREENED,TEMP |
| 19 | PE060039 | | GLASS-HEAT TREATED (HB2) VDSC |
| 20 | PC020223 | | DOOR HINGE (LONG SPRING) NSF |
| 21 | 000932-000 | | DOOR HINGE BRACKET |
| 22 | PD020004 | | 10X3/8PH.HD.TYPE 25 REPL PD040125 |
| 23 | A2002367 | | DOOR GLASS BRKT |
| 24 | A20015329 | | DOOR INSULATION RETAINER |
| 25 | 002561-000 | | 36 DOOR INSULATION |
| 26 | 002562-000 | | 36 DOOR PLUG INSULATION |
| NI | 000957-007 | | DOOR ASSY 36 (AL) |
| NI | 000957-107 | | DOOR ASSEMBLY 36 (ALBR) |
| NI | 000957-002 | | DOOR ASSY 36 (BK) |
| NI | 000957-102 | | DOOR ASSEMBLY 36 (BKBR) |
| NI | 000957-003 | | DOOR ASSY 36 (BT) |
| NI | 000957-103 | | DOOR ASSEMBLY 36 (BTBR) |
| NI | 000957-008 | | DOOR ASSY 36 (BU) |
| NI | 000957-108 | | DOOR ASSEMBLY 36 (BUBR) |
| NI | 000957-013 | | DOOR ASSEMBLY 36 (CB) |
| NI | 000957-113 | | DOOR ASSEMBLY 36 (CBBR) |
| NI | 000957-014 | | DOOR ASSEMBLY 36 (EP) |
| NI | 000957-114 | | DOOR ASSEMBLY 36 (EPBR) |
| NI | 000957-011 | | DOOR ASSEMBLY 36 (FG) |
| NI | 000957-111 | | DOOR ASSEMBLY 36 (FGBR) |
| NI | 000957-005 | | DOOR ASSY 36 (GG) |

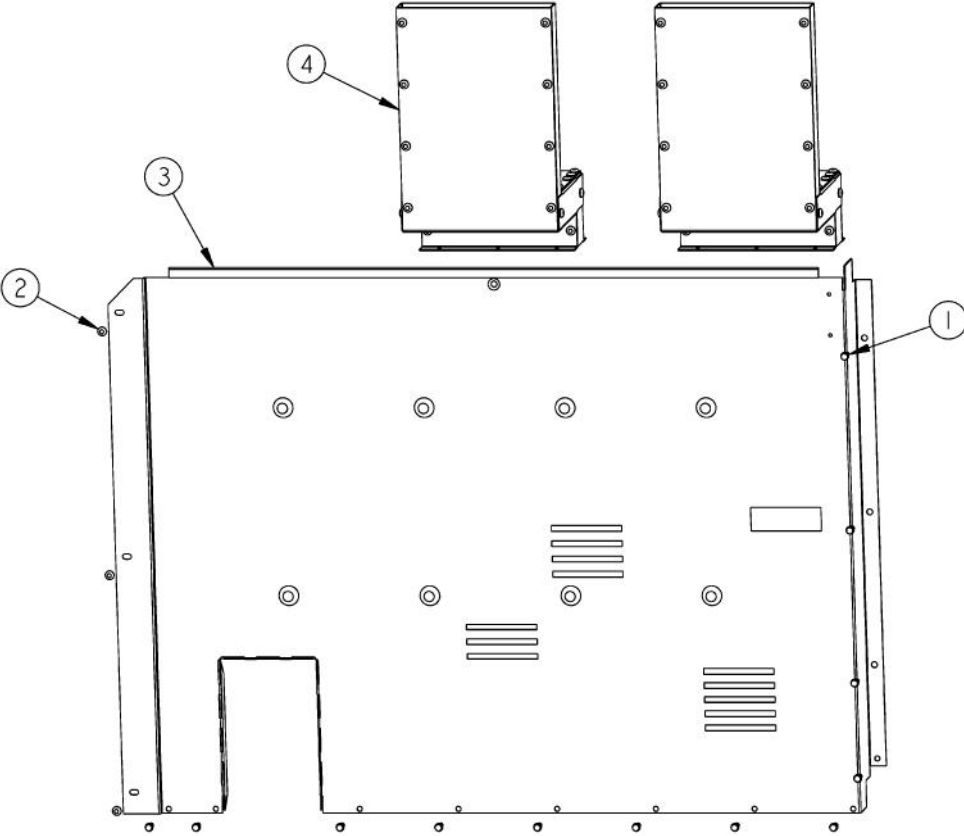
| Ref # | Part Number | Qty. | Description |
|-------|-------------|------|-------------------------|
| NI | 000957-005 | | DOOR ASSY 36 (GG) |
| NI | 000957-105 | | DOOR ASSEMBLY 36 (WHBR) |
| NI | 000957-009 | | DOOR ASSEMBLY 36 (LE) |
| NI | 000957-109 | | DOOR ASSEMBLY 36 (LEBR) |
| NI | 000957-010 | | DOOR ASSEMBLY 36 (MJ) |
| NI | 000957-110 | | DOOR ASSEMBLY 36 (MJBR) |
| NI | 000957-004 | | DOOR ASSY 36 (SG) |
| NI | 000957-104 | | DOOR ASSEMBLY 36 (SGBR) |
| NI | 000957-000 | | DOOR ASSEMBLY 36 |
| NI | 000957-100 | | DOOR ASSEMBLY 36 (SSBR) |
| NI | 000957-012 | | DOOR ASSEMBLY 36 (VB) |
| NI | 000957-112 | | DOOR ASSEMBLY 36 (VBBR) |
| NI | 000957-006 | | DOOR ASSY 36 (WH) |
| NI | 000957-106 | | DOOR ASSEMBLY 36 (WHBR) |



| Ref # | Part Number | Qty. | Description |
|-------|-------------|------|-----------------------------------|
| 1 | B20010180 | | O/S BODY PANEL - LH |
| 1 | C90010180AL | | SIDE PANEL LH XALX |
| 1 | C90010180BK | | SIDE PANEL LH XBKX |
| 1 | C90010180BT | | SIDE PANEL LH XBTX |
| 1 | C90010180BU | | SIDE PANEL LH XBUX |
| 1 | C90010180CB | | SIDE PANEL LH XCBX |
| 1 | C90010180EP | | SIDE PANEL LH XEPX |
| 1 | C90010180FG | | SIDE PANEL LH XFGX |
| 1 | C90010180GG | | SIDE PANEL LH XGGX |
| 1 | C90010180LE | | SIDE PANEL LH XLEX |
| 1 | C90010180MJ | | SIDE PANEL LH XMJX |
| 1 | C90010180SG | | SIDE PANEL LH XSGX |
| 1 | C90010180VB | | SIDE PANEL LH XVBX |
| 1 | C90010180WH | | SIDE PANEL LH XWHX |
| 2 | B20010179 | | O/S BODY PANEL - RH |
| 2 | C90010179AL | | SIDE PANEL RH XALX |
| 2 | C90010179BK | | SIDE PANEL RH XBKX |
| 2 | C90010179BT | | SIDE PANEL RH XBTX |
| 2 | C90010179BU | | SIDE PANEL RH XBUX |
| 2 | C90010179CB | | SIDE PANEL RH XCBX |
| 2 | C90010179EP | | SIDE PANEL RH XEPX |
| 2 | C90010179FG | | SIDE PANEL RH XFGX |
| 2 | C90010179GG | | SIDE PANEL RH XGGX |
| 2 | C90010179LE | | SIDE PANEL RH XLEX |
| 2 | C90010179MJ | | SIDE PANEL RH XMJX |
| 2 | C90010179SG | | SIDE PANEL RH XSGX |
| 2 | C90010179VB | | SIDE PANEL RH XVBX |
| 2 | C90010179WH | | SIDE PANEL RH XWHX |
| 3 | A2004481 | | WIRE CHANNEL RH (VGSC306) |
| 4 | A2005523 | | FLUE HEAT SHIELD |
| 5 | M0210443 | | SCREW-E SM |
| 6 | A2004428 | | REAR BOTTOM BRCKT (VGSC306) |
| 7 | PC030017 | | 4 LEG ASSY |
| 8 | B2001504 | | LWR ACC PNL - RPLCS B2001977 |
| 8 | C9001504AL | | LWR ACC PNL - RPLCS C9001977AL |
| 8 | C9001504BK | | LWR ACC PNL - RPLCS C9001977BK |
| 8 | C9001504BT | | LWR ACC PNL - RPLCS C9001977BT |
| 8 | C9001504BU | | LWR ACC PNL - RPLCS C9001977BU |
| 8 | C9001504CB | | LWR ACC PNL - RPCLS C9001977CB |
| 8 | C9001504EP | | LWR ACC PNL - RPLCS C9001977EP |
| 8 | C9001504FG | | LWR ACC PNL - RPLCS C9001977FG |
| 8 | C9001504GG | | LWR ACC PNL - RPLCS C9001977GG |
| 8 | C9001504LE | | LWR ACC PNL - RPLCS C9001977LE |
| 8 | C9001504MJ | | LWR ACC PNL - RPLCS C9001977MJ |
| 8 | C9001504SG | | LWR ACC PNL - RPCLS C9001977SG |
| 8 | C9001504VB | | LWR ACC PNL - RPLCS C9001977VB |
| 8 | C9001504WH | | LWR ACC PNL - RPLCS C9001977WH |
| 9 | PD020060 | | 10 X 1/2 (5/16)HEX WSHR HD.(T)A |
| 10 | A20012922 | | DISCONNECT POWER BRACKET |
| 11 | PD020004 | | 10X3/8PH.HD.TYPE 25 REPL PD040125 |



| Ref # | Part Number | Qty. | Description |
|-------|-------------|------|--|
| 1 | 001308-000 | | GRIDDLE TUBING |
| 2 | PE050001 | | TERMINAL BOARD |
| 3 | PD020014 | | 10X3/4 PH TR HD SMS |
| 4 | PD020060 | | 10 X 1/2 (5/16)HEX WSHR HD.(T)A |
| 5 | 000922-000 | | 3/8 GRIDDLE TUBING |
| 6 | 000921-000 | | 3/8 ALUM TUBING ELBOW |
| 7 | PA020056 | | TYTRONICS DSI MODULE |
| 8 | 000919-000 | | 3/8 ALUM TUBING |
| 9 | PA010012 | | ROPER PLUG |
| 10 | 001362-000 | | BROIL VALVE TUBING |
| 11 | 003226-000 | 1 | FJT VALVE - NO NUT/FERRELL |
| 12 | 001363-000 | | 3/8 BAKE TUBING |
| 13 | 000863-000 | | 4 PORT MANIFOLD |
| 14 | 001290-000 | | 1/2 NPT TO 3/8 COMPRESSION ADT- FEMALE |
| 15 | 001539-000 | | X-REC PAN SCREW ST ZN-PLT 31.2121.13 |



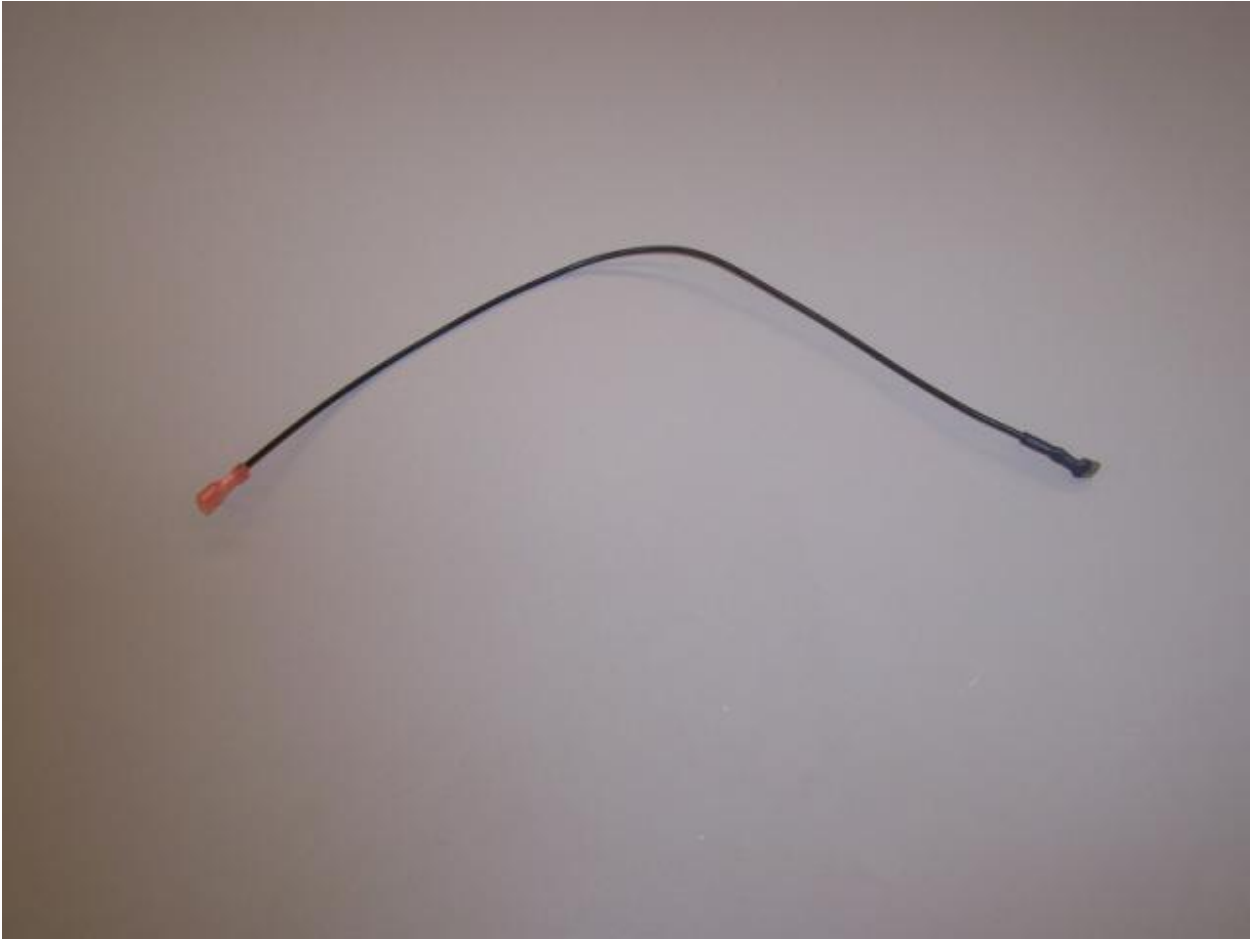
| Ref # | Part Number | Qty. | Description |
|-------|-------------|------|-----------------------------------|
| 1 | PD020060 | | 10 X 1/2 (5/16)HEX WSHER HD.(T)A |
| 2 | PD020004 | | 10X3/8PH.HD.TYPE 25 REPL PD040125 |
| 3 | A2005522 | | OUTSIDE BACK (VGSC366) |
| 4 | 000967-000 | | FLUE ASSY |



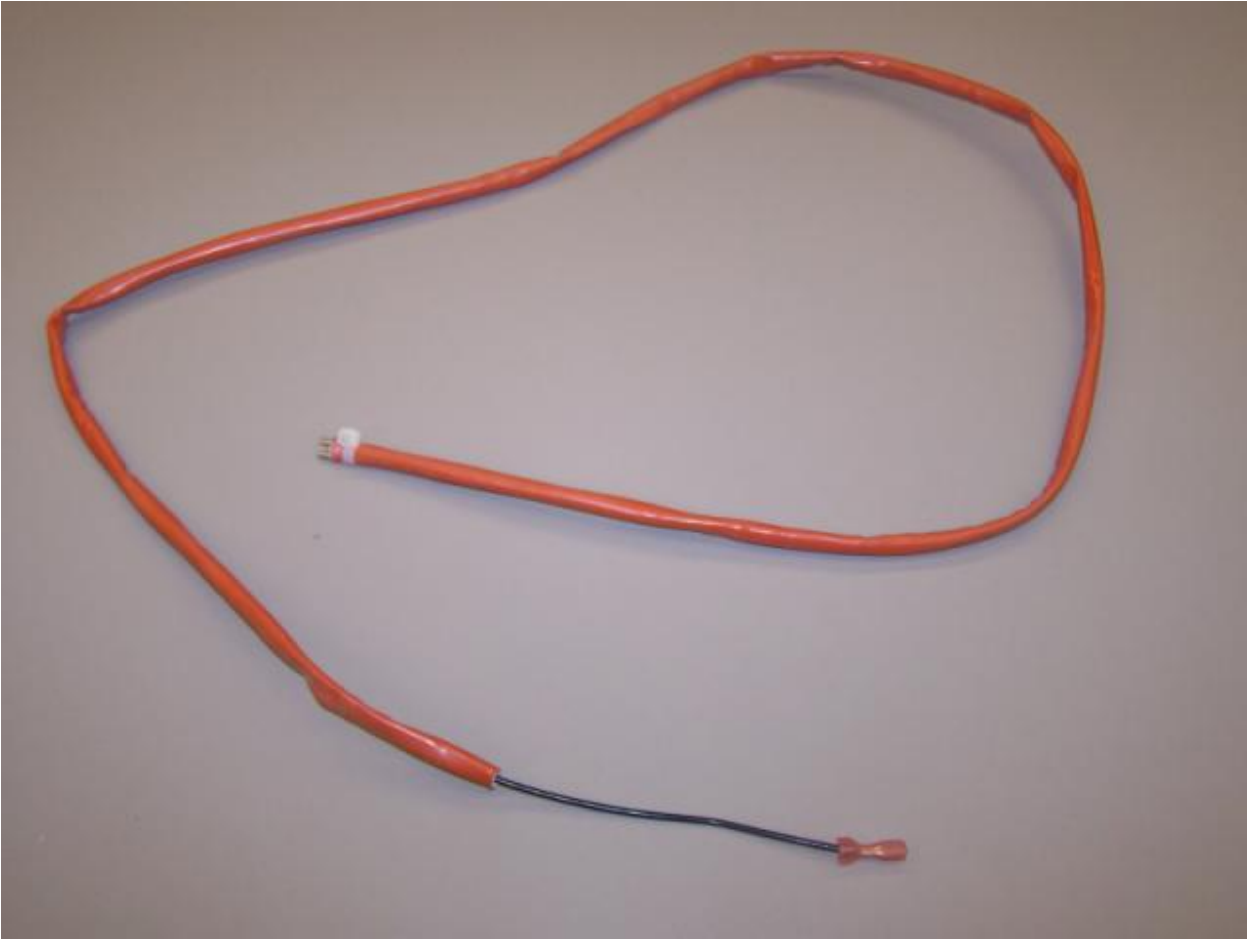
| Ref # | Part Number | Qty. | Description |
|-------|-------------|------|------------------------|
| 1 | G4008493 | | SUPPLY CORD ASSY- VGSU |



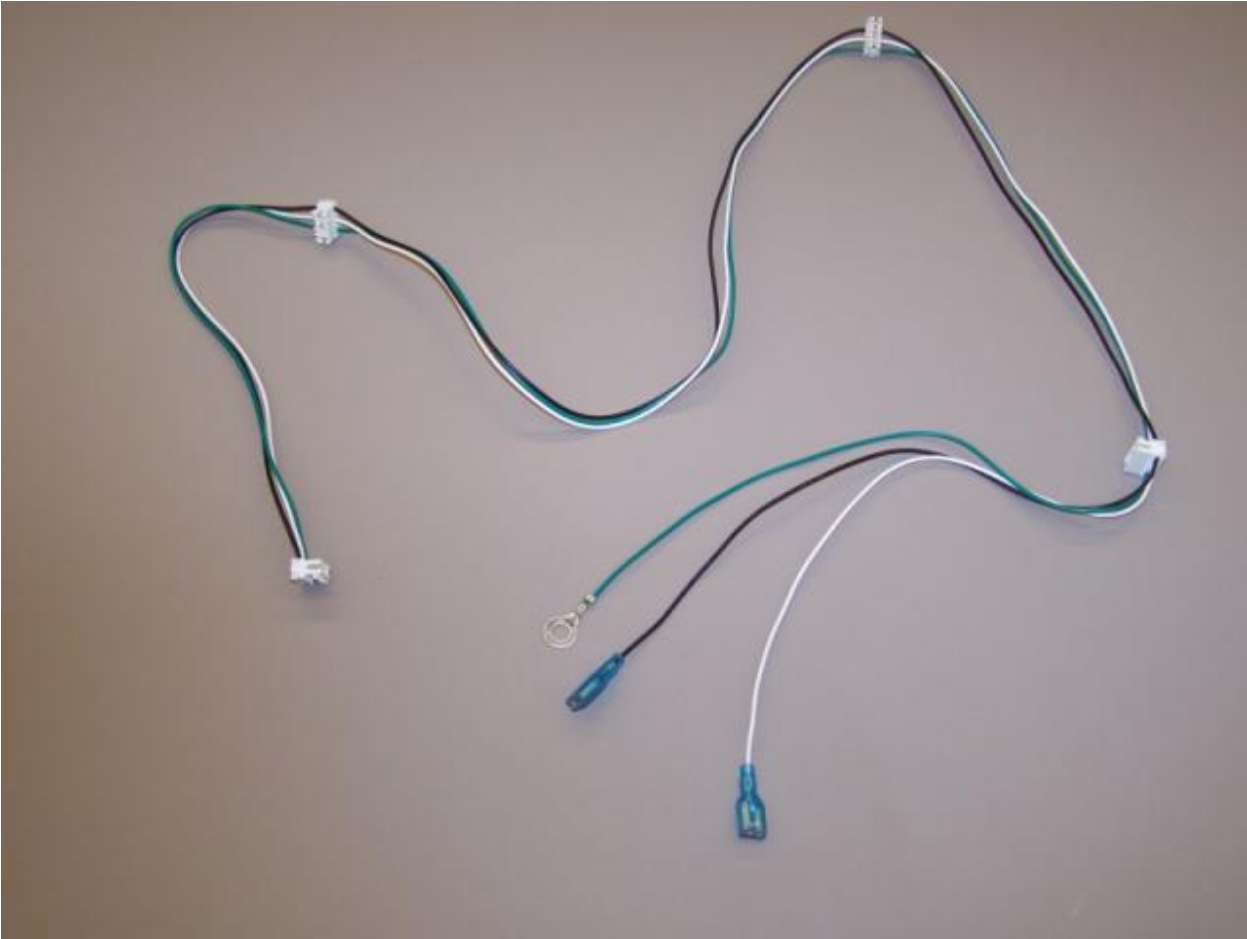
| Ref # | Part Number | Qty. | Description |
|-------|-------------|------|---|
| 1 | PE070245 | | LIGHT EXTENTION HARNESS (VGSC306) (MAY NOT BE USED ON ALL UNITS) |



| Ref # | Part Number | Qty. | Description |
|-------|-------------|------|---------------------------|
| 1 | 001914-000 | | WIRE, ASSY, BROIL IGNITOR |



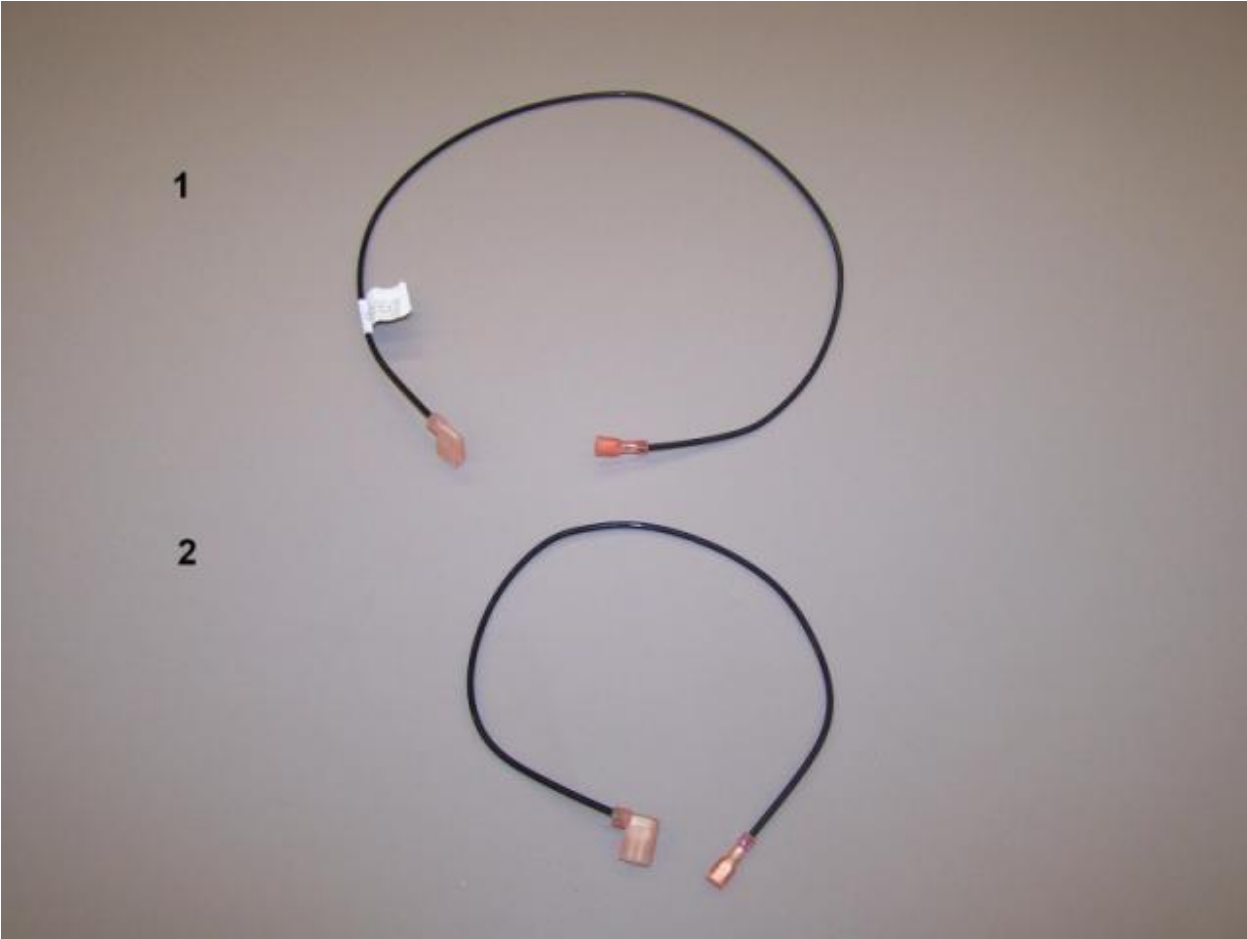
| Ref # | Part Number | Qty. | Description |
|-------|-------------|------|----------------------|
| 1 | 003143-000 | | BAKE IGNITOR WIRE 36 |



| Ref # | Part Number | Qty. | Description |
|-------|-------------|------|-------------------|
| 1 | PE070889 | | IRIS HARNESS - 30 |



| Ref # | Part Number | Qty. | Description |
|-------|-------------|------|--------------------------|
| 1 | 001754-000 | | HARNESS POWER DISCONNECT |



| Ref # | Part Number | Qty. | Description |
|-------|-------------|------|---------------------------------|
| 1 | 000648-000 | | IRIS IGNITER WIRE - REAR |
| 2 | 000647-000 | | IRIS IGNITOR WIRE, FRONT BURNER |



| Ref # | Part Number | Qty. | Description |
|-------|-------------|------|------------------|
| 1 | 001731-000 | | HARNESS VGIC364G |