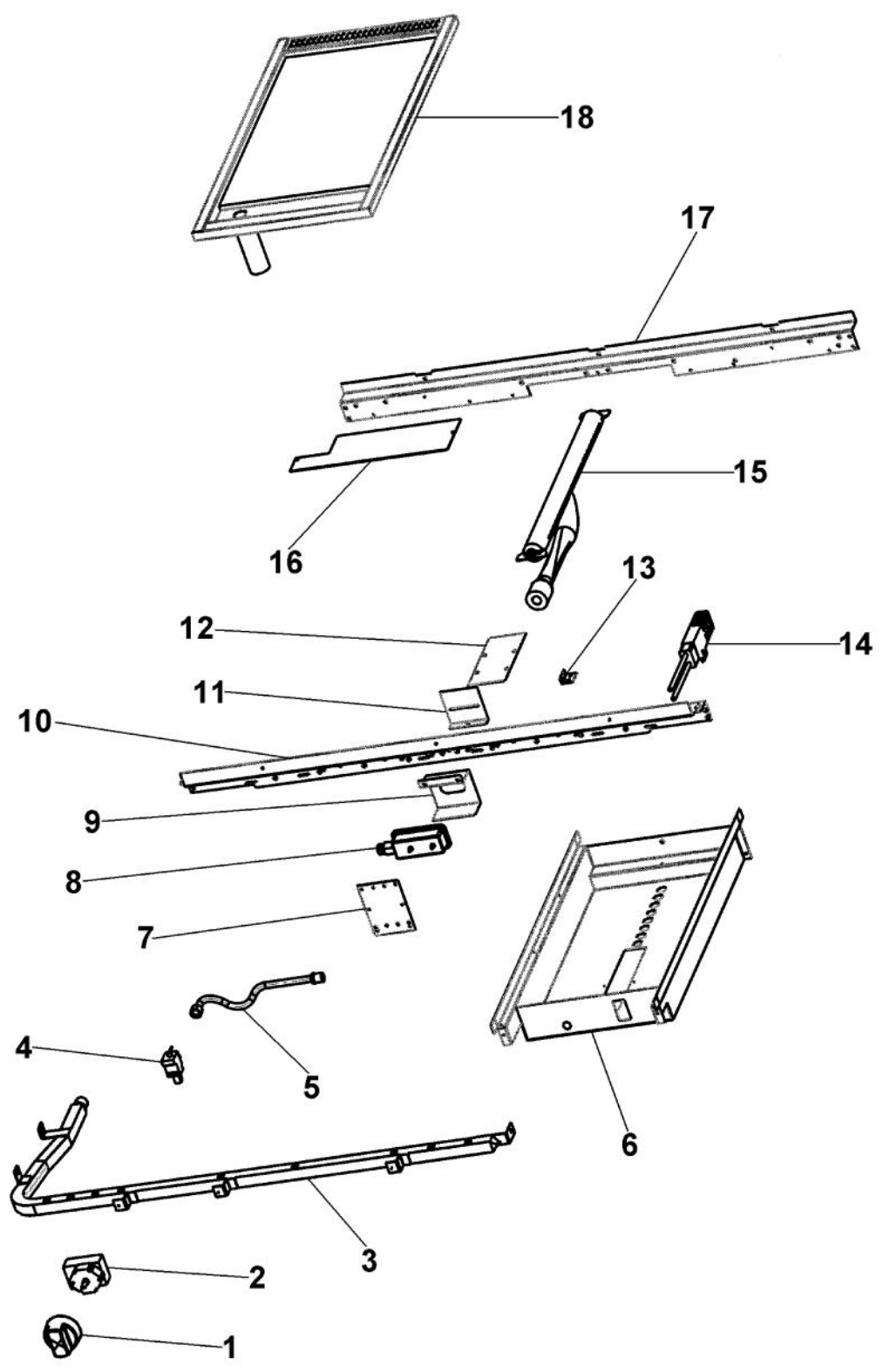


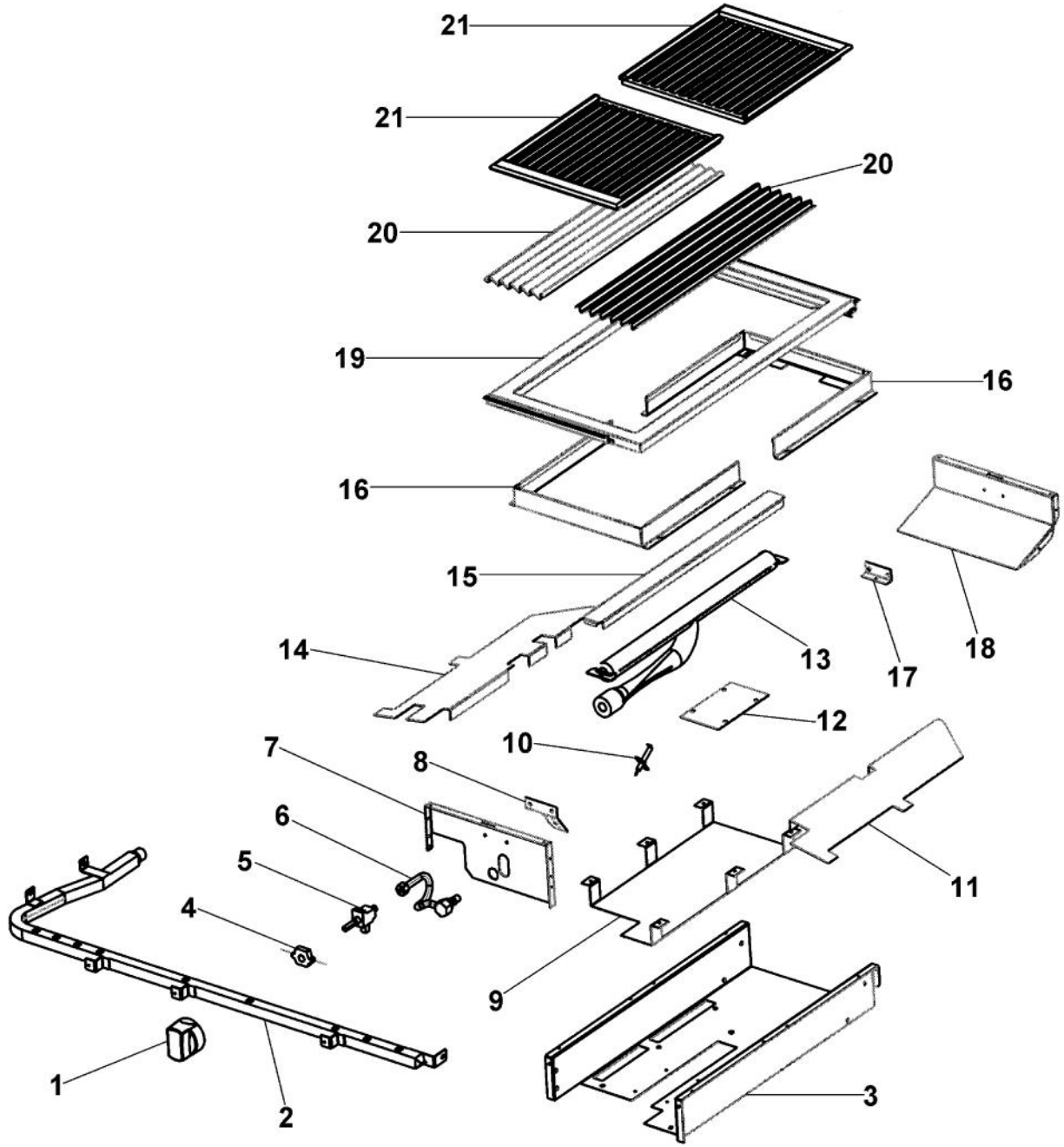
Ref #	Part Number	Qty.	Description
1	PA060054		SEALED GRATE XBKX
1	PA060062		SEALED GRATE GRAY
2	PA080045		BURNER CAP - BK?
2	PA080086		D BURNER CAP XMATTE GRAYX
3	PB050063		BURNER HEAD
4	PB040264		GLAZED ELECTRODE REPLACED BY PB050081
5	ORDER IGNITER		N/A
6	PB050062		BURNER BASE
7	PB070124		GASKET (VDSC3074B) REPLACED BY PB050081
8	G3209546		36 TOP ASSY. VDSC3676B (BEFORE 8/4/03)
8	G3209546AL		MAIN TOP ASSY. (6B) - AL (BEFORE 8/5/03) (BEFORE 8/4/03)
8	G3209546BT		MAIN TOP ASSY. (6B) - BT (BEFORE 8/5/03) (BEFORE 8/4/03)
8	G3209546CB		MAIN TOP ASSY. (6B) - CB (BEFORE 8/5/03) (BEFORE 8/4/03)
8	G3209546EP		MAIN TOP ASSY. (6B) - EP (BEFORE 8/5/03) (BEFORE 8/4/03)
8	G3209546FG		MAIN TOP ASSY. (6B) - FG (BEFORE 8/5/03) (BEFORE 8/4/03)
8	G3209546GG		MAIN TOP ASSY. (6B) - GG (BEFORE 8/5/03) (BEFORE 8/4/03)
8	G3209546LE		MAIN TOP ASSY. (6B) - LE (BEFORE 8/5/03) (BEFORE 8/4/03)
8	G3209546MJ		MAIN TOP ASSY. (6B) - MJ (BEFORE 8/5/03) (BEFORE 8/4/03)
8	G3209546SG		MAIN TOP ASSY. (6B) - SG (BEFORE 8/5/03) (BEFORE 8/4/03)
8	G3209546VB		MAIN TOP ASSY. (6B) - VB (BEFORE 8/5/03) (BEFORE 8/4/03)
8	G3209546WH		36 TOP ASSY (6B) (BEFORE 8/4/03)
8	E9108439AL		MAIN TOP ASSY. (6B) - AL (AFTER 8/5/03) (AFTER 8/4/03)
8	E9108439BK		MAIN TOP (VGRT3626B) XBKX (ON OR AFTER 8/4/03)
8	E9108439BT		MAIN TOP ASSY. (6B) - BT (AFTER 8/5/03) (ON OR AFTER 8/4/03)
8	E9108439CB		MAIN TOP ASSY. (6B) - CB (AFTER 8/5/03) (ON OR AFTER 8/4/03)
8	E9108439EP		MAIN TOP ASSY. (6B) - EP (AFTER 8/5/03) (ON OR AFTER 8/4/03)
8	E9108439FG		MAIN TOP ASSY. (6B) - FG (AFTER 8/5/03) (ON OR AFTER 8/4/03)
8	E9108439GG		MAIN TOP ASSY. (6B) - GG (AFTER 8/5/03) (ON OR AFTER 8/4/03)
8	E9108439LE		MAIN TOP (VGRT3626B) XLEX (ON OR AFTER 8/4/03)
8	E9108439MJ		MAIN TOP ASSY. (6B) - MJ (AFTER 8/5/03) (ON OR AFTER 8/4/03)
8	E9108439SG		MAIN TOP ASSY. (6B) - SG (AFTER 8/5/03) (ON OR AFTER 8/4/03)
8	E9108439VB		MAIN TOP ASSY. (6B) - VB (AFTER 8/5/03) (ON OR AFTER 8/4/03)
8	E9108439WH		MAIN TOP (VGRT3626B) XWHX (ON OR AFTER 8/4/03)
8	G3209547BK		MAIN TOP ASSY. (4G/4Q) - BK (BEFORE 8/4/03)
8	G3209547AL		MAIN TOP ASSY. (4G/4Q) - AL (BEFORE 8/5/03)

Ref #	Part Number	Qty.	Description
8	G3209547AL		MAIN TOP ASSY. (4G/4Q) - AL (BEFORE 8/5/03) (BEFORE 8/4/03)
8	G3209547BT		MAIN TOP ASSY. (4G/4Q) - BT (BEFORE 8/5/03) (BEFORE 8/4/03)
8	G3209547CB		MAIN TOP ASSY. (4G/4Q) - CB (BEFORE 8/5/03) (BEFORE 8/4/03)
8	G3209547EP		MAIN TOP ASSY. (4G/4Q) - EP (BEFORE 8/5/03) (BEFORE 8/4/03)
8	G3209547FG		MAIN TOP ASSY. (4G/4Q) - FG (BEFORE 8/5/03) (BEFORE 8/4/03)
8	G3209547GG		MAIN TOP ASSY. (4G/4Q) - GG (BEFORE 8/5/03) (BEFORE 8/4/03)
8	G3209547LE		MAIN TOP ASSY. (4G/4Q) - LE (BEFORE 8/5/03) (BEFORE 8/4/03)
8	G3209547MJ		MAIN TOP ASSY. (4G/4Q) - MJ (BEFORE 8/5/03) (BEFORE 8/4/03)
8	G3209547SG		MAIN TOP ASSY. (4G/4Q) - SG (BEFORE 8/5/03) (BEFORE 8/4/03)
8	G3209547VB		MAIN TOP ASSY. (4G/4Q) - VB (BEFORE 8/5/03) (BEFORE 8/4/03)
8	G3209547WH		36 TOP ASSY (4G & 4Q) (BEFORE 8/4/03)
8	E9108438BK		MAIN TOP (VGRT4G/Q) XBKX (ON OR AFTER 8/4/03)
8	E9108438AL		MAIN TOP ASSY. (4G/4Q) - BK (AFTER 8/5/03) (ON OR AFTER 8/4/03)
8	E9108438BT		MAIN TOP ASSY. (4G/4Q) - BT (AFTER 8/5/03) (ON OR AFTER 8/4/03)
8	E9108438CB		MAIN TOP ASSY. (4G/4Q) - CB (AFTER 8/5/03) (ON OR AFTER 8/4/03)
8	E9108438EP		MAIN TOP ASSY. (4G/4Q) - EP (AFTER 8/5/03) (ON OR AFTER 8/4/03)
8	E9108438FG		MAIN TOP ASSY. (4G/4Q) - FG (AFTER 8/5/03) (ON OR AFTER 8/4/03)
8	E9108438GG		MAIN TOP ASSY. (4G/4Q) - GG (AFTER 8/5/03) (ON OR AFTER 8/4/03)
8	E9108438LE		MAIN TOP ASSY. (4G/4Q) - LE (AFTER 8/5/03) (ON OR AFTER 8/4/03)
8	E9108438MJ		MAIN TOP ASSY. (4G/4Q) - MJ (AFTER 8/5/03) (ON OR AFTER 8/4/03)
8	E9108438SG		MAIN TOP ASSY. (4G/4Q) - SG (AFTER 8/5/03) (ON OR AFTER 8/4/03)
8	E9108438VB		MAIN TOP ASSY. (4G/4Q) - VB (AFTER 8/5/03) (ON OR AFTER 8/4/03)
8	E9108438WH		MAIN TOP (VGRT4G/Q) XWHX (ON OR AFTER 8/4/03)
9	PA080075		BODY BURNER D (VDSC3074BSS)
10	B2007856		RT SIDE PANEL
11	A2006747		BURNER BOX SIDE RH (VDSC3074B)
12	B2006724		SEALED TOPSIDE TRIM (BEFORE 8/4/03)
12	C9306724BR		SEALED TRIM RH XBRX (BEFORE 8/4/03)
12	B2007868		IC SEALED SIDE TRIM (ON OR AFTER 8/4/03)
12	C9307868BR		IC SEALED SIDE TRIM XBRX (ON OR AFTER 8/4/03)
13	A2006748		BURNER BOX SIDE LH (VDSC3074B)
14	B2007857		LFT SIDE PANEL
15	A2007855		SPARK MODULE BRKT

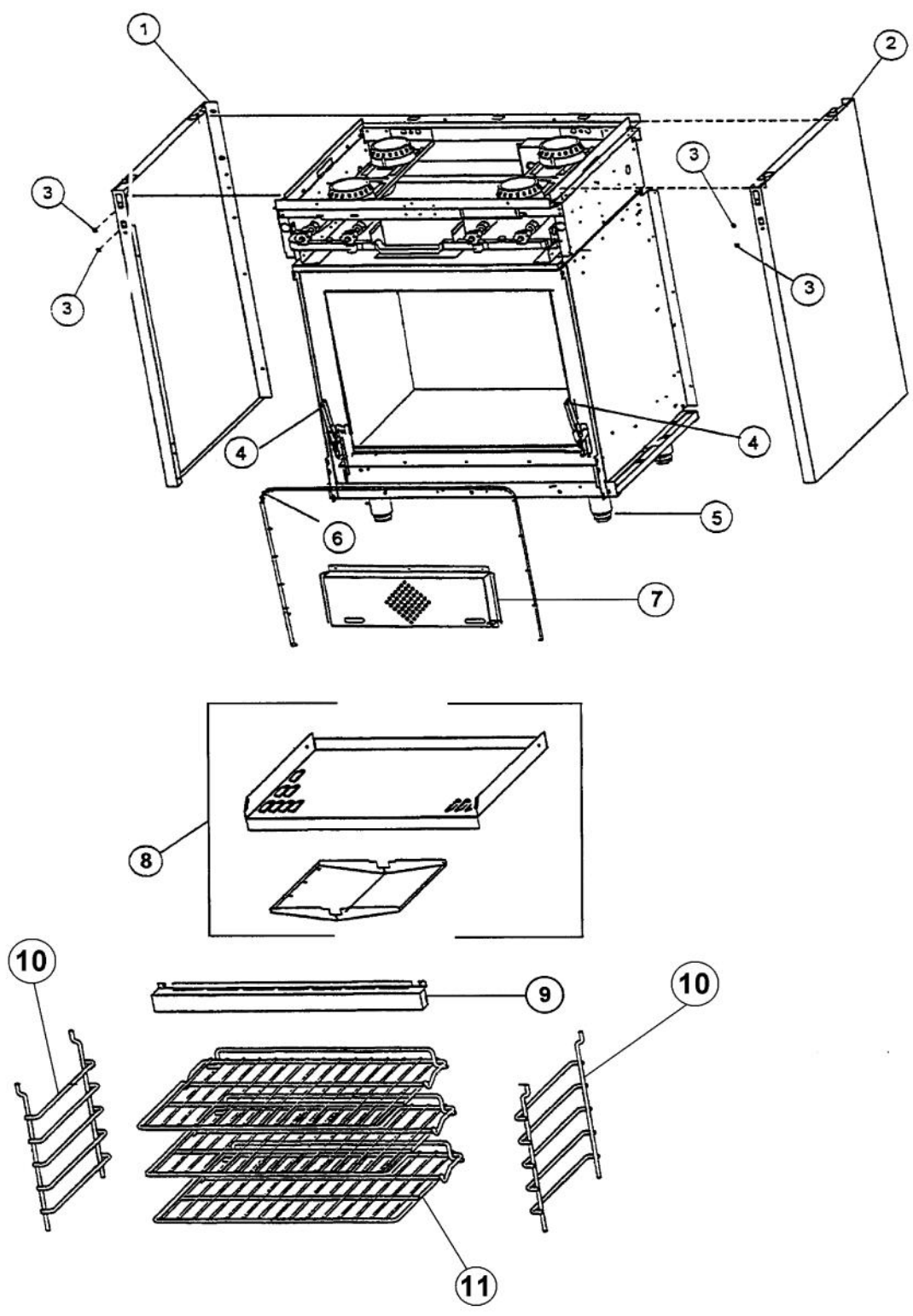
Ref #	Part Number	Qty.	Description
15	A2007855		SPARK MODULE BRKT
16	PA020048		INVENSYS 0+6 RE-IGNITION SPARK MODULE
16	PA020047		INVENSYS 0+4 RE-IGNITION SPARK MODULE
17	PA050114		MANIFOLD
18	G50012679		SEALED BURNER VALVE KIT (BEFORE 02/23/05)
18	PA010158		SUB TO 003517-000 - SEALED BURNER FLARE VALVE (ON OR AFTER 02/23/05)
NI	PB040194		SEALED RANGE ORIFICE (NAT)
19	B9202370		CTRL PAN- (VGRC365-6B)XSLK SCRX
19	B9201281		CTRL PAN - VGRC365-4G XSLK SCRX
19	B9202371		CTRL PAN- (VGRC365-4Q)XSLK SCRX
20	G3009151		36 SEALED LANDING LEDGE ASSY
21	B30011469		FALSE DRIP TRAY HANDLE (WELDED) 36
21	G93011459PVD		DRIP TRAY HANDLE ASSY 36 PVD
21	G3002582		DRIP TRAY HANDLE - 4G/4Q (SS)
21	G9302583PVD		DRIP TRAY HANDLE - BR (4G / 4Q ONLY)
22	G3009719		DRIP TRAY 36 (4G/4Q ONLY)
23	PB020156		16` FLEX TUBING
24	PB020168		BURNER TUBING
25	PB010206		VGSC,VGRC,VGRT TOP BURNER KNOB(BK)
25	PB010207		VGSC,VGRC,VGRT TOP BURNER KNOB(WH)
NI	PA020029		SWITCH SPACER
26	PA020015		SPARK IGNITION SWITCH (BEFORE 2/23/05)
26	PA020045		IGNITOR SWITCH (ON OR AFTER 2/23/05)
NI	PE070070		DISCONNECT BLOCK XALX 770020-1
NI	PE070071		DISCONNECT BLOCK XALX 770027-1
NI	PE070128		SUPPLY CORD (VGRT/SC/SS/RC)
NI	PA070001		PRESSURE REGULATOR (NAT.)
27	PB010208		BEZEL, CHROME PLATE
27	PB010209		BEZEL BRASS
28	PK000008		DRIP TRAY GUIDE - RH
29	PK000009		RUNNER, DRIP TRAY - LH (VGRT)
30	G3206741		BURNER BASE / IGNITER ASSY
NI	PB080011		GREASE PAN
31	PE050016		OVEN LIGHT SWITCH - XBKX (WES-GAR)
31	PE050017		OVEN LIGHT SWITCH - XWHX (WES-GAR)
32	PB010036		THERMOSTAT BAKE/BROIL
33	PB010099		T/STAT B/B KNOB BK REPL PB010039BKK
33	PB010100		THERMOSTAT BAKE/BROIL KNOB XWHX N/S
34	PB010083		SINGLE THERMAL VALVE LH (OVEN)
NI	G50013870		VGIC367-6B BURNER SUPPORT SERVICE KIT
NI	G50013871		VGIC367-4Q BURNER SUPPORT SERVICE KIT
NI	G50013872		VGIC367-4G BURNER SUPPORT SERVICE KIT
35	PA010100		VENTURI D (VDSC3074B)



Ref #	Part Number	Qty.	Description
1	PB010103		GRIDDLE KNOB N/S XBKX
1	PB010104		GRIDDLE KNOB N/S XWHX
2	PB010035		THERMOSTAT BAKE
3	PA050114		MANIFOLD
4	PB030002		SUB TO 003862-000 - SHUTOFF VALVE (BEFORE 2/23/05)
4	PB030007		SHUT OFF VALVE (ON OR AFTER 2/23/05)
5	PB020116		TUBING - 10 FLEXIBLE 12 & 24
6	A2007862		GRIDDLE BOX (VGIC3674G)
7	A1001198		THERMAL VALVE BRKT
8	PB010004		SINGLE SAFETY VALVE (NAT. GRIDDLE)
9	A2001630		GRIDDLE VALVE COVER (VGRC)
10	A2001105		FRONT SUPT (36)
11	A2009580		GRIDDLE BURNER BRACKET
12	A1001636		GRIDDLE VENTURI COVER
13	A2001300		GRIDDLE IGNITOR BRKT
14	PB040001		IGNITOR - (ALL RANGES)
15	PB050074		SEALED GRIDDLE BURNER
16	A1009565		HEAT SHIELD PLATE
17	A2001909		REAR BURNER SUPT-36(VGRT/RC)
18	G3009156		GRIDDLE ASSEMBLY



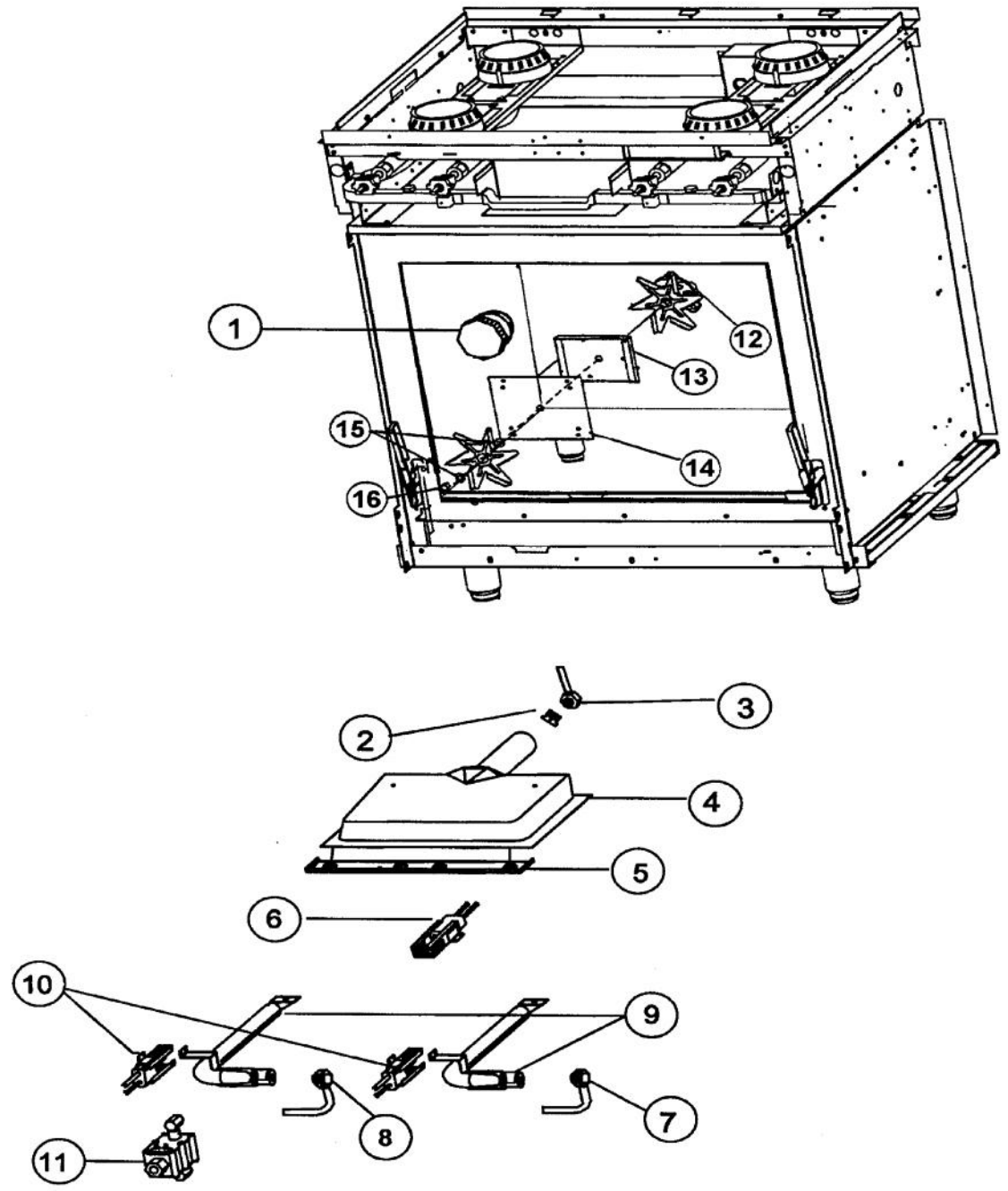
Ref #	Part Number	Qty.	Description
1	PA010039		TOP GRILL KNOBxBKX (VGRC) (N/STYLE
1	PA010040		TOP GRILL KNOBXWHX (VGRC) (N/STYLE
2	PA050114		MANIFOLD
3	A2001852		GRILL BOX - (VGRC605)
4	PA020015		SPARK IGNITION SWITCH
5	PA010030		GRILL VALVE-(VGRT)
6	PB020025		TUBING-GRILL (REVISED) REP PB020021
7	A2001631		GRILL BOX FRONT (VGRC)
8	A2001633		GRILL FRONT SPARKER BRKT (VGRC)
9	A2001863		GRILL BTM SHIELD (VGRC605)
10	PA020014		SPARK IGNITOR
11	B2001857		GRILL HEAT DEFLECTOR-RH (VGRC60)
12	A1001862		GRILL VENTURI COVER (VGRC605)
13	PB050077		GRILL BURNER
14	B2001856		GRILL HEAT DEFLECTOR-LH (VGRC60)
15	B2009866		SEALED FLAME SHIELD
16	A2009809		SHIELD GRATE BRACKET
17	A2001132		REAR GRILL BURNER BRKT (VGRT)
18	A2001855		GRILL BACK - (VGRC605)
19	G9109811		GRILL SUPT ASSY XBKX
20	E9109810		FLAVOR GRID
21	PA060058		GRILL GRATE - MATT XBKX RE PA060028
	PA060059		GRILL GRATE -MATT XGRX RE PA060029



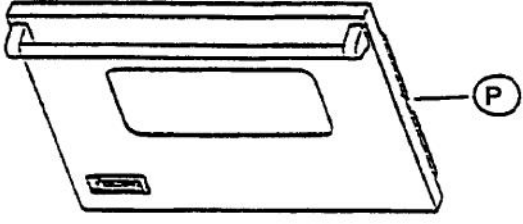
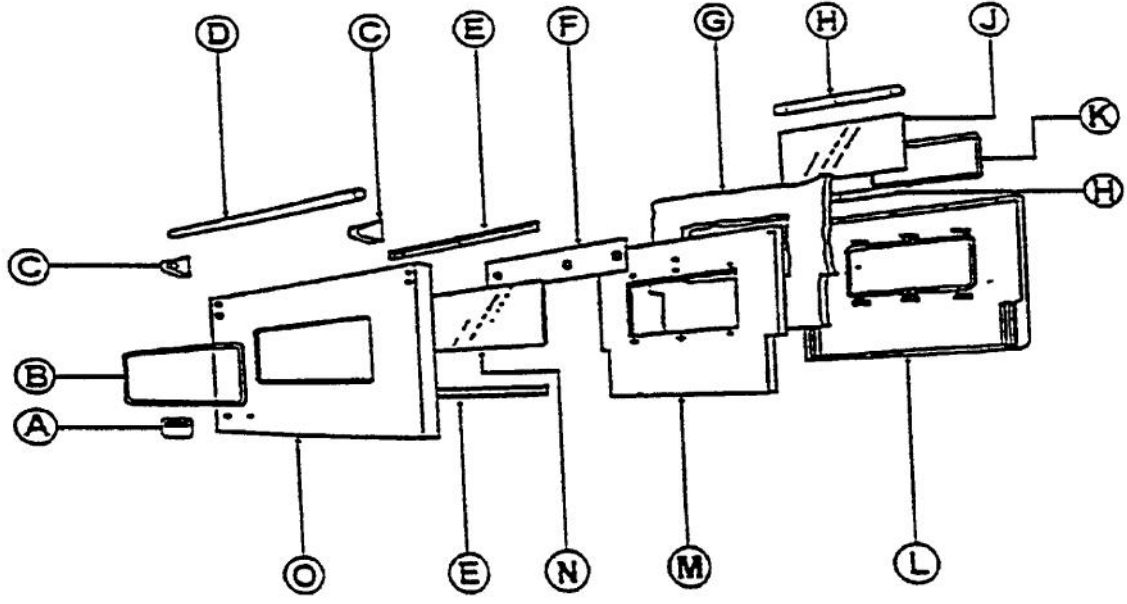
Ref #	Part Number	Qty.	Description
1	B2006750		O/S BODY PANEL-LH (VDSC3074) (BEFORE 8/4/03)
1	C9006750AL		O/S BODY PANEL-LH XALX (VDSC) (BEFORE 8/4/03)
1	C9006750BK		O/S BODY PANEL-LH XBKX (VDSC) (BEFORE 8/4/03)
1	C9006750BT		O/S BODY PANEL-LH XBTX (VDSC) (BEFORE 8/4/03)
1	C9006750BU		O/S BODY PANEL-LH XBUX (VDSC) (BEFORE 8/4/03)
1	C9006750CB		O/S BODY PANEL-LH XCBX (VDSC) (BEFORE 8/4/03)
1	C9006750EP		O/S BODY PANEL-LH XEPX (VDSC) (BEFORE 8/4/03)
1	C9006750FG		O/S BODY PANEL-LH XFGX (VDSC) (BEFORE 8/4/03)
1	C9006750GG		O/S BODY PANEL-LH XGGX (VDSC) (BEFORE 8/4/03)
1	C9006750LE		O/S BODY PANEL-LH XLEX (VDSC) (BEFORE 8/4/03)
1	C9006750MJ		O/S BODY PANEL-LH XMJX (VDSC) (BEFORE 8/4/03)
1	C9006750SG		O/S BODY PANEL-LH XSGX (VDSC) (BEFORE 8/4/03)
1	C9006750VB		O/S BODY PANEL-LH XVBX (VDSC) (BEFORE 8/4/03)
1	C9006750WH		O/S BODY PANEL-LH XWHX (VDSC) (BEFORE 8/4/03)
1	B2007870		IC SEALED LH SIDE PANEL (ON OR AFTER 8/4/03)
1	C9007870AL		IC SEALED LH SIDE PANEL XALX (ON OR AFTER 8/4/03)
1	C9007870BK		IC SEALED LH SIDE PANEL XBKX (ON OR AFTER 8/4/03)
1	C9007870BT		IC SEALED LH SIDE PANEL XBTX (ON OR AFTER 8/4/03)
1	C9007870BU		IC SEALED LH SIDE PANEL XBUX (ON OR AFTER 8/4/03)
1	C9007870CB		IC SEALED LH SIDE PANEL XCBX (ON OR AFTER 8/4/03)
1	C9007870EP		IC SEALED LH SIDE PANEL XEPX (ON OR AFTER 8/4/03)
1	C9007870FG		IC SEALED LH SIDE PANEL XFGX (ON OR AFTER 8/4/03)
1	C9007870GG		IC SEALED LH SIDE PANEL XGGX (ON OR AFTER 8/4/03)
1	C9007870LE		IC SEALED LH SIDE PANEL XLEX (ON OR AFTER 8/4/03)
1	C9007870MJ		IC SEALED LH SIDE PANEL XMJX (ON OR AFTER 8/4/03)
1	C9007870SG		IC SEALED LH SIDE PANEL XSGX (ON OR AFTER 8/4/03)
1	C9007870VB		IC SEALED LH SIDE PANEL XVBX (ON OR AFTER 8/4/03)
1	C9007870WH		IC SEALED LH SIDE PANEL XWHX (ON OR AFTER 8/4/03)
2	B2006749		O/S BODY PANEL-RH (VDSC3074B) (BEFORE 8/4/03)
2	C9006749AL		O/S BODY PANEL-RH XALX (VDSC) (BEFORE 8/4/03)

Ref #	Part Number	Qty.	Description
2	C9006749BK		(BEFORE 8/4/03) O/S BODY PANEL-RH XBKX (VDSC)
2	C9006749BT		(BEFORE 8/4/03) O/S BODY PANEL-RH XBTX (VDSC)
2	C9006749BU		(BEFORE 8/4/03) O/S BODY PANEL-RH XBUX (VDSC)
2	C9006749CB		(BEFORE 8/4/03) O/S BODY PANEL-RH XCBX (VDSC)
2	C9006749EP		(BEFORE 8/4/03) O/S BODY PANEL-RH XEPX (VDSC)
2	C9006749FG		(BEFORE 8/4/03) O/S BODY PANEL-RH XFGX (VDSC)
2	C9006749GG		(BEFORE 8/4/03) O/S BODY PANEL-RH XGGX (VDSC)
2	C9006749LE		(BEFORE 8/4/03) O/S BODY PANEL-RH XLEX (VDSC)
2	C9006749MJ		(BEFORE 8/4/03) O/S BODY PANEL-RH XMJX (VDSC)
2	C9006749SG		(BEFORE 8/4/03) O/S BODY PANEL-RH XSGX (VDSC)
2	C9006749VB		(BEFORE 8/4/03) O/S BODY PANEL-RH XVBX (VDSC)
2	C9006749WH		(BEFORE 8/4/03) O/S BODY PANEL-RH XWHX (VDSC)
2	B2007869		IC SEALED RH SIDE PANEL (ON OR AFTER 8/4/03)
2	C9007869AL		IC SEALED RH SIDE PANEL XALX (ON OR AFTER 8/4/03)
2	C9007869BK		IC SEALED RH SIDE PANEL XBKX (ON OR AFTER 8/4/03)
2	C9007869BT		IC SEALED RH SIDE PANEL XBTX (ON OR AFTER 8/4/03)
2	C9007869BU		SEALED RH SIDE PANEL XBUX (ON OR AFTER 8/4/03)
2	C9007869CB		IC SEALED RH SIDE PANEL XCBX (ON OR AFTER 8/4/03)
2	C9007869EP		IC SEALED RH SIDE PANEL XEPX (ON OR AFTER 8/4/03)
2	C9007869FG		IC SEALED RH SIDE PANEL XFGX (ON OR AFTER 8/4/03)
2	C9007869GG		IC SEALED RH SIDE PANEL XGGX (ON OR AFTER 8/4/03)
2	C9007869LE		IC SEALED RH SIDE PANEL XLEX (ON OR AFTER 8/4/03)
2	C9007869MJ		IC SEALED RH SIDE PANEL XMJX (ON OR AFTER 8/4/03)
2	C9007869SG		IC SEALED RH SIDE PANEL XSGX (ON OR AFTER 8/4/03)
2	C9007869VB		IC SEALED RH SIDE PANEL XVBX (ON OR AFTER 8/4/03)
2	C9007869WH		IC SEALED RH SIDE PANEL XWHX (ON OR AFTER 8/4/03)
3	PD030005		SELF RETAINING NUT
4	PC020009		HINGE ASSY (BROWN)
5	PC030017		4 LEG ASSY
6	PB070036		OVEN DR GASKET (VGSS36)
7	G9101371		CONVECTION FAN COVER ASSY(VGSC305)
8	G3204252		BTM PAN ASSY REPL G9101985
9	B2001504		LWR ACC PNL - RPLCS B2001977

Ref #	Part Number	Qty.	Description
9	B2001504		LWR ACC PNL - RPLCS B2001977
9	C9001504AL		LWR ACC PNL - RPLCS C9001977AL
9	C9001504BK		LWR ACC PNL - RPLCS C9001977BK
9	C9001504BT		LWR ACC PNL - RPLCS C9001977BT
9	C9001504BU		LWR ACC PNL - RPLCS C9001977BU
9	C9001504CB		LWR ACC PNL - RPLCS C9001977CB
9	C9001504EP		LWR ACC PNL - RPLCS C9001977EP
9	C9001504FG		LWR ACC PNL - RPLCS C9001977FG
9	C9001504GG		LWR ACC PNL - RPLCS C9001977GG
9	C9001504LE		LWR ACC PNL - RPLCS C9001977LE
9	C9001504LN		LWR ACC PNL - RPLCS C9001977LN
9	C9001504MJ		LWR ACC PNL - RPLCS C9001977MJ
9	C9001504PL		LWR ACC PNL - RPLCS C9001977PL
9	C9001504SG		LWR ACC PNL - RPLCS C9001977SG
9	C9001504VB		LWR ACC PNL - RPLCS C9001977VB
9	C9001504WH		LWR ACC PNL - RPLCS C9001977WH
NI	A2008456		HINGE POCKET COVER,VGIC RH
NI	A2008457		HINGE POCKET COVER,VGIC LH
10	PB060030		RACK SUPT REPL PB060010
11	PB060039		RACK REPL PB060017



Ref #	Part Number	Qty.	Description
1	PE050009		OVEN LIGHT SOCKET - 36 BUILT-IN
2	PB040040		ORIFICE-IR BURNER (VGSC)
2	PB040027		IR BUR.SPUD ORF. - NO.56 LP
3	PB020060		TUBING - BROIL-SAFETY VALVE(VGIS36)
NI	PD030018		PALNUT - 3/4-16
4	G3001876		IR BURNER ASSY (VGSC/RC) N/S
5	B2001448		IR BROIL SUPT (FRONT)
5	B2002261		FRONT I/R BROILER SUPPORT BRACKET
6	PB040001		IGNITOR - (ALL RANGES)
7	PB020043		BAKE SFTY VLVE/RH BAKE TUBING-365
8	PB020042		BAKE SFTY VLVE/LH BAKE TUBING-365
9	PB050012		OVEN BURNER REPL PB050009
10	PB040001		IGNITOR - (ALL RANGES)
11	PB010084		DUAL THERMAL BI-MTL GAS CTRL VALVE
NI	E9101452		FLAME SPREADER 30 (VGSS)
NI	PB020048		TUBING I/R BROILER
NI	PB020060		TUBING - BROIL-SAFETY VALVE(VGIS36)
12	PE050057		CONVECTION FAN (VGSC306)
13	A2002595		CONVECTION FAN BOX (VDSC)
14	A1002596		CONVECTION FAN COVER (VDSC)
15	PD030035		CONVECTION FAN NUT
16	PE050035		CONVECTION FAN BLADE
NI	A2008467		INSULATION SHIELD
NI	PE070339		WIRING KIT (VGIC3656B)
NI	PE070341		WIRING KIT (VGIC3654G)
NI	PE070448		WIRING HARNESS-VGIC3654Q
NI	PB040057		ORIFICE HOOD-NO.46
NI	PB040036		ORIFICE HOOD-NO.57 (LP)
NI	006200-000		U-SHAPE BAKE BURNER 10 NAT.
NI	003226-000	1	FJT VALVE - NO NUT/FERRELL



Ref #	Part Number	Qty.	Description
A	PE010030		LOGO, 6, PRO, BK
A	PE010031		LOGO 6 (VGRC) XBK/WHX
A	PE010068		LOGO, 6, PRO, BK/BR
A	PE010076		LOGO 6 (VGRC) XBR/WHX
B	PE060007		J-MOLD (1 RADIUS)
B	PE060020		J-MOLD (VGSO OVN DOOR) XBRX
C	PE030001		BRACKET, DOOR, HANDLE
C	PE030001PVD		END CAP DOOR HANDLE XBR
D	PE030006		DOOR HANDLE - 36 (VGRC)
D	PE030013PVD		DOOR HANDLE (36) PVD
E	A2001447		OUTER DOOR GLASS RETAINER
F	A1001381		DOOR HEAT BAFFLE (VGSC/VGSS)
G	PB070034		INSULATION-TRS-10 1 X 20 X 3'
H	A2001480		INNER DOOR GLASS RETAINER
J	PE060008		GLASS REPL PE060009
K	PB070014		DOOR GLASS SEAL STRIP - WINDOW DRS.
L	H9101988		DOOR LINER ASSY W/W (VGSS36)
M	G3004865		DOOR INSUL. RETAINER ASSY(VGIC36)
N	PE060018		OVEN GLASS-TEMPERED,SCREENEDXBKX
O	H3009179		OVEN DOOR PANEL WELD ASSY 36 SS
O	H9009180AL		OVEN DOOR PANEL ASSY 36 XALX
O	H9009180BK		OVEN DOOR PANEL ASSY 36 XBKX
O	H9009180BT		OVEN DOOR PANEL ASSY 36 XBTX
O	H9009180BU		OVEN DOOR PANEL ASSY 36 XBUX
O	H9009180CB		OVEN DOOR PANEL ASSY 36 XCBX
O	H9009180EP		OVEN DOOR PANEL ASSY 36 XEPX
O	H9009180FG		OVEN DOOR PANEL ASSY 36 XFGX
O	H9009180GG		OVEN DOOR PANEL ASSY 36 XGGX
O	H9009180LE		OVEN DOOR PANEL ASSY 36 XLEX
O	H9009180LN		OUTER DOOR PANEL - LN
O	H9009180MJ		OVEN DOOR PANEL ASSY 36 XMJX
O	H9009180PL		OVEN DOOR PANEL ASSY 36 XPLX
O	H9009180SG		OVEN DOOR PANEL ASSY 36 XSGX
O	H9009180VB		OVEN DOOR PANEL ASSY 36 XVBX
O	H9009180WH		OVEN DOOR PANEL ASSY 36 XWHX
P	G3209188AL		DOOR ASSY 36 XALX
P	G3209188ALBR		DOOR ASSY 36 XALBRX
P	G3209188BK		DOOR ASSY 36 XBKX
P	G3209188BKBR		DOOR ASSY 36 XBKBRX
P	G3209188BT		DOOR ASSY 36 XBTX
P	G3209188BTBR		DOOR ASSY 36 XBTBRX
P	G3209188BU		DOOR ASSY 36 XBUX
P	G3209188BUBR		DOOR ASSY 36 XBUBRX
P	G3209188CB		DOOR ASSY 36 XCBX
P	G3209188CBBR		DOOR ASSY 36 XCBBRX
P	G3209188EP		DOOR ASSY 36 XEPX
P	G3209188EPBR		DOOR ASSY 36 XEPBRX
P	G3209188FG		DOOR ASSY 36 XFGX
P	G3209188FGBR		DOOR ASSY 36 XFGBRX
P	G3209188GG		DOOR ASSY 36 XGGX
P	G3209188GGBR		DOOR ASSY 36 XGGBRX
P	G3209188LE		DOOR ASSY 36 XLEX
P	G3209188LEBR		DOOR ASSY 36 XLEBRX
P	G3209188LN		COMPLETE DOOR ASSY. - LN
P	G3209188LNBR		COMPLETE DOOR ASSY. - LNBR
P	G3209188MJ		DOOR ASSY 36 XMJX
P	G3209188MJBR		DOOR ASSY 36 XMJBRX
P	G3209188PL		COMPLETE DOOR ASSY. - PL
P	G3209188PLBR		COMPLETE DOOR ASSY. - PLBR
P	G3209188SG		DOOR ASSY 36 XSGX

Ref #	Part Number	Qty.	Description
P	G3209188SG		DOOR ASSY 36 XSGX
P	G3209188SGBR		DOOR ASSY 36 XSGBRX
P	G3209187SS		DOOR ASSY 36 XSSX
P	G3209187SSBR		DOOR ASSY 36 XSSBRX
P	G3209188VB		DOOR ASSY 36 XVBX
P	G3209188VBBR		DOOR ASSY 36 XVBBRX
P	G3209188WH		DOOR ASSY 36 XWHX
P	G3209188WHBR		DOOR ASSY 36 XWHBRX
NI	PD020032		SRW-8(A)X3/8PH.WFR HD 7/16DIAXNICL