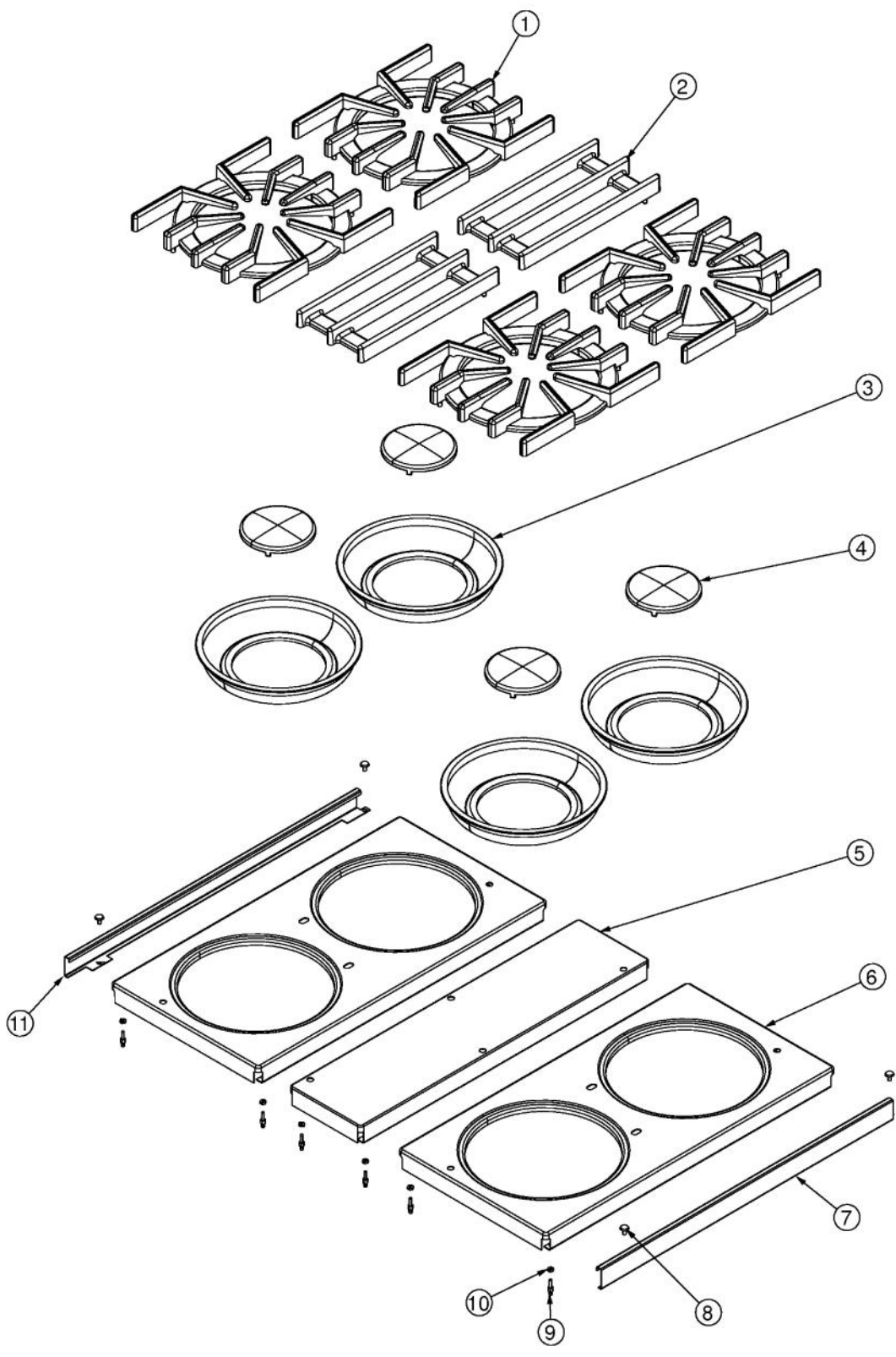
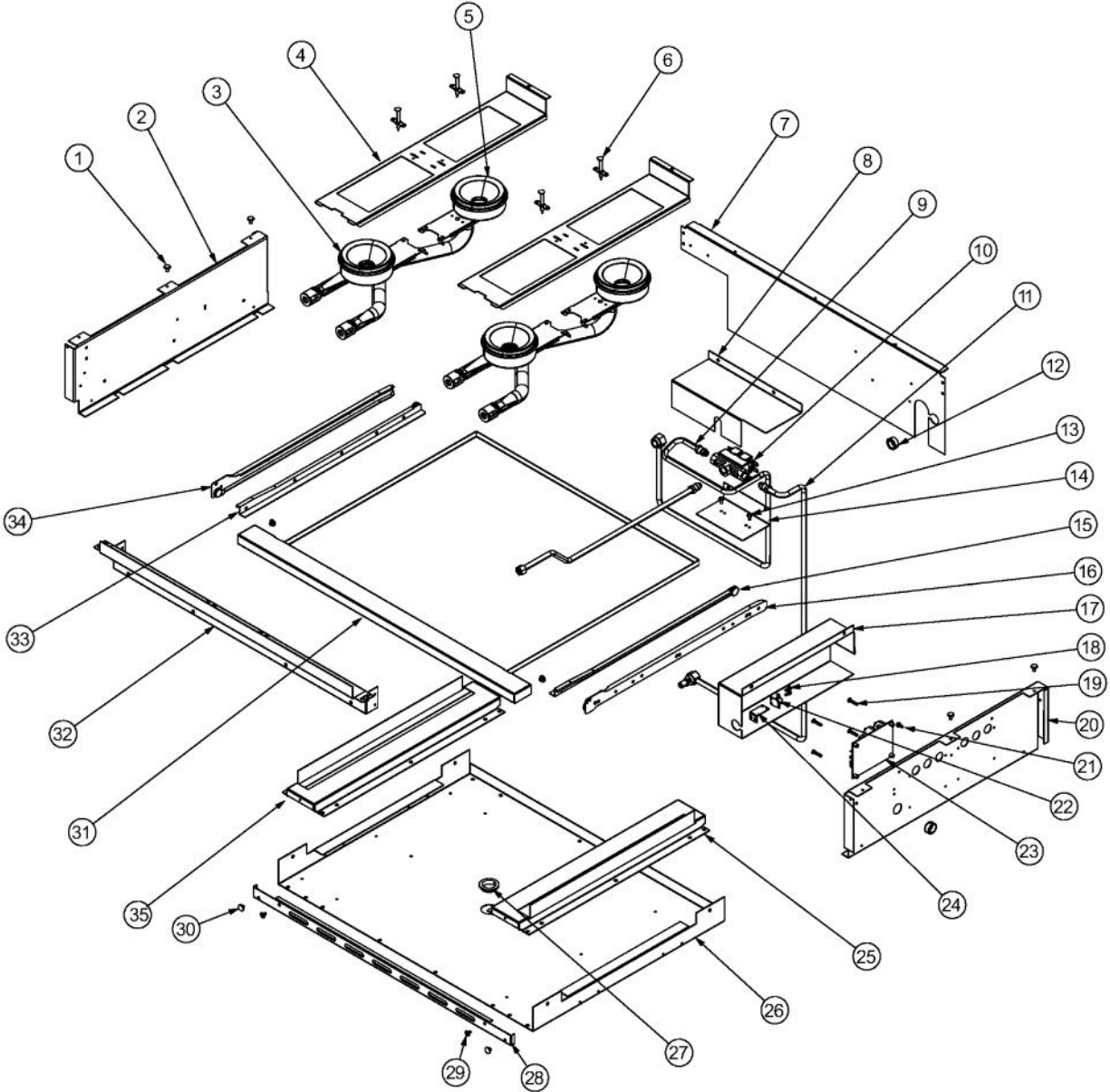


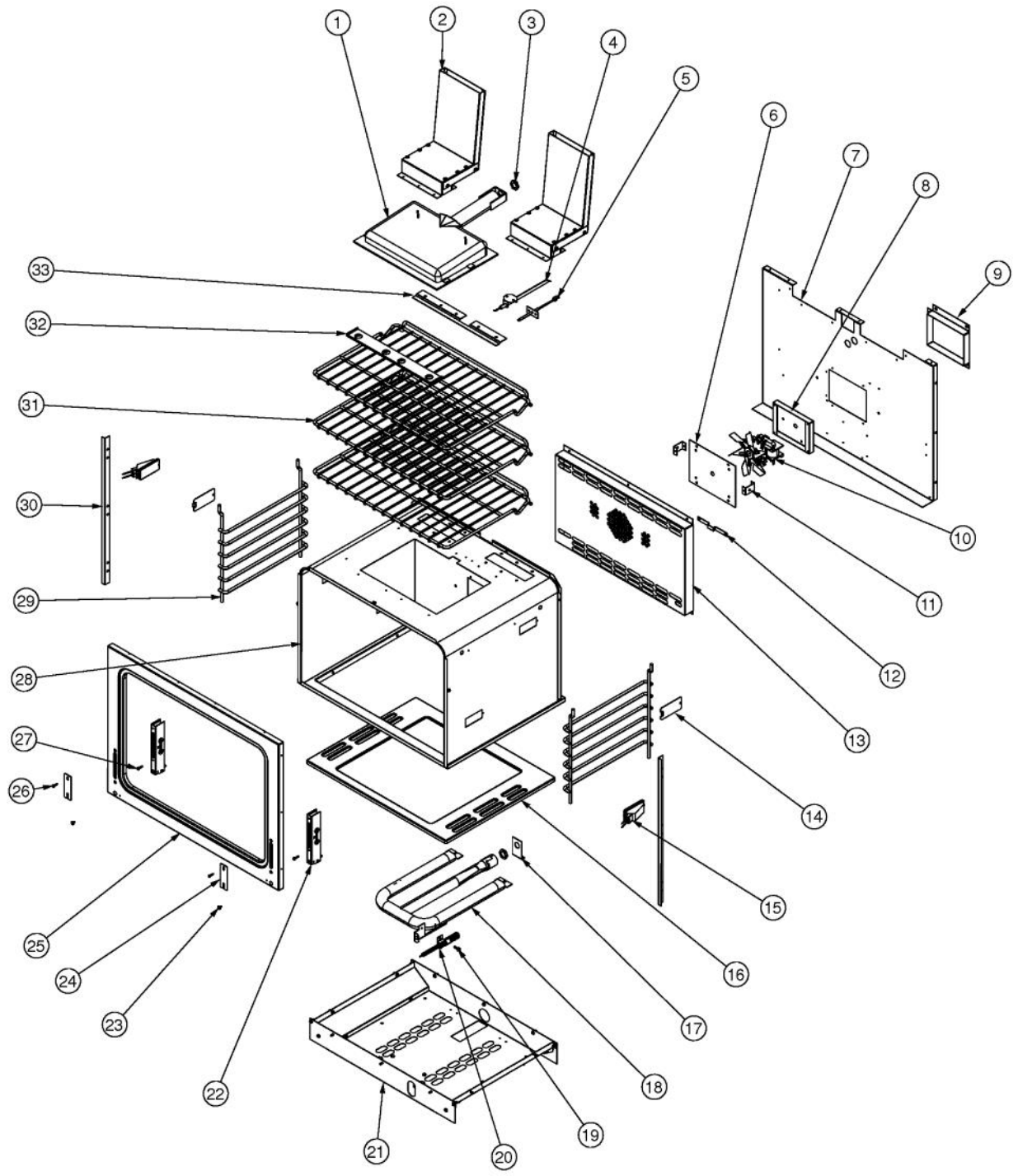
Ref #	Part Number	Qty.	Description
1	PA020058	4	IRIS SINGLE SPARK MODULE
2	023405-000	4	TOP BURNER VALVE
3	016978-000	1	MANIFOLD, 30
4	PA070003	1	PRESSURE REGULATOR (NAT.)
4	013386-000	1	LP PRESSURE REGULATOR
5	012235-000	1	ELECTRONIC THERMOSTAT - 2 POS. W/O LEADS
6	PE050024	1	OVEN IND. LIGHT (LIGHT HOUSING)
7	PB030007	1	SHUT OFF VALVE
8	PD010012	5	VALVE BOLT 1/4-20 UNC-2B 5/16 M.S.
9	031251-2255	1	CONTROL PANEL ASM, VGIC530-4B W/GRAPHICS
10	006355-000	1	SPLASHPROOF ROCKER SWITCH
11	PB010304	5	KNOB BEZEL
11	PB010304PVD	5	RESTYLE KNOB BEZEL, BR
12	005269-000	4	RANGE TOP BURNER KNOB-BRUSHED, SSS BEFORE 12/20/12
12	035881-000	4	KNOB, BNR, TOP PRO CR3 AFTER (12/20/12)
13	PD020046	4	NO.8 X 1/2 SCREWS
14	PE050023	1	OVEN IND. LIGHT (LENS & BEZEL)
15	PD020269	2	NO.8 PAN HEAD SCREW
16	008416-000	1	KNOB, THERMOSTAT, NO.3 SSS, ASM, VGCC BEFORE 12/20/12
16	035891-000	1	KNOB,OVN,TSTAT, PRO VGCC CR3 AFTER (12/20/12)
17	003719-000	1	OVEN LIGHT SWITCH, BLACK



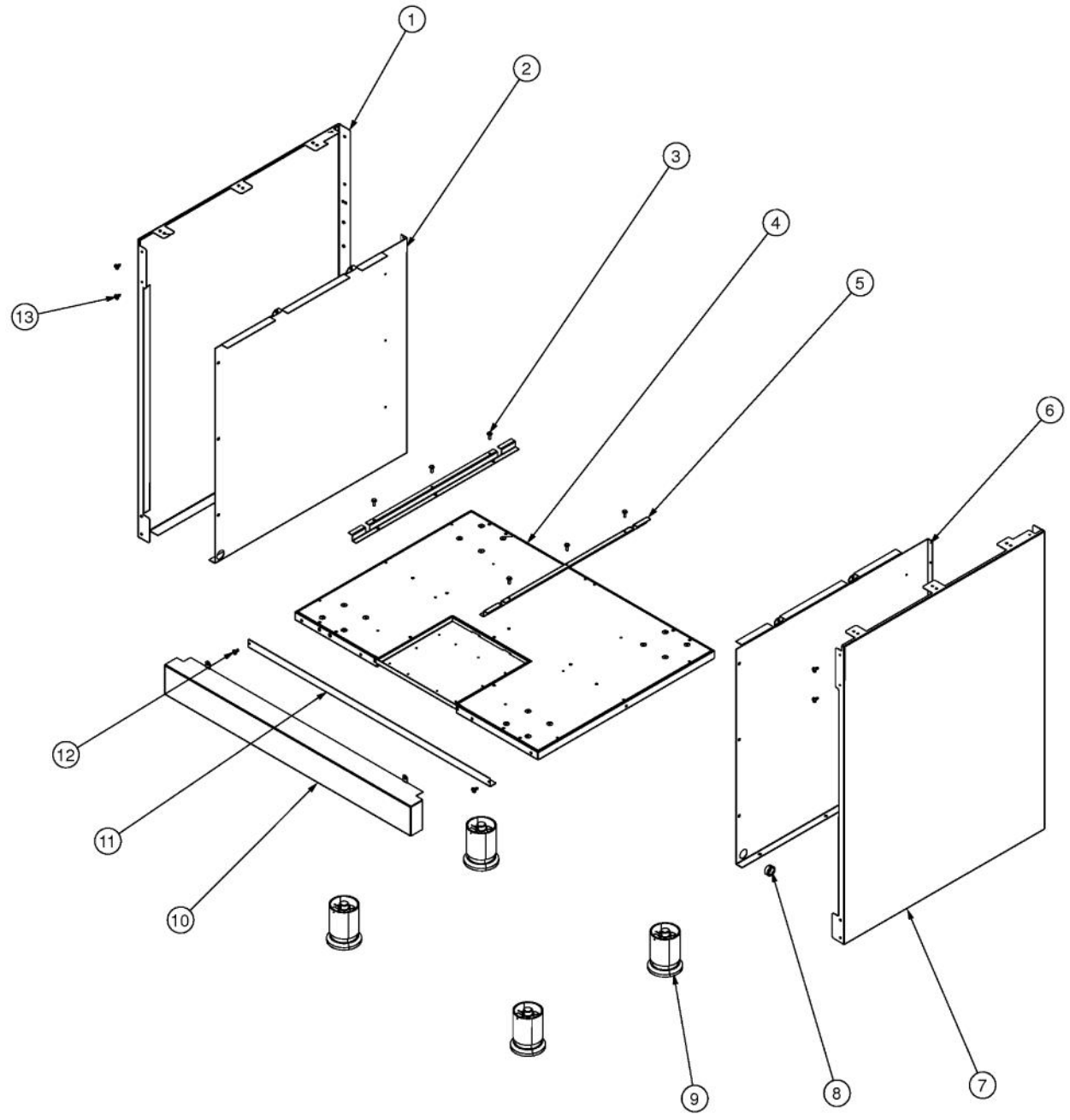
Ref #	Part Number	Qty.	Description
1	PA060037	4	GRATE BK REPL PA060024 (GEN.NO.2)
2	PA060049	2	CENTER GRATE - MATT BK
3	PA030002	4	BURNER BOWL
4	PA080009	4	GLOSS BLACK BURNER CAP
5	E9104416	1	SUB CENTER SPACER W/COLOR
6	E9101115	2	GRATE SUPT XBKX (VGRT)
7	015496-000	1	TRIM, SIDE RH
8	PD020033	4	SRW-NO.10-24X1/2T(23)PH.WFR HD (NKL)
9	PD010017	6	BALL STUD (VGRT)
10	PD030012	6	6-32 HEX NUT
11	015497-000	1	TRIM, SIDE LH



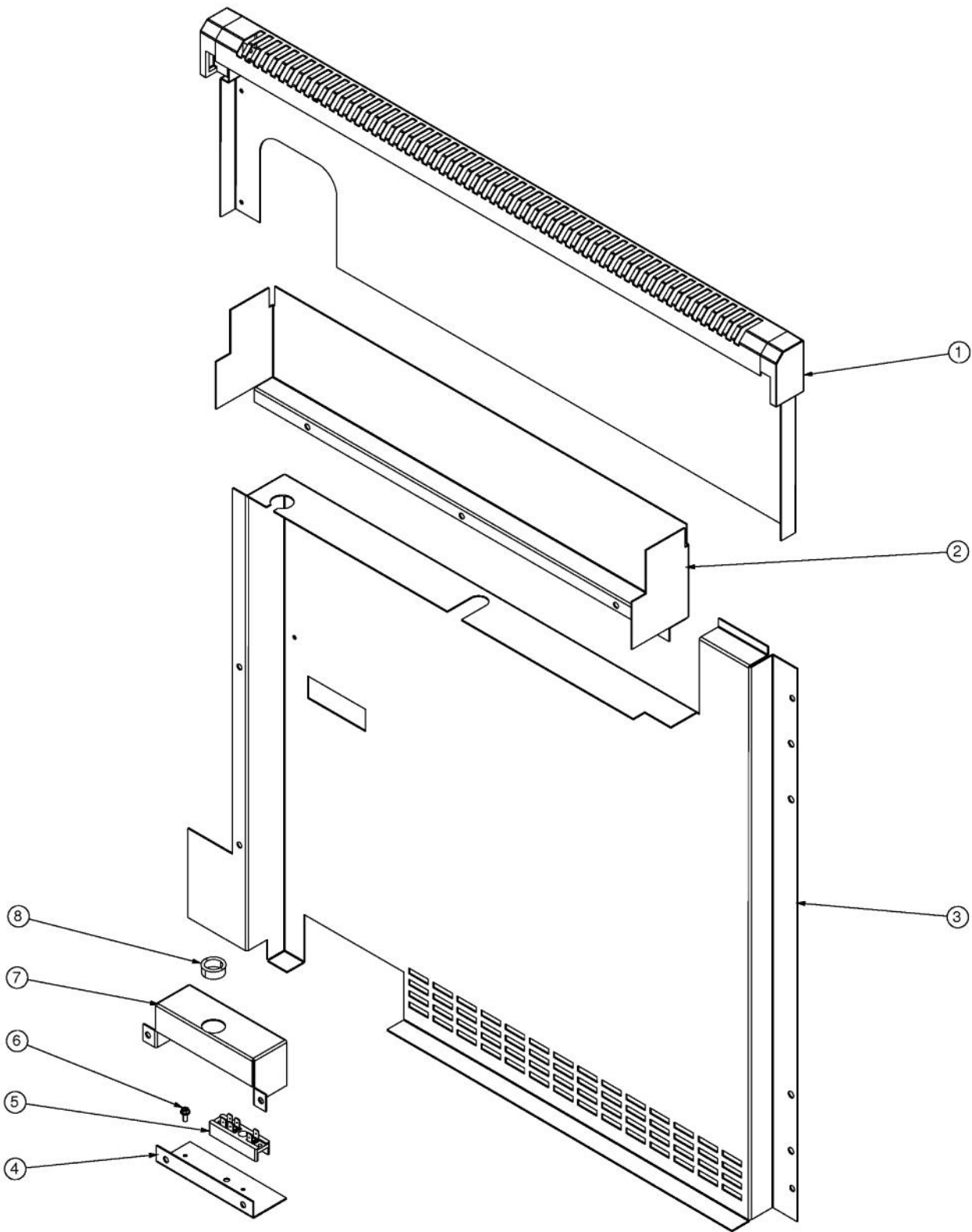
Ref #	Part Number	Qty.	Description
1	PD020033	4	SRW-NO.10-24X1/2T(23)PH.WFR HD (NKL)
2	003481-000	1	BURNER BOX SIDE, LH
3	015486-000	2	BURNER, FRONT, ASM
4	015485-000	2	SUPPORT, BURNER, VGIC
5	015493-000	2	BURNER, REAR, ASM
6	PA020028	4	SPARK IGNITER
7	016976-000	1	SUPPORT, REAR VGIC530
8	016980-000	1	COVER, VALVE 36?
9	015535-000	1	TUBING, BROIL ASM
10	009112-000	1	VALVE, SOL, DOUBLE
11	015533-000	1	TUBING, BAKE, RH ASM
12	PD040005	2	SNAP BUSHING - 7/8
13	PD020004	1	10X3/8PH.HD.TYPE 25 REPL PD040125
14	015515-000	1	BRACKET, VALVE
15	PK000010	1	RUNNER, DRIP TRAY - RH (VGRT)
16	PK000008	1	DRIP TRAY GUIDE - RH
17	016780-000	1	COVER, DSI
18	PD020067	2	NO.6 X 3/8 PAN PHIL. TEK SS
19	PD020043	4	NO.6-32 X .750 PH. CTRSK T(F)-VGSO166
20	016658-000	1	BURNER BOX SIDE, RH
21	PD020010	1	10 X 3/8 GREEN GROUNDING SCREW
22	PJ030039	1	BI-METAL THERMOSTAT 275 DEGREES
23	PA020056	1	TYTRONICS DSI MODULE (BEFORE 12/29/10)
23	023651-000	1	DSI120 LONG PURGE (ON OR AFTER 12/29/10)
24	A20014089	1	DISC BRACKET
25	015500-000	2	BRACKET, SLIDE RH
NI	015501-000	1	BRACKET, SLIDE ASM RH (INCLUDES ITEMS 25 AND 16)
26	016973-000	1	TOP, CABINET VGIC530
27	PB070079	1	SILICONE EXTRUSION (DGSU)
28	016977-000	1	TRIM, FR, TOP 30 DCBZ
29	PD020063	2	SCREW-NO.8(A) X 3/8PH WFR HD/BK OXID
30	PD040004	4	GROMMET BUMPER
31	019011-000	1	TRAY, DRIP ASM 30
32	016975-000	1	SUPPORT, FRONT VGIC530
33	PK000009	1	RUNNER, DRIP TRAY - LH (VGRT)
34	PK000007	1	DRIP TRAY GUIDE - LH (VGRT)
35	015504-000	1	BRACKET, SLIDE LH
NI	015505-000	1	BRACKET, SLIDE ASM LH (INCLUDES ITEMS 34 AND 35)



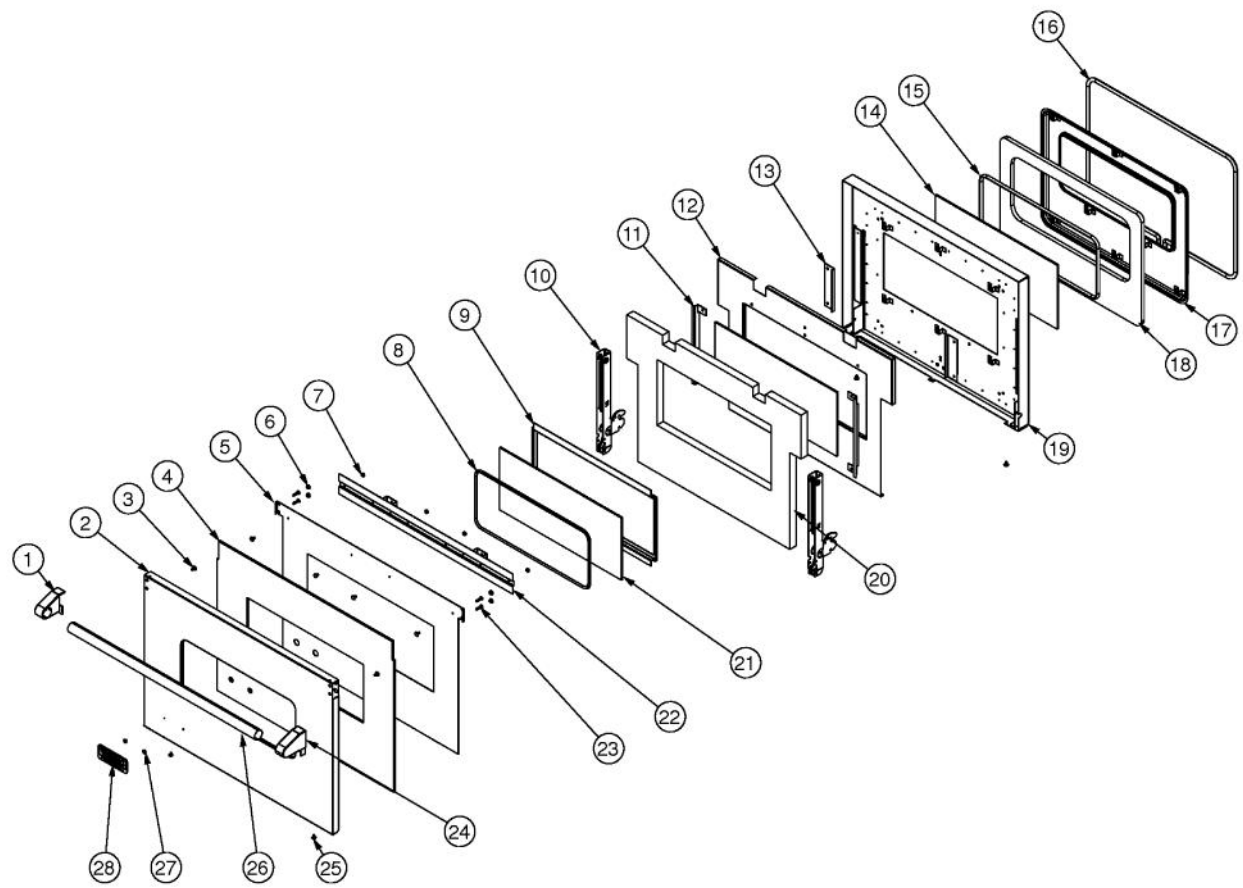
Ref #	Part Number	Qty.	Description
1	G3001876	1	IR BURNER ASSY (VGSC/RC) N/S
2	006192-000	2	VENT, ASM, OVEN ASSEMBLY
3	PD030018	2	PALNUT - 3/4-16
4	PB040171	1	BROIL IGNITION ELECTRODE
5	PE050206	1	RTD THERMOSTAT PROBE
6	A1002596	1	CONVECTION FAN COVER (VDSC)
7	020404-000	1	INSULATION, BACK, PANEL, 30
8	A2002595	1	CONVECTION FAN BOX (VDSC)
9	A2008467	1	INSULATION SHIELD
10	PE050057	1	NO LONGER USED ON THIS MODEL CONVECTION FAN (VGSC306)
10	023090-000	1	(BEFORE 8/31/11) MOTOR, CONV ASM? (ON OR AFTER 8/31/11)
11	A2001361	2	BACK SPACER (VGSC/VGSS)
12	A2004428	1	REAR BOTTOM BRCKT (VGSC306) (BEFORE 8/31/11)
13	G9104482	1	CONVECTION FAN COVER ASSY (VGSC306)
14	E91012614	2	LIGHT HOLE COVER
15	005311-000	2	120V/25W HALOGEN LIGHT
16	G9104438	1	OVEN BOTTOM PAN ASSY (VGSC306)
NI	A2004439	1	OVEN BOTTOM SHIELD (VGSC306)
17	005529-000	1	BAKE ORIFICE MTG BRKT (BEFORE 2/11/13)
17	040736-000	1	BRKT, ORF (ON OR AFTER 2/11/13)
18	005329-000	1	BURNER, OVEN, ASM
18	005330-000	1	BURNER, OVEN, ASM (LP)
19	M0238731	1	SCREW-SM
20	PB040170	1	BAKE IGNITION ELECTRODE
21	005102-000	1	BURNER PAN ASSEMBLY
22	003060-000	2	HINGE RECEPTACLE, VDSC CUSTOM
23	PD020032	2	SRW-8(A)X3/8PH.WFR HD 7/16DIAXNICL
24	007278-000	2	ARM HINGE CLIP
25	005373-000	1	30 FRONT FRAME WELD ASSY
26	PD020061	2	NO.8 X 3/4 FLAT HD TEK. SS.
27	PD020232	2	NO.8 X 3/4 PH PAN HEAD TEK SCREW (BLACK OXIDE)
28	005047-000	1	OVEN CAVITY WELD
29	PB060030	2	RACK SUPT REPL PB060010
30	005536-000	2	TRIM
31	PB060044	3	OVEN RK VDSC30/48RH REPL PB060019
32	B2001448	1	IR BROIL SUPT (FRONT)
33	B2005589	2	REAR BROILER BRACKET



Ref #	Part Number	Qty.	Description
1	019123-000	1	PANEL, SIDE, LEFT
1	021310-002	1	PANEL, SIDE, LH BK
1	021310-003	1	PANEL, SIDE, LH BT
1	021310-004	1	PANEL, SIDE, LH SG
1	021310-005	1	PANEL, SIDE, LH GG
1	021310-006	1	PANEL, SIDE, LH WH
1	021310-008	1	PANEL, SIDE, LH BU
1	021310-009	1	PANEL, SIDE, LH LE
1	021310-010	1	PANEL, SIDE, LH MJ
1	021310-012	1	PANEL, SIDE, LH VB
1	021310-013	1	PANEL, SIDE, LH CB
1	021310-015	1	PANEL, SIDE, LH PL
1	021310-016	1	PANEL, SIDE, LH CH
1	021310-017	1	PANEL, SIDE, LH TP
1	021310-018	1	PANEL, SIDE, LH CW
1	021310-019	1	PANEL, SIDE, LH OG
1	021310-020	1	PANEL, SIDE, LH GM
1	021310-021	1	PANEL, SIDE, LH SA
1	021310-022	1	PANEL, SIDE, LH SE
1	021310-023	1	PANEL, SIDE, LH IB
1	021310-024	1	PANEL, SIDE, LH AR
1	021310-025	1	PANEL, SIDE, LH RR
1	021310-026	1	PANEL, SIDE, LH PM
1	021310-027	1	PANEL, SIDE, LH MS
2	004482-000	1	INSULATION, PNL, SIDE, LH
3	PD020048	6	NO.10 X 1/2 TEK 410 SS SCREW
4	003056-000	1	BASE ASSEMBLY
5	A2004429	2	OVEN BOTTOM INSUL. BRACE (VGSC306)
6	004479-000	1	INSULATION, PNL, SIDE, RH
7	019124-000	1	PANEL, SIDE, RIGHT
7	021309-002	1	PANEL, SIDE, RH BK
7	021309-003	1	PANEL, SIDE, RH BT
7	021309-004	1	PANEL, SIDE, RH SG
7	021309-005	1	PANEL, SIDE, RH GG
7	021309-006	1	PANEL, SIDE, RH WH
7	021309-008	1	PANEL, SIDE, RH BU
7	021309-009	1	PANEL, SIDE, RH LE
7	021309-010	1	PANEL, SIDE, RH MJ
7	021309-012	1	PANEL, SIDE, RH VB
7	021309-013	1	PANEL, SIDE, RH CB
7	021309-015	1	PANEL, SIDE, RH PL
7	021309-016	1	PANEL, SIDE, RH CH
7	021309-017	1	PANEL, SIDE, RH TP
7	021309-018	1	PANEL, SIDE, RH CW
7	021309-019	1	PANEL, SIDE, RH OG
7	021309-020	1	PANEL, SIDE, RH GM
7	021309-021	1	PANEL, SIDE, RH SA
7	021309-022	1	PANEL, SIDE, RH SE
7	021309-023	1	PANEL, SIDE, RH IB
7	021309-024	1	PANEL, SIDE, RH AR
7	021309-025	1	PANEL, SIDE, RH RR
7	021309-026	1	PANEL, SIDE, RH PM
7	021309-027	1	PANEL, SIDE, RH MS
8	PD040005	1	SNAP BUSHING - 7/8
9	PC030031	4	ADJUSTABLE LEG
10	006198-000	1	PANEL, ACS, 30, GSC
11	006199-000	1	SPACER, BOT, 30, GSC
12	003801-000	2	SHOULDER SCREW, NO.10
13	014143-000	4	SCR 10-12 A SHLD TRP 1/2 S ZN BLUE



Ref #	Part Number	Qty.	Description
1	004464-000	1	TRIM, IS, ASM, REDESIGN, 30
2	019160-000	1	BACK COLLAR, 30
3	032123-000	1	CABINET, BACK
4	007484-000	1	TERMINAL, BLOCK, BRACKET
5	007400-000	1	BLOCK, TERMINAL
6	PD020010	1	10 X 3/8 GREEN GROUNDING SCREW
7	031961-000	1	COVER, TERM. BLOCK
8	PD040005	1	SNAP BUSHING - 7/8
NI	023263-000	1	BRKR, RANGE, ANTI-TIP



Ref #	Part Number	Qty.	Description
1	003011-000	1	DOOR HANDLE ENDCAP ASSY, LH (CHROME)
1	003011-100	1	DOOR HANDLE ENDCAP ASSY, LH (BRASS)
2	023453-000	1	SVC DOOR SKIN KIT, VGSC, IC, CC 30SS
2	023454-002	1	SVC DOOR SKIN KIT, VGSC, IC, CC 30 BK
2	023454-003	1	SVC DOOR SKIN KIT, VGSC, IC, CC 30 BT
2	023454-004	1	SVC DOOR SKIN KIT, VGSC, IC, CC 30 SG
2	023454-005	1	SVC DOOR SKIN KIT, VGSC, IC, CC 30 GG
2	023454-006	1	SVC DOOR SKIN KIT, VGSC, IC, CC 30 WH
2	023454-008	1	SVC DOOR SKIN KIT, VGSC, IC, CC 30 BU
2	023454-009	1	SVC DOOR SKIN KIT, VGSC, IC, CC 30 LE
2	023454-010	1	SVC DOOR SKIN KIT, VGSC, IC, CC 30 MJ
2	023454-012	1	SVC DOOR SKIN KIT, VGSC, IC, CC 30 VB
2	023454-013	1	SVC DOOR SKIN KIT, VGSC, IC, CC 30 CB
2	023454-015	1	SVC DOOR SKIN KIT, VGSC, IC, CC 30 PL
2	023454-016	1	SVC DOOR SKIN KIT, VGSC, IC, CC 30 CH
2	023454-017	1	SVC DOOR SKIN KIT, VGSC, IC, CC 30 TP
2	023454-018	1	SVC DOOR SKIN KIT, VGSC, IC, CC 30 CW
2	023454-019	1	SVC DOOR SKIN KIT, VGSC, IC, CC 30 OG
2	023454-020	1	SVC DOOR SKIN KIT, VGSC, IC, CC 30 GM
2	023454-021	1	SVC DOOR SKIN KIT, VGSC, IC, CC 30 SA
2	023454-022	1	SVC DOOR SKIN KIT, VGSC, IC, CC 30 SE
2	023454-023	1	SVC DOOR SKIN KIT, VGSC, IC, CC 30 IB
2	023454-024	1	SVC DOOR SKIN KIT, VGSC, IC, CC 30 AR
2	023454-025	1	SVC DOOR SKIN KIT, VGSC, IC, CC 30 RR
2	023454-026	1	SVC DOOR SKIN KIT, VGSC, IC, CC 30 PM
2	023454-027	1	SVC DOOR SKIN KIT, VGSC, IC, CC 30 MS
3	PD020033	8	SRW-NO.10-24X1/2T(23)PH.WFR HD (NKL)
4	004685-000	1	INSULATION, DOOR, PANEL
5	004684-000	1	PANEL, DOOR, INSULATION, GSC
6	004907-000	4	STEEL FINISHING PLUG, NICKEL PLTD 25/64 HOLE
7	PD030010	4	NO.10-24 KEPS NUT
8	PE060031	1	J-MOLD (LARGE WINDOW) (NOT FIELD REPLACEABLE - MUST ORDER ITEM NO. 2)
9	008097-000	1	FRAME, GLASS, ALUMINUM (NOT FIELD REPLACEABLE - MUST ORDER ITEM NO. 2)
10	002740-000	2	MANSFIELD HINGE, BLUE SPRING
11	007583-000	2	BRACKET, GLASS
12	004688-000	1	PANEL, INSL, DOOR, LINER
13	A2002189	2	DOOR GLASS STANDOFF (VDSC)
14	PE060039	2	GLASS-HEAT TREATED (HB2) VDSC
15	PB070150	1	FIBERGLASS ROPE, 3/8 DIA.
16	000042-000	1	30 DOOR GASKET
17	001142-000	1	PLUG, DOOR, ASM, PORCELAIN
18	002560-000	1	30 DOOR PLUG INSULATION
19	004691-000	1	LINER, DOOR, ASM, ASSY, GSC
20	005475-000	1	PANEL, INSL, DOOR, LINER
21	PE060030	1	GLASS-OUTER DOOR BK SCREENED,TEMP (NOT FIELD REPLACEABLE - MUST ORDER ITEM NO. 2)
22	006553-000	1	DOOR BRACKET, WELD ASSY
23	002736-000	4	NO.10-32 PAN HEAD PHILLIPS MACHINE SCREW
24	003012-000	1	DOOR HANDLE ENDCAP ASSY, RH (CHROME)
24	003012-100	1	DOOR HANDLE ENDCAP ASSY, RH (BRASS)
25	PD020073	2	SRW NO.10 X 24 X 3/8 WAFER HD TYPE23
26	002728-000	1	DOOR HANDLE - SS, 1.25 OD
27	PD030006	2	CAPPED WASHER PAL NUT
28	PE010016	1	NAMEPLATE, LOGO, PRO
28	PE010079	1	4.5 LOGO/VIKING PROF, BK/BR
28	006468-000	1	DOOR ASSY, SS VGCC530
28	006468-100	1	DOOR ASSEMBLY - VGCC530 SS/BR
28	007364-002	1	DOOR ASSEMBLY - BK

Ref #	Part Number	Qty.	Description
28	007364-002	1	DOOR ASSEMBLY - BK
28	007364-003	1	DOOR ASSEMBLY - BT
28	007364-004	1	DOOR ASSEMBLY - SG
28	007364-005	1	DOOR ASSEMBLY - GG
28	007364-006	1	DOOR ASSEMBLY - WH
28	007364-008	1	DOOR ASSEMBLY - BU
28	007364-009	1	DOOR ASSEMBLY - LE
28	007364-010	1	DOOR ASSEMBLY - MJ
28	007364-012	1	DOOR ASSEMBLY - VB
28	007364-013	1	DOOR ASSEMBLY - CB
28	007364-015	1	DOOR ASSEMBLY - PL
28	007364-016	1	DOOR ASSEMBLY - CH
28	007364-017	1	DOOR ASSEMBLY - TP
28	007364-018	1	DOOR ASSEMBLY - CW
28	007364-019	1	DOOR ASSEMBLY - OG
28	007364-020	1	DOOR ASSEMBLY - GM
28	007364-021	1	DOOR ASSEMBLY - SA
28	007364-022	1	DOOR ASSEMBLY - SE
28	007364-023	1	DOOR ASSEMBLY - IB
28	007364-024	1	DOOR ASSEMBLY - AR
28	007364-025	1	DOOR ASSEMBLY - RR
28	007364-026	1	DOOR ASSEMBLY - PM
28	007364-027	1	DOOR ASSEMBLY - MS
28	007364-102	1	DOOR ASSEMBLY - BK/BR
28	007364-103	1	DOOR ASSEMBLY - BT/BR
28	007364-104	1	DOOR ASSEMBLY - SG/BR
28	007364-105	1	DOOR ASSEMBLY - GG/BR
28	007364-106	1	DOOR ASSEMBLY - WH/BR
28	007364-108	1	COMPLETE DOOR ASSEMBLY BU/BR
28	007364-109	1	DOOR ASSEMBLY - LE/BR
28	007364-110	1	DOOR ASSEMBLY - MJ/BR
28	007364-112	1	DOOR ASSEMBLY - VB/BR
28	007364-113	1	DOOR ASSEMBLY - CB/BR
28	007364-115	1	DOOR ASSEMBLY - PL/BR
28	007364-116	1	DOOR ASSEMBLY - CH/BR
28	007364-117	1	DOOR ASSEMBLY - TP/BR
28	007364-118	1	DOOR ASSEMBLY - CW/BR
28	007364-119	1	DOOR ASSEMBLY - OG/BR
28	007364-120	1	DOOR ASSEMBLY - GM/BR
28	007364-121	1	DOOR ASSEMBLY - SA/BR
28	007364-122	1	DOOR ASSEMBLY - SE/BR
28	007364-123	1	DOOR ASSEMBLY - IB/BR
28	007364-124	1	DOOR ASSEMBLY - AR/BR
28	007364-125	1	DOOR ASSEMBLY - RR/BR
28	007364-126	1	DOOR ASSEMBLY - PM/BR
28	007364-127	1	DOOR ASSEMBLY - MS/BR

*No Image
Available*

Ref #	Part Number	Qty.	Description
NI	023040-000	1	HARNESS, CNVN, SWITCH, ASM
NI	026120-000	1	HARNESS, WIRE, VGIC5304B
NI	017735-000	1	HARNESS, CONTROL BK/BR
NI	007378-000	1	LIGHT SWITCH HARNESS
NI	006766-000	1	IRIS IGNITOR WIRE, BACK BURNER
NI	000647-000	1	IRIS IGNITOR WIRE, FRONT BURNER
NI	051439-000	1	VGIC530-4B SPILL GUTTER KIT FOR TC-0098-SP BULLETIN
NI	PE070889	1	IRIS HARNESS - 30