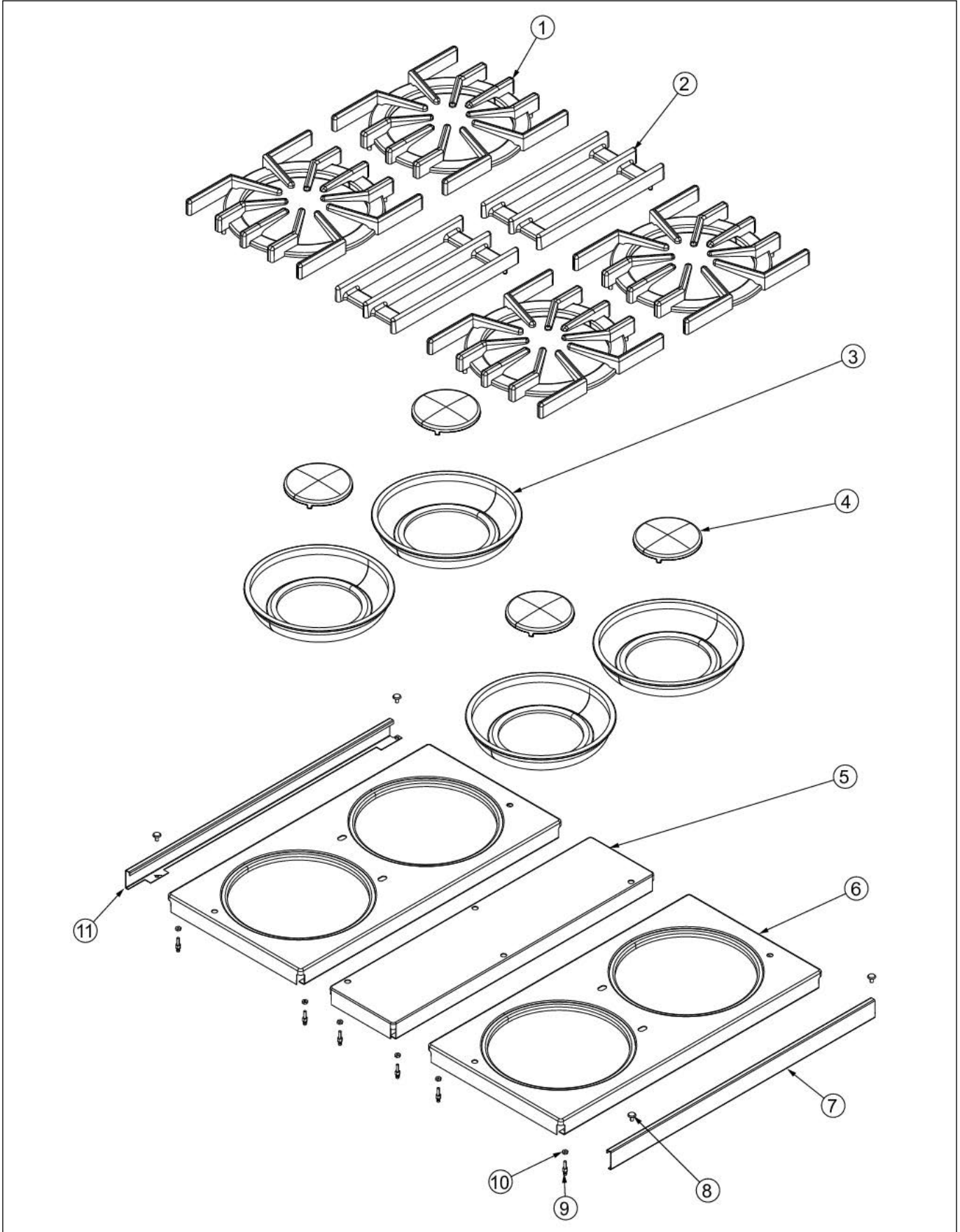


VGIC53014BSS01

Freestanding range

SURFACE COOKING AREA	1
VGIC53014BSS-REV00 Control area parts	2
BURNER BOX AREA	3
OVEN CAVITY	4
REAR SHEET METAL	5
LOWER UNIT AND SIDE PANELS	6
VGIC53014-REV00 Door parts	7
WIRING	8
Appendix A:Pages Index	A
Appendix B:Parts Index	B

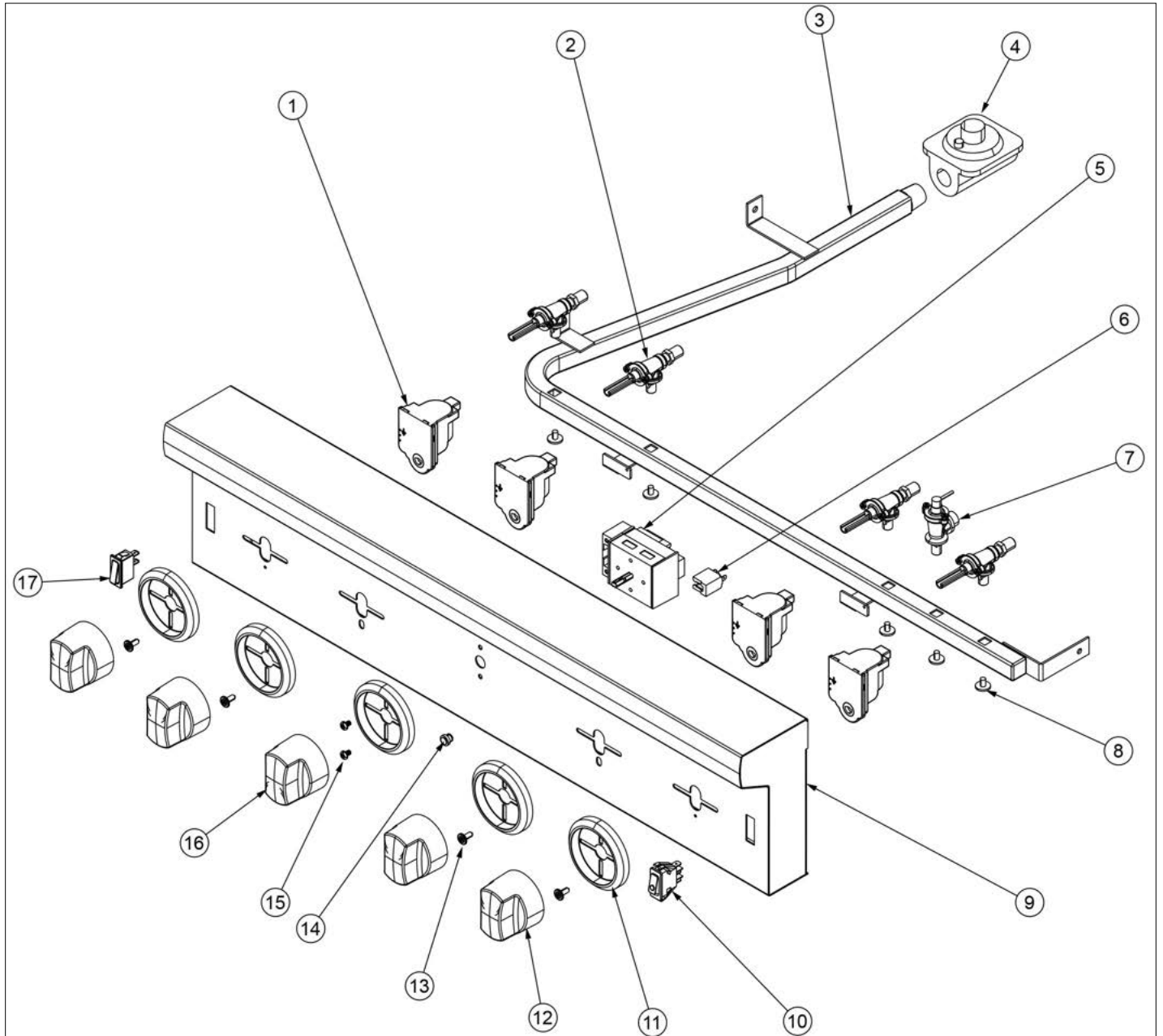
SURFACE COOKING AREA



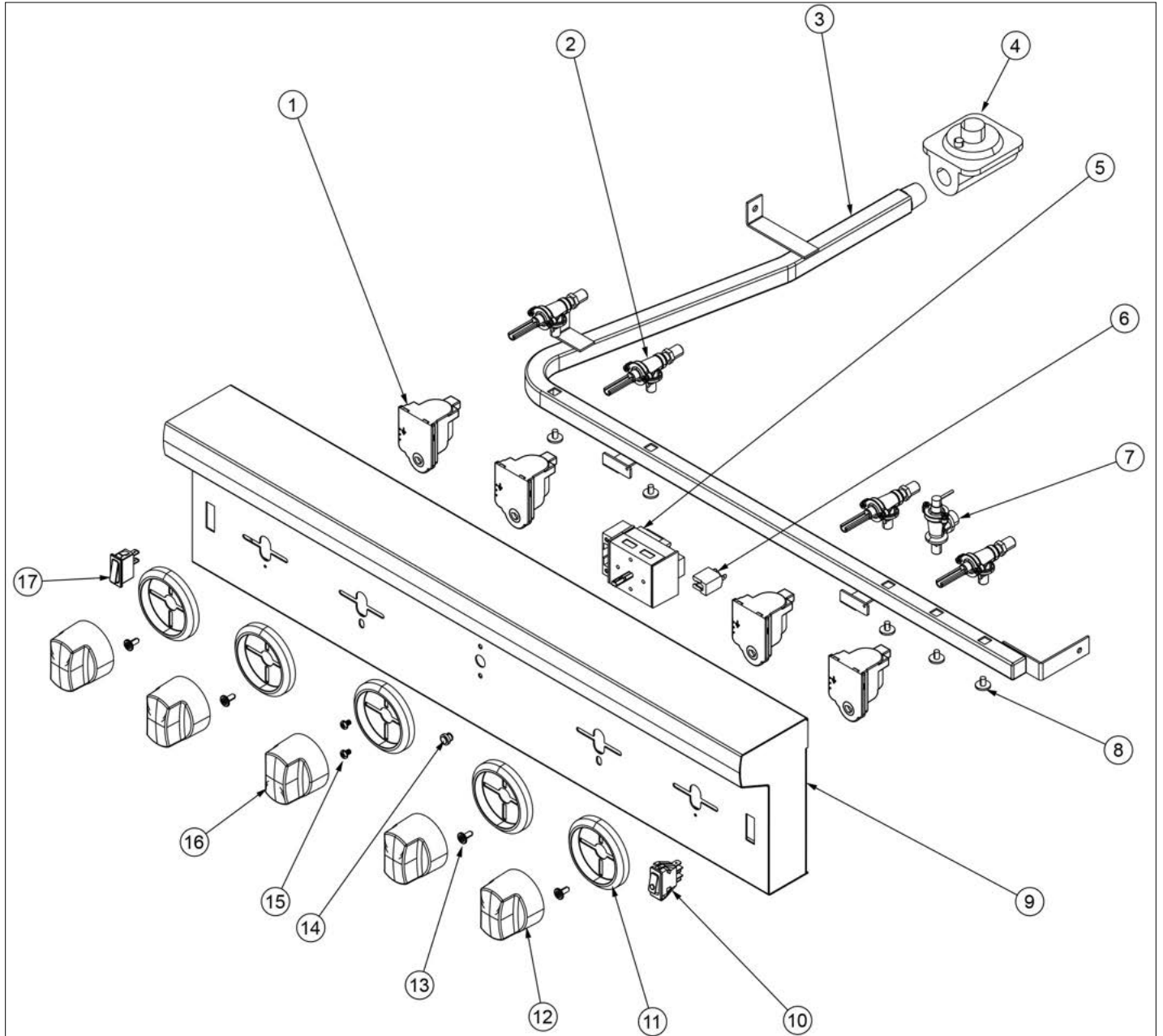


Item	Part No.	Name	Qty	Uom	NOTES
1	PA060037	GRATE BK REPL PA060024 (GEN.#2)	4	EA	
<p>Comments for Part Num. PA060037</p> <p>bradleysapplianceservice@shaw.ca on Jun 16, 2020 SUBS TO: 067027-000 GRATE BK 10 X 11</p>					
2	072065-000	WRAP, CENTER, GRATE ASSY (PACK OF 2)	2	EA	
3	PA030002BK	BURNER BOWL (VGRT) **BK**	4	EA	
4	066982-000	CAP, BURNER, OPEN, BLK	4	EA	
5	E9104416BK	CENTER SPACER (VGSC306) *BK*	1	EA	
<p>Comments for Part Num. E9104416BK</p> <p>bradleysapplianceservice@shaw.ca on Jan 15, 2020 BEFORE 06/2015</p>					
6	E9101115BK	GRATE SUPT *BK* (VGRT)	2	EA	
7	015496-000	TRIM, SIDE RH	1	EA	
8	PD020033	SRW-#10-24X1/2"T(23)PH.WFR HD (NKL)	4	EA	
9	PD010017	BALL STUD (VGRT)	6	EA	
10	PD030012	6-32 HEX NUT	6	EA	
11	015497-000	TRIM, SIDE LH	1	EA	

VGIC53014BSS-REV00 Control area parts



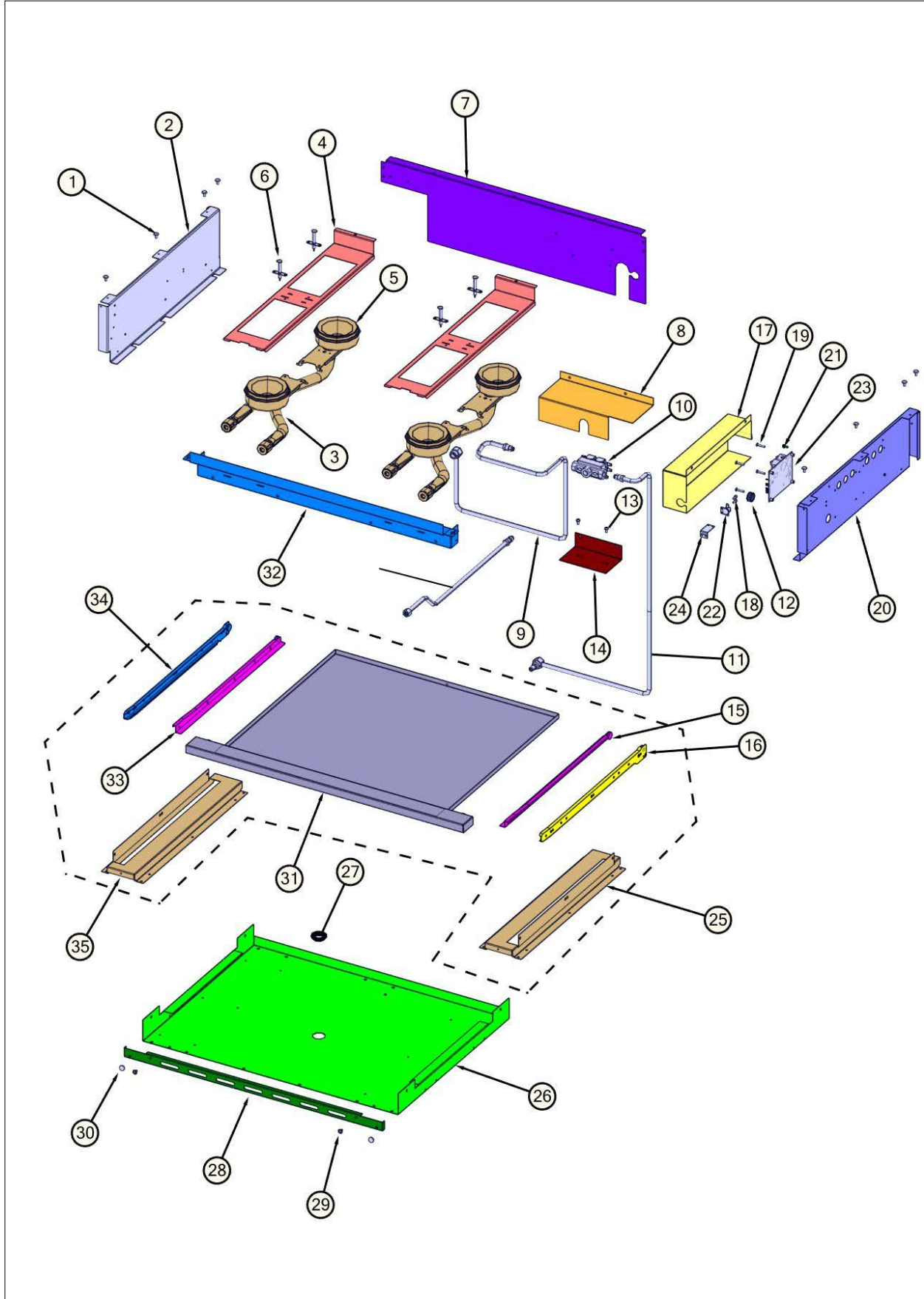
Item	Part No.	Name	Qty	Uom	NOTES
1	PA020058	IRIS SINGLE SPARK MODULE	4	EA	
2	023405-000	VALVE, BURNER, TOP, NAT.	4	EA	
NI	PB040034	ORIFICE HOOD-#50 (NAT)	4	EA	
2	023501-000	VALVE, BURNER, TOP, LP	4	EA	
Not Shown	PB040036	ORIFICE HOOD-#57 (LP)	4	EA	
3	016978-000	MANIFOLD, 30"	1	EA	
4	PA070003	PRESSURE REGULATOR (NAT.)	1	EA	
4	013386-000	LP PRESSURE REGULATOR	1	EA	
5	051428-000	ELECTRONIC THERMOSTAT	1	EA	
6	PE050024	OVEN IND. LIGHT (LIGHT HOUSING)	1	EA	
<p>Comments for Part Num. PE050024</p> <p>haarnink@vikingrange.com on Jan 14, 2019</p> <p>please not that the indicator light is now part 043135-000 but needs the Jumper harness 051443-000. and second option there are units in the field with a 230V indicator light part number 036566-000.</p> <p>please check this for all "E" module ranges/Tops</p>					
7	007147-000	SHUT OFF VALVE	1	EA	
8	PD010012	VALVE BOLT 1/4-20 UNC-2B 5/16" M.S.	5	EA	
9	031251-2255	CONTROL PANEL ASM, VGIC530-4B W/GRAPHICS	1	EA	
10	006355-000	SPLASHPROOF ROCKER SWITCH	1	EA	
11	PB010304	KNOB BEZEL	5	EA	
11	PB010304PVD	RESTYLE KNOB BEZEL, BR	5	EA	
12	005269-000	RANGE TOP BURNER KNOB-BRUSHED, SSS	4	EA	
Not Shown	NOTE	BEFORE 12/20/12		EA	
12	035881-000	KNOB, BNR, TOP PRO CR3	4	EA	
Not Shown	NOTE	AFTER 12/20/12		EA	
13	PD020046	' #8 X 1/2 SCREWS	4	EA	
14	PE050023	OVEN IND. LIGHT (LENS & BEZEL)	1	EA	





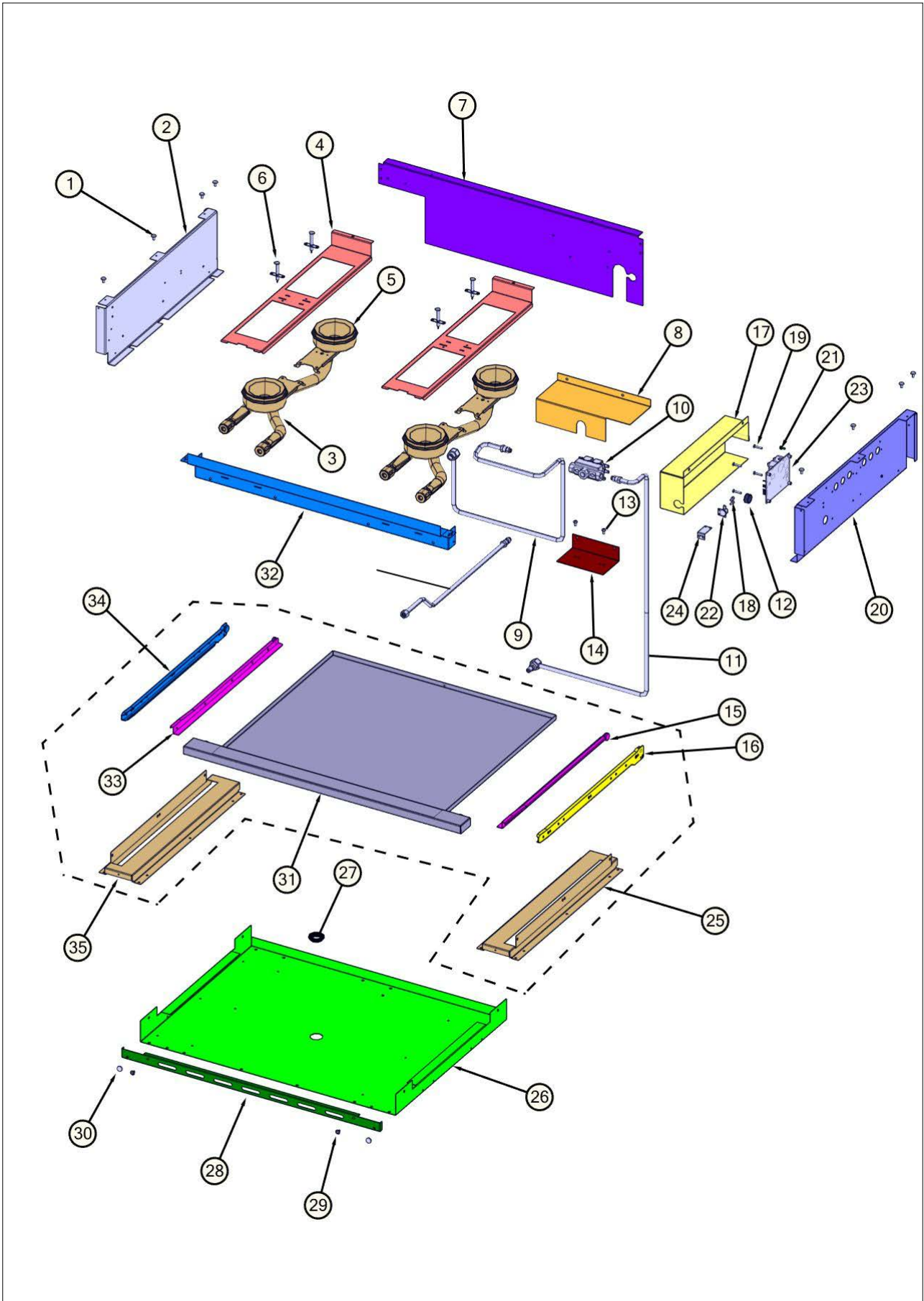
Item	Part No.	Name	Qty	Uom	NOTES
15	PD020269	#8 PAN HEAD SCREW	2	EA	
16	008416-000	KNOB, THERMOSTAT, #3 SSS, ASM, VGCC	1	EA	
Not Shown	NOTE	BEFORE 12/20/12		EA	
16	035891-000	KNOB,OVN,TSTAT, PRO VGCC CR3	1	EA	
Not Shown	NOTE	AFTER 12/20/12		EA	
17	003719-000	OVEN LIGHT SWITCH, BLACK	1	EA	

BURNER BOX AREA



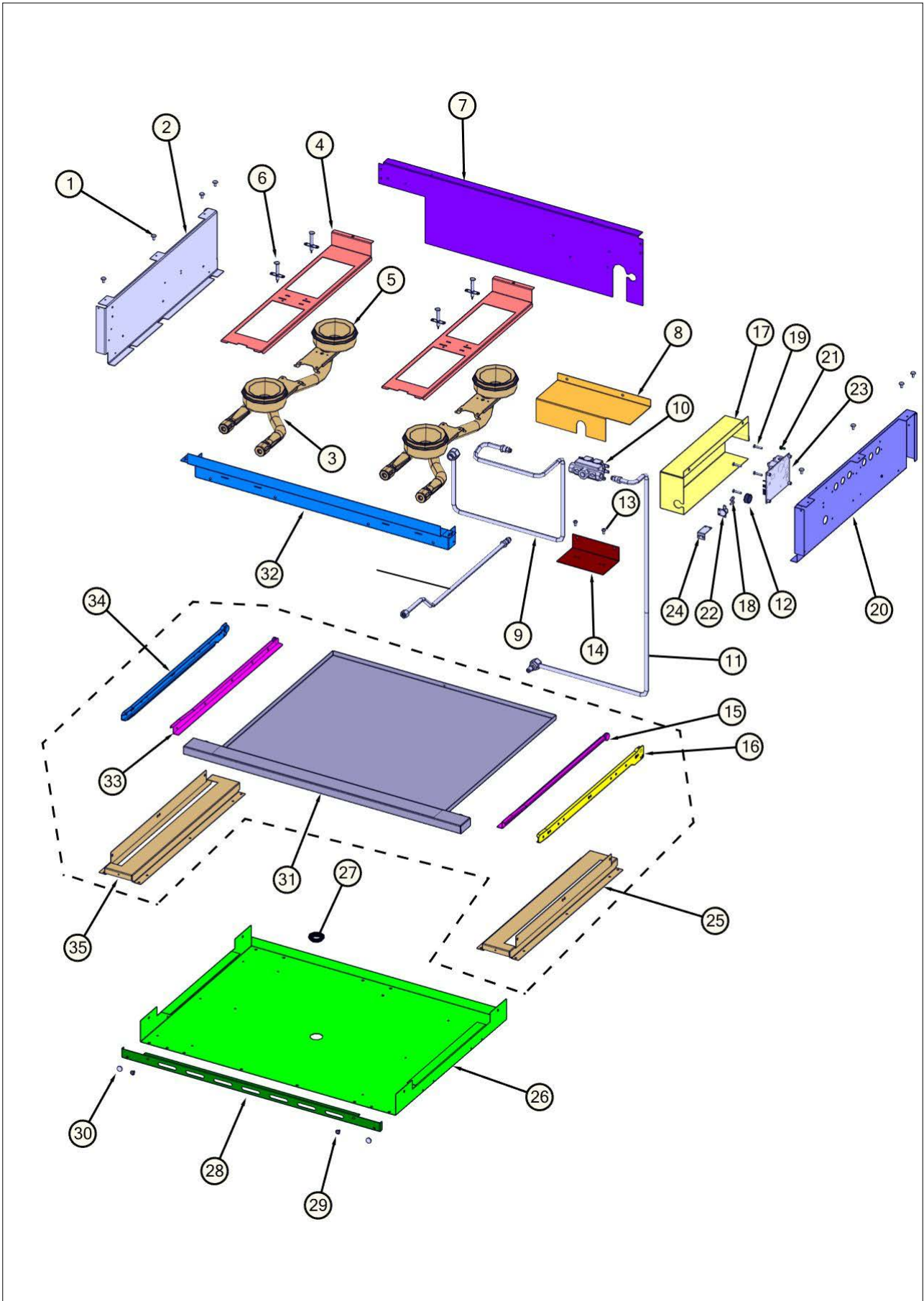


Item	Part No.	Name	Qty	Uom	NOTES
1	PD020033	SRW-#10-24X1/2"T(23)PH.WFR HD (NKL)	4	EA	
2	003481-000	BURNER BOX SIDE, LH	1	EA	
3	015486-000	BURNER, FRONT, ASM	2	EA	
4	015485-000	SUPPORT, BURNER, VGIC	2	EA	
5	015493-000	BURNER, REAR, ASM	2	EA	
6	PA020028	SPARK IGNITER	4	EA	
7	016976-000	SUPPORT, REAR VGIC530	1	EA	
8	016980-000	COVER, VALVE, 30"	1	EA	
9	015535-000	TUBING, BROIL ASM	1	EA	
10	009112-000	VALVE, SOL, DOUBLE	1	EA	
11	015533-000	TUBING, BAKE, RH ASM	1	EA	
12	PD040005	SNAP BUSHING - 7/8	2	EA	
13	PD020004	10X3/8PH.HD.TYPE 25 REPL PD040125	1	EA	
14	015515-000	BRACKET, VALVE	1	EA	
15	PK000010	RUNNER, DRIP TRAY - RH (VGRT)	1	EA	
Not Shown	NOTE	(IF REPLACED, MUST REPLACE #15,#16, #25, #31, #33, #34, #35 WITH 061181-000, 061191-000, AND 061179-000)	1	EA	
16	PK000008	Drip Tray Guide - RH	1	EA	NO LONGER AVAILABLE
Not Shown	NOTE	(IF REPLACED, MUST REPLACE #15,#16, #25, #31, #33, #34, #35 WITH 061181-000, 061191-000, AND 061179-000)		EA	
17	016780-000	COVER, DSI	1	EA	
18	PD020067	' #6 X 3/8" PAN PHIL. TEK *SS*	2	EA	
19	PD020043	#6-32 X .750 PH. CTRSK T(F)-VGSO166	4	EA	
20	016658-000	BURNER BOX SIDE, RH	1	EA	
21	PD020010	10 X 3/8 GREEN GROUNDING SCREW	1	EA	
22	PJ030039	BI-METAL THERMOSTAT 275 DEGREES	1	EA	
23	PA020056	NLA - See TC-0063D-SP for kit number (see comments)	1	EA	





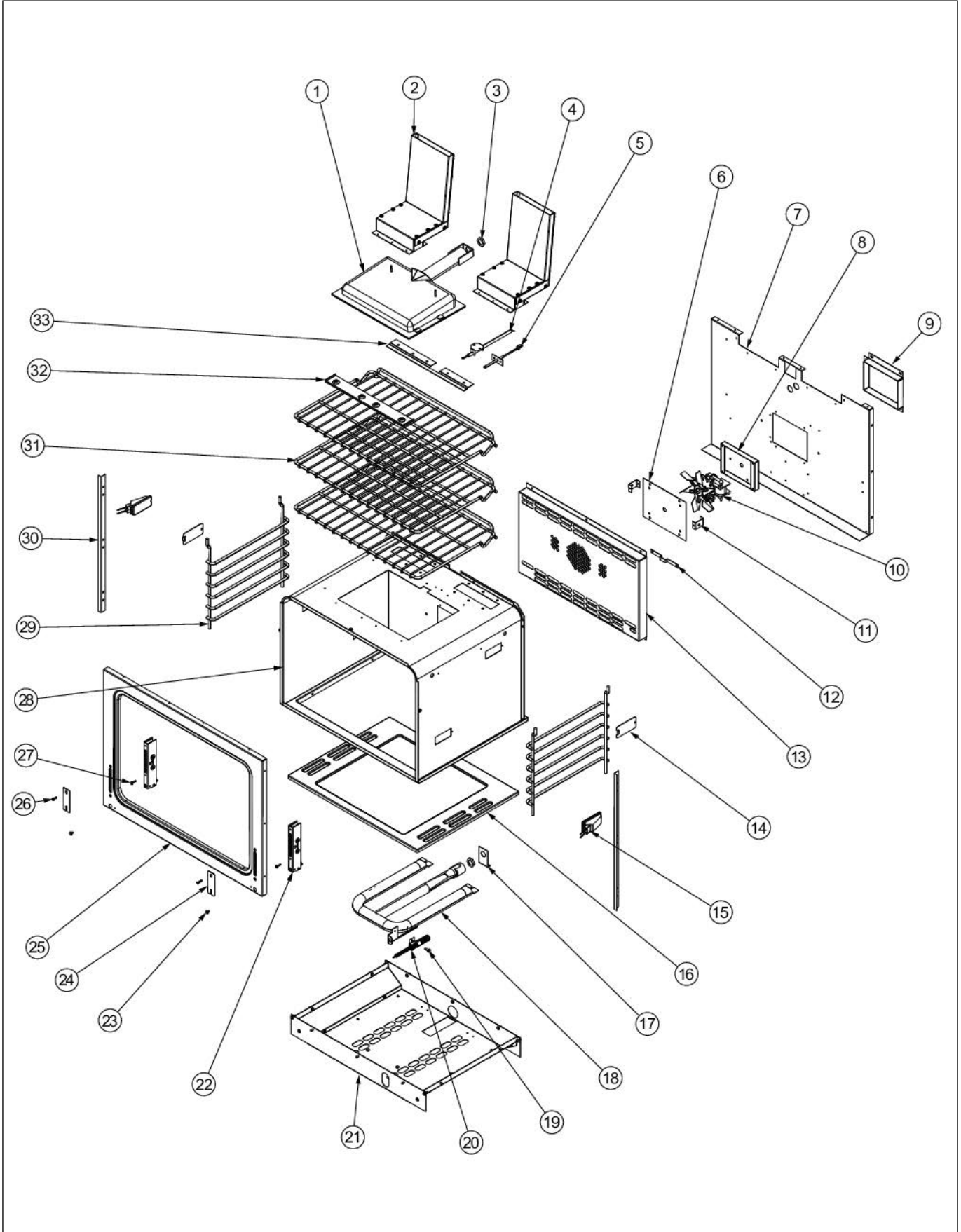
Item	Part No.	Name	Qty	Uom	NOTES
Not Shown	NOTE	(BEFORE 12/29/10)		EA	
23	023651-000	DSI120-2-LVS	1	EA	
Not Shown	NOTE	(ON OR AFTER 12/29/10)		EA	
24	A20014089	DISC BRACKET	1	EA	
25	015500-000	BRACKET, SLIDE RH	2	EA	
Not Shown	NOTE	(IF REPLACED, MUST REPLACE #15,#16, #25, #31, #33, #34, #35 WITH 061181-000, 061191-000, AND 061179-000)		EA	
NI	015501-000	BRACKET, SLIDE ASM RH	1	EA	Not available online / Call for pricing and availability
Not Shown	NOTE	(INCLUDES ITEMS 25 AND 16)		EA	
26	016973-000	TOP, CABINET VGIC530	1	EA	
27	PB070079	SILICONE EXTRUSION (DGSU)	1	EA	
28	016977-000	TRIM, FR, TOP 30" DCBZ	1	EA	
29	PD020063	SCREW-#8(A) X 3/8"PH WFR HD/BK OXID	2	EA	
30	PD040004	GROMMET BUMPER	4	EA	
31	043663-000	TRAY, DRIP, ASSEMBLY, 30"	1	EA	
Not Shown	NOTE	(IF REPLACED, MUST REPLACE #15,#16, #25, #31, #33, #34, #35 WITH 061181-000, 061191-000, AND 061179-000)		EA	
32	016975-000	SUPPORT, FRONT VGIC530	1	EA	
33	PK000009	Drip Tray Guide - LH	1	EA	
Not Shown	NOTE	(IF REPLACED, MUST REPLACE #15,#16, #25, #31, #33, #34, #35 WITH 061181-000, 061191-000, AND 061179-000)		EA	
34	PK000007	DRIP TRAY GUIDE - LH (VGRT)	1	EA	NO LONGER AVAILABLE
Not Shown	NOTE	(IF REPLACED, MUST REPLACE #15,#16, #25, #31, #33, #34, #35 WITH 061181-000, 061191-000, AND 061179-000)		EA	
35	015504-000	BRACKET, SLIDE LH	1	EA	





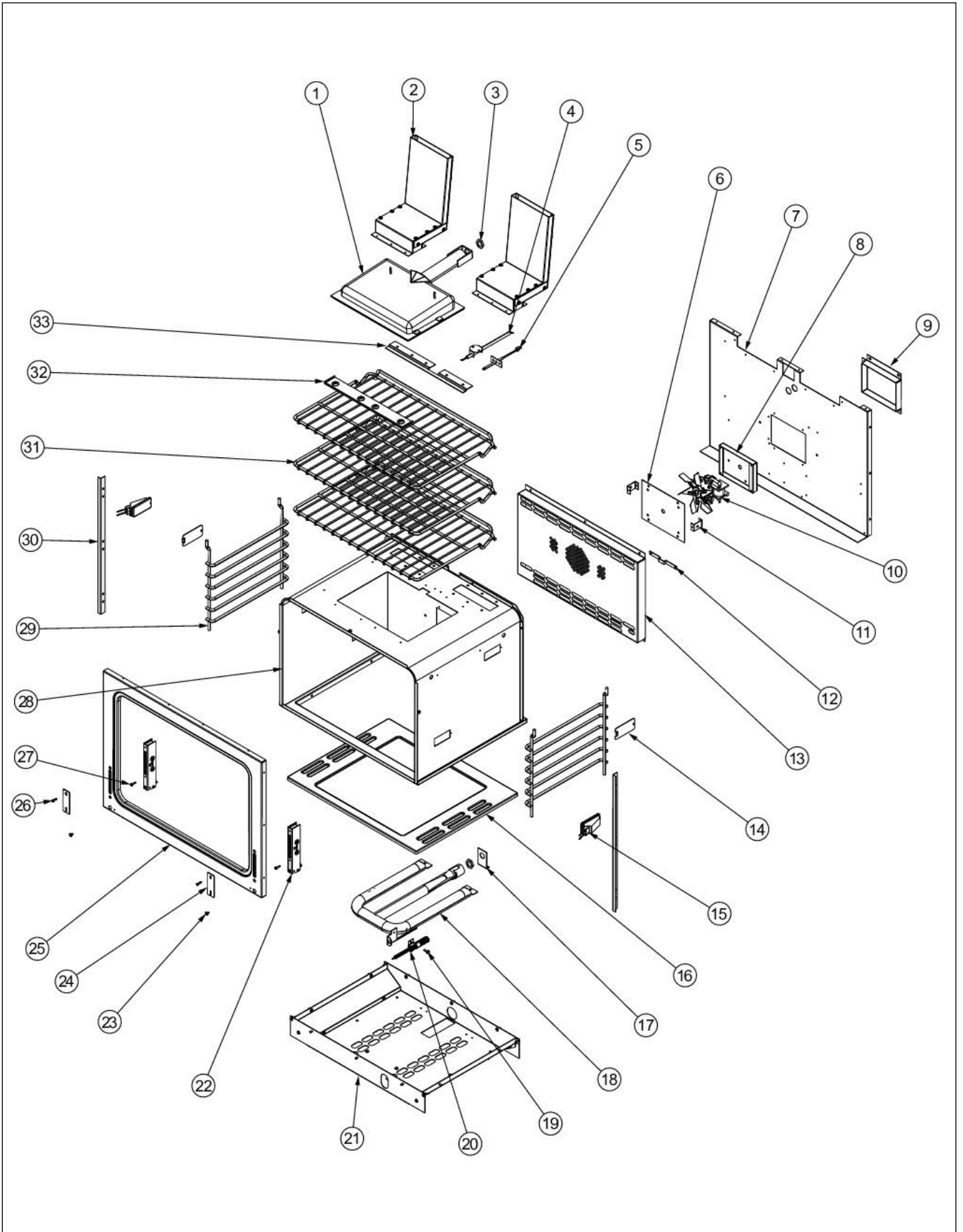
Item	Part No.	Name	Qty	Uom	NOTES
Not Shown	NOTE	(IF REPLACED, MUST REPLACE #15,#16, #25, #31, #33, #34, #35 WITH 061181-000, 061191-000, AND 061179-000)		EA	
NI	015505-000	BRACKET, SLIDE ASM LH	1	EA	
Not Shown	NOTE	(INCLUDES ITEMS 34 AND 35)		EA	
NI	G4002752	DRIP TRAY GROUND WIRE (VDSC)	1	EA	
NI	PB020112	3/8 SS FLEX TUBING - 36" T6-36	1	EA	
NI	PB040050	3/8CC MALE COMP. FITTING W/FERRULE	1	EA	
NI	059122-000	BRACKET, ANGL, AL	2	EA	
36	015529-000	TUBING, VALVE, RH OVEN	1	EA	

OVEN CAVITY



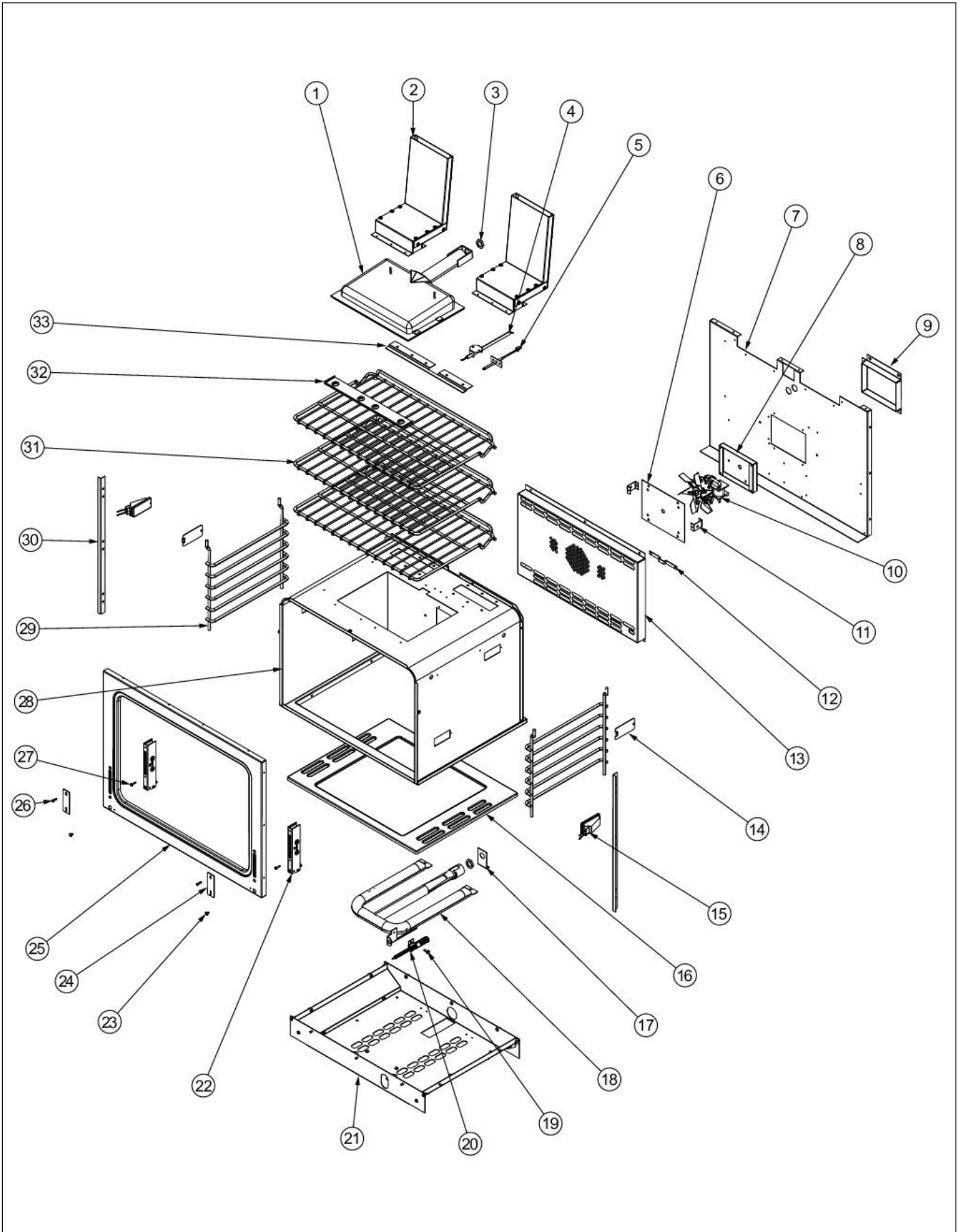


Item	Part No.	Name	Qty	Uom	NOTES
1	G3001876	IR BURNER ASSY (VGSC/RC) N/S	1	EA	
2	006192-000	VENT, ASM, OVEN ASSEMBLY	2	EA	
3	PD030018	PALNUT - 3/4-16	2	EA	
4	PB040171	BROIL IGNITION ELECTRODE	1	EA	
5	PE050206	RTD THERMOSTAT PROBE	1	EA	
6	A1002596	CONVECTION FAN COVER (VDSC)	1	EA	
7	020404-000	FLAT PANEL	1	EA	
8	A2002595	CONVECTION FAN BOX (VDSC)	1	EA	
9	A2008467	INSULATION SHIELD	1	EA	
Not Shown	NOTE	(NO LONGER USED ON THIS MODEL)		EA	
10	PE050057	CONVECTION FAN (VGSC306)	1	EA	
Not Shown	NOTE	(BEFORE 8/31/11)		EA	
10	023090-000	MOTOR, CONV ASM	1	EA	
Not Shown	NOTE	(ON OR AFTER 8/31/11)		EA	
11	A2001361	BACK SPACER (VGSC/VGSS)	2	EA	
12	A2004428	REAR BOTTOM BRCKT (VGSC306)	1	EA	
Not Shown	NOTE	(BEFORE 8/31/11)		EA	
13	G9104482	CONVECTION FAN COVER ASSY (VGSC306)	1	EA	
Not Shown	NOTE	(BEFORE 04/28/10)		EA	
13	021225-403	COVER, CNVN, ASM, GY PORC	1	EA	
Not Shown	NOTE	(BETWEEN 04/28/10 THRU 12/20/12)		EA	
13	021225-402	COVER, CNVN, ASM, BK PORC	1	EA	
Not Shown	NOTE	(BETWEEN 12/20/12 THRU 11/30/17)		EA	
13	013580-402	CONV COVER W/BK PORC	1	EA	
Not Shown	NOTE	(ON OR AFTER 11/30/17)		EA	
14	E91012614	LIGHT HOLE COVER	2	EA	





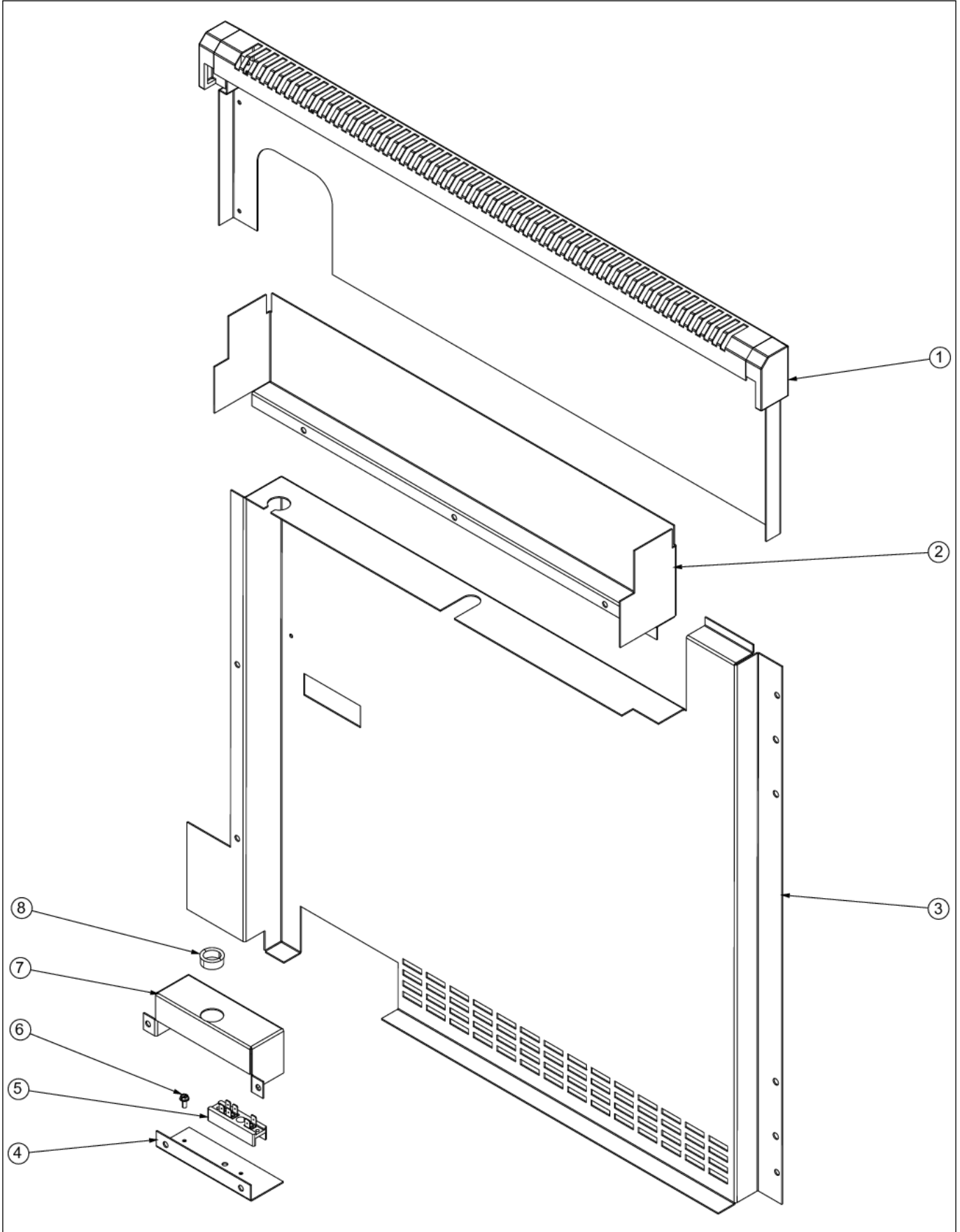
Item	Part No.	Name	Qty	Uom	NOTES
15	068653-601	LIGHT, 120V/25W, G9, HALOGEN, SIDE (REPLACEMENT BULB USE 074235-000)	2	EA	
16	066203-000	OVEN, BOTTOM, ASM,PORCELAIN, BK	1	EA	
17	005529-000	BAKE ORIFICE MOUNTING BRACKET	1	EA	
Not Shown	NOTE	(BEFORE 2/11/13)		EA	
17	040736-000	BRKT, ORF	1	EA	
Not Shown	NOTE	(ON OR AFTER 2/11/13)		EA	
18	044096-000	BURNER, BAKE, ASM, 30"	1	EA	
18	044246-000	BURNER, BAKE, ASM, 30"- LP	1	EA	
19	023005-000	SCREW-SM	1	EA	
20	PB040170	BAKE IGNITION ELECTRODE	1	EA	
21	005102-000	BURNER PAN ASSEMBLY	1	EA	
22	031679-000	RECEPTACLE, HINGE	2	EA	
23	PD020032	SRW-8(A)X3/8"PH.WFR HD 7/16DIA*NICL	2	EA	
24	007278-000	ARM HINGE CLIP	2	EA	
Not Shown	NTOE	(BEFORE 01/02/13)		EA	
24	049718-402	CLIP, RETAINER, HINGE, GLOSS BLACK ENAMEL	2	EA	
Not Shown	NOTE	(AFTER 01/02/13)		EA	
25	005373-000	30" FRONT FRAME WELD ASSY	1	EA	
26	PD020061	' #8 X 3/4 FLAT HD TEK. *SS*	2	EA	
27	PD020232	#8 X 3/4" PH PAN HEAD TEK SCREW (BLACK OXIDE)	2	EA	
28	005047-000	OVEN CAVITY WELD	1	EA	Not available online / Call for pricing and availability
29	PB060030	RACK SUPT REPL PB060010	2	EA	
Not Shown	NOTE	BEFORE 12/20/12		EA	
29	066225-402	GUIDE, RACK, RH- BK	2	EA	





Item	Part No.	Name	Qty	Uom	NOTES
Not Shown	NOTE	(ON OR AFTER 12/20/12		EA	
30	005536-000	TRIM	2	EA	
31	065467-000	RACK, PRO, W/HDL, 30"	3	EA	
32	B2001448	IR BROIL SUPT (FRONT)	1	EA	
33	B2005589	REAR BROILER BRACKET	2	EA	Not available online / Call for pricing and availability
NI	PD030118	INSULATED CLAMP	1	EA	
NI	058554-000	90 DEG ORIFICE FITTING, #34	1	EA	
NI	PB040071	NATURAL BAKE ORIFICE #35	1	EA	
Not Shown	NOTE	(NAT ORIFICE FOR BAKE)		EA	
NI	048028-000	90 DEG ORIFICE FITTING #51 DRILL	1	EA	
NI	PB040035	ORIFICE HOOD-#51 9701B1651	1	EA	
Not Shown	NOTE	(LP ORIFICE FOR BAKE)		EA	
NI	PB040040	ORIFICE-IR BURNER (VGSC) (NAT #47)	1	EA	
Not Shown	NOTE	(NAT ORIFICE FOR BROIL)		EA	
NI	PB040027	IR BUR.SPUD ORF. - #56 LP	1	EA	
Not Shown	NOTE	(LP ORIFICE FOR BROIL)		EA	

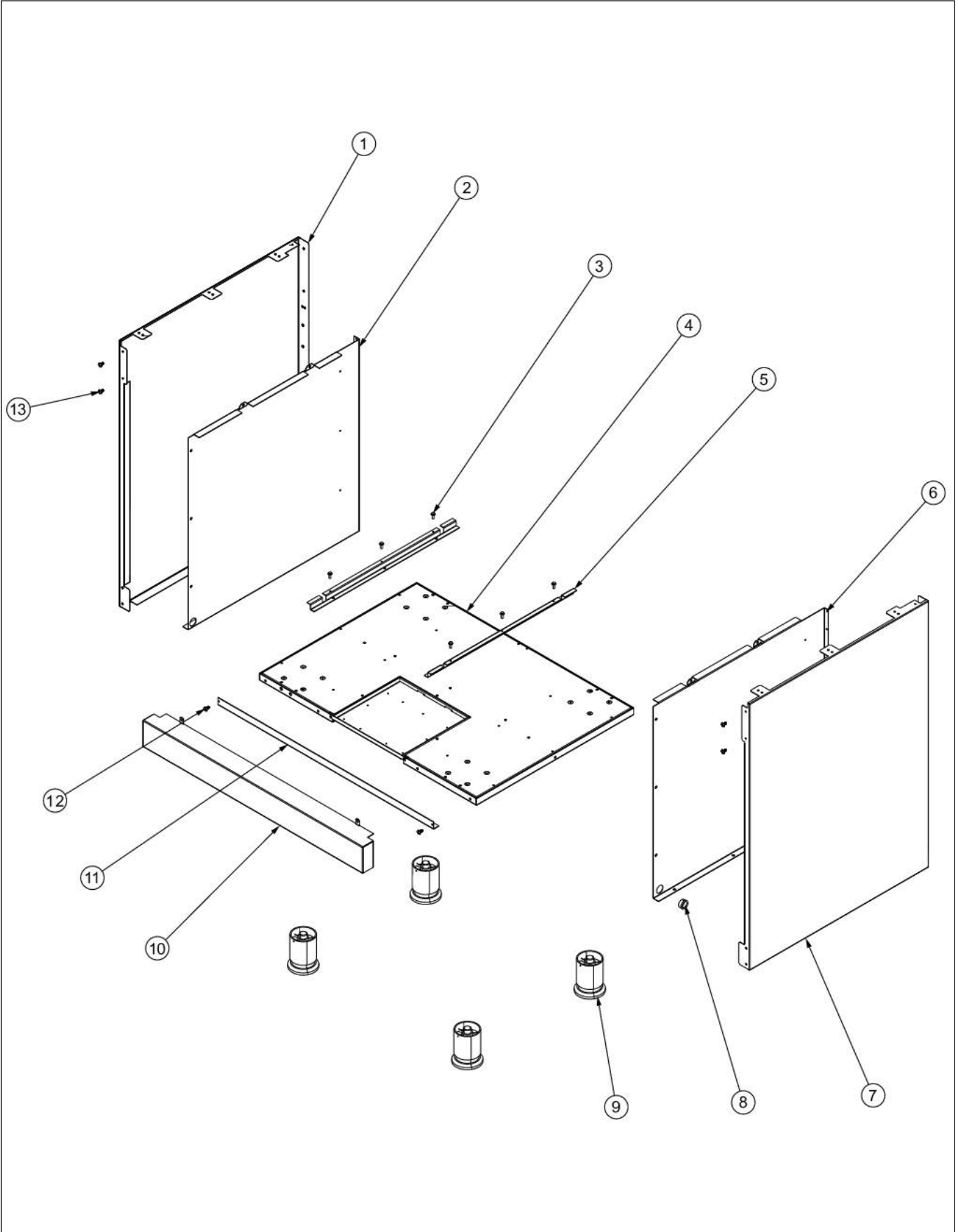
REAR SHEET METAL



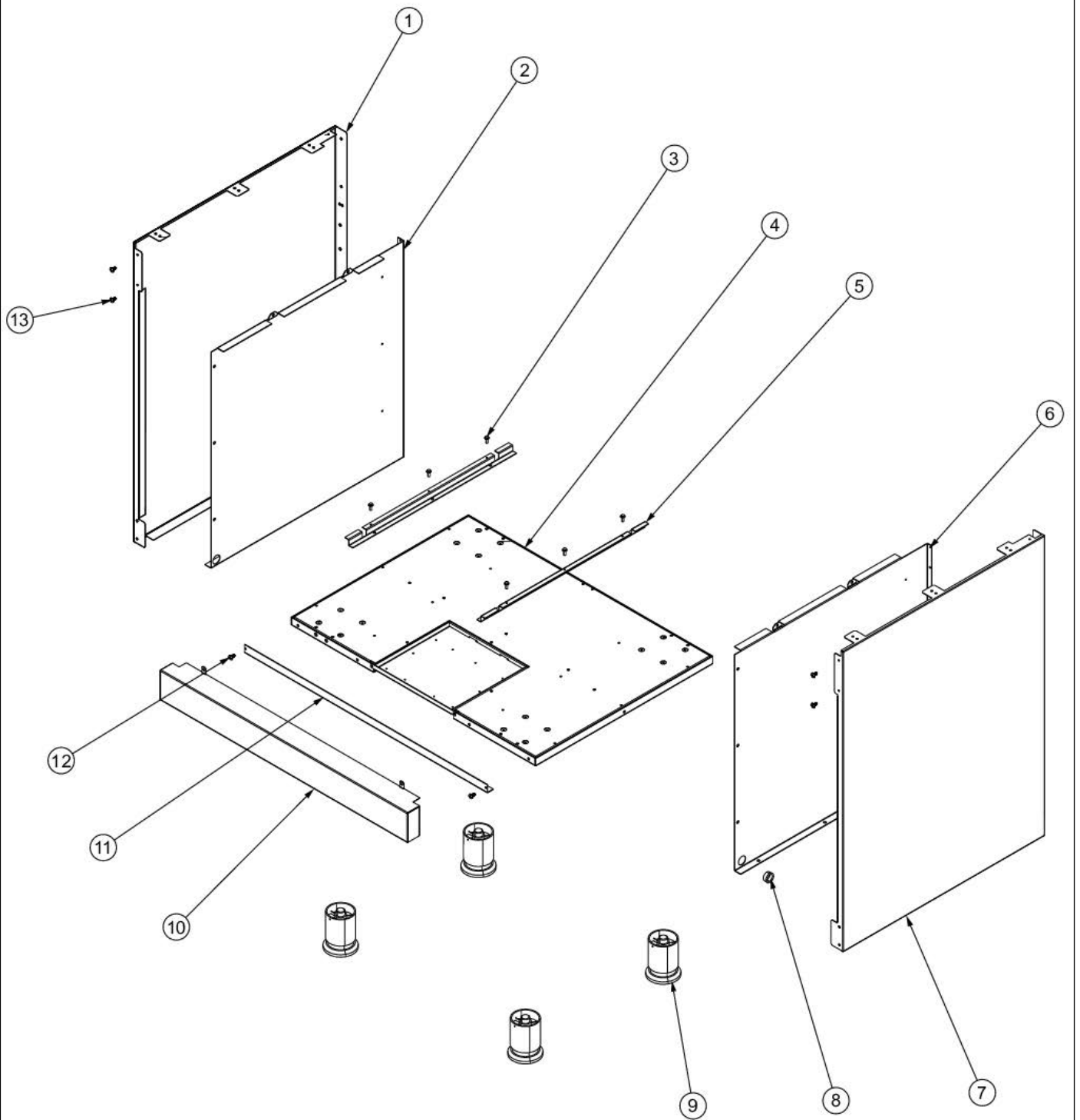


Item	Part No.	Name	Qty	Uom	NOTES
1	004464-000	TRIM, IS, ASM, REDESIGN, 30"	1	EA	
Not Shown	NOTE	(BEFORE 01/17/13)		EA	
1	041445-000	TRIM, IS, ASSY, 30"	1	EA	
Not Shown	NOTE	(ON OR AFTER 01/17/13)		EA	
2	019160-000	BACK COLLAR, 30"	1	EA	
3	032123-000	CABINET, BACK	1	EA	
4	007484-000	TERMINAL, BLOCK, BRACKET	1	EA	
5	007400-000	BLOCK, TERMINAL	1	EA	
6	PD020010	10 X 3/8 GREEN GROUNDING SCREW	1	EA	
7	031961-000	COVER, TERM. BLOCK	1	EA	
8	PD040005	SNAP BUSHING - 7/8	1	EA	
NI	023263-000	TOGGLE BOLT (3/16" X 2")	1	EA	

LOWER UNIT AND SIDE PANELS

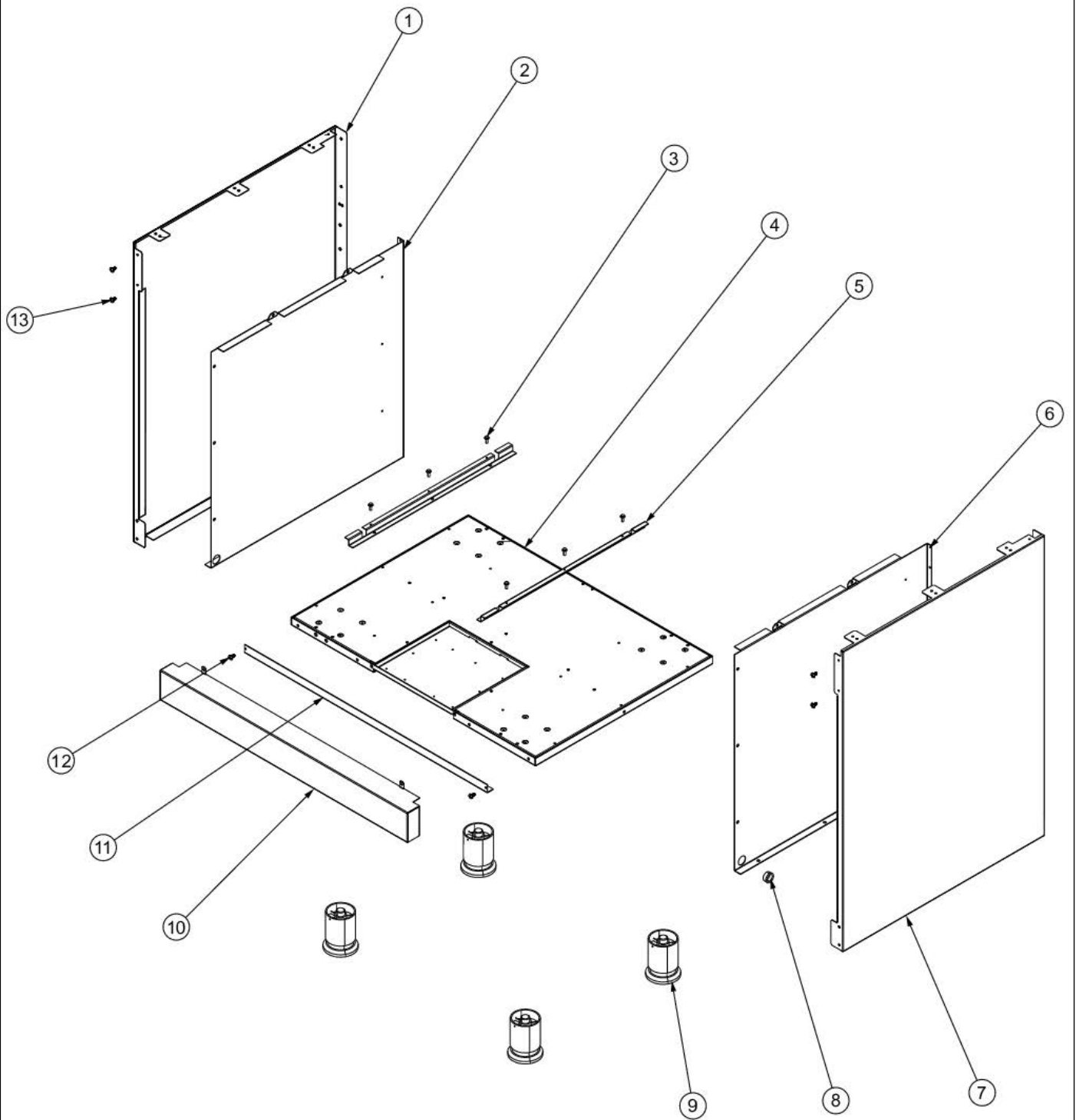


Item	Part No.	Name	Qty	Uom	NOTES
1	019123-000	PANEL, SIDE, LEFT	1	EA	
1	021310-002	PANEL, SIDE, LEFT BK	1	EA	
1	021310-003	PANEL, SIDE, LH BT	1	EA	
1	021310-004	PANEL, SIDE, LH SG	1	EA	
1	021310-005	PANEL, SIDE, LEFT GG	1	EA	
1	021310-006	PANEL, SIDE, LEFT WH	1	EA	
1	021310-008	PANEL, SIDE, LEFT BU	1	EA	
1	021310-009	PANEL, SIDE, LH LE	1	EA	
1	021310-010	PANEL, SIDE, LH MJ	1	EA	
1	021310-012	PANEL, SIDE, LH VB	1	EA	
1	021310-013	PANEL, SIDE, LEFT CB	1	EA	
1	021310-015	PANEL, SIDE, LH PL	1	EA	
1	021310-016	PANEL, SIDE, LH CH	1	EA	
1	021310-017	PANEL, SIDE, LH TP	1	EA	
1	021310-018	PANEL, SIDE, LH CW NLA	1	EA	
1	021310-019	PANEL, SIDE, LH OG	1	EA	
1	021310-020	PANEL, SIDE, LH GM	1	EA	
1	021310-021	PANEL, SIDE, LH SA	1	EA	
1	021310-022	PANEL, SIDE, LH SE	1	EA	
1	021310-023	PANEL, SIDE, LH IB	1	EA	
1	021310-024	PANEL, SIDE, LEFT AR	1	EA	
1	021310-025	PANEL, SIDE, LH RR	1	EA	
1	021310-026	PANEL, SIDE, LH PM	1	EA	
1	021310-027	PANEL, SIDE, LH MS	1	EA	
2	004482-000	INSULATION, PNL, SIDE, LH	1	EA	
3	PD020048	NO.10 X 1/2 TEK 410 SS SCREW	6	EA	
4	003056-000	BASE ASSEMBLY	1	EA	
5	A2004429	OVEN BOTTOM INSUL. BRACE (VGSC306)	2	EA	
6	004479-000	INSULATION, PNL, SIDE, RH	1	EA	
7	019124-000	PANEL, SIDE, RIGHT	1	EA	
7	021309-002	PANEL, SIDE, RIGHT BK	1	EA	
7	021309-003	PANEL, SIDE, RH BT	1	EA	



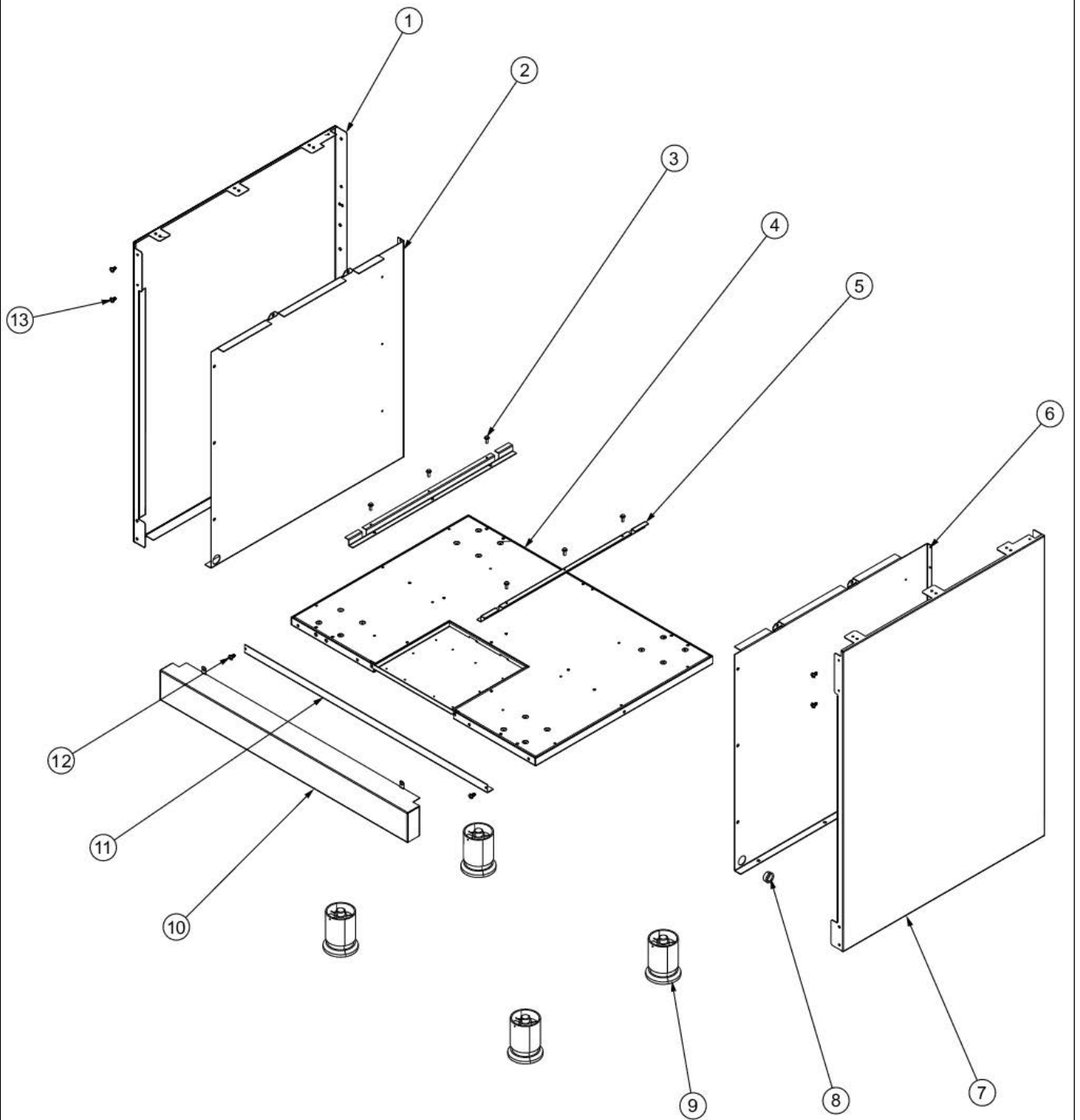


Item	Part No.	Name	Qty	Uom	NOTES
7	021309-004	PANEL, SIDE, RH SG	1	EA	
7	021309-005	PANEL, SIDE, RIGHT GG	1	EA	
7	021309-006	PANEL, SIDE, RIGHT WH	1	EA	
7	021309-008	PANEL, SIDE, RIGHT BU	1	EA	
7	021309--009	PANEL, SIDE, RH LE	1	EA	Not available online / Call for pricing and availability
7	021309-010	PANEL, SIDE, RH MJ	1	EA	
7	021309-012	PANEL, SIDE, RH VB	1	EA	
7	021309-013	PANEL, SIDE, RIGHT CB	1	EA	
7	021309-015	PANEL, SIDE, RH PL	1	EA	
7	021309-016	PANEL, SIDE, RH CH	1	EA	
7	021309-017	PANEL, SIDE, RH TP	1	EA	
7	021309-018	PANEL, SIDE, RH CW NLA	1	EA	
7	021309-019	PANEL, SIDE, RH OG	1	EA	
7	021309-020	PANEL, SIDE, RH GM	1	EA	
7	021309-021	PANEL, SIDE, RH SA	1	EA	
7	021309-022	PANEL, SIDE, RH SE	1	EA	
7	021309-023	PANEL, SIDE, RH IB	1	EA	
7	021309-024	PANEL, SIDE, RIGHT AR	1	EA	
7	021309-025	PANEL, SIDE, RH RR	1	EA	
7	021309-026	PANEL, SIDE, RH PM	1	EA	
7	021309-027	PANEL, SIDE, RH MS	1	EA	
8	PD040005	SNAP BUSHING - 7/8	1	EA	
9	044178-000	RANGE, LEG, ADJUSTABLE	4	EA	
10	006198-000	PANEL, ACS, 30", GSC	1	EA	
Not Shown	NOTE	(BEFORE 06/14/12)		EA	
10	035955-000	PANEL, ACS, 30", GSC	1	EA	
Not Shown	NOTE	(FROM 6/14/12 - 6/14/13)		EA	
10	038426-000	KICKPLATE,30"	1	EA	
Not Shown	NOTE	(ON OR AFTER 06/14/13)		EA	



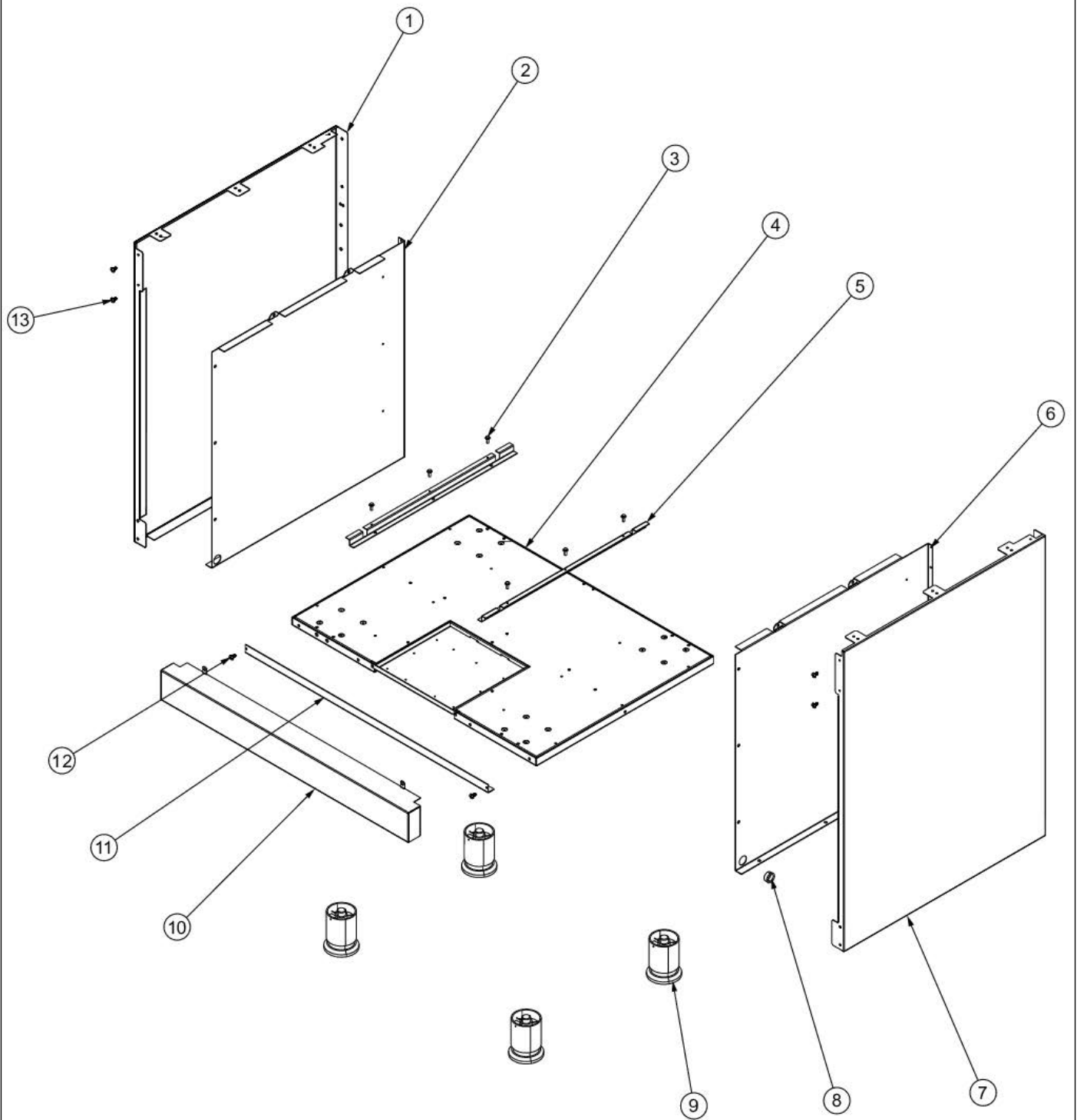


Item	Part No.	Name	Qty	Uom	NOTES
10	007361-002	PANEL, ACS, 30", KICKPLATE, BK	1	EA	
Not Shown	NOTE	(BEFORE 06/14/13)		EA	
10	038577-002	KICKPLATE, 30" BK	1	EA	
Not Shown	NOTE	(ON OR AFTER 06/14/13)		EA	
10	007361-003	PANEL, ACS, 30", KICKPLATE, BT	1	EA	
Not Shown	NOTE	(BEFORE 06/14/13)		EA	
10	038577-003	KICKPLATE 30" BT	1	EA	
Not Shown	NOTE	(ON OR AFTER 06/14/13)		EA	
10	007361-004	PANEL, ACS, 30", KICKPLATE, SG	1	EA	
Not Shown	NOTE	(BEFORE 06/14/13)		EA	
10	038577-004	KICKPLATE 30" SG	1	EA	
Not Shown	NOTE	(ON OR AFTER 06/14/13)		EA	
10	007361-005	PANEL, ACS, 30", KICKPLATE, GG	1	EA	
Not Shown	NOTE	(BEFORE 06/14/13)		EA	
10	038577-005	KICKPLATE, 30" GG	1	EA	
Not Shown	NOTE	(ON OR AFTER 06/14/13)		EA	
10	007361-006	PANEL, ACS, 30", KICKPLATE, WH	1	EA	
Not Shown	NOTE	(BEFORE 06/14/13)		EA	
10	038577-006	KICKPLATE, 30" WH	1	EA	
Not Shown	NOTE	(ON OR AFTER 06/14/13)		EA	
10	007361-008	PANEL, ACS, 30", KICKPLATE, BU	1	EA	
Not Shown	NOTE	(BEFORE 06/14/13)		EA	
10	038577-008	KICKPLATE, 30" BU	1	EA	
Not Shown	NOTE	(ON OR AFTER 06/14/13)		EA	



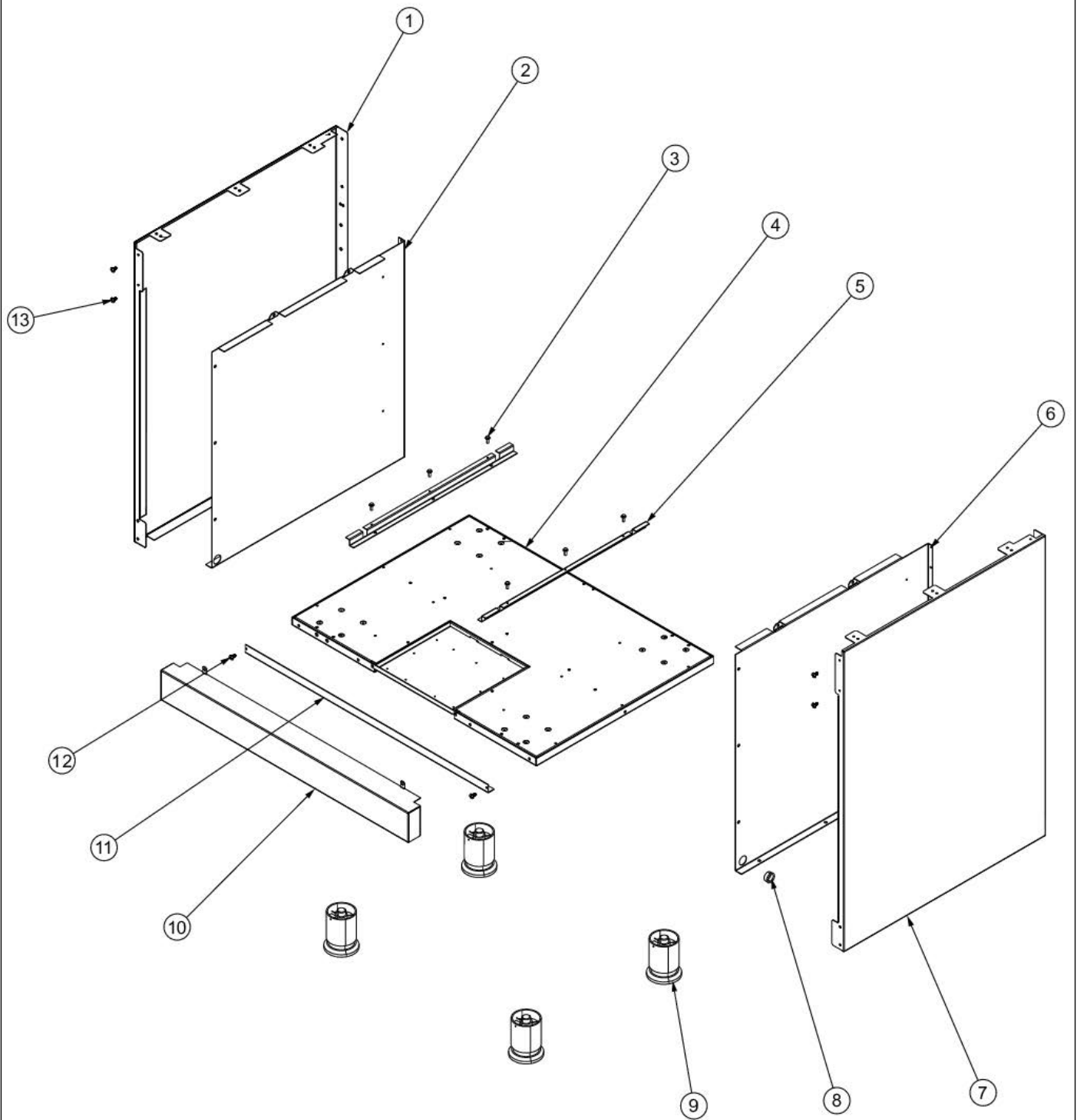


Item	Part No.	Name	Qty	Uom	NOTES
10	007361-009	PANEL, ACS, 30", KICKPLATE, LE	1	EA	
Not Shown	NOTE	(BEFORE 06/14/13)		EA	
10	038577-009	KICKPLATE 30" LE	1	EA	
Not Shown	NOTE	(ON OR AFTER 06/14/13)		EA	
10	007361-010	PANEL, ACS, 30", KICKPLATE, MJ	1	EA	
Not Shown	NOTE	(BEFORE 06/14/13)		EA	
10	038577-010	KICKPLATE 30" MJ	1	EA	
Not Shown	NOTE	(ON OR AFTER 06/14/13)		EA	
10	007361-012	PANEL, ACS, 30", KICKPLATE, VB	1	EA	
Not Shown	NOTE	(BEFORE 06/14/13)		EA	
10	038577-012	KICKPLATE 30" VB	1	EA	
Not Shown	NOTE	(ON OR AFTER 06/14/13)		EA	
10	007361-013	PANEL, ACS, 30", KICKPLATE, CB	1	EA	
Not Shown	NOTE	(BEFORE 06/14/13)		EA	
10	038577-013	KICKPLATE, 30" CB	1	EA	
Not Shown	NOTE	(ON OR AFTER 06/14/13)		EA	
10	007361-015	PANEL, ACS, 30", KICKPLATE, PL	1	EA	
Not Shown	NOTE	(BEFORE 06/14/13)		EA	
10	038577-015	KICKPLATE 30" CH	1	EA	
Not Shown	NOTE	(ON OR AFTER 06/14/13)		EA	
10	007361-016	PANEL, ACS, 30", KICKPLATE, CH	1	EA	Not available online / Call for pricing and availability
Not Shown	NOTE	(BEFORE 06/14/13)		EA	
10	038577-015	KICKPLATE 30" CH	1	EA	



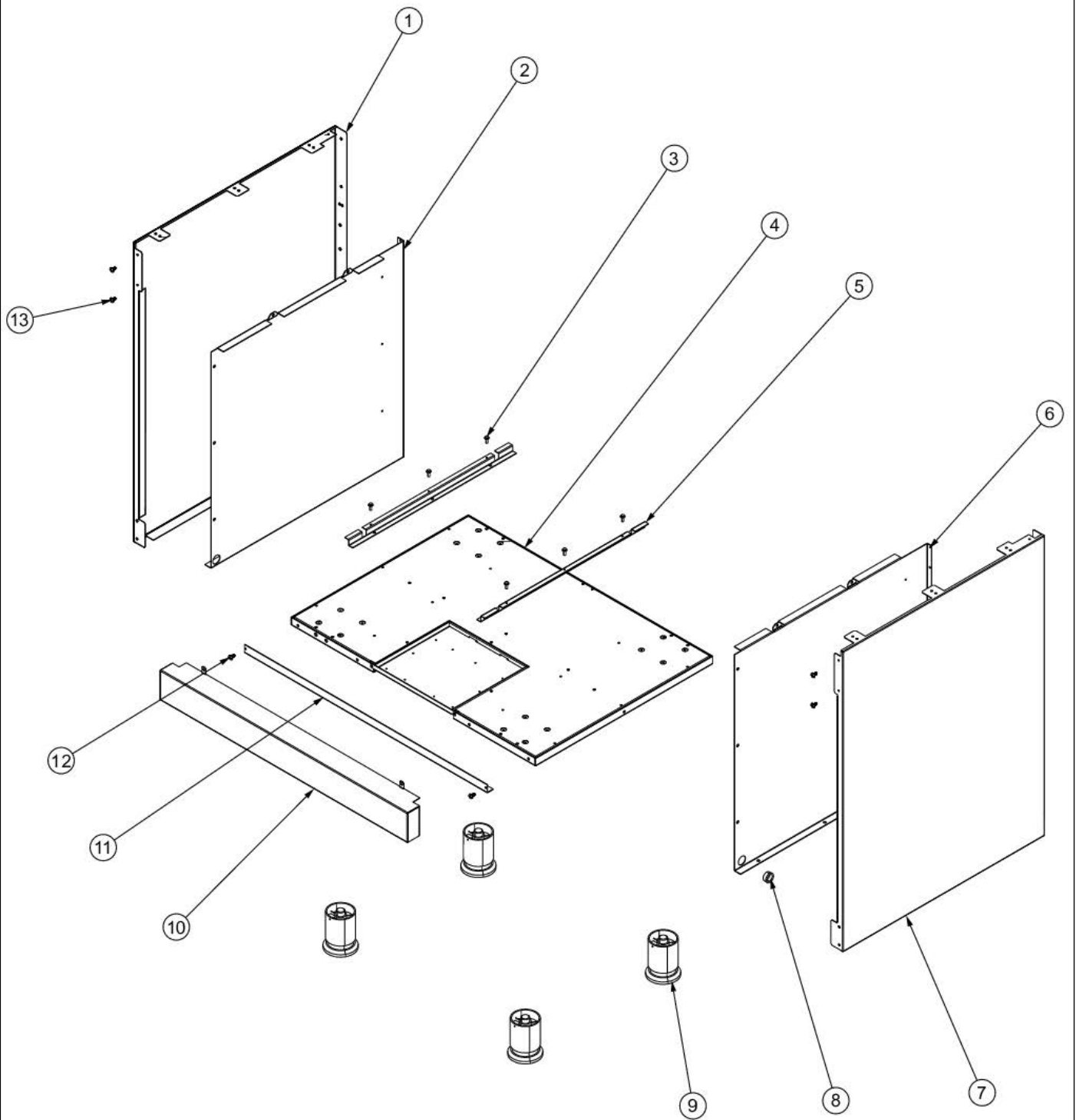


Item	Part No.	Name	Qty	Uom	NOTES
Not Shown	NOTE	(ON OR AFTER 06/14/13)		EA	
10	007361-017	PANEL, ACS, 30" KICKPLATE, TP	1	EA	
Not Shown	NOTE	(BEFORE 06/14/13)		EA	
10	038577-017	KICKPLATE 30" OG	1	EA	
Not Shown	NOTE	(ON OR AFTER 06/14/13)		EA	
10	007361-018	PANEL, ACS, 30" KICKPLATE, CW NLA	1	EA	
Not Shown	NOTE	(BEFORE 06/14/13)		EA	
10	038577-017	KICKPLATE 30" OG	1	EA	
Not Shown	NOTE	(ON OR AFTER 06/14/13)		EA	
10	007361-019	PANEL, ACS, 30", KICKPLATE, OG	1	EA	
Not Shown	NOTE	(BEFORE 06/14/13)		EA	
10	038577-017	KICKPLATE 30" OG	1	EA	
Not Shown	NOTE	(ON OR AFTER 06/14/13)		EA	
10	007361-020	PANEL, ACS, 30", KICKPLATE, GM	1	EA	
Not Shown	NOTE	(BEFORE 06/14/13)		EA	
10	038577-020	KICKPLATE 30" GM	1	EA	
Not Shown	NOTE	(ON OR AFTER 06/14/13)		EA	
10	007361-021	PANEL, ACS, 30", KICKPLATE, SA	1	EA	
Not Shown	NOTE	(BEFORE 06/14/13)		EA	
10	038577-021	KICKPLATE 30" SA	1	EA	
Not Shown	NOTE	(ON OR AFTER 06/14/13)		EA	
10	007361-022	PANEL, ACS, 30" KICKPLATE, SE	1	EA	Not available online / Call for pricing and availability
Not Shown	NOTE	(BEFORE 06/14/13)		EA	





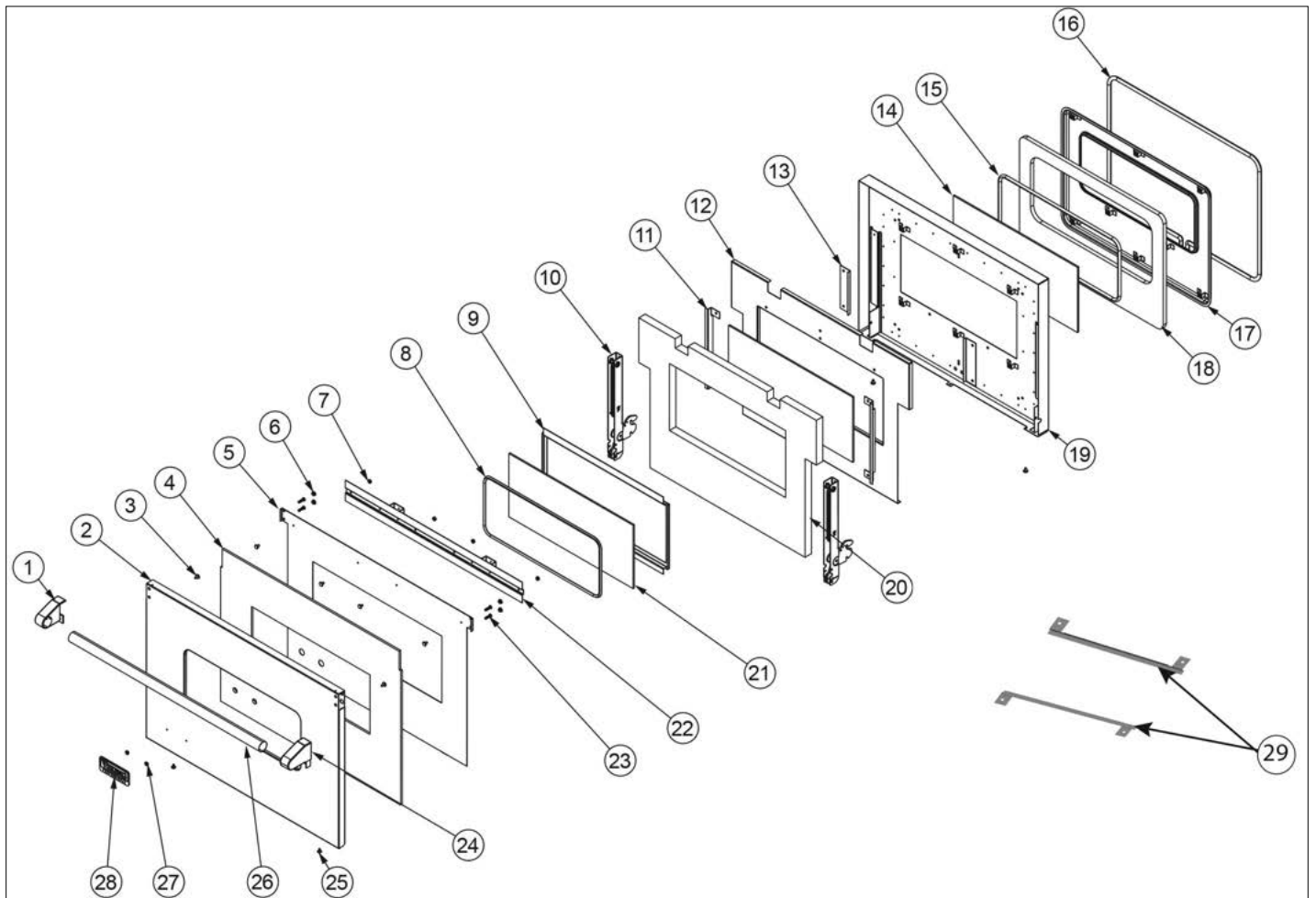
Item	Part No.	Name	Qty	Uom	NOTES
10	038577-022	KICKPLATE 30" SE	1	EA	
Not Shown	NOTE	(ON OR AFTER 06/14/13)		EA	
10	007361-023	PANEL, ACS, 30", KICKPLATE, IB	1	EA	
Not Shown	NOTE	(BEFORE 06/14/13)		EA	
10	038577-023	KICKPLATE 30" IB	1	EA	
Not Shown	NOTE	(ON OR AFTER 06/14/13)		EA	
10	007361-024	PANEL, ACS, 30", KICKPLATE, AR	1	EA	
Not Shown	NOTE	(BEFORE 06/14/13)		EA	
10	038577-024	KICKPLATE, 30" AR	1	EA	
Not Shown	NOTE	(ON OR AFTER 06/14/13)		EA	
10	007361-025	PANEL, ACS, 30", KICKPLATE, RR	1	EA	
Not Shown	NOTE	(BEFORE 06/14/13)		EA	
10	038577-025	KICKPLATE 30" RR	1	EA	
Not Shown	NOTE	(ON OR AFTER 06/14/13)		EA	
10	007361-026	PANEL, ACS, 30", KICKPLATE, PM	1	EA	
Not Shown	NOTE	(BEFORE 06/14/13)		EA	
10	038577-026	KICKPLATE, 30" PM	1	EA	
Not Shown	NOTE	(ON OR AFTER 06/14/13)		EA	
10	007361-027	PANEL, ACS, 30", KICKPLATE, MS	1	EA	
Not Shown	NOTE	(BEFORE 06/14/13)		EA	
10	038577-027	KICKPLATE 30" MS	1	EA	
Not Shown	NOTE	(ON OR AFTER 06/14/13)		EA	
11	006199-000	SPACER, BOT, 30", GSC	1	EA	
12	003801-000	SHOULDER SCREW, #10	2	EA	





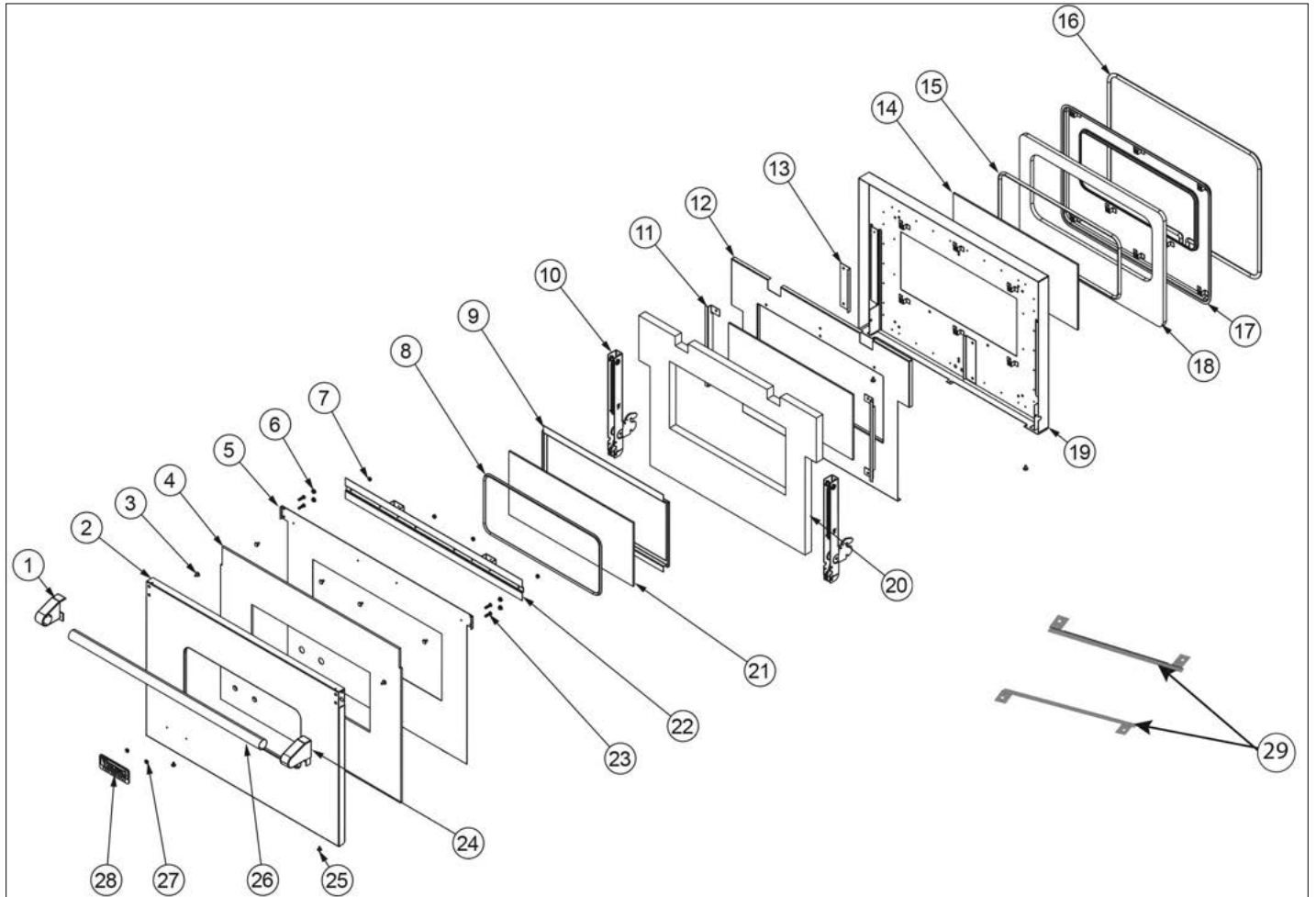
Item	Part No.	Name	Qty	Uom	NOTES
13	014143-000	SCR 10-12 A SHLD TRP 1/2 S ZN BLUE	4	EA	

VGIC53014-REV00 Door parts





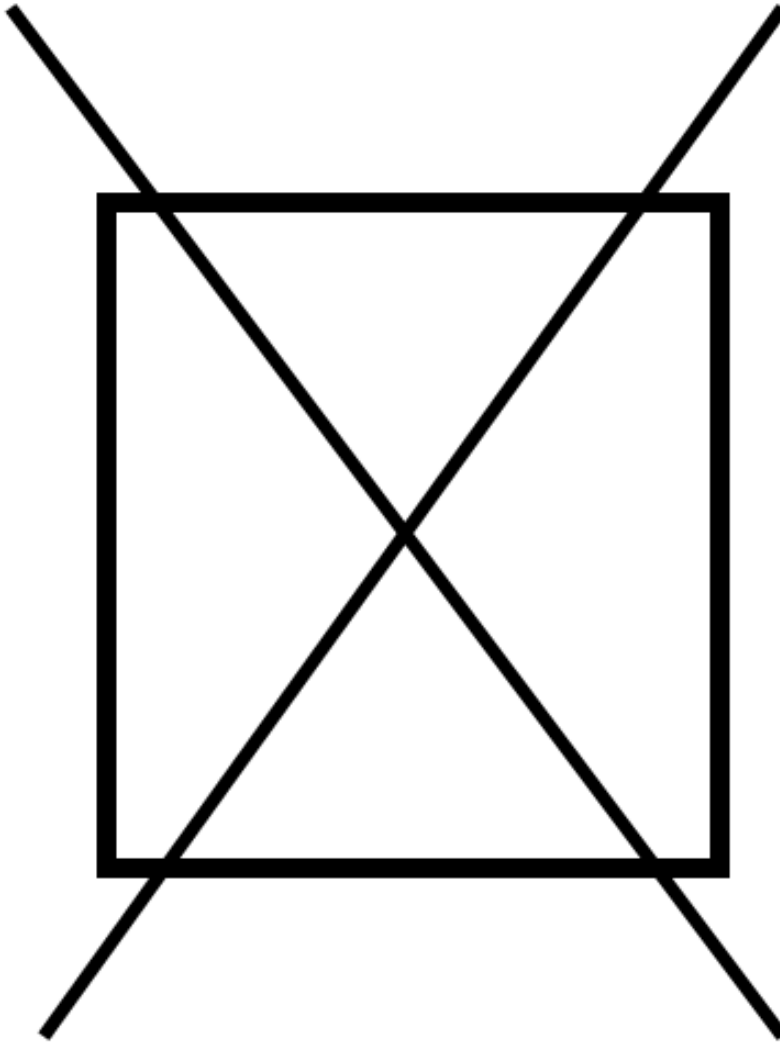
Item	Part No.	Name	Qty	Uom	NOTES
1	003011-000	DOOR HANDLE ENDCAP ASSY, LH (CHROME)	1	EA	
1	003011-100	DOOR HANDLE ENDCAP ASSY, LH (BRASS)	1	EA	
2	023453-000	SVC DOOR SKIN KIT, VGSC, IC, CC 30"SS	1	EA	
2	023454-002	SVC DOOR SKIN KIT, VGSC, IC, CC 30" BK	1	EA	
2	023454-005	SVC DOOR SKIN KIT, VGSC, IC, CC 30" GG	1	EA	
2	023454-006	SVC DOOR SKIN KIT, VGSC, IC, CC 30" WH	1	EA	
2	023454-008	SVC DOOR SKIN KIT, VGSC, IC, CC 30" BU	1	EA	Not available online / Call for pricing and availability
2	023454-013	SVC DOOR SKIN KIT, VGSC, IC, CC 30" CB	1	EA	
3	PD020033	SRW-#10-24X1/2"T(23)PH.WFR HD (NKL)	8	EA	
4	004685-000	INSULATION, DOOR, PANEL	1	EA	
5	004684-000	PANEL, DOOR, INSULATION, GSC	1	EA	
6	004907-000	STEEL FINISHING PLUG, NICKEL PLTD 25/64" HOLE	4	EA	
7	PD030010	#10-24 KEPS NUT ZINC PLATED	4	EA	
8	PE060031	J-MOLD (LARGE WINDOW)	1	EA	
Not Shown	NOTE	(NOT FIELD REPLACEABLE - MUST ORDER ITEM # 2)		EA	
9	008097-000	FRAME, GLASS, ALUMINUM	1	EA	
Not Shown	NOTE	(NOT FIELD REPLACEABLE - MUST ORDER ITEM # 2)		EA	
10	002740-000	DOOR HINGE	2	EA	See TC-0121-SP Service Bulletin
11	007583-000	BRACKET, GLASS	2	EA	
12	004688-000	DOOR PANEL INSULATION LINER	1	EA	
13	A2002189	DOOR GLASS STANDOFF (VDSC)	2	EA	
14	PE060039	GLASS-HEAT TREATED (HB2) VDSC	2	EA	





Item	Part No.	Name	Qty	Uom	NOTES
15	000594-000	BLACK FIBERGLASS ROPE 3/8"	1	EA	
16	000042-000	30" DOOR GASKET	1	EA	
17	001142-000	PLUG, DOOR, ASM, PROCELAIN	1	EA	
Comments for Part Num. 001142-000					
bradleysapplianceservice@shaw.ca on Nov 2, 2015					
001142-000 PLUG, DOOR, ASM, PORCELAIN (GREY WITH WHITE SPECS) OLD STYLE					
001142-402 PLUG, DOOR, ASM, PORCELAIN BK (BLACK LINER) NEW STYLE					
18	002560-000	DOOR PLUG INSULATION	1	EA	
19	004691-000	DOOR LINER ASSY		EA	
Comments for Part Num. 004691-000					
profixappliances@gmail.com on Dec 29, 2017					
004691-000 IS SPECKLED FINISH, FOR ALL BLACK FINISH ORDER 004691-402.					
20	005475-000	DOOR INSULATION	1	EA	
21	PE060030	OUTER DOOR GLASS	1	EA	
Not Shown	NOTE	(NOT FIELD REPLACEABLE - MUST ORDER ITEM # 2)		EA	
22	006553-000	DOOR BRACKET, WELD ASSY	1	EA	
23	030823-000	#10-32 PAN HEAD PHILLIPS MACHINE SCREW	4	EA	
24	003012-000	DOOR HANDLE ENDCAP ASSY, RH (CHROME)	1	EA	
24	003012-100	DOOR HANDLE ENDCAP ASSY, RH (BRASS) - NLA	1	EA	
25	PD020073	SRW #10 X 24 X 3/8 WAFER HD TYPE23	2	EA	
26	002728-000	DOOR HANDLE - SS, 1.25" 29.5	1	EA	
27	PD030006	CAPPED WASHER PAL NUT	2	EA	
28	PE010016	LOGO (ALL RANGES) *BK/CHR 307997W	1	EA	
28	PE010079	4.5" LOGO/VIKING PROF *BK/BR	1	EA	
29	007853-000	INSULATION, DOOR SKIN	2	EA	

NON
ILLUSTRATED PART





Item	Part No.	Name	Qty	Uom	NOTES
NI	023040-000	HARNESS, CNVN, SWITCH, ASM	1	EA	
NI	019195-000	WIRING HARNESS, VGIC5304B	1	EA	
Not Shown	NOTE	(BEFORE 01/10/11)		EA	
NI	040202-000	HARNESS, W, VGIC5304B	1	EA	
Not Shown	NOTE	(ON OR AFTER 01/10/11)		EA	
NI	017735-000	HARNESS, CONTROL BK/BR	1	EA	
Not Shown	NOTE	(BEFORE 12/20/12)		EA	
NI	036193-000	HARNESS, CONTROL, BK/BR	1	EA	
Not Shown	NOTE	(ON OR AFTER 12/20/12)		EA	
NI	007378-000	LIGHT SWITCH HARNESS	1	EA	
NI	006766-000	IRIS IGNITOR WIRE, BACK BURNER	1	EA	
NI	000647-000	IRIS IGNITOR WIRE, FRONT BURNER	1	EA	
NI	051439-000	VGIC530-4B SPILL GUTTER KIT FOR TC-0098-SP BULLETIN	1	EA	
NI	PE070889	IRIS HARNESS (24"/30")	1	EA	
NI	001911-000	WIRE, ASSY, BAKE IGNITOR	1	EA	
Not Shown	NOTE	(BEFORE 06/02/10)		EA	
NI	007298-000	BAKE IGNITOR WIRE, ASM	1	EA	
Not Shown	NOTE	(FROM 06/02/10 THRU 01/10/11)		EA	
NI	024606-000	WIRE, BAKE, ELECTRODE, ASM	1	EA	
Not Shown	NOTE	(ON OR AFTER 01/10/11)		EA	
NI	001914-000	WIRE, ASSY, BROIL IGNITOR	1	EA	
Not Shown	NOTE	(BEFORE 06/02/10)		EA	
NI	024605-000	WIRE, BRL, ELECTRODE, ASM	3	EA	
NI	023750-000	CORD, SUPPLY	1	EA	

Comments for Page: WIRING



VGIC53014BSS01

bradleysapplianceservice@shaw.ca on Dec 3, 2015
023750-000 POWER SUPPLY CORD 120VAC - VGCC/VGIC



Appendix A:Pages Index

BURNER BOX AREA 3
LOWER UNIT AND SIDE PANELS 6
OVEN CAVITY 4
REAR SHEET METAL5
SURFACE COOKING AREA 1
VGIC53014-REV00 Door parts 7
VGIC53014BSS-REV00 Control area parts 2
WIRING 8



Appendix B:Parts Index

000042-000	7	007298-000	8
000594-000	7	007361-002	6
000647-000	8	007361-003	6
001142-000	7	007361-004	6
001911-000	8	007361-005	6
001914-000	8	007361-006	6
002560-000	7	007361-008	6
002728-000	7	007361-009	6
002740-000	7	007361-010	6
003011-000	7	007361-012	6
003011-100	7	007361-013	6
003012-000	7	007361-015	6
003012-100	7	007361-016	6
003056-000	6	007361-017	6
003481-000	3	007361-018	6
003719-000	2	007361-019	6
003801-000	6	007361-020	6
004464-000	5	007361-021	6
004479-000	6	007361-022	6
004482-000	6	007361-023	6
004684-000	7	007361-024	6
004685-000	7	007361-025	6
004688-000	7	007361-026	6
004691-000	7	007361-027	6
004907-000	7	007378-000	8
005047-000	4	007400-000	5
005102-000	4	007484-000	5
005269-000	2	007583-000	7
005373-000	4	007853-000	7
005475-000	7	008097-000	7
005529-000	4	008416-000	2
005536-000	4	009112-000	3
006192-000	4	013386-000	2
006198-000	6	013580-402	4
006199-000	6	014143-000	6
006355-000	2	015485-000	3
006553-000	7	015486-000	3
006766-000	8	015493-000	3
007147-000	2	015496-000	1
007278-000	4	015497-000	1
		015500-000	3



015501-000	3	021309-023	6
015504-000	3	021309-024	6
015505-000	3	021309-025	6
015515-000	3	021309-026	6
015529-000	3	021309-027	6
015533-000	3	021310-002	6
015535-000	3	021310-003	6
016658-000	3	021310-004	6
016780-000	3	021310-005	6
016973-000	3	021310-006	6
016975-000	3	021310-008	6
016976-000	3	021310-009	6
016977-000	3	021310-010	6
016978-000	2	021310-012	6
016980-000	3	021310-013	6
017735-000	8	021310-015	6
019123-000	6	021310-016	6
019124-000	6	021310-017	6
019160-000	5	021310-018	6
019195-000	8	021310-019	6
020404-000	4	021310-020	6
021225-402	4	021310-021	6
021225-403	4	021310-022	6
021309-009	6	021310-023	6
021309-002	6	021310-024	6
021309-003	6	021310-025	6
021309-004	6	021310-026	6
021309-005	6	021310-027	6
021309-006	6	023005-000	4
021309-008	6	023040-000	8
021309-010	6	023090-000	4
021309-012	6	023263-000	5
021309-013	6	023405-000	2
021309-015	6	023453-000	7
021309-016	6	023454-002	7
021309-017	6	023454-005	7
021309-018	6	023454-006	7
021309-019	6	023454-008	7
021309-020	6	023454-013	7
021309-021	6	023501-000	2
021309-022	6	023651-000	3



023750-000	8	049718-402	4
024605-000	8	051428-000	2
024606-000	8	051439-000	8
030823-000	7	058554-000	4
031251-2255	2	059122-000	3
031679-000	4	065467-000	4
031961-000	5	066203-000	4
032123-000	5	066225-402	4
035881-000	2	066982-000	1
035891-000	2	068653-601	4
035955-000	6	072065-000	1
036193-000	8	A1002596	4
038426-000	6	A2001361	4
038577-002	6	A20014089	3
038577-003	6	A2002189	7
038577-004	6	A2002595	4
038577-005	6	A2004428	4
038577-006	6	A2004429	6
038577-008	6	A2008467	4
038577-009	6	B2001448	4
038577-010	6	B2005589	4
038577-012	6	E9101115BK	1
038577-013	6	E91012614	4
038577-015	6, 6	E9104416BK	1
038577-017	6, 6, 6	G3001876	4
038577-020	6	G4002752	3
038577-021	6	G9104482	4
038577-022	6	NTOE	4
038577-023	6	PA020028	3
038577-024	6	PA020056	3
038577-025	6	PA020058	2
038577-026	6	PA030002BK	1
038577-027	6	PA060037	1
040202-000	8	PA070003	2
040736-000	4	PB010304	2
041445-000	5	PB010304PVD	2
043663-000	3	PB020112	3
044096-000	4	PB040027	4
044178-000	6	PB040034	2
044246-000	4	PB040035	4
048028-000	4	PB040036	2



PB040040	4	PK000008	3
PB040050	3	PK000009	3
PB040071	4	PK000010	3
PB040170	4		
PB040171	4		
PB060030	4		
PB070079	3		
PD010012	2		
PD010017	1		
PD020004	3		
PD020010	3, 5		
PD020032	4		
PD020033	1, 3, 7		
PD020043	3		
PD020046	2		
PD020048	6		
PD020061	4		
PD020063	3		
PD020067	3		
PD020073	7		
PD020232	4		
PD020269	2		
PD030006	7		
PD030010	7		
PD030012	1		
PD030018	4		
PD030118	4		
PD040004	3		
PD040005	3, 5, 6		
PE010016	7		
PE010079	7		
PE050023	2		
PE050024	2		
PE050057	4		
PE050206	4		
PE060030	7		
PE060031	7		
PE060039	7		
PE070889	8		
PJ030039	3		
PK000007	3		