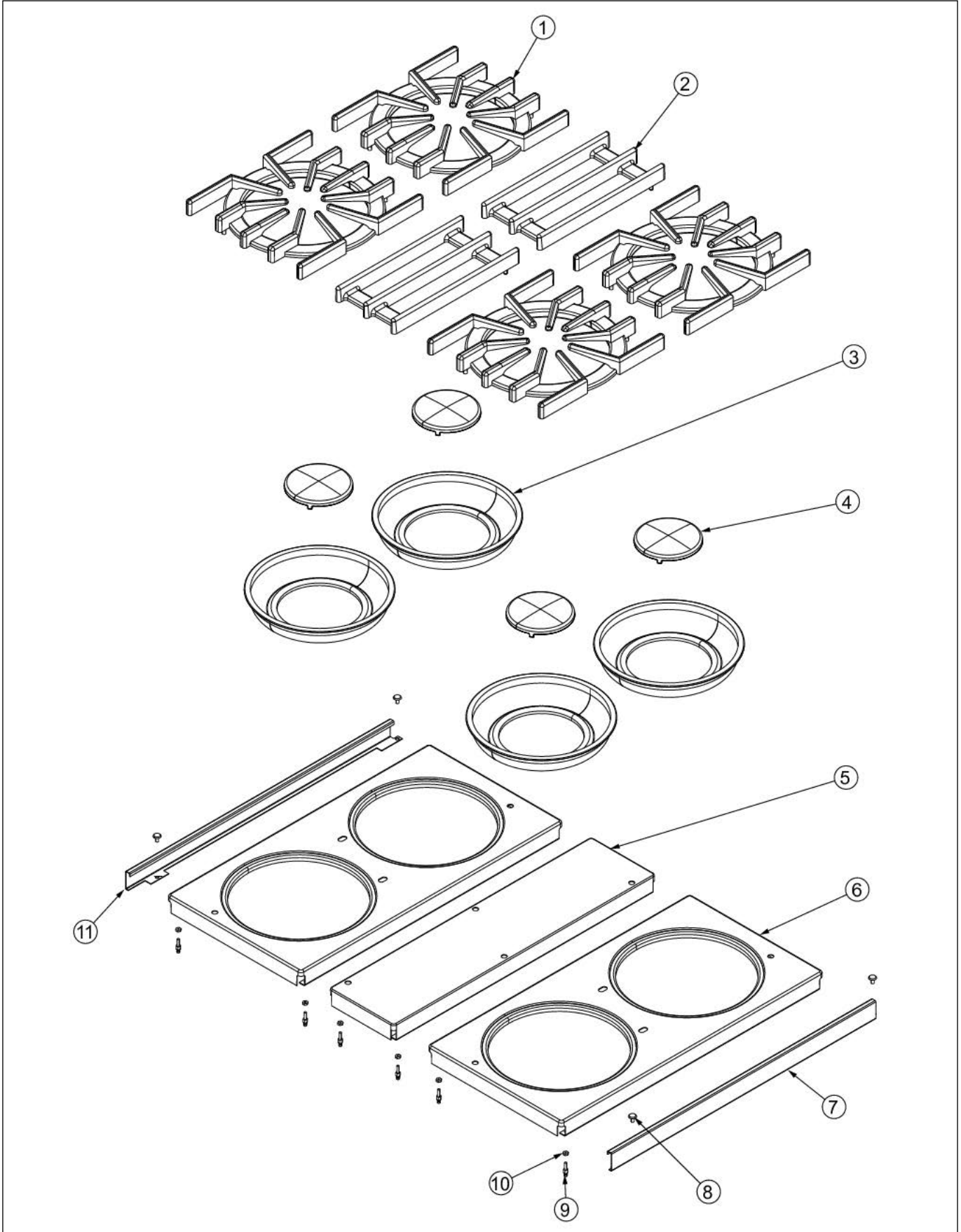


VGIC53014BSS

Freestanding range

| | |
|---|---|
| SURFACE COOKING AREA | 1 |
| VGIC53014BSS-REV00 Control area parts | 2 |
| OVEN CAVITY | 3 |
| REAR SHEET METAL | 4 |
| LOWER UNIT AND SIDE PANELS | 5 |
| VGIC53014-REV00 Door parts | 6 |
| WIRING | 7 |
| BURNER BOX AREA | 8 |
| Appendix A:Pages Index | A |
| Appendix B:Parts Index | B |

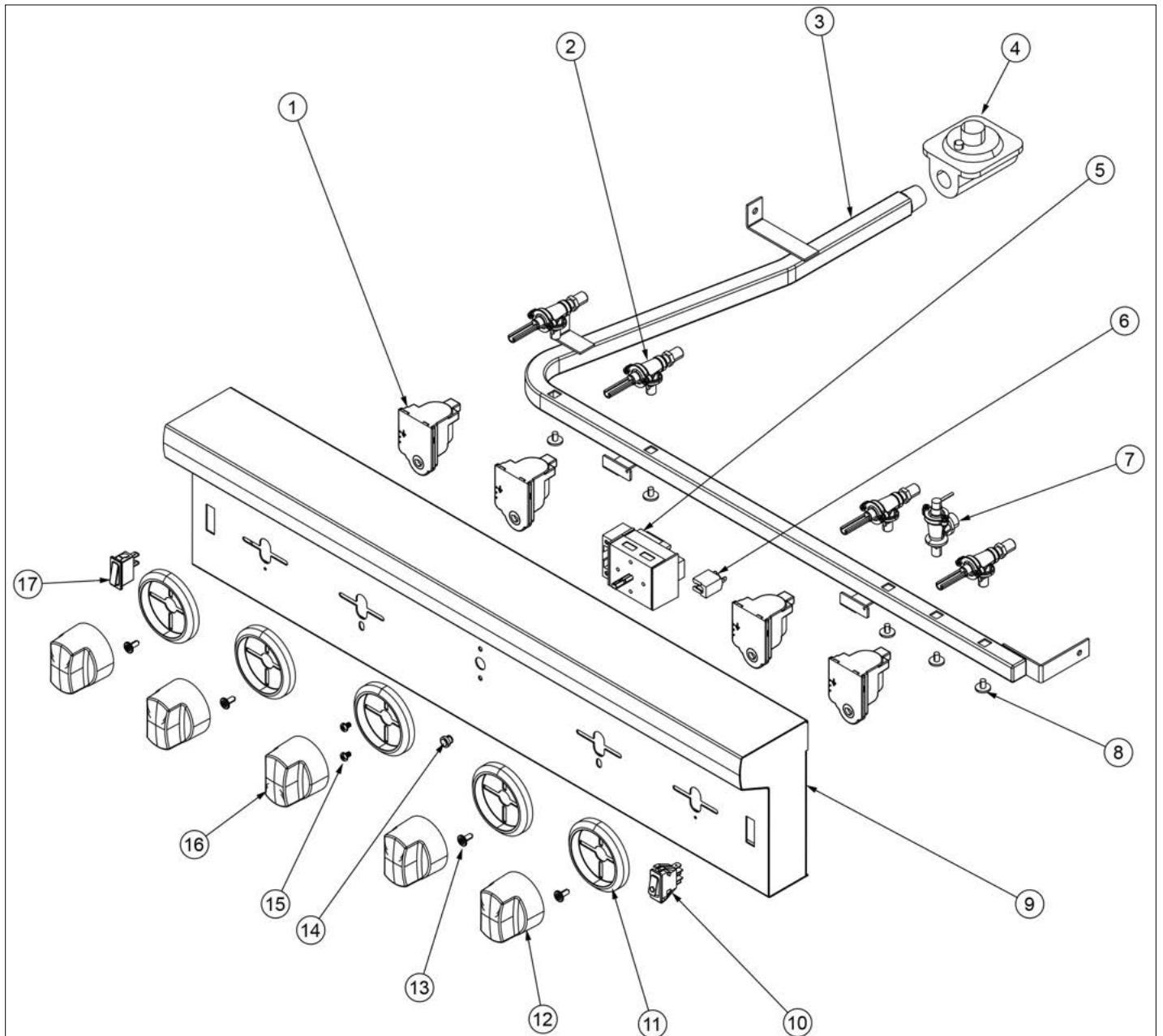
SURFACE COOKING AREA



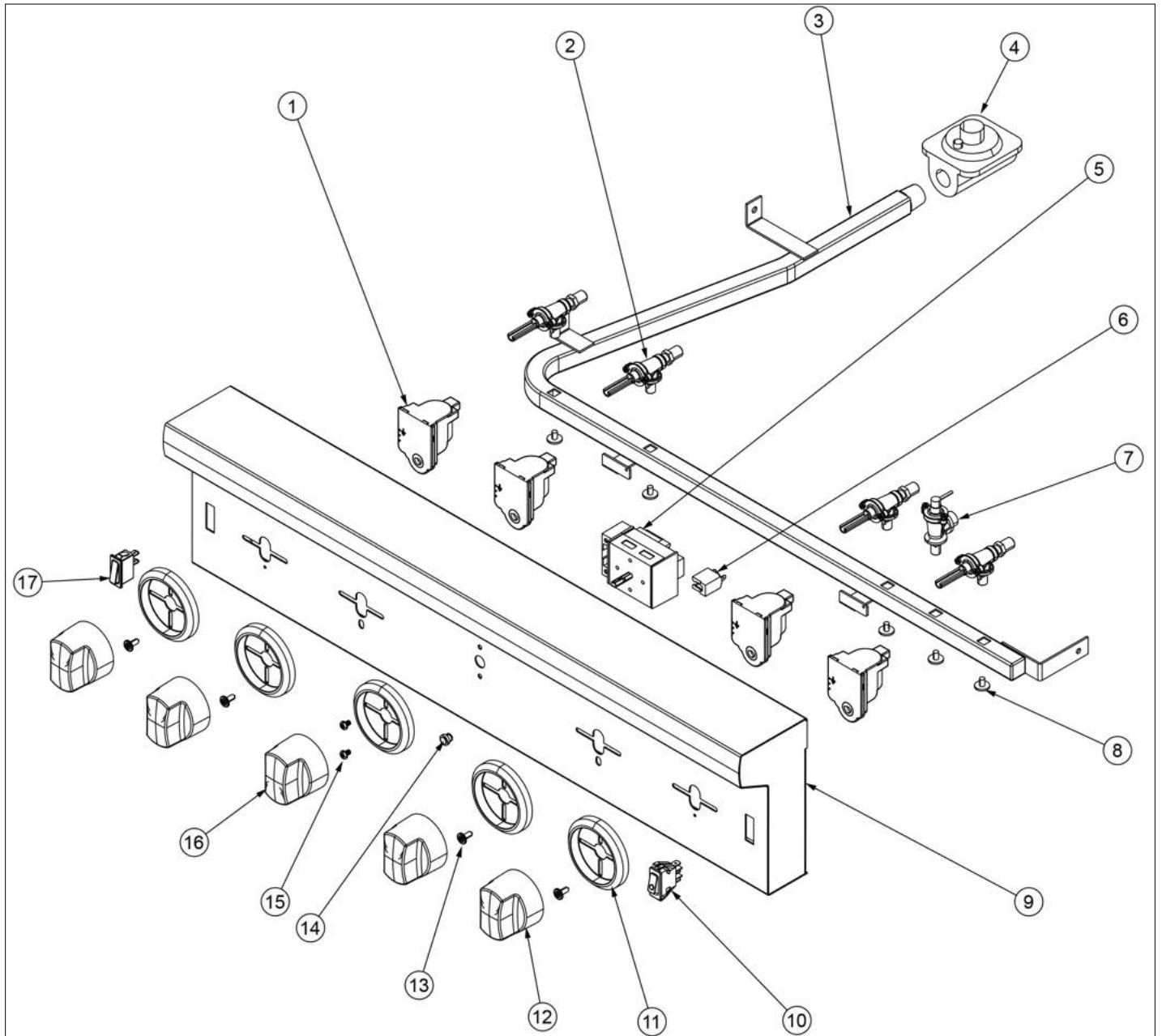


| Item | Part No. | Name | Qty | Uom | NOTES |
|--|------------|---|-----|-----|-------|
| 1 | PA060037 | GRATE BK REPL PA060024 (GEN.#2) | 4 | EA | |
| <p>Comments for Part Num. PA060037</p> <p>bradleysapplianceservice@shaw.ca on Jun 16, 2020 SUBS TO: 067027-000 GRATE BK 10 X 11</p> | | | | | |
| 2 | 072065-000 | WRAP, CENTER, GRATE ASSY (PACK OF 2) | 2 | EA | |
| 3 | PA030002BK | BURNER BOWL (VGRT) **BK** | 4 | EA | |
| 4 | 066982-000 | CAP, BURNER, OPEN, BLK | 4 | EA | |
| 5 | E9104416BK | CENTER SPACER (VGSC306) *BK* | 1 | EA | |
| <p>Comments for Part Num. E9104416BK</p> <p>bradleysapplianceservice@shaw.ca on Jan 15, 2020 BEFORE 06/2015</p> | | | | | |
| 6 | E9101115BK | GRATE SUPT *BK* (VGRT) | 2 | EA | |
| 7 | 015496-000 | TRIM, SIDE RH | 1 | EA | |
| 8 | PD020033 | SRW-#10-24X1/2"T(23)PH.WFR HD (NKL) | 4 | EA | |
| 9 | PD010017 | BALL STUD (VGRT) | 6 | EA | |
| 10 | PD030012 | 6-32 HEX NUT | 6 | EA | |
| 11 | 015497-000 | TRIM, SIDE LH | 1 | EA | |

VGIC53014BSS-REV00 Control area parts



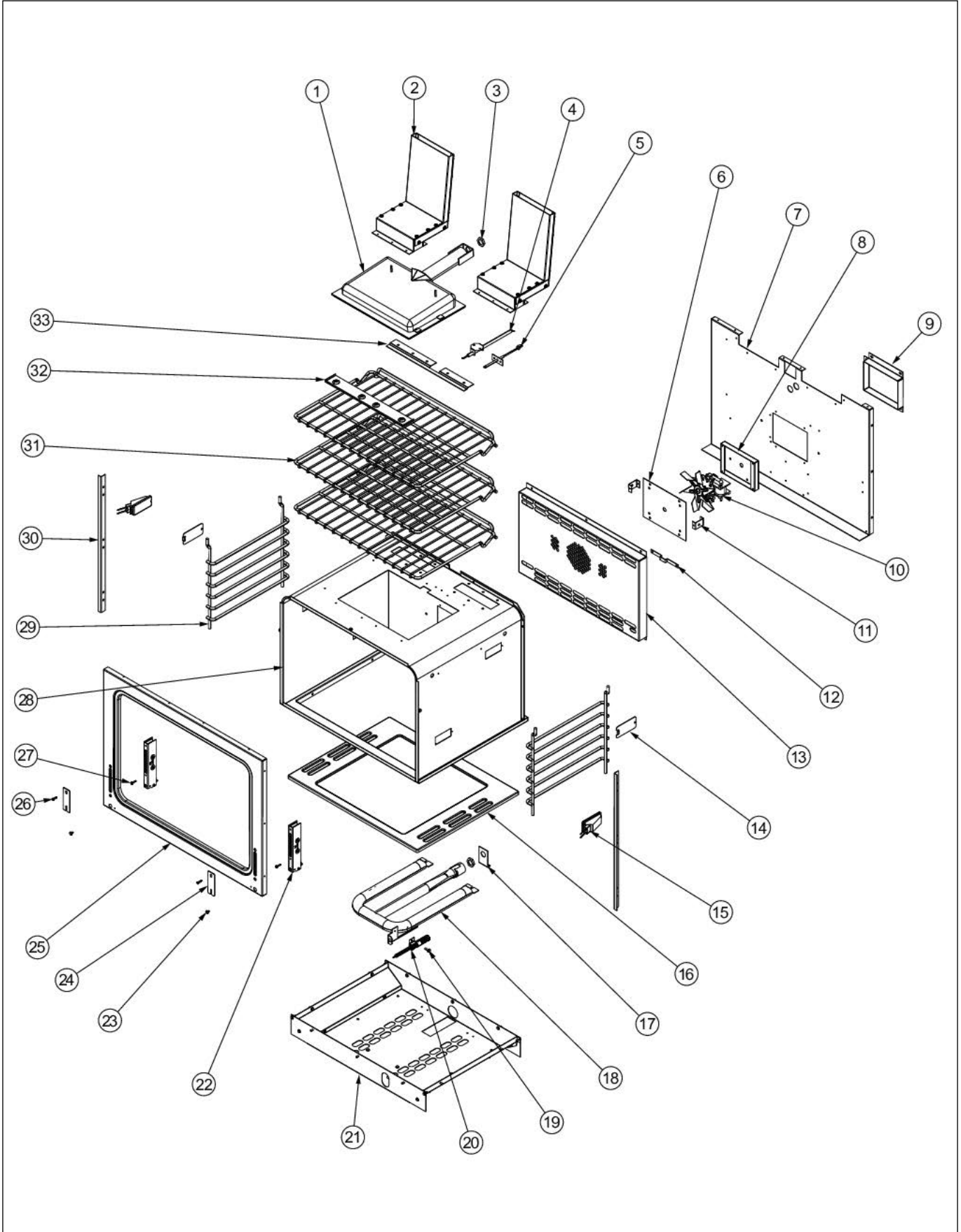
| Item | Part No. | Name | Qty | Uom | NOTES |
|---|-------------|--|-----|-----|-------|
| 1 | PA020058 | IRIS SINGLE SPARK MODULE | 4 | EA | |
| 2 | 023405-000 | VALVE, BURNER, TOP, NAT. | 4 | EA | |
| NI | PB040034 | ORIFICE HOOD-#50 (NAT) | 4 | EA | |
| 2 | 023501-000 | VALVE, BURNER, TOP, LP | 4 | EA | |
| Not Shown | PB040036 | ORIFICE HOOD-#57 (LP) | 4 | EA | |
| 3 | 016978-000 | MANIFOLD, 30" | 1 | EA | |
| 4 | PA070003 | PRESSURE REGULATOR (NAT.) | 1 | EA | |
| 4 | 013386-000 | LP PRESSURE REGULATOR | 1 | EA | |
| 5 | 051428-000 | ELECTRONIC THERMOSTAT | 1 | EA | |
| 6 | PE050024 | OVEN IND. LIGHT (LIGHT HOUSING) | 1 | EA | |
| <p>Comments for Part Num. PE050024</p> <p>haarnink@vikingrange.com on Jan 14, 2019</p> <p>please note that the indicator light is now part 043135-000 but needs the Jumper harness 051443-000. and second option there are units in the field with a 230V indicator light part number 036566-000.</p> <p>please check this for all "E" module ranges/Tops</p> | | | | | |
| 7 | 007147-000 | SHUT OFF VALVE | 1 | EA | |
| 8 | PD010012 | VALVE BOLT 1/4-20 UNC-2B 5/16" M.S. | 5 | EA | |
| 9 | 031251-2255 | CONTROL PANEL ASM, VGIC530-4B W/GRAPHICS | 1 | EA | |
| 10 | 006355-000 | SPLASHPROOF ROCKER SWITCH | 1 | EA | |
| 11 | PB010304 | KNOB BEZEL | 5 | EA | |
| 11 | PB010304PVD | RESTYLE KNOB BEZEL, BR | 5 | EA | |
| 12 | 005269-000 | RANGE TOP BURNER KNOB-BRUSHED, SSS | 4 | EA | |
| Not Shown | NOTE | BEFORE 12/20/12 | | EA | |
| 12 | 035881-000 | KNOB, BNR, TOP PRO CR3 | 4 | EA | |
| Not Shown | NOTE | AFTER 12/20/12 | | EA | |
| 13 | PD020046 | ' #8 X 1/2 SCREWS | 4 | EA | |
| 14 | PE050023 | OVEN IND. LIGHT (LENS & BEZEL) | 1 | EA | |





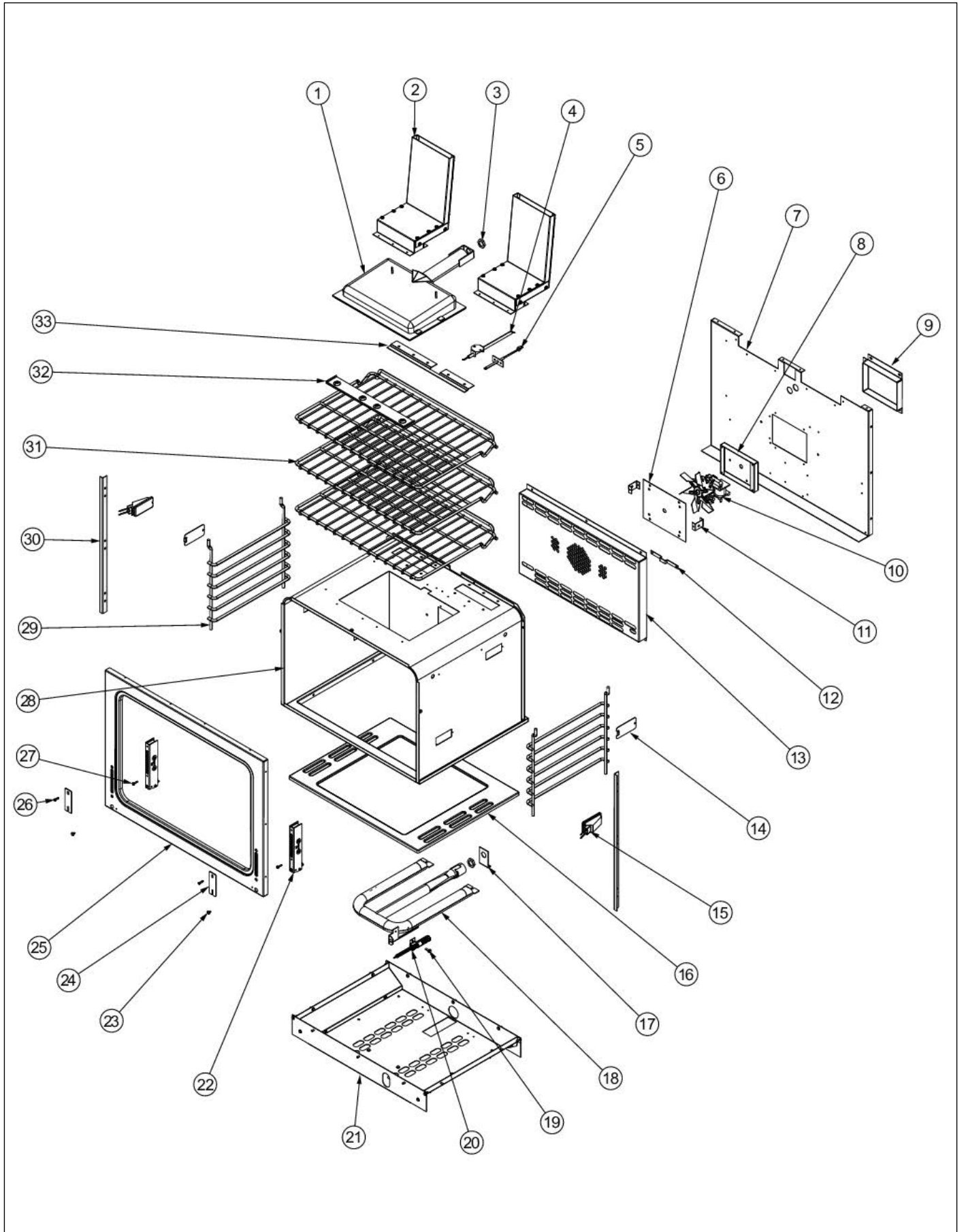
| Item | Part No. | Name | Qty | Uom | NOTES |
|-----------|------------|-------------------------------------|-----|-----|-------|
| 15 | PD020269 | #8 PAN HEAD SCREW | 2 | EA | |
| 16 | 008416-000 | KNOB, THERMOSTAT, #3 SSS, ASM, VGCC | 1 | EA | |
| Not Shown | NOTE | BEFORE 12/20/12 | | EA | |
| 16 | 035891-000 | KNOB,OVN,TSTAT, PRO VGCC CR3 | 1 | EA | |
| Not Shown | NOTE | AFTER 12/20/12 | | EA | |
| 17 | 003719-000 | OVEN LIGHT SWITCH, BLACK | 1 | EA | |

OVEN CAVITY



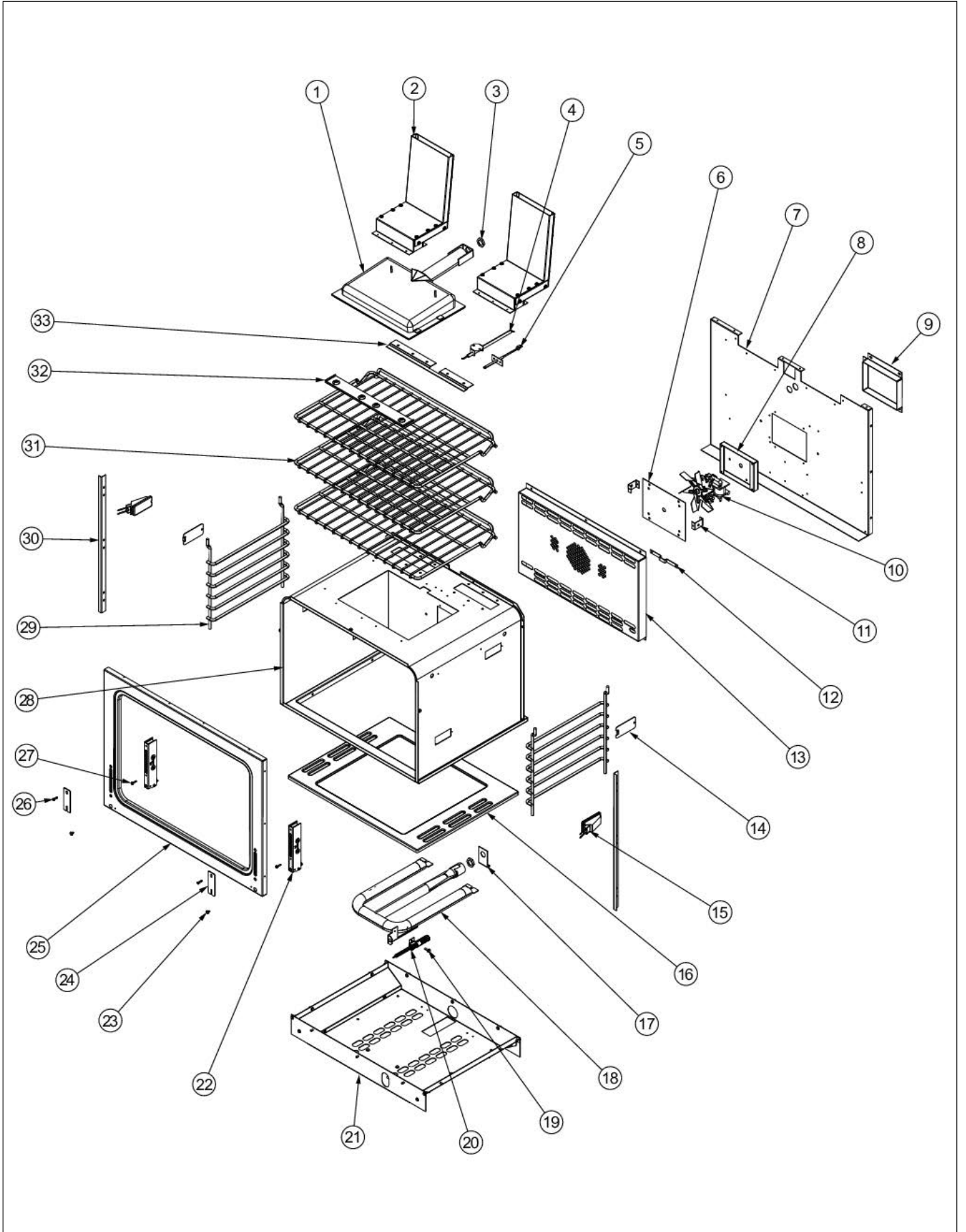


| Item | Part No. | Name | Qty | Uom | NOTES |
|--------------|------------|--|-----|-----|-------|
| 1 | G3001876 | IR BURNER ASSY (VGSC/RC) N/S | 1 | EA | |
| 2 | 006192-000 | VENT, ASM, OVEN ASSEMBLY | 2 | EA | |
| 3 | PD030018 | PALNUT - 3/4-16 | 2 | EA | |
| 4 | PB040171 | BROIL IGNITION ELECTRODE | 1 | EA | |
| 5 | PE050206 | RTD THERMOSTAT PROBE | 1 | EA | |
| 6 | A1002596 | CONVECTION FAN COVER (VDSC) | 1 | EA | |
| 7 | 020404-000 | FLAT PANEL | 1 | EA | |
| 8 | A2002595 | CONVECTION FAN BOX (VDSC) | 1 | EA | |
| 9 | A2008467 | INSULATION SHIELD | 1 | EA | |
| Not Shown | NOTE | (NO LONGER USED ON THIS MODEL) | | EA | |
| 10 | PE050057 | CONVECTION FAN (VGSC306) | 1 | EA | |
| Not Shown | NOTE | (BEFORE 8/31/11) | | EA | |
| 10 | 023090-000 | MOTOR, CONV ASM | 1 | EA | |
| Not Shown | NOTE | (ON OR AFTER 8/31/11) | | EA | |
| 11 | A2001361 | BACK SPACER (VGSC/VGSS) | 2 | EA | |
| 12 | A2004428 | REAR BOTTOM BRCKT (VGSC306) | 1 | EA | |
| Not Shown | NOTE | (BEFORE 8/31/11) | | EA | |
| 13 | G9104482 | CONVECTION FAN COVER ASSY (VGSC306) | 1 | EA | |
| Not Shown | NOTE | (BEFORE 04/28/10) | | EA | |
| 13 | 021225-403 | COVER, CNVN, ASM, GY PORC | 1 | EA | |
| Not Shown | NOTE | (BETWEEN 04/28/10 THRU 12/20/12) | | EA | |
| 13 | 021225-402 | COVER, CNVN, ASM, BK PORC | 1 | EA | |
| Not Shown | NOTE | (BETWEEN 12/20/12 THRU 11/30/17) | | EA | |
| 13 | 013580-402 | CONV COVER W/BK PORC | 1 | EA | |
| Not Shown | NOTE | (ON OR AFTER 11/30/17) | | EA | |
| 14 | E91012614 | LIGHT HOLE COVER | 2 | EA | |





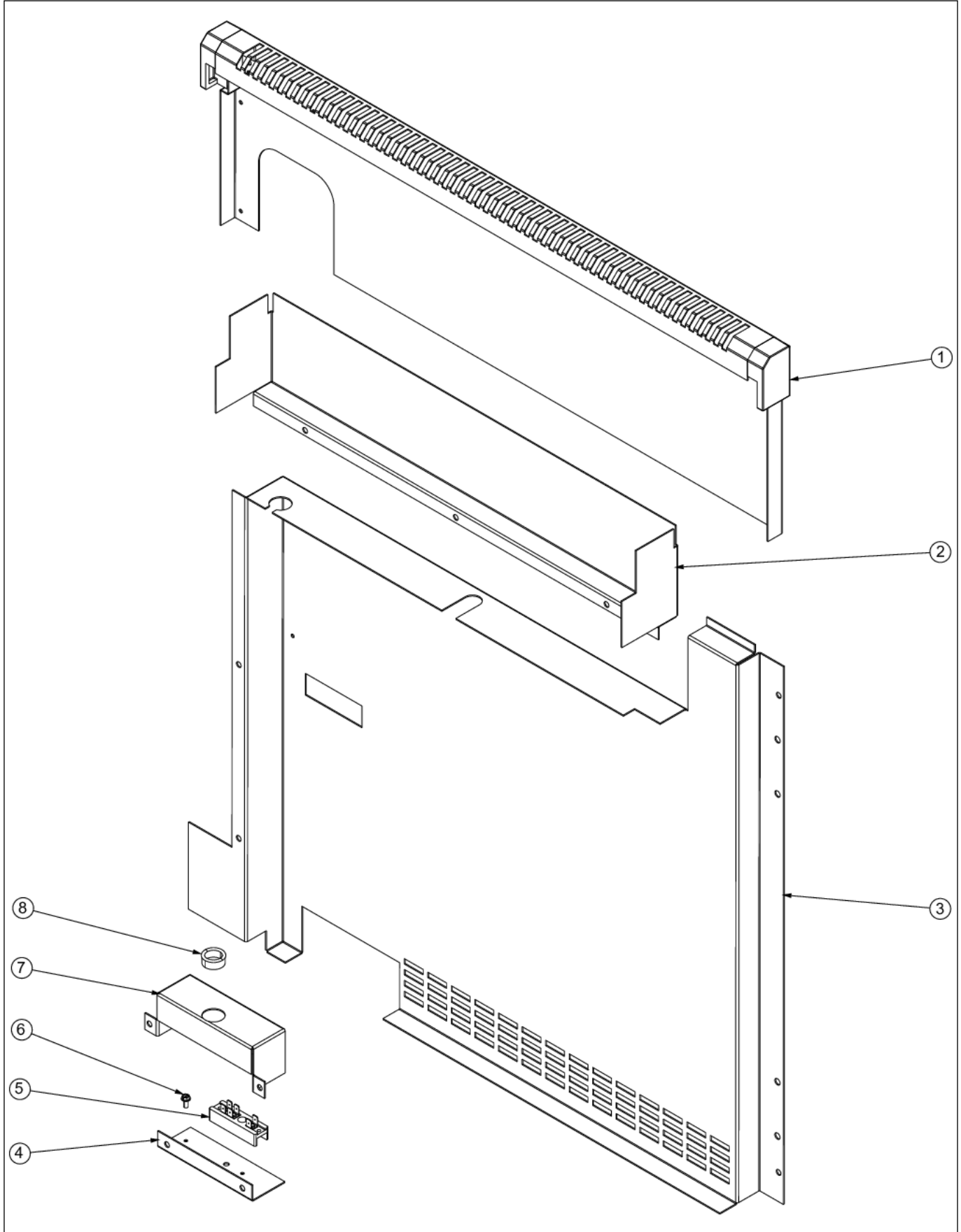
| Item | Part No. | Name | Qty | Uom | NOTES |
|-----------|------------|--|-----|-----|--|
| 15 | 068653-601 | LIGHT, 120V/25W, G9, HALOGEN, SIDE (REPLACEMENT BULB USE 074235-000) | 2 | EA | |
| 16 | 066203-000 | OVEN, BOTTOM, ASM,PORCELAIN, BK | 1 | EA | |
| 17 | 005529-000 | BAKE ORIFICE MOUNTING BRACKET | 1 | EA | |
| Not Shown | NOTE | (BEFORE 2/11/13) | | EA | |
| 17 | 040736-000 | BRKT, ORF | 1 | EA | |
| Not Shown | NOTE | (ON OR AFTER 2/11/13) | | EA | |
| 18 | 005329-000 | BURNER, OVEN, ASM | 1 | EA | |
| 18 | 005330-000 | BURNER, OVEN, ASM (LP) | 1 | EA | |
| 19 | 023005-000 | SCREW-SM | 1 | EA | |
| 20 | PB040170 | BAKE IGNITION ELECTRODE | 1 | EA | |
| 21 | 005102-000 | BURNER PAN ASSEMBLY | 1 | EA | |
| 22 | 031679-000 | RECEPTACLE, HINGE | 2 | EA | |
| 23 | PD020032 | SRW-8(A)X3/8"PH.WFR HD 7/16DIA*NICL | 2 | EA | |
| 24 | 007278-000 | ARM HINGE CLIP | 2 | EA | |
| Not Shown | NOTE | (BEFORE 01/02/13) | | EA | |
| 24 | 049718-402 | CLIP, RETAINER, HINGE, GLOSS BLACK ENAMEL | 2 | EA | |
| Not Shown | NOTE | (AFTER 01/02/13) | | EA | |
| 25 | 005373-000 | 30" FRONT FRAME WELD ASSY | 1 | EA | |
| 26 | PD020061 | ' #8 X 3/4 FLAT HD TEK. *SS* | 2 | EA | |
| 27 | PD020232 | #8 X 3/4" PH PAN HEAD TEK SCREW (BLACK OXIDE) | 2 | EA | |
| 28 | 005047-000 | OVEN CAVITY WELD | 1 | EA | Not available online / Call for pricing and availability |
| 29 | PB060030 | RACK SUPT REPL PB060010 | 2 | EA | |
| Not Shown | NOTE | BEFORE 12/20/12 | | EA | |
| 29 | 066225-402 | GUIDE, RACK, RH- BK | 2 | EA | |





| Item | Part No. | Name | Qty | Uom | NOTES |
|-----------|------------|---------------------------------------|-----|-----|---|
| Not Shown | NOTE | (ON OR AFTER 12/20/12 | | EA | |
| 30 | 005536-000 | TRIM | 2 | EA | |
| 31 | PB060044 | OVEN RK VDSC30/48RH REPL PB060019 | 3 | EA | |
| Not Shown | NOTE | (BEFORE 12/20/12) | | EA | |
| 31 | 065467-000 | RACK, PRO, W/HDL, 30" | 3 | EA | |
| Not Shown | NOTE | (ON OR AFTER 12/20/12) | | EA | |
| 32 | B2001448 | IR BROIL SUPT (FRONT) | 1 | EA | |
| 33 | B2005589 | REAR BROILER BRACKET | 2 | EA | Not available online / Call for pricing and availability |
| NI | PB040071 | NATURAL BAKE ORIFICE #35 | 1 | EA | |
| Not Shown | NOTE | (NAT ORIFICE FOR BAKE) | | EA | |
| NI | PB040035 | ORIFICE HOOD-#51 9701B1651 | 1 | EA | |
| Not Shown | NOTE | (LP ORIFICE FOR BAKE) | | EA | |
| NI | PB040040 | ORIFICE-IR BURNER (VGSC) (NAT #47) | 1 | EA | |
| Not Shown | NOTE | (NAT ORIFICE FOR BROIL) | | EA | |
| NI | PB040027 | IR BUR.SPUD ORF. - #56 LP | 1 | EA | |
| Not Shown | NOTE | (LP ORIFICE FOR BROIL) | | EA | |

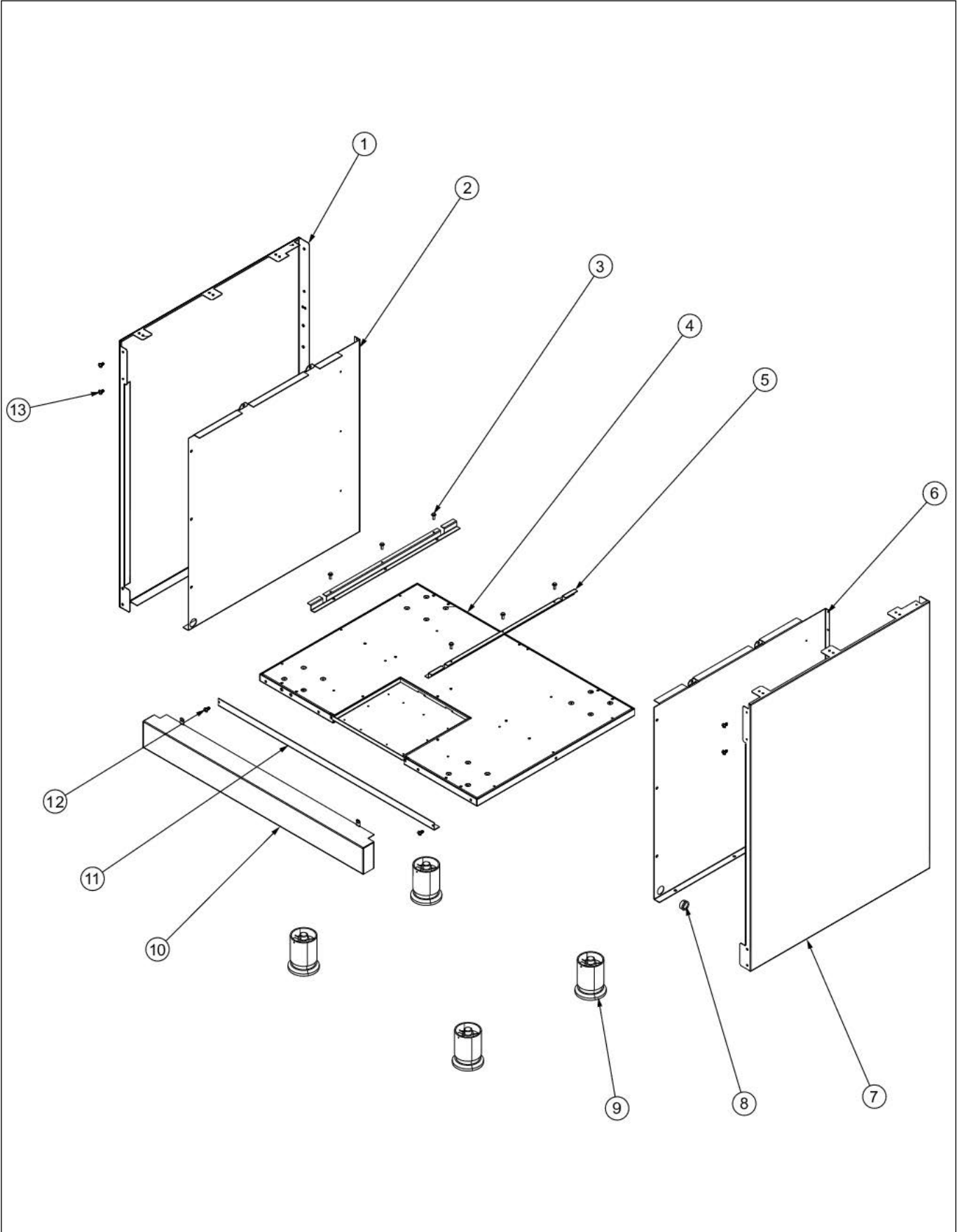
REAR SHEET METAL



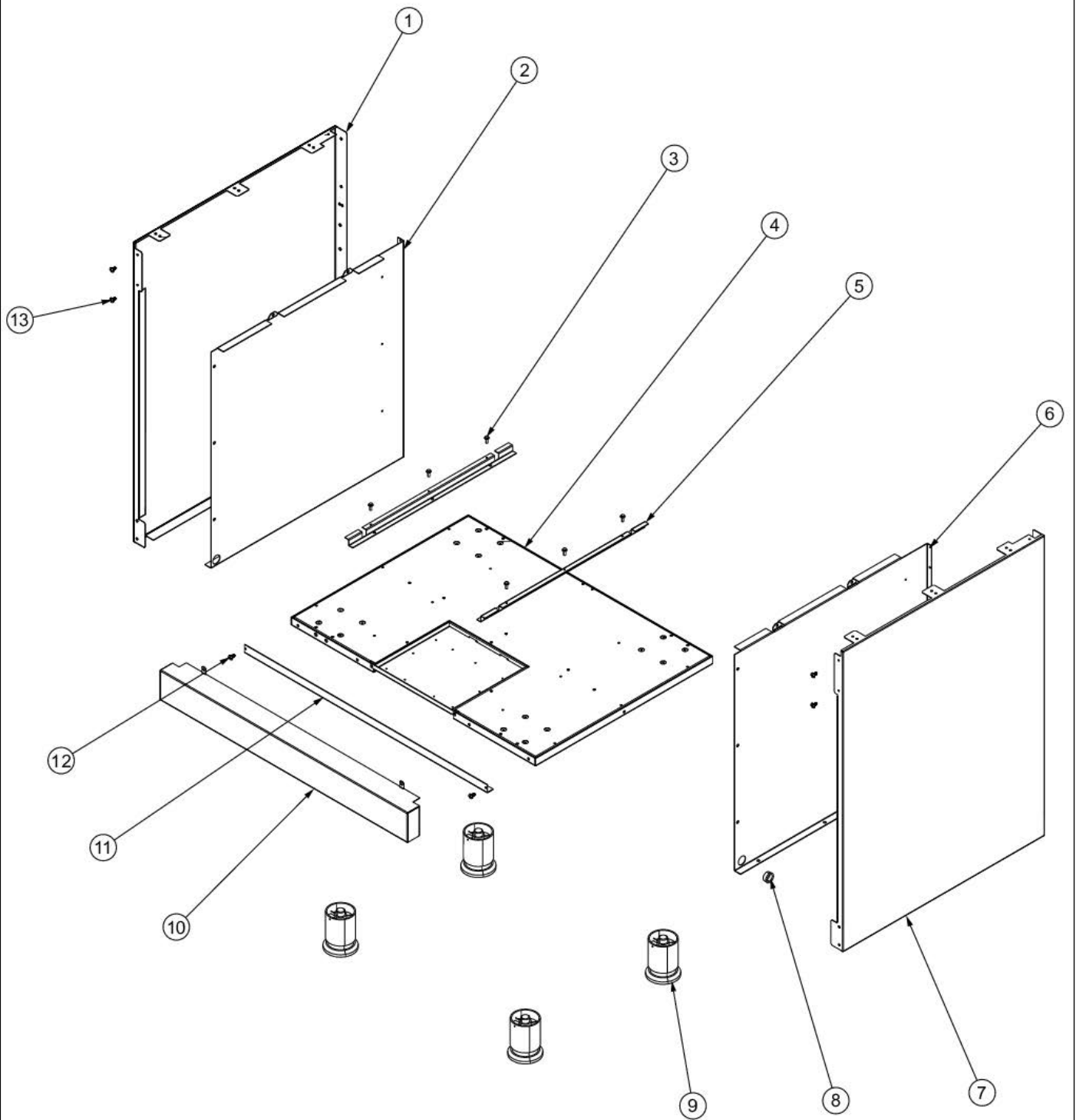


| Item | Part No. | Name | Qty | Uom | NOTES |
|-----------|------------|--------------------------------|-----|-----|-------|
| 1 | 004464-000 | TRIM, IS, ASM, REDESIGN, 30" | 1 | EA | |
| Not Shown | NOTE | (BEFORE 01/17/13) | | EA | |
| 1 | 041445-000 | TRIM, IS, ASSY, 30" | 1 | EA | |
| Not Shown | NOTE | (ON OR AFTER 01/17/13) | | EA | |
| 2 | 019160-000 | BACK COLLAR, 30" | 1 | EA | |
| 3 | 032123-000 | CABINET, BACK | 1 | EA | |
| 4 | 007484-000 | TERMINAL, BLOCK, BRACKET | 1 | EA | |
| 5 | 007400-000 | BLOCK, TERMINAL | 1 | EA | |
| 6 | PD020010 | 10 X 3/8 GREEN GROUNDING SCREW | 1 | EA | |
| 7 | 031961-000 | COVER, TERM. BLOCK | 1 | EA | |
| 8 | PD040005 | SNAP BUSHING - 7/8 | 1 | EA | |
| NI | 023263-000 | TOGGLE BOLT (3/16" X 2") | 1 | EA | |

LOWER UNIT AND SIDE PANELS

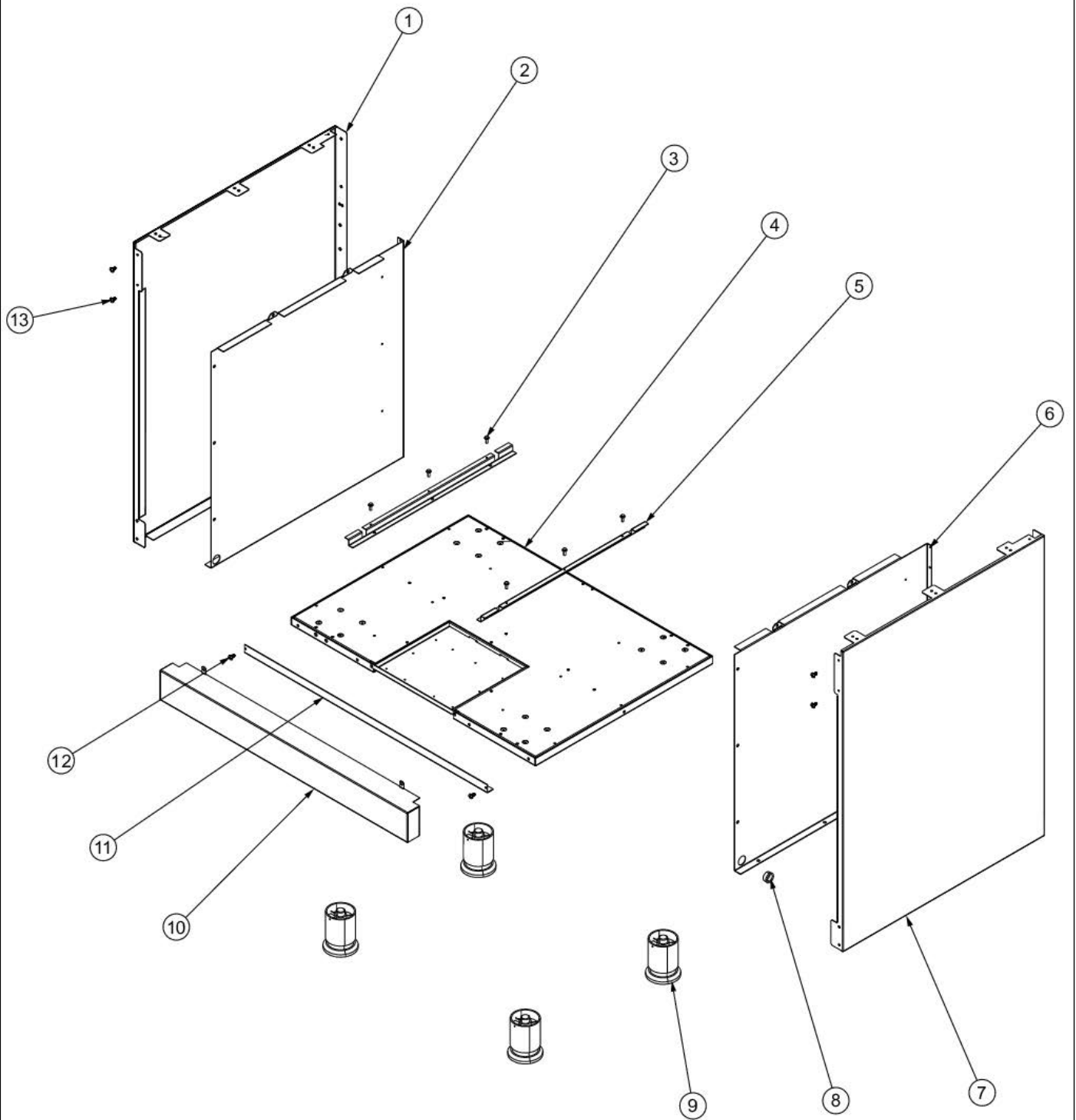


| Item | Part No. | Name | Qty | Uom | NOTES |
|------|------------|---------------------------------------|-----|-----|-------|
| 1 | 019123-000 | PANEL, SIDE, LEFT | 1 | EA | |
| 1 | 021310-002 | PANEL, SIDE, LEFT BK | 1 | EA | |
| 1 | 021310-003 | PANEL, SIDE, LH BT | 1 | EA | |
| 1 | 021310-004 | PANEL, SIDE, LH SG | 1 | EA | |
| 1 | 021310-005 | PANEL, SIDE, LEFT GG | 1 | EA | |
| 1 | 021310-006 | PANEL, SIDE, LEFT WH | 1 | EA | |
| 1 | 021310-008 | PANEL, SIDE, LEFT BU | 1 | EA | |
| 1 | 021310-009 | PANEL, SIDE, LH LE | 1 | EA | |
| 1 | 021310-010 | PANEL, SIDE, LH MJ | 1 | EA | |
| 1 | 021310-012 | PANEL, SIDE, LH VB | 1 | EA | |
| 1 | 021310-013 | PANEL, SIDE, LEFT CB | 1 | EA | |
| 1 | 021310-015 | PANEL, SIDE, LH PL | 1 | EA | |
| 1 | 021310-016 | PANEL, SIDE, LH CH | 1 | EA | |
| 1 | 021310-017 | PANEL, SIDE, LH TP | 1 | EA | |
| 1 | 021310-018 | PANEL, SIDE, LH CW NLA | 1 | EA | |
| 1 | 021310-019 | PANEL, SIDE, LH OG | 1 | EA | |
| 1 | 021310-020 | PANEL, SIDE, LH GM | 1 | EA | |
| 1 | 021310-021 | PANEL, SIDE, LH SA | 1 | EA | |
| 1 | 021310-022 | PANEL, SIDE, LH SE | 1 | EA | |
| 1 | 021310-023 | PANEL, SIDE, LH IB | 1 | EA | |
| 1 | 021310-024 | PANEL, SIDE, LEFT AR | 1 | EA | |
| 1 | 021310-025 | PANEL, SIDE, LH RR | 1 | EA | |
| 1 | 021310-026 | PANEL, SIDE, LH PM | 1 | EA | |
| 1 | 021310-027 | PANEL, SIDE, LH MS | 1 | EA | |
| 2 | 004482-000 | INSULATION, PNL, SIDE, LH | 1 | EA | |
| 3 | PD020048 | NO.10 X 1/2 TEK 410 SS SCREW | 6 | EA | |
| 4 | 003056-000 | BASE ASSEMBLY | 1 | EA | |
| 5 | A2004429 | OVEN BOTTOM INSUL. BRACE (VGSC306) | 2 | EA | |
| 6 | 004479-000 | INSULATION, PNL, SIDE, RH | 1 | EA | |
| 7 | 019124-000 | PANEL, SIDE, RIGHT | 1 | EA | |
| 7 | 021309-002 | PANEL, SIDE, RIGHT BK | 1 | EA | |
| 7 | 021309-003 | PANEL, SIDE, RH BT | 1 | EA | |



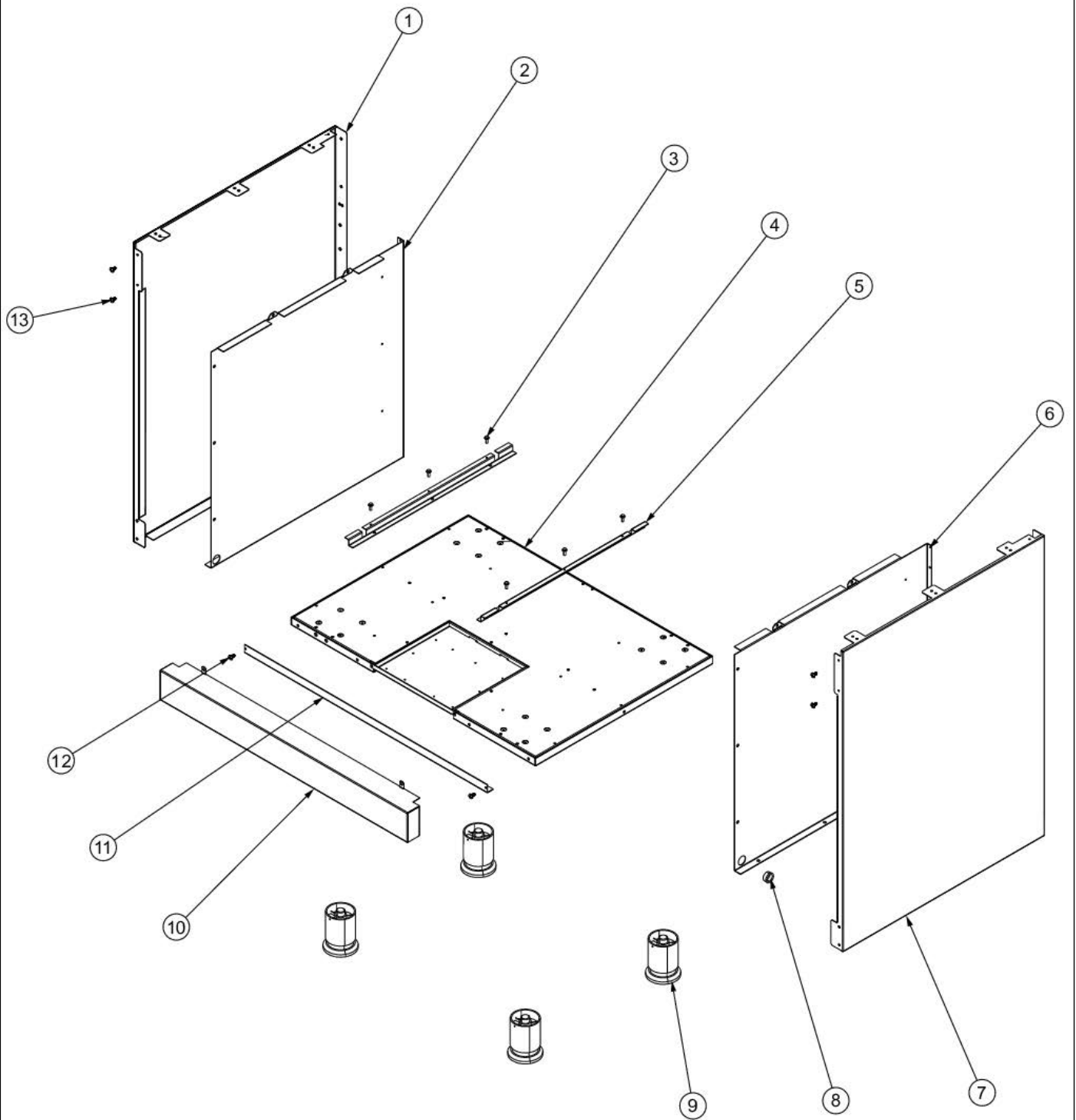


| Item | Part No. | Name | Qty | Uom | NOTES |
|-----------|-------------|--------------------------|-----|-----|--|
| 7 | 021309-004 | PANEL, SIDE, RH SG | 1 | EA | |
| 7 | 021309-005 | PANEL, SIDE, RIGHT GG | 1 | EA | |
| 7 | 021309-006 | PANEL, SIDE, RIGHT WH | 1 | EA | |
| 7 | 021309-008 | PANEL, SIDE, RIGHT BU | 1 | EA | |
| 7 | 021309--009 | PANEL, SIDE, RH LE | 1 | EA | Not available online / Call for pricing and availability |
| 7 | 021309-010 | PANEL, SIDE, RH MJ | 1 | EA | |
| 7 | 021309-012 | PANEL, SIDE, RH VB | 1 | EA | |
| 7 | 021309-013 | PANEL, SIDE, RIGHT CB | 1 | EA | |
| 7 | 021309-015 | PANEL, SIDE, RH PL | 1 | EA | |
| 7 | 021309-016 | PANEL, SIDE, RH CH | 1 | EA | |
| 7 | 021309-017 | PANEL, SIDE, RH TP | 1 | EA | |
| 7 | 021309-018 | PANEL, SIDE, RH CW NLA | 1 | EA | |
| 7 | 021309-019 | PANEL, SIDE, RH OG | 1 | EA | |
| 7 | 021309-020 | PANEL, SIDE, RH GM | 1 | EA | |
| 7 | 021309-021 | PANEL, SIDE, RH SA | 1 | EA | |
| 7 | 021309-022 | PANEL, SIDE, RH SE | 1 | EA | |
| 7 | 021309-023 | PANEL, SIDE, RH IB | 1 | EA | |
| 7 | 021309-024 | PANEL, SIDE, RIGHT AR | 1 | EA | |
| 7 | 021309-025 | PANEL, SIDE, RH RR | 1 | EA | |
| 7 | 021309-026 | PANEL, SIDE, RH PM | 1 | EA | |
| 7 | 021309-027 | PANEL, SIDE, RH MS | 1 | EA | |
| 8 | PD040005 | SNAP BUSHING - 7/8 | 1 | EA | |
| 9 | 044178-000 | RANGE, LEG, ADJUSTABLE | 4 | EA | |
| 10 | 006198-000 | PANEL, ACS, 30", GSC | 1 | EA | |
| Not Shown | NOTE | (BEFORE 06/14/12) | | EA | |
| 10 | 035955-000 | PANEL, ACS, 30", GSC | 1 | EA | |
| Not Shown | NOTE | (FROM 6/14/12 - 6/14/13) | | EA | |
| 10 | 038426-000 | KICKPLATE,30" | 1 | EA | |
| Not Shown | NOTE | (ON OR AFTER 06/14/13) | | EA | |



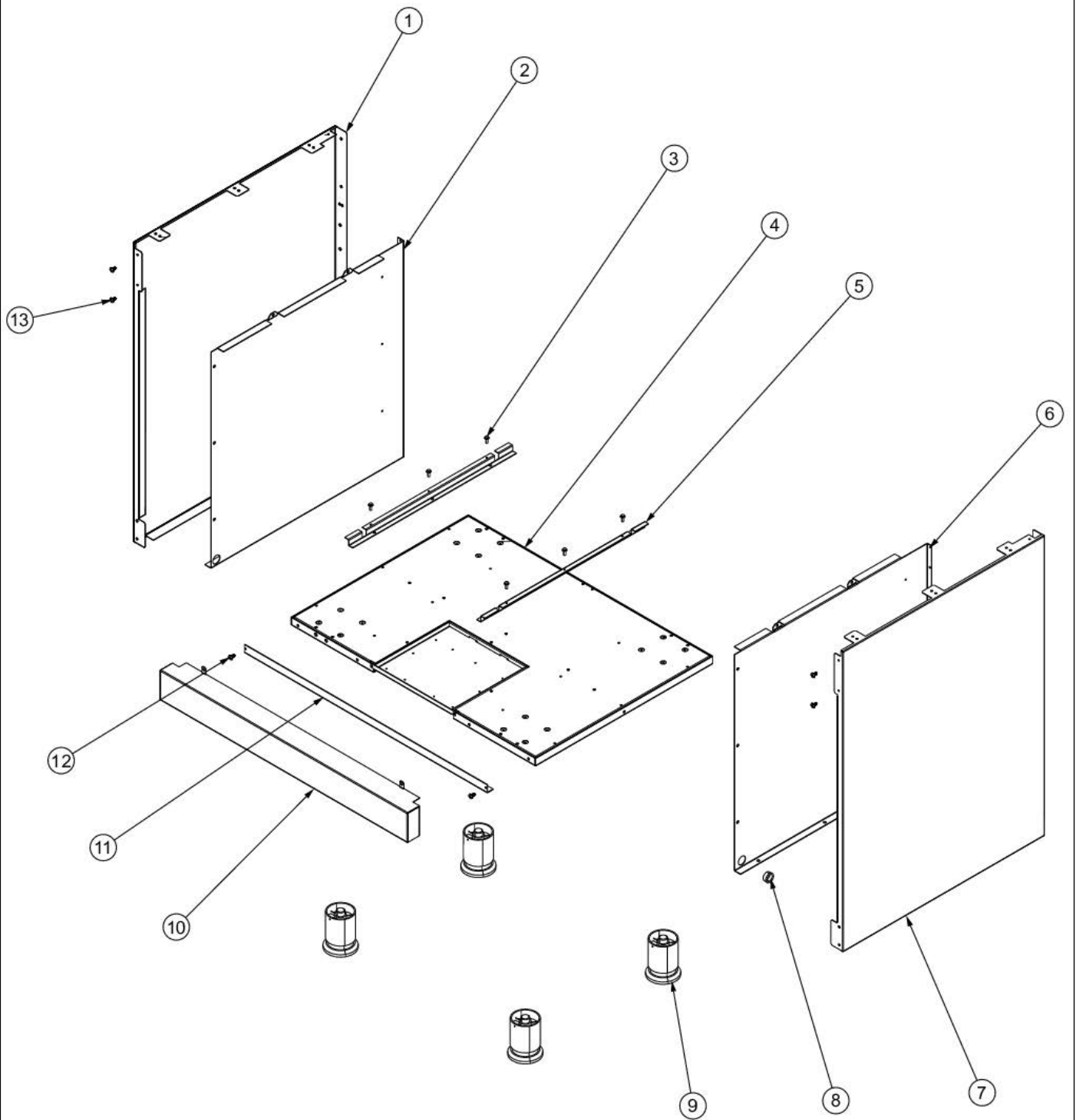


| Item | Part No. | Name | Qty | Uom | NOTES |
|-----------|------------|--------------------------------|-----|-----|-------|
| 10 | 007361-002 | PANEL, ACS, 30", KICKPLATE, BK | 1 | EA | |
| Not Shown | NOTE | (BEFORE 06/14/13) | | EA | |
| 10 | 038577-002 | KICKPLATE, 30" BK | 1 | EA | |
| Not Shown | NOTE | (ON OR AFTER 06/14/13) | | EA | |
| 10 | 007361-003 | PANEL, ACS, 30", KICKPLATE, BT | 1 | EA | |
| Not Shown | NOTE | (BEFORE 06/14/13) | | EA | |
| 10 | 038577-003 | KICKPLATE 30" BT | 1 | EA | |
| Not Shown | NOTE | (ON OR AFTER 06/14/13) | | EA | |
| 10 | 007361-004 | PANEL, ACS, 30", KICKPLATE, SG | 1 | EA | |
| Not Shown | NOTE | (BEFORE 06/14/13) | | EA | |
| 10 | 038577-004 | KICKPLATE 30" SG | 1 | EA | |
| Not Shown | NOTE | (ON OR AFTER 06/14/13) | | EA | |
| 10 | 007361-005 | PANEL, ACS, 30", KICKPLATE, GG | 1 | EA | |
| Not Shown | NOTE | (BEFORE 06/14/13) | | EA | |
| 10 | 038577-005 | KICKPLATE, 30" GG | 1 | EA | |
| Not Shown | NOTE | (ON OR AFTER 06/14/13) | | EA | |
| 10 | 007361-006 | PANEL, ACS, 30", KICKPLATE, WH | 1 | EA | |
| Not Shown | NOTE | (BEFORE 06/14/13) | | EA | |
| 10 | 038577-006 | KICKPLATE, 30" WH | 1 | EA | |
| Not Shown | NOTE | (ON OR AFTER 06/14/13) | | EA | |
| 10 | 007361-008 | PANEL, ACS, 30", KICKPLATE, BU | 1 | EA | |
| Not Shown | NOTE | (BEFORE 06/14/13) | | EA | |
| 10 | 038577-008 | KICKPLATE, 30" BU | 1 | EA | |
| Not Shown | NOTE | (ON OR AFTER 06/14/13) | | EA | |



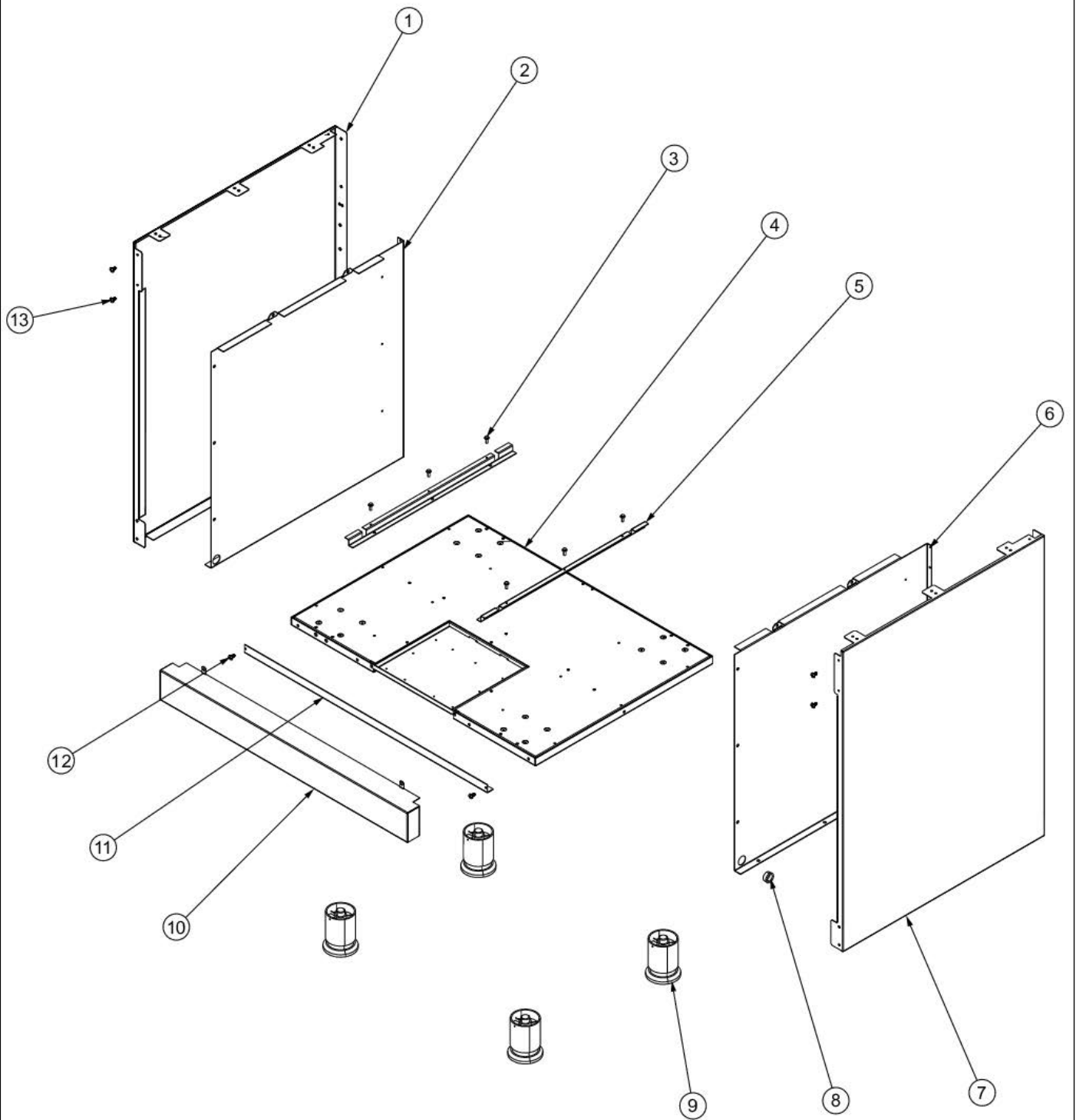


| Item | Part No. | Name | Qty | Uom | NOTES |
|-----------|------------|--------------------------------|-----|-----|--|
| 10 | 007361-009 | PANEL, ACS, 30", KICKPLATE, LE | 1 | EA | |
| Not Shown | NOTE | (BEFORE 06/14/13) | | EA | |
| 10 | 038577-009 | KICKPLATE 30" LE | 1 | EA | |
| Not Shown | NOTE | (ON OR AFTER 06/14/13) | | EA | |
| 10 | 007361-010 | PANEL, ACS, 30", KICKPLATE, MJ | 1 | EA | |
| Not Shown | NOTE | (BEFORE 06/14/13) | | EA | |
| 10 | 038577-010 | KICKPLATE 30" MJ | 1 | EA | |
| Not Shown | NOTE | (ON OR AFTER 06/14/13) | | EA | |
| 10 | 007361-012 | PANEL, ACS, 30", KICKPLATE, VB | 1 | EA | |
| Not Shown | NOTE | (BEFORE 06/14/13) | | EA | |
| 10 | 038577-012 | KICKPLATE 30" VB | 1 | EA | |
| Not Shown | NOTE | (ON OR AFTER 06/14/13) | | EA | |
| 10 | 007361-013 | PANEL, ACS, 30", KICKPLATE, CB | 1 | EA | |
| Not Shown | NOTE | (BEFORE 06/14/13) | | EA | |
| 10 | 038577-013 | KICKPLATE, 30" CB | 1 | EA | |
| Not Shown | NOTE | (ON OR AFTER 06/14/13) | | EA | |
| 10 | 007361-015 | PANEL, ACS, 30", KICKPLATE, PL | 1 | EA | |
| Not Shown | NOTE | (BEFORE 06/14/13) | | EA | |
| 10 | 038577-015 | KICKPLATE 30" CH | 1 | EA | |
| Not Shown | NOTE | (ON OR AFTER 06/14/13) | | EA | |
| 10 | 007361-016 | PANEL, ACS, 30", KICKPLATE, CH | 1 | EA | Not available online / Call for pricing and availability |
| Not Shown | NOTE | (BEFORE 06/14/13) | | EA | |
| 10 | 038577-015 | KICKPLATE 30" CH | 1 | EA | |



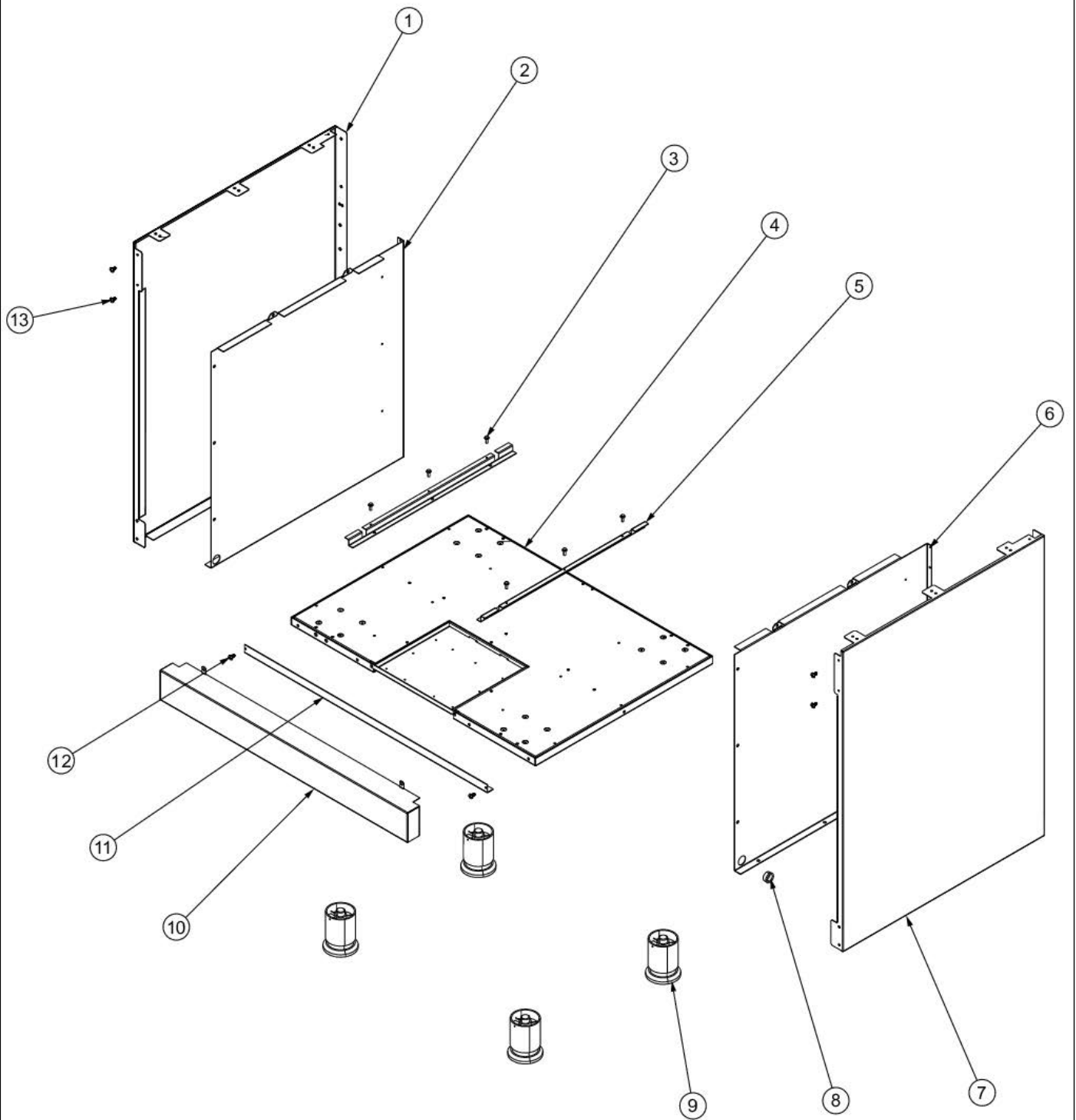


| Item | Part No. | Name | Qty | Uom | NOTES |
|-----------|------------|-----------------------------------|-----|-----|--|
| Not Shown | NOTE | (ON OR AFTER 06/14/13) | | EA | |
| 10 | 007361-017 | PANEL, ACS, 30" KICKPLATE, TP | 1 | EA | |
| Not Shown | NOTE | (BEFORE 06/14/13) | | EA | |
| 10 | 038577-017 | KICKPLATE 30" OG | 1 | EA | |
| Not Shown | NOTE | (ON OR AFTER 06/14/13) | | EA | |
| 10 | 007361-018 | PANEL, ACS, 30" KICKPLATE, CW NLA | 1 | EA | |
| Not Shown | NOTE | (BEFORE 06/14/13) | | EA | |
| 10 | 038577-017 | KICKPLATE 30" OG | 1 | EA | |
| Not Shown | NOTE | (ON OR AFTER 06/14/13) | | EA | |
| 10 | 007361-019 | PANEL, ACS, 30", KICKPLATE, OG | 1 | EA | |
| Not Shown | NOTE | (BEFORE 06/14/13) | | EA | |
| 10 | 038577-017 | KICKPLATE 30" OG | 1 | EA | |
| Not Shown | NOTE | (ON OR AFTER 06/14/13) | | EA | |
| 10 | 007361-020 | PANEL, ACS, 30", KICKPLATE, GM | 1 | EA | |
| Not Shown | NOTE | (BEFORE 06/14/13) | | EA | |
| 10 | 038577-020 | KICKPLATE 30" GM | 1 | EA | |
| Not Shown | NOTE | (ON OR AFTER 06/14/13) | | EA | |
| 10 | 007361-021 | PANEL, ACS, 30", KICKPLATE, SA | 1 | EA | |
| Not Shown | NOTE | (BEFORE 06/14/13) | | EA | |
| 10 | 038577-021 | KICKPLATE 30" SA | 1 | EA | |
| Not Shown | NOTE | (ON OR AFTER 06/14/13) | | EA | |
| 10 | 007361-022 | PANEL, ACS, 30" KICKPLATE, SE | 1 | EA | Not available online / Call for pricing and availability |
| Not Shown | NOTE | (BEFORE 06/14/13) | | EA | |





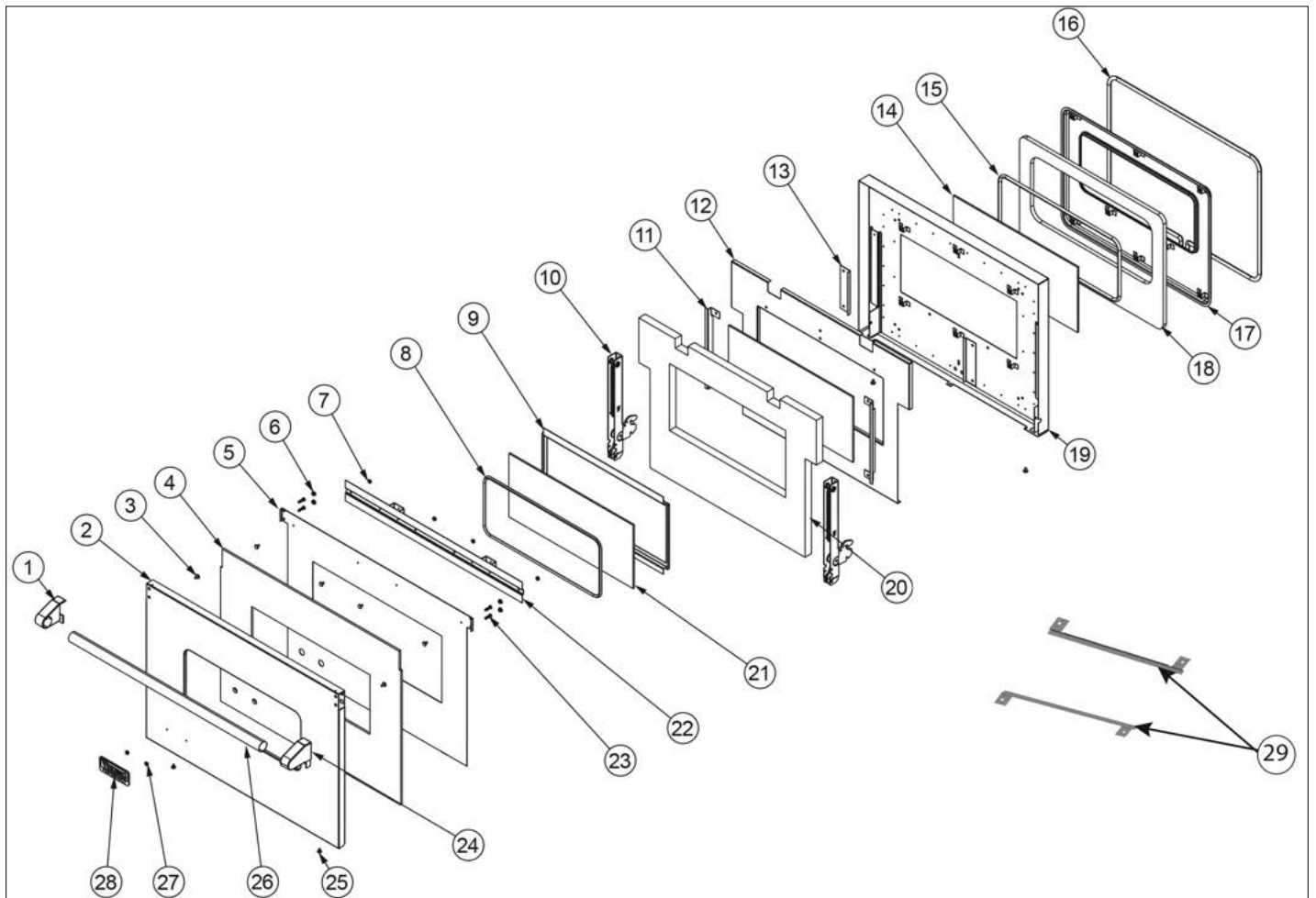
| Item | Part No. | Name | Qty | Uom | NOTES |
|-----------|------------|--------------------------------|-----|-----|-------|
| 10 | 038577-022 | KICKPLATE 30" SE | 1 | EA | |
| Not Shown | NOTE | (ON OR AFTER 06/14/13) | | EA | |
| 10 | 007361-023 | PANEL, ACS, 30", KICKPLATE, IB | 1 | EA | |
| Not Shown | NOTE | (BEFORE 06/14/13) | | EA | |
| 10 | 038577-023 | KICKPLATE 30" IB | 1 | EA | |
| Not Shown | NOTE | (ON OR AFTER 06/14/13) | | EA | |
| 10 | 007361-024 | PANEL, ACS, 30", KICKPLATE, AR | 1 | EA | |
| Not Shown | NOTE | (BEFORE 06/14/13) | | EA | |
| 10 | 038577-024 | KICKPLATE, 30" AR | 1 | EA | |
| Not Shown | NOTE | (ON OR AFTER 06/14/13) | | EA | |
| 10 | 007361-025 | PANEL, ACS, 30", KICKPLATE, RR | 1 | EA | |
| Not Shown | NOTE | (BEFORE 06/14/13) | | EA | |
| 10 | 038577-025 | KICKPLATE 30" RR | 1 | EA | |
| Not Shown | NOTE | (ON OR AFTER 06/14/13) | | EA | |
| 10 | 007361-026 | PANEL, ACS, 30", KICKPLATE, PM | 1 | EA | |
| Not Shown | NOTE | (BEFORE 06/14/13) | | EA | |
| 10 | 038577-026 | KICKPLATE, 30" PM | 1 | EA | |
| Not Shown | NOTE | (ON OR AFTER 06/14/13) | | EA | |
| 10 | 007361-027 | PANEL, ACS, 30", KICKPLATE, MS | 1 | EA | |
| Not Shown | NOTE | (BEFORE 06/14/13) | | EA | |
| 10 | 038577-027 | KICKPLATE 30" MS | 1 | EA | |
| Not Shown | NOTE | (ON OR AFTER 06/14/13) | | EA | |
| 11 | 006199-000 | SPACER, BOT, 30", GSC | 1 | EA | |
| 12 | 003801-000 | SHOULDER SCREW, #10 | 2 | EA | |



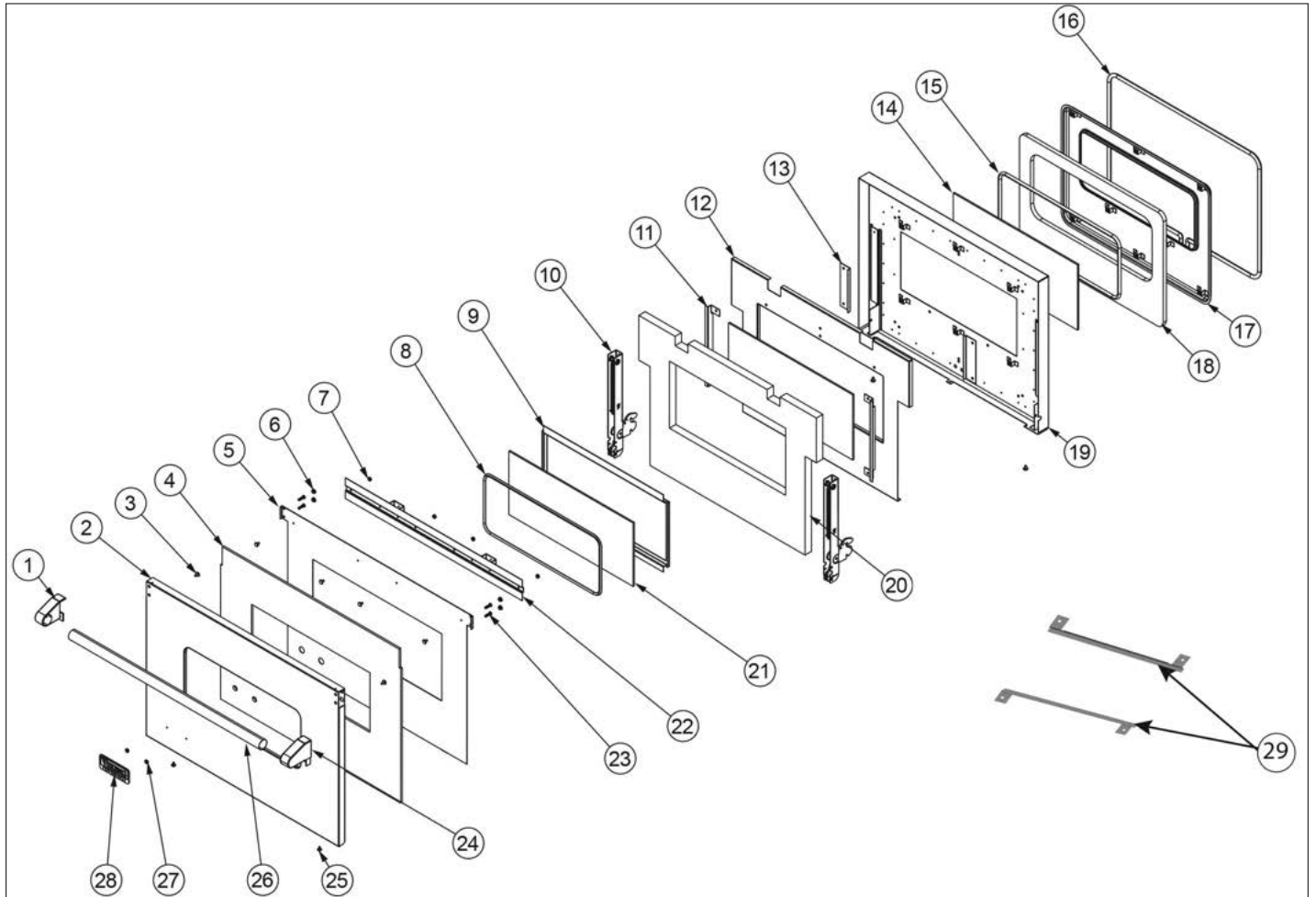


| Item | Part No. | Name | Qty | Uom | NOTES |
|------|------------|---------------------------------------|-----|-----|-------|
| 13 | 014143-000 | SCR 10-12 A SHLD TRP 1/2 S ZN BLUE | 4 | EA | |

VGIC53014-REV00 Door parts



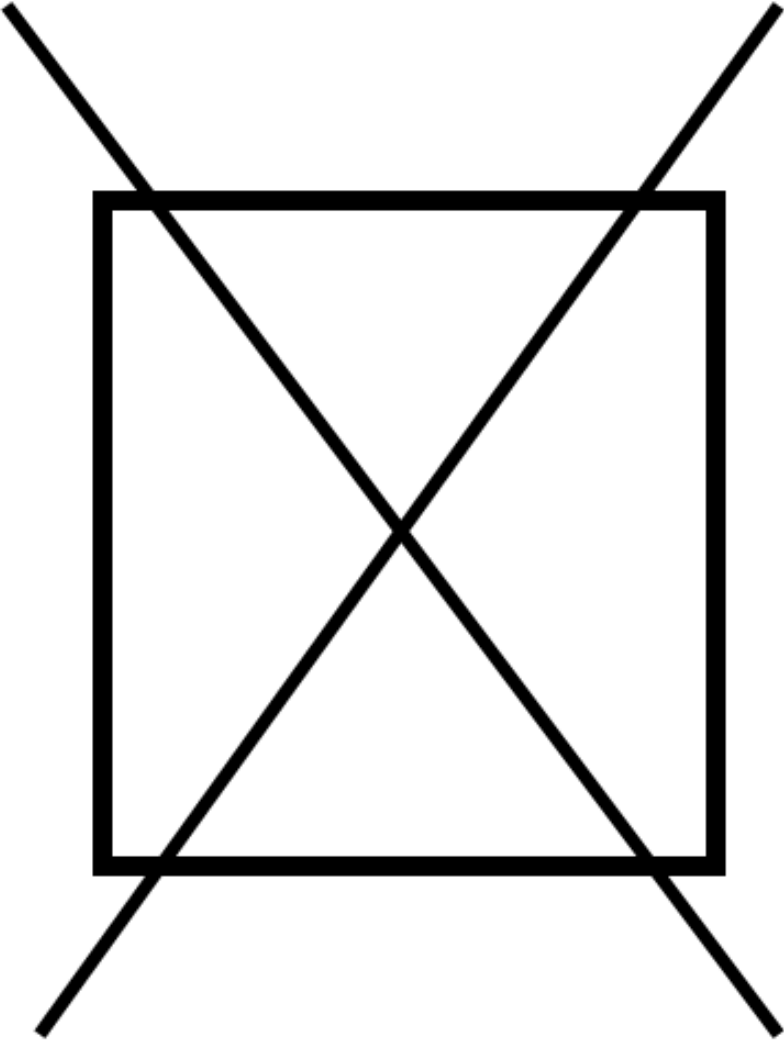
| Item | Part No. | Name | Qty | Uom | NOTES |
|-----------|------------|---|-----|-----|--|
| 1 | 003011-000 | DOOR HANDLE ENDCAP ASSY, LH (CHROME) | 1 | EA | |
| 1 | 003011-100 | DOOR HANDLE ENDCAP ASSY, LH (BRASS) | 1 | EA | |
| 2 | 023453-000 | SVC DOOR SKIN KIT, VGSC, IC, CC 30"SS | 1 | EA | |
| 2 | 023454-002 | SVC DOOR SKIN KIT, VGSC, IC, CC 30" BK | 1 | EA | |
| 2 | 023454-005 | SVC DOOR SKIN KIT, VGSC, IC, CC 30" GG | 1 | EA | |
| 2 | 023454-006 | SVC DOOR SKIN KIT, VGSC, IC, CC 30" WH | 1 | EA | |
| 2 | 023454-008 | SVC DOOR SKIN KIT, VGSC, IC, CC 30" BU | 1 | EA | Not available online / Call for pricing and availability |
| 2 | 023454-013 | SVC DOOR SKIN KIT, VGSC, IC, CC 30" CB | 1 | EA | |
| 3 | PD020033 | SRW-#10-24X1/2"T(23)PH.WFR HD (NKL) | 8 | EA | |
| 4 | 004685-000 | INSULATION, DOOR, PANEL | 1 | EA | |
| 5 | 004684-000 | PANEL, DOOR, INSULATION, GSC | 1 | EA | |
| 6 | 004907-000 | STEEL FINISHING PLUG, NICKEL PLTD 25/64" HOLE | 4 | EA | |
| 7 | PD030010 | #10-24 KEPS NUT ZINC PLATED | 4 | EA | |
| 8 | PE060031 | J-MOLD (LARGE WINDOW) | 1 | EA | |
| Not Shown | NOTE | (NOT FIELD REPLACEABLE - MUST ORDER ITEM # 2) | | EA | |
| 9 | 008097-000 | FRAME, GLASS, ALUMINUM | 1 | EA | |
| Not Shown | NOTE | (NOT FIELD REPLACEABLE - MUST ORDER ITEM # 2) | | EA | |
| 10 | 002740-000 | DOOR HINGE | 2 | EA | See TC-0121-SP Service Bulletin |
| 11 | 007583-000 | BRACKET, GLASS | 2 | EA | |
| 12 | 004688-000 | DOOR PANEL INSULATION LINER | 1 | EA | |
| 13 | A2002189 | DOOR GLASS STANDOFF (VDSC) | 2 | EA | |
| 14 | PE060039 | GLASS-HEAT TREATED (HB2) VDSC | 2 | EA | |





| Item | Part No. | Name | Qty | Uom | NOTES |
|---|------------|--|-----|-----|-------|
| 15 | 000594-000 | BLACK FIBERGLASS ROPE 3/8" | 1 | EA | |
| 16 | 000042-000 | 30" DOOR GASKET | 1 | EA | |
| 17 | 001142-000 | PLUG, DOOR, ASM, PROCELAIN | 1 | EA | |
| Comments for Part Num. 001142-000 | | | | | |
| bradleysapplianceservice@shaw.ca on Nov 2, 2015 | | | | | |
| 001142-000 PLUG, DOOR, ASM, PORCELAIN (GREY WITH WHITE SPECS) OLD STYLE | | | | | |
| 001142-402 PLUG, DOOR, ASM, PORCELAIN BK (BLACK LINER) NEW STYLE | | | | | |
| 18 | 002560-000 | DOOR PLUG INSULATION | 1 | EA | |
| 19 | 004691-000 | DOOR LINER ASSY | | EA | |
| Comments for Part Num. 004691-000 | | | | | |
| profixappliances@gmail.com on Dec 29, 2017 | | | | | |
| 004691-000 IS SPECKLED FINISH, FOR ALL BLACK FINISH ORDER 004691-402. | | | | | |
| 20 | 005475-000 | DOOR INSULATION | 1 | EA | |
| 21 | PE060030 | OUTER DOOR GLASS | 1 | EA | |
| Not Shown | NOTE | (NOT FIELD REPLACEABLE - MUST ORDER ITEM # 2) | | EA | |
| 22 | 006553-000 | DOOR BRACKET, WELD ASSY | 1 | EA | |
| 23 | 030823-000 | #10-32 PAN HEAD PHILLIPS MACHINE SCREW | 4 | EA | |
| 24 | 003012-000 | DOOR HANDLE ENDCAP ASSY, RH (CHROME) | 1 | EA | |
| 24 | 003012-100 | DOOR HANDLE ENDCAP ASSY, RH (BRASS) - NLA | 1 | EA | |
| 25 | PD020073 | SRW #10 X 24 X 3/8 WAFER HD TYPE23 | 2 | EA | |
| 26 | 002728-000 | DOOR HANDLE - SS, 1.25" 29.5 | 1 | EA | |
| 27 | PD030006 | CAPPED WASHER PAL NUT | 2 | EA | |
| 28 | PE010016 | LOGO (ALL RANGES) *BK/CHR 307997W | 1 | EA | |
| 28 | PE010079 | 4.5" LOGO/VIKING PROF *BK/BR | 1 | EA | |
| 29 | 007853-000 | INSULATION, DOOR SKIN | 2 | EA | |

NON ILLUSTRATED PART





| Item | Part No. | Name | Qty | Uom | NOTES |
|-----------|------------|---|-----|-----|-------|
| NI | 023040-000 | HARNESS, CNVN, SWITCH, ASM | 1 | EA | |
| NI | 019195-000 | WIRING HARNESS, VGIC5304B | 1 | EA | |
| Not Shown | NOTE | (BEFORE 01/10/11) | | EA | |
| NI | 040202-000 | HARNESS, W, VGIC5304B | 1 | EA | |
| Not Shown | NOTE | (ON OR AFTER 01/10/11) | | EA | |
| NI | 017735-000 | HARNESS, CONTROL BK/BR | 1 | EA | |
| Not Shown | NOTE | (BEFORE 12/20/12) | | EA | |
| NI | 036193-000 | HARNESS, CONTROL, BK/BR | 1 | EA | |
| Not Shown | NOTE | (ON OR AFTER 12/20/12) | | EA | |
| NI | 007378-000 | LIGHT SWITCH HARNESS | 1 | EA | |
| NI | 006766-000 | IRIS IGNITOR WIRE, BACK BURNER | 1 | EA | |
| NI | 000647-000 | IRIS IGNITOR WIRE, FRONT BURNER | 1 | EA | |
| NI | 051439-000 | VGIC530-4B SPILL GUTTER KIT FOR TC-0098-SP BULLETIN | 1 | EA | |
| NI | PE070889 | IRIS HARNESS (24"/30") | 1 | EA | |
| NI | 001911-000 | WIRE, ASSY, BAKE IGNITOR | 1 | EA | |
| Not Shown | NOTE | (BEFORE 06/02/10) | | EA | |
| NI | 007298-000 | BAKE IGNITOR WIRE, ASM | 1 | EA | |
| Not Shown | NOTE | (FROM 06/02/10 THRU 01/10/11) | | EA | |
| NI | 024606-000 | WIRE, BAKE, ELECTRODE, ASM | 1 | EA | |
| Not Shown | NOTE | (ON OR AFTER 01/10/11) | | EA | |
| NI | 001914-000 | WIRE, ASSY, BROIL IGNITOR | 1 | EA | |
| Not Shown | NOTE | (BEFORE 06/02/10) | | EA | |
| NI | 024605-000 | WIRE, BRL, ELECTRODE, ASM | 3 | EA | |
| NI | 023750-000 | CORD, SUPPLY | 1 | EA | |

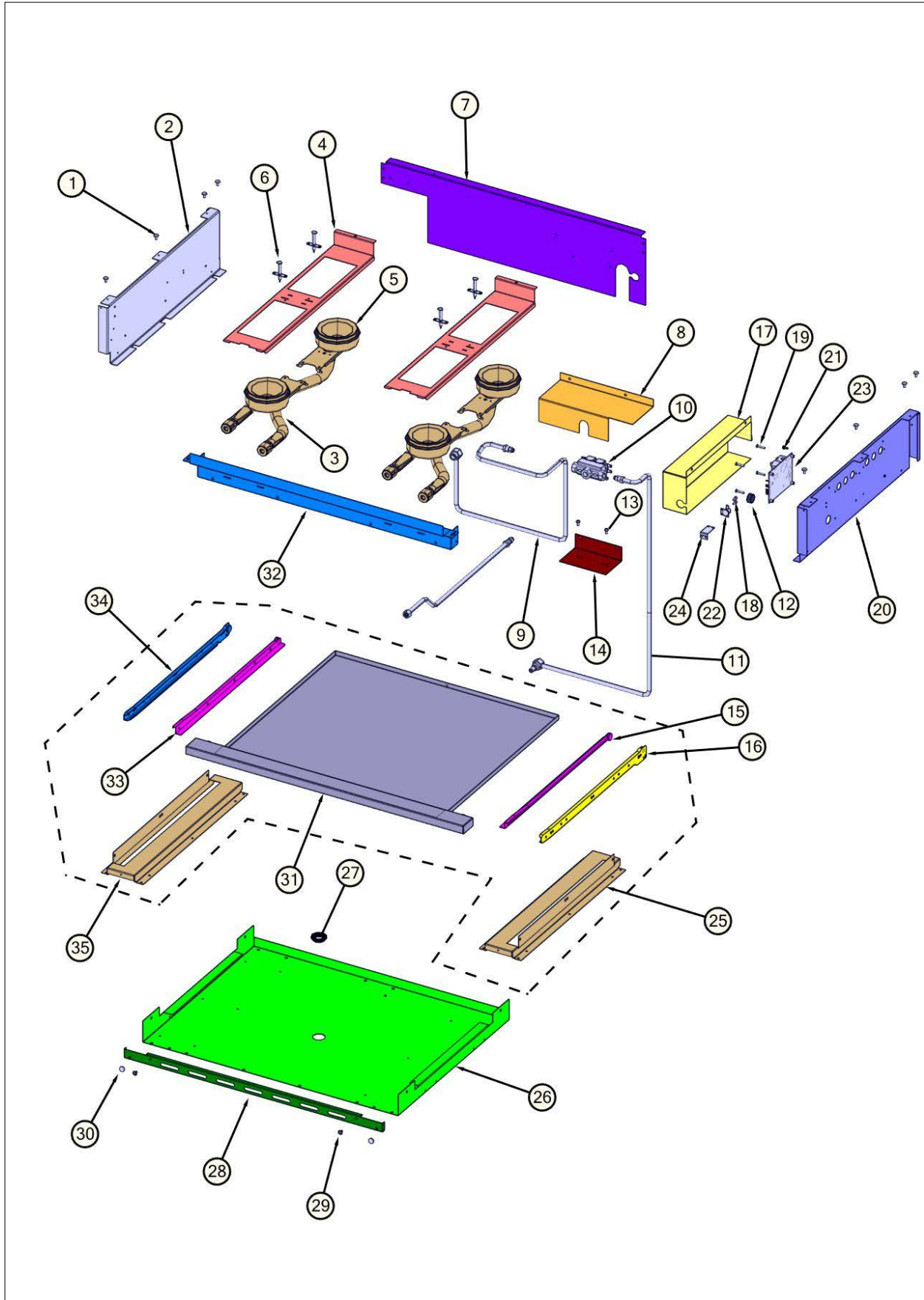
Comments for Page: WIRING



VGIC53014BSS

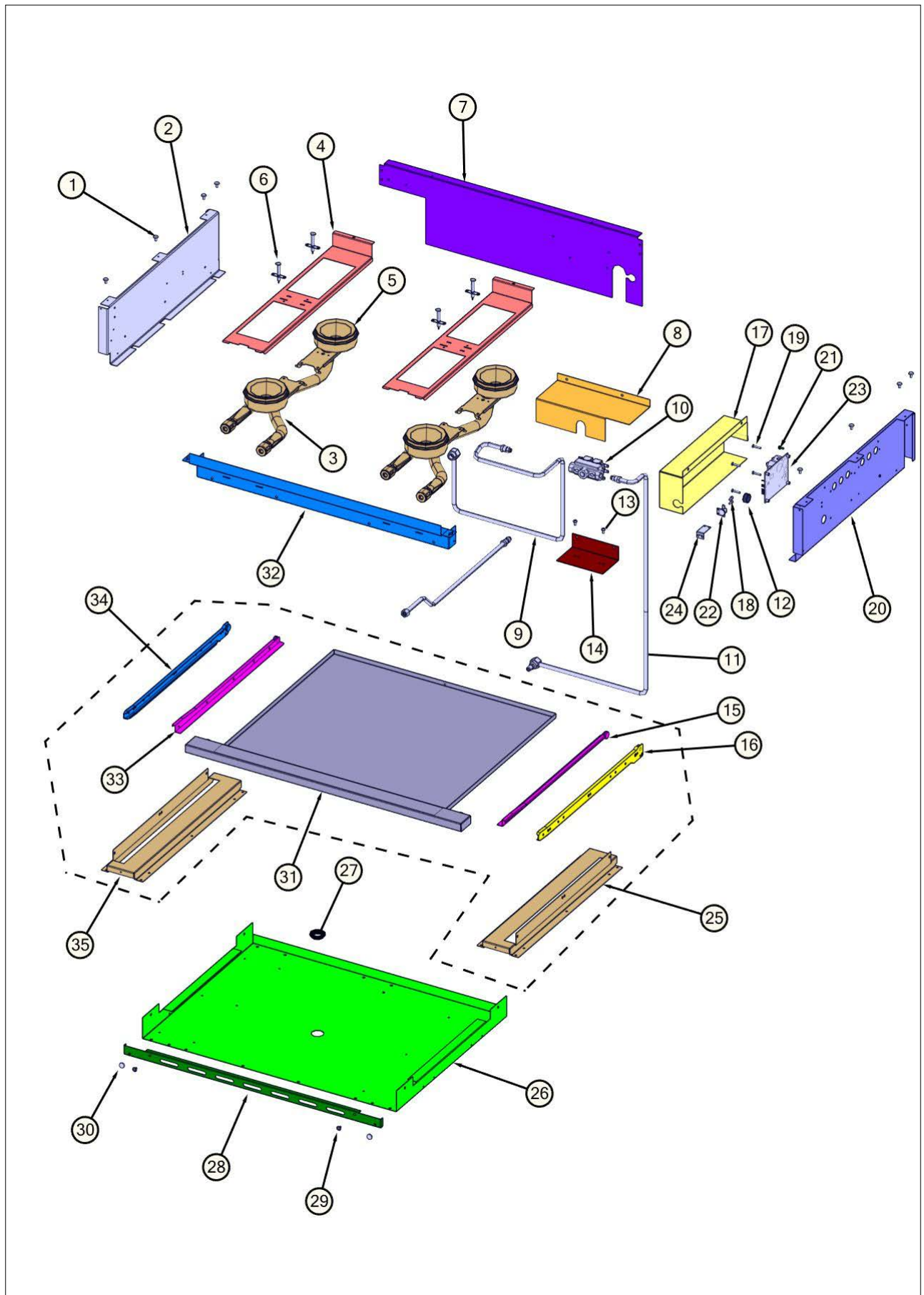
bradleysapplianceservice@shaw.ca on Dec 3, 2015
023750-000 POWER SUPPLY CORD 120VAC - VGCC/VGIC

BURNER BOX AREA



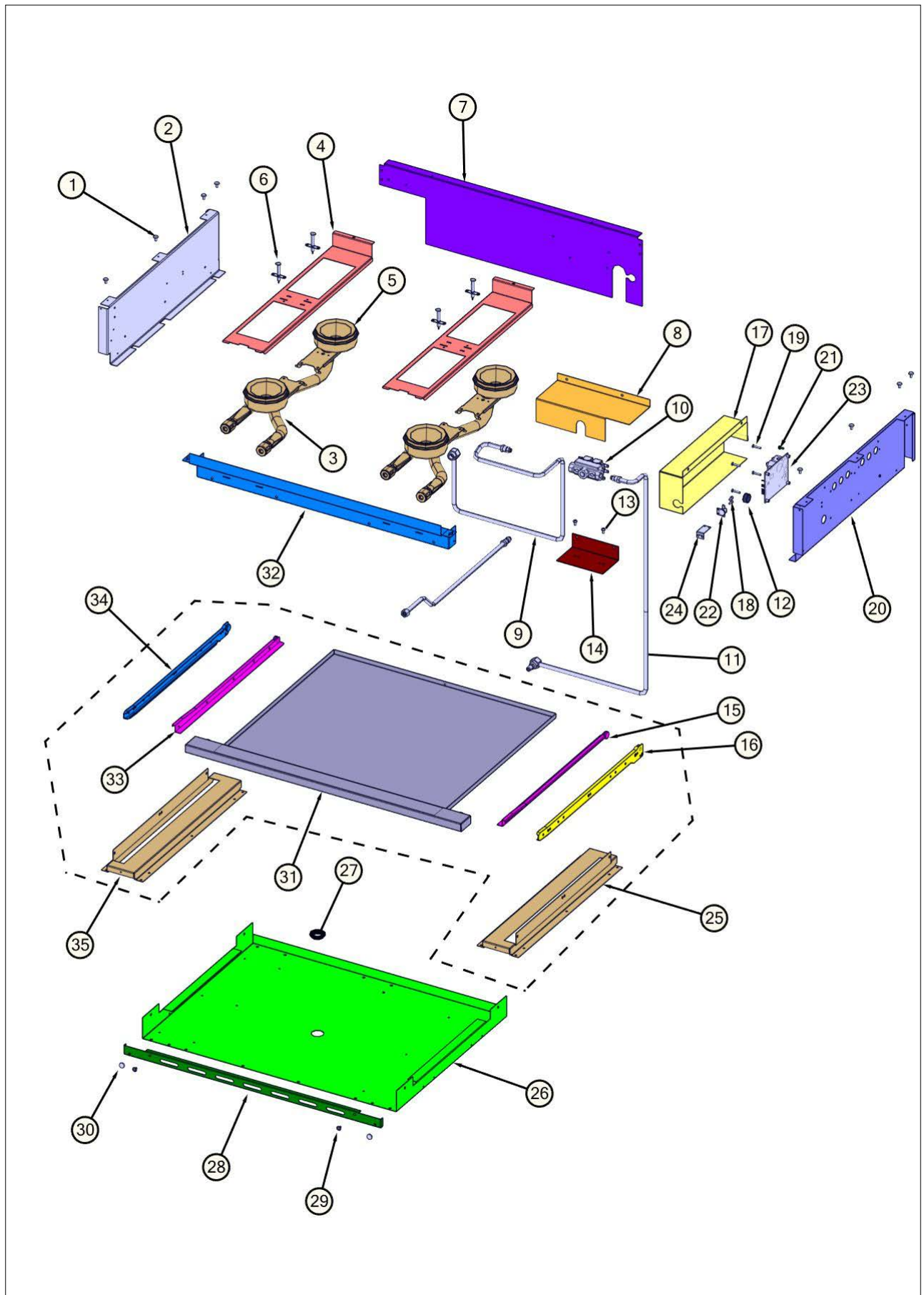


| Item | Part No. | Name | Qty | Uom | NOTES |
|-----------|------------|--|-----|-----|---------------------|
| 1 | PD020033 | SRW-#10-24X1/2"T(23)PH.WFR HD (NKL) | 4 | EA | |
| 2 | 003481-000 | BURNER BOX SIDE, LH | 1 | EA | |
| 3 | 015486-000 | BURNER, FRONT, ASM | 2 | EA | |
| 4 | 015485-000 | SUPPORT, BURNER, VGIC | 2 | EA | |
| 5 | 015493-000 | BURNER, REAR, ASM | 2 | EA | |
| 6 | PA020028 | SPARK IGNITER | 4 | EA | |
| 7 | 016976-000 | SUPPORT, REAR VGIC530 | 1 | EA | |
| 8 | 016980-000 | COVER, VALVE, 30" | 1 | EA | |
| 9 | 015535-000 | TUBING, BROIL ASM | 1 | EA | |
| 10 | 009112-000 | VALVE, SOL, DOUBLE | 1 | EA | |
| 11 | 015533-000 | TUBING, BAKE, RH ASM | 1 | EA | |
| 12 | PD040005 | SNAP BUSHING - 7/8 | 2 | EA | |
| 13 | PD020004 | 10X3/8PH.HD.TYPE 25 REPL PD040125 | 1 | EA | |
| 14 | 015515-000 | BRACKET, VALVE | 1 | EA | |
| 15 | PK000010 | RUNNER, DRIP TRAY - RH (VGRT) | 1 | EA | |
| Not Shown | NOTE | (IF REPLACED, MUST REPLACE #15,#16, #25, #31, #33, #34, #35 WITH 061181-000, 061191-000, AND 061179-000) | 1 | EA | |
| 16 | PK000008 | Drip Tray Guide - RH | 1 | EA | NO LONGER AVAILABLE |
| Not Shown | NOTE | (IF REPLACED, MUST REPLACE #15,#16, #25, #31, #33, #34, #35 WITH 061181-000, 061191-000, AND 061179-000) | | EA | |
| 17 | 016780-000 | COVER, DSI | 1 | EA | |
| 18 | PD020067 | ' #6 X 3/8" PAN PHIL. TEK *SS* | 2 | EA | |
| 19 | PD020043 | #6-32 X .750 PH. CTRSK T(F)-VGSO166 | 4 | EA | |
| 20 | 016658-000 | BURNER BOX SIDE, RH | 1 | EA | |
| 21 | PD020010 | 10 X 3/8 GREEN GROUNDING SCREW | 1 | EA | |
| 22 | PJ030039 | BI-METAL THERMOSTAT 275 DEGREES | 1 | EA | |
| 23 | PA020056 | NLA - See TC-0063D-SP for kit number (see comments) | 1 | EA | |





| Item | Part No. | Name | Qty | Uom | NOTES |
|-----------|------------|--|-----|-----|--|
| Not Shown | NOTE | (BEFORE 12/29/10) | | EA | |
| 23 | 023651-000 | DSI120-2-LVS | 1 | EA | |
| Not Shown | NOTE | (ON OR AFTER 12/29/10) | | EA | |
| 24 | A20014089 | DISC BRACKET | 1 | EA | |
| 25 | 015500-000 | BRACKET, SLIDE RH | 2 | EA | |
| Not Shown | NOTE | (IF REPLACED, MUST REPLACE #15,#16, #25, #31, #33, #34, #35 WITH 061181-000, 061191-000, AND 061179-000) | | EA | |
| NI | 015501-000 | BRACKET, SLIDE ASM RH | 1 | EA | Not available online / Call for pricing and availability |
| Not Shown | NOTE | (INCLUDES ITEMS 25 AND 16) | | EA | |
| 26 | 016973-000 | TOP, CABINET VGIC530 | 1 | EA | |
| 27 | PB070079 | SILICONE EXTRUSION (DGSU) | 1 | EA | |
| 28 | 016977-000 | TRIM, FR, TOP 30" DCBZ | 1 | EA | |
| 29 | PD020063 | SCREW-#8(A) X 3/8"PH WFR HD/BK OXID | 2 | EA | |
| 30 | PD040004 | GROMMET BUMPER | 4 | EA | |
| 31 | 043663-000 | TRAY, DRIP, ASSEMBLY, 30" | 1 | EA | |
| Not Shown | NOTE | (IF REPLACED, MUST REPLACE #15,#16, #25, #31, #33, #34, #35 WITH 061181-000, 061191-000, AND 061179-000) | | EA | |
| 32 | 016975-000 | SUPPORT, FRONT VGIC530 | 1 | EA | |
| 33 | PK000009 | Drip Tray Guide - LH | 1 | EA | |
| Not Shown | NOTE | (IF REPLACED, MUST REPLACE #15,#16, #25, #31, #33, #34, #35 WITH 061181-000, 061191-000, AND 061179-000) | | EA | |
| 34 | PK000007 | DRIP TRAY GUIDE - LH (VGRT) | 1 | EA | NO LONGER AVAILABLE |
| Not Shown | NOTE | (IF REPLACED, MUST REPLACE #15,#16, #25, #31, #33, #34, #35 WITH 061181-000, 061191-000, AND 061179-000) | | EA | |
| 35 | 015504-000 | BRACKET, SLIDE LH | 1 | EA | |





| Item | Part No. | Name | Qty | Uom | NOTES |
|-----------|------------|--|-----|-----|-------|
| Not Shown | NOTE | (IF REPLACED, MUST REPLACE #15,#16, #25, #31, #33, #34, #35 WITH 061181-000, 061191-000, AND 061179-000) | | EA | |
| NI | 015505-000 | BRACKET, SLIDE ASM LH | 1 | EA | |
| Not Shown | NOTE | (INCLUDES ITEMS 34 AND 35) | | EA | |
| NI | G4002752 | DRIP TRAY GROUND WIRE (VDSC) | 1 | EA | |



Appendix A:Pages Index

BURNER BOX AREA 8
LOWER UNIT AND SIDE PANELS 5
OVEN CAVITY 3
REAR SHEET METAL 4
SURFACE COOKING AREA 1
VGIC53014-REV00 Door parts 6
VGIC53014BSS-REV00 Control area parts 2
WIRING 7



Appendix B:Parts Index

| | | | |
|------------|---|------------|---|
| 000042-000 | 6 | 007147-000 | 2 |
| 000594-000 | 6 | 007278-000 | 3 |
| 000647-000 | 7 | 007298-000 | 7 |
| 001142-000 | 6 | 007361-002 | 5 |
| 001911-000 | 7 | 007361-003 | 5 |
| 001914-000 | 7 | 007361-004 | 5 |
| 002560-000 | 6 | 007361-005 | 5 |
| 002728-000 | 6 | 007361-006 | 5 |
| 002740-000 | 6 | 007361-008 | 5 |
| 003011-000 | 6 | 007361-009 | 5 |
| 003011-100 | 6 | 007361-010 | 5 |
| 003012-000 | 6 | 007361-012 | 5 |
| 003012-100 | 6 | 007361-013 | 5 |
| 003056-000 | 5 | 007361-015 | 5 |
| 003481-000 | 8 | 007361-016 | 5 |
| 003719-000 | 2 | 007361-017 | 5 |
| 003801-000 | 5 | 007361-018 | 5 |
| 004464-000 | 4 | 007361-019 | 5 |
| 004479-000 | 5 | 007361-020 | 5 |
| 004482-000 | 5 | 007361-021 | 5 |
| 004684-000 | 6 | 007361-022 | 5 |
| 004685-000 | 6 | 007361-023 | 5 |
| 004688-000 | 6 | 007361-024 | 5 |
| 004691-000 | 6 | 007361-025 | 5 |
| 004907-000 | 6 | 007361-026 | 5 |
| 005047-000 | 3 | 007361-027 | 5 |
| 005102-000 | 3 | 007378-000 | 7 |
| 005269-000 | 2 | 007400-000 | 4 |
| 005329-000 | 3 | 007484-000 | 4 |
| 005330-000 | 3 | 007583-000 | 6 |
| 005373-000 | 3 | 007853-000 | 6 |
| 005475-000 | 6 | 008097-000 | 6 |
| 005529-000 | 3 | 008416-000 | 2 |
| 005536-000 | 3 | 009112-000 | 8 |
| 006192-000 | 3 | 013386-000 | 2 |
| 006198-000 | 5 | 013580-402 | 3 |
| 006199-000 | 5 | 014143-000 | 5 |
| 006355-000 | 2 | 015485-000 | 8 |
| 006553-000 | 6 | 015486-000 | 8 |
| 006766-000 | 7 | 015493-000 | 8 |
| | | 015496-000 | 1 |



| | | | |
|------------|---|------------|---|
| 015497-000 | 1 | 021309-022 | 5 |
| 015500-000 | 8 | 021309-023 | 5 |
| 015501-000 | 8 | 021309-024 | 5 |
| 015504-000 | 8 | 021309-025 | 5 |
| 015505-000 | 8 | 021309-026 | 5 |
| 015515-000 | 8 | 021309-027 | 5 |
| 015533-000 | 8 | 021310-002 | 5 |
| 015535-000 | 8 | 021310-003 | 5 |
| 016658-000 | 8 | 021310-004 | 5 |
| 016780-000 | 8 | 021310-005 | 5 |
| 016973-000 | 8 | 021310-006 | 5 |
| 016975-000 | 8 | 021310-008 | 5 |
| 016976-000 | 8 | 021310-009 | 5 |
| 016977-000 | 8 | 021310-010 | 5 |
| 016978-000 | 2 | 021310-012 | 5 |
| 016980-000 | 8 | 021310-013 | 5 |
| 017735-000 | 7 | 021310-015 | 5 |
| 019123-000 | 5 | 021310-016 | 5 |
| 019124-000 | 5 | 021310-017 | 5 |
| 019160-000 | 4 | 021310-018 | 5 |
| 019195-000 | 7 | 021310-019 | 5 |
| 020404-000 | 3 | 021310-020 | 5 |
| 021225-402 | 3 | 021310-021 | 5 |
| 021225-403 | 3 | 021310-022 | 5 |
| 021309-009 | 5 | 021310-023 | 5 |
| 021309-002 | 5 | 021310-024 | 5 |
| 021309-003 | 5 | 021310-025 | 5 |
| 021309-004 | 5 | 021310-026 | 5 |
| 021309-005 | 5 | 021310-027 | 5 |
| 021309-006 | 5 | 023005-000 | 3 |
| 021309-008 | 5 | 023040-000 | 7 |
| 021309-010 | 5 | 023090-000 | 3 |
| 021309-012 | 5 | 023263-000 | 4 |
| 021309-013 | 5 | 023405-000 | 2 |
| 021309-015 | 5 | 023453-000 | 6 |
| 021309-016 | 5 | 023454-002 | 6 |
| 021309-017 | 5 | 023454-005 | 6 |
| 021309-018 | 5 | 023454-006 | 6 |
| 021309-019 | 5 | 023454-008 | 6 |
| 021309-020 | 5 | 023454-013 | 6 |
| 021309-021 | 5 | 023501-000 | 2 |



| | | | |
|-------------|---------|-------------|---|
| 023651-000 | 8 | 051439-000 | 7 |
| 023750-000 | 7 | 065467-000 | 3 |
| 024605-000 | 7 | 066203-000 | 3 |
| 024606-000 | 7 | 066225-402 | 3 |
| 030823-000 | 6 | 066982-000 | 1 |
| 031251-2255 | 2 | 068653-601 | 3 |
| 031679-000 | 3 | 072065-000 | 1 |
| 031961-000 | 4 | A1002596 | 3 |
| 032123-000 | 4 | A2001361 | 3 |
| 035881-000 | 2 | A20014089 | 8 |
| 035891-000 | 2 | A2002189 | 6 |
| 035955-000 | 5 | A2002595 | 3 |
| 036193-000 | 7 | A2004428 | 3 |
| 038426-000 | 5 | A2004429 | 5 |
| 038577-002 | 5 | A2008467 | 3 |
| 038577-003 | 5 | B2001448 | 3 |
| 038577-004 | 5 | B2005589 | 3 |
| 038577-005 | 5 | E9101115BK | 1 |
| 038577-006 | 5 | E91012614 | 3 |
| 038577-008 | 5 | E9104416BK | 1 |
| 038577-009 | 5 | G3001876 | 3 |
| 038577-010 | 5 | G4002752 | 8 |
| 038577-012 | 5 | G9104482 | 3 |
| 038577-013 | 5 | PA020028 | 8 |
| 038577-015 | 5, 5 | PA020056 | 8 |
| 038577-017 | 5, 5, 5 | PA020058 | 2 |
| 038577-020 | 5 | PA030002BK | 1 |
| 038577-021 | 5 | PA060037 | 1 |
| 038577-022 | 5 | PA070003 | 2 |
| 038577-023 | 5 | PB010304 | 2 |
| 038577-024 | 5 | PB010304PVD | 2 |
| 038577-025 | 5 | PB040027 | 3 |
| 038577-026 | 5 | PB040034 | 2 |
| 038577-027 | 5 | PB040035 | 3 |
| 040202-000 | 7 | PB040036 | 2 |
| 040736-000 | 3 | PB040040 | 3 |
| 041445-000 | 4 | PB040071 | 3 |
| 043663-000 | 8 | PB040170 | 3 |
| 044178-000 | 5 | PB040171 | 3 |
| 049718-402 | 3 | PB060030 | 3 |
| 051428-000 | 2 | PB060044 | 3 |



| | |
|----------|---------|
| PB070079 | 8 |
| PD010012 | 2 |
| PD010017 | 1 |
| PD020004 | 8 |
| PD020010 | 4, 8 |
| PD020032 | 3 |
| PD020033 | 1, 6, 8 |
| PD020043 | 8 |
| PD020046 | 2 |
| PD020048 | 5 |
| PD020061 | 3 |
| PD020063 | 8 |
| PD020067 | 8 |
| PD020073 | 6 |
| PD020232 | 3 |
| PD020269 | 2 |
| PD030006 | 6 |
| PD030010 | 6 |
| PD030012 | 1 |
| PD030018 | 3 |
| PD040004 | 8 |
| PD040005 | 4, 5, 8 |
| PE010016 | 6 |
| PE010079 | 6 |
| PE050023 | 2 |
| PE050024 | 2 |
| PE050057 | 3 |
| PE050206 | 3 |
| PE060030 | 6 |
| PE060031 | 6 |
| PE060039 | 6 |
| PE070889 | 7 |
| PJ030039 | 8 |
| PK000007 | 8 |
| PK000008 | 8 |
| PK000009 | 8 |
| PK000010 | 8 |