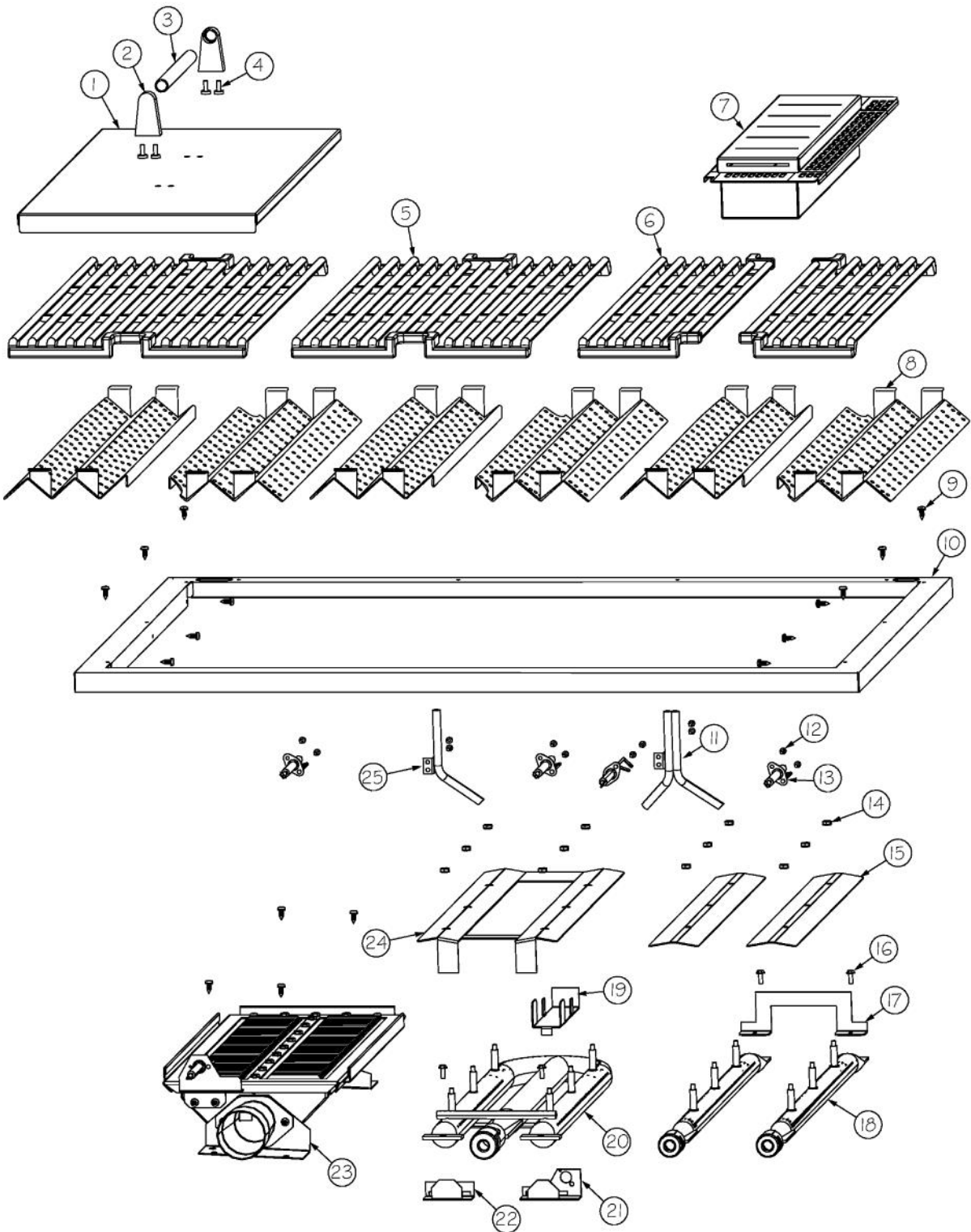
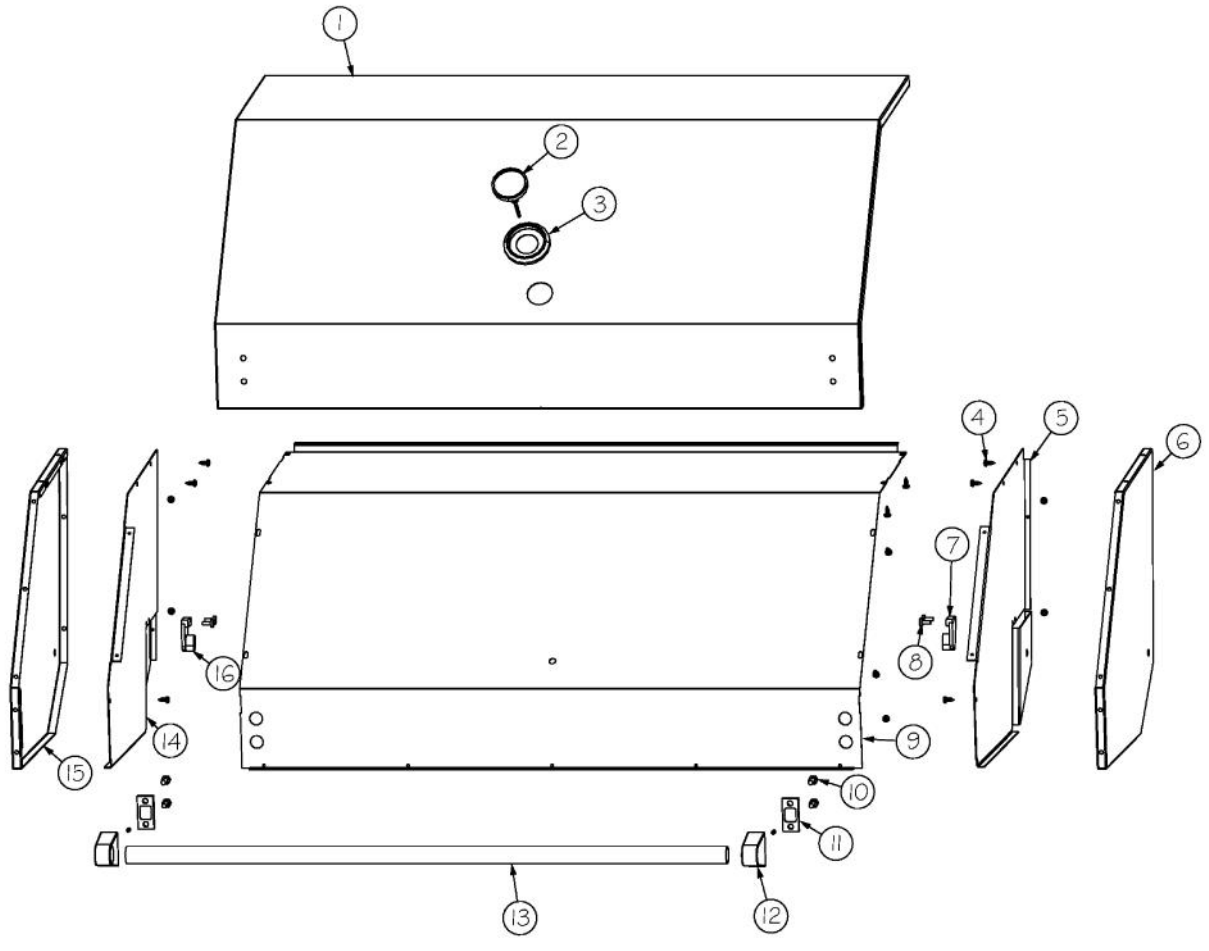


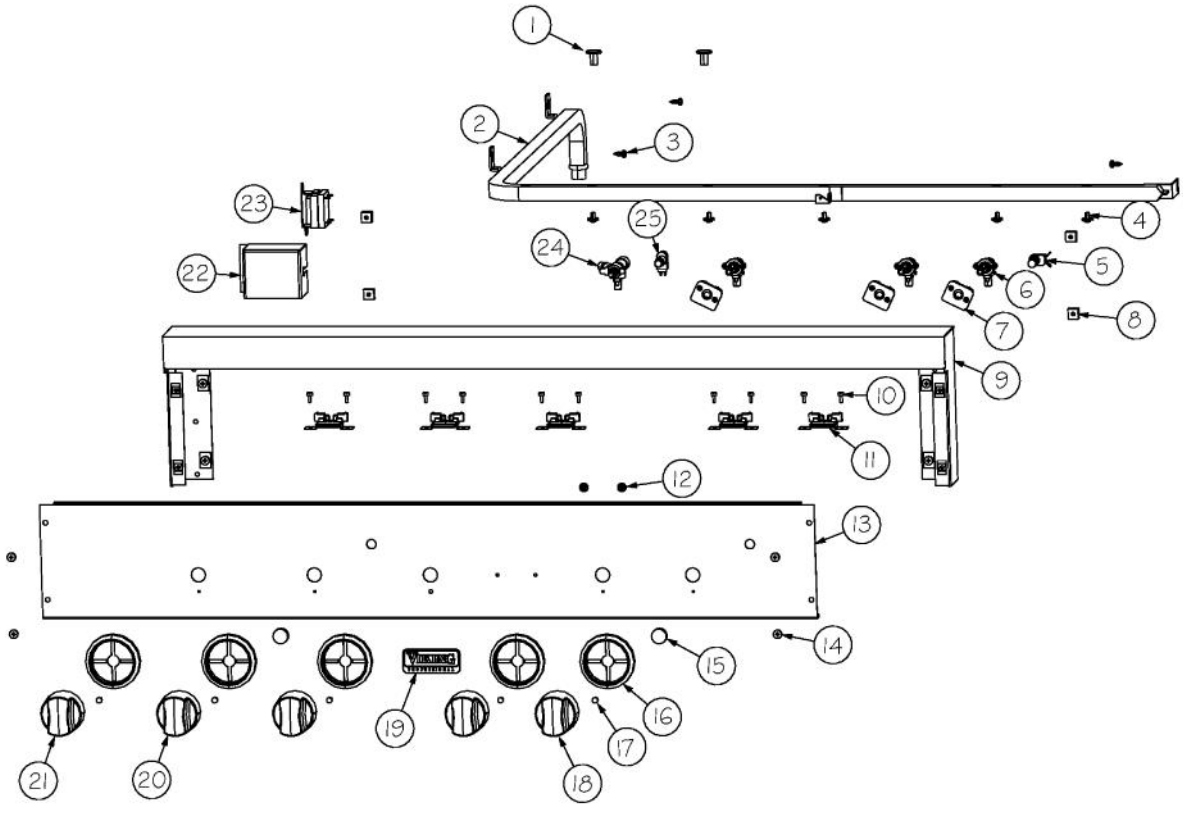
Ref #	Part Number	Qty.	Description
1	L1004881	1	REAR HEAT SHIELD 41 (PHASE 2)
2	PD020055	69	NO.10 X 1/2 PAN PHIL. TEK. SS
3	002671-000	2	RUBBER DOOR BUMPER
4	003857-000	1	4103 GRILL REAR TRIM
5	002353-000	2	GRILL PLUG VENT
6	B2006305	2	HEAT SHIELD BRACKET
7	B20015512	1	GRILL BOX BACK 41
8	002355-000	2	GRILL RECEPTACLE BOX
9	A20015411	1	GRILL WIRE CHANNEL - 41 REAR
10	L1005398	2	SIDE HEAT SHIELD
11	B2005203	1	GRILL BOX SIDE RH (PHASE 2)
12	006770-000	1	BURNER BOX ASSY, 41
13	B20015509	1	GRILL BOX BOTTOM 41
14	PD040044	1	SNAP THRU BUSHING 1/4DIA CORD
15	PE070791	1	GRILL POWER SUPPLY CORD (8 FT)
16	004089-000	1	POWER CORD SHIELD
17	B30015553	1	0+6 SPARK MODULE TERMINAL HOUSING
18	PE070147	1	TERMINAL BLOCK
19	PD020014	1	10X3/4 PH TR HD SMS
20	PA020048	1	INVENSYS 0+6 RE-IGNITION SPARK MODULE
21	008635-000	1	N/A
22	B2005204	1	PANEL, GRL, LH
23	A20015412	1	GRILL WIRE CHANNEL - 42 SHORT
24	B20011414	1	BURNER BOX DIVIDER (VGIQ300T)
25	B2005244	1	BURNER BOX CENTER TRIM
26	B2005246	1	BURNER BOX SHIELD (PHASE 2)
NI	019962-000	1	SERVICE POWER CORD SHIELD KIT



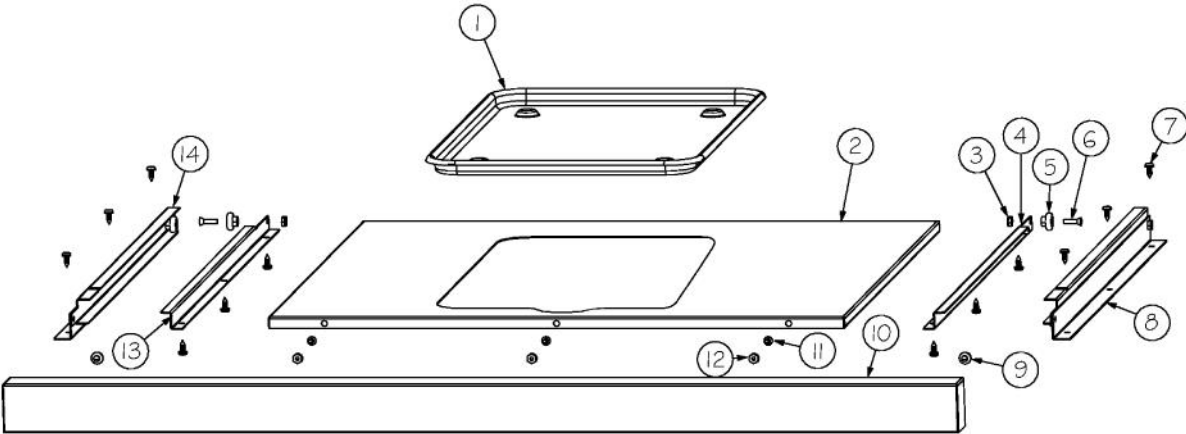
Ref #	Part Number	Qty.	Description
1	B20015413	1	VGIQ IR COVER
2	PE030187	2	ENDCAP, TUBE
3	PE030197	1	VGIQ30 COVER HANDLE
4	PD020056	4	NO.10-24 X 1/2 PH.TR. M.S. SS
5	002369-000	2	REDESIGN BBQ GRATE - FULL
6	002370-000	2	REDESIGN BBQ GRATE - HALF
7	G3005350	1	SMOKER BOX ASSY (VGBQ3002RT)
8	PK010061	6	HALF FLAVOR GRID PHASE 2
9	PD020055	16	NO.10 X 1/2 PAN PHIL. TEK. SS
10	B20015515	1	GRILL FRAME 41
11	PB020115	1	SMOKER FLASH TUBE
12	PD020067	14	NO.6 X 3/8 PAN PHIL. TEK SS
13	PB040288	3	SMOKER BURNER IGNITER
14	PD030044	12	10-24 KEPS NUT SS
15	006757-000	2	SMOKER DRIP SHIELD
16	PD020048	4	NO.10 X 1/2 TEK 410 SS SCREW
17	B2005248	1	FRONT BURNER BRACKET (PHASE 2)
18	PA080051	2	SMOKER/GRILL BURNER
19	006010-000	1	GRILL BURNER REAR BRACKET
20	004276-000	1	OUTDOOR GRILL U-BURNER
21	008181-000	1	BRCKT, IGNITOR, MT.
22	006011-000	1	GRILL BURNER FRONT BRACKET
23	G3208947	1	IR BURNER ASSY
24	007676-000	1	DRIP SHIELD, U
25	PB020114	1	FLASH TUBE (VGBQ3002T)



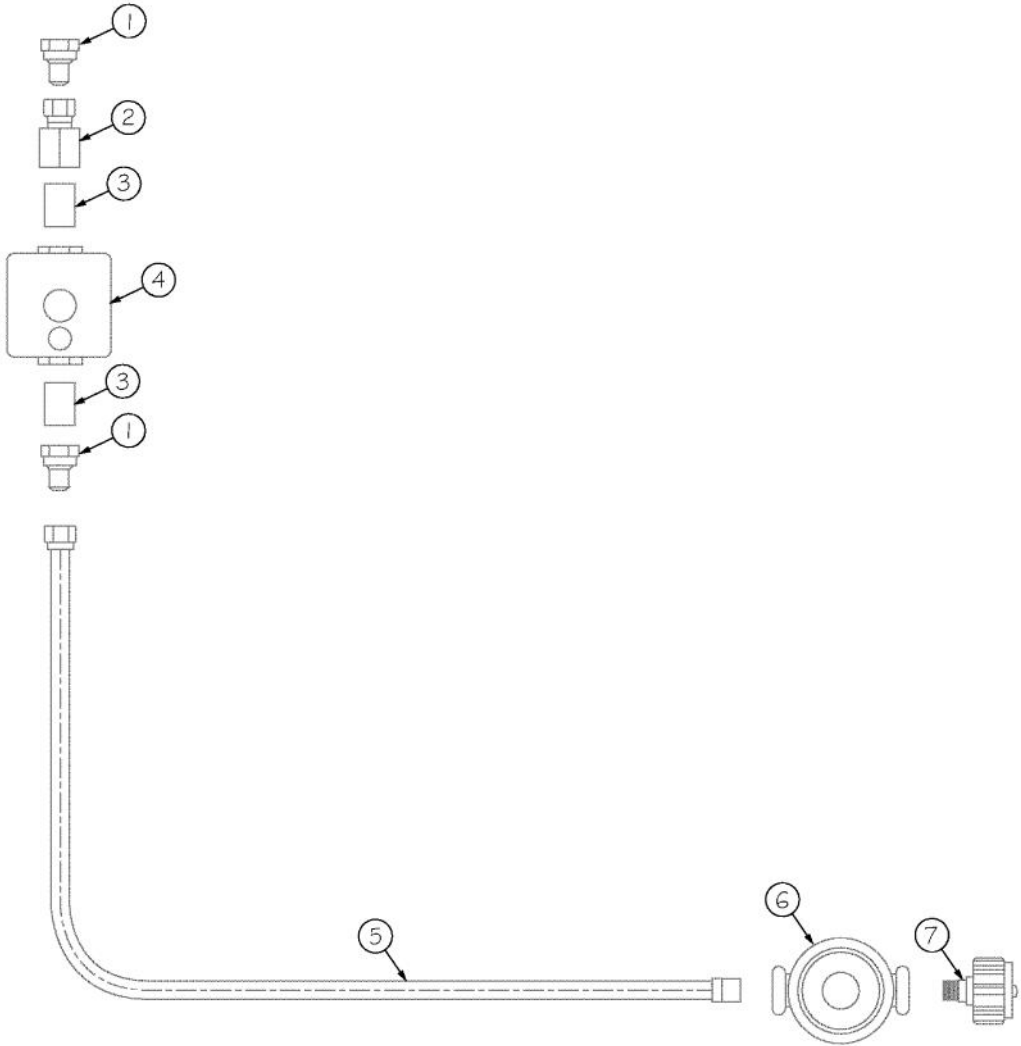
Ref #	Part Number	Qty.	Description
1	003636-000	1	41 OUTER CANOPY
2	PB010337	1	GRILL THERMOMETER
3	003366-000	1	THERMOSTAT BEZEL
4	PD020055	23	NO.10 X 1/2 PAN PHIL. TEK. SS
5	007379-000	1	GRILL CANOPY INSIDE RH
6	003630-000	1	GRILL CANOPY OUTSIDE RH
7	007215-000	1	CANOPY SPRING END MOUNT-RH
8	PD020056	4	NO.10-24 X 1/2 PH.TR. M.S. SS
9	003637-000	1	41 CANOPY HEAT SHIELD
10	PD020069	4	CAP SCREW 1/4-20 X 3/4 SS
11	PD040010	2	DOOR HANDLE SPACER
12	000268-000	2	HANDLE END CAP ASSY
13	PE030040	2	DOOR/CNPY HNDLE - RPLCS PE930090
14	003633-000	1	GRILL CANOPY INSIDE LH
15	003632-000	1	GRILL CANOPY OUTSIDE LH
16	005941-000	1	CANOPY SPRING END MOUNT-LH



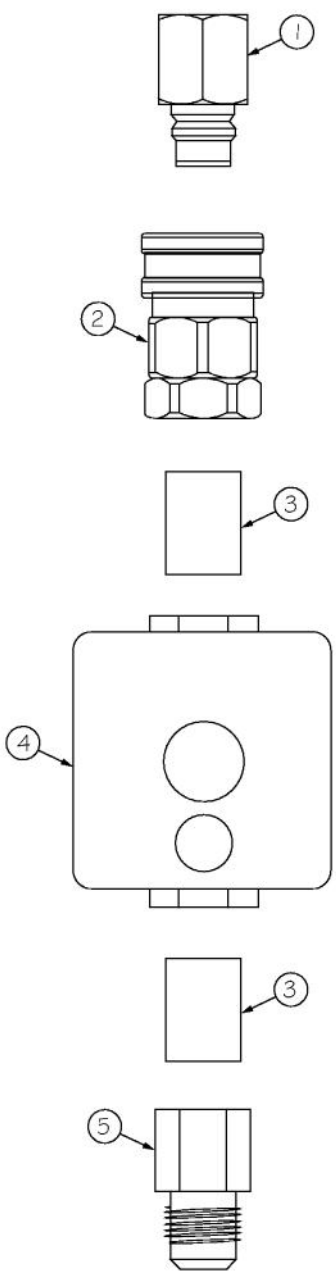
Ref #	Part Number	Qty.	Description
1	002884-000	2	MANIFOLD PLUG
2	PA050069	1	PHASE2 41 MANIFOLD
3	PD020055	3	NO.10 X 1/2 PAN PHIL. TEK. SS
4	PD010012	5	VALVE BOLT 1/4-20 UNC-2B 5/16 M.S.
5	PE050019	1	OVEN LIGHT SWITCH (VGSO166) 90-DEG.
6	006390-000	3	GAS VALVE - NAT.
7	PA020045	3	IGNITOR SWITCH
8	PD030050	4	10-24 CAGE NUT SS
9	PK010064	1	LANDING LEDGE (VGBQ41) T SERIES
10	PD020067	10	NO.6 X 3/8 PAN PHIL. TEK SS
11	005999-000	5	LED BOARD ASSEMBLY
12	PD030006	2	CAPPED WASHER PAL NUT
13	006065-000	1	VGIQ4103RE1 CONTROL PANEL
14	PD020056	4	NO.10-24 X 1/2 PH.TR. M.S. SS
15	PB010163	2	OVEN LIGHT SWITCH KNOB BK
16	PB010304	5	KNOB BEZEL
17	PD020067	5	NO.6 X 3/8 PAN PHIL. TEK SS
18	003561-000	3	OUTDOOR GRILL KNOB
19	PE010142	1	3 LOGO XBKXXCHROME
20	003563-000	1	ROTIS BURNER KNOB
21	003562-000	1	OUTDOOR IR GRILL KNOB
22	007657-000	1	PROT. COVER
23	006021-000	1	SCE, PWR, LED, 12VAC
24	PB010191	1	I.R. SAFETY VALVE (PHASE II GRILLS)
25	PE050063	1	SPARKER SWITCH



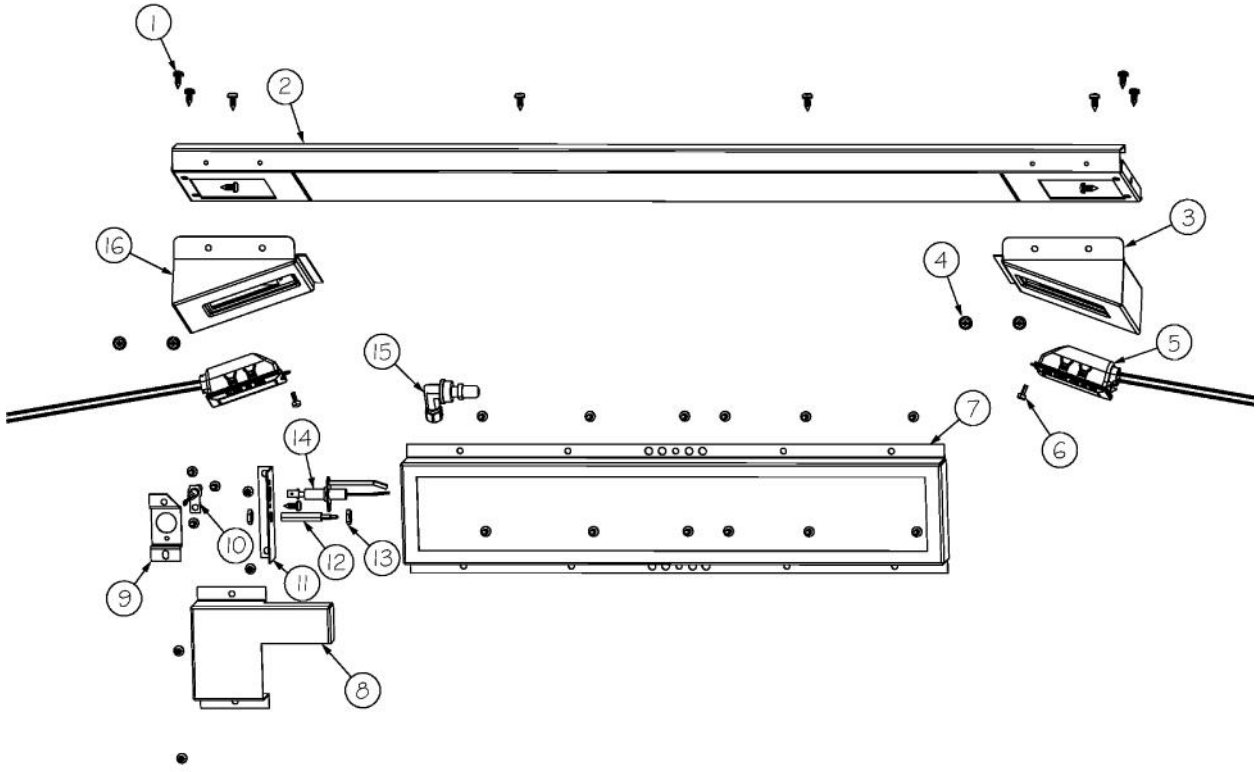
Ref #	Part Number	Qty.	Description
1	PB080061	1	GREASE PAN
2	B2005310	1	DRIP TRAY 41 (VGBQ4103RT)
3	PD030044	2	10-24 KEPS NUT SS
4	B2005316	1	DRIP TRAY RUNNER RH
5	PC020025	2	DRIP TRAY WHEEL
6	PD020082	2	10 X 24 COUNTERSUNK S.S. SCREW
7	PD020055	9	NO.10 X 1/2 PAN PHIL. TEK. SS
8	G3005214	1	DRIP TRAY SLIDE - LH
9	PD04004	2	SNAP THRU BUSHING 1/4DIA CORD
10	PK010067	1	DRIP TRAY HANDLE (VGBQ41) T SERIES
11	PD020056	3	NO.10-24 X 1/2 PH.TR. M.S. SS
12	PD030044	3	10-24 KEPS NUT SS
13	B2005317	1	DRIP TRAY RUNNER LH (PHASE 2)
14	G3005214	1	DRIP TRAY SLIDE - LH



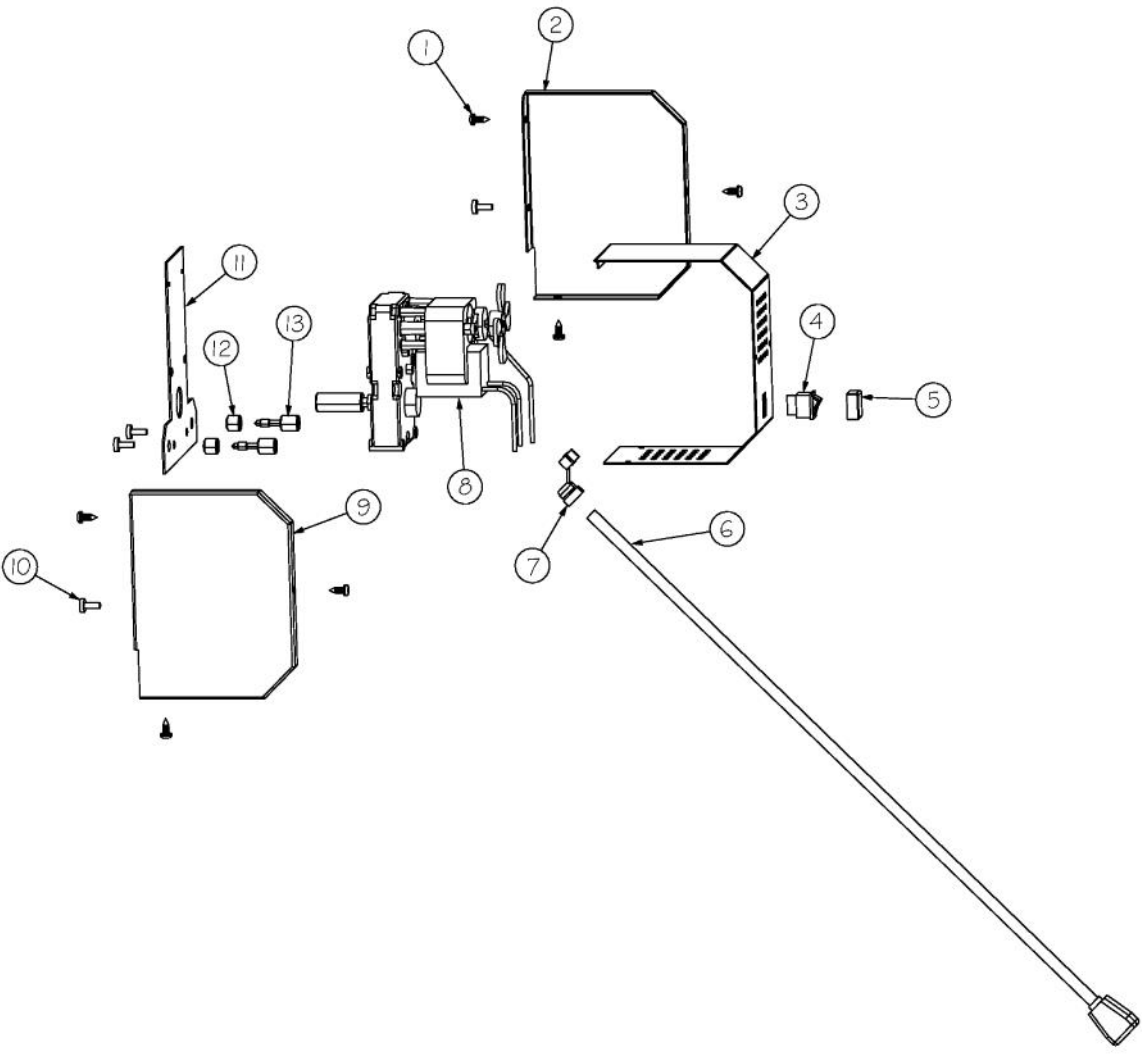
Ref #	Part Number	Qty.	Description
1	PB040146	2	1/2 X 3/8 FLARE ADAPTER (VGBQ)
2	PB040235	1	1/2NPT TO 3/8 FLARE COUPLING
3	PB040046	2	1/2 CLOSE NIPPLE (VGSO166)
4	PA070005	1	PRESSURE REG.(LP) RV47L-77-10.0
5	PB020227	1	HIGH PRESSURE LP HOSE
6	PA070007	1	LP TANK REGULATOR (VGBQ)
7	PA010138	1	CYLINDER CONNECTION



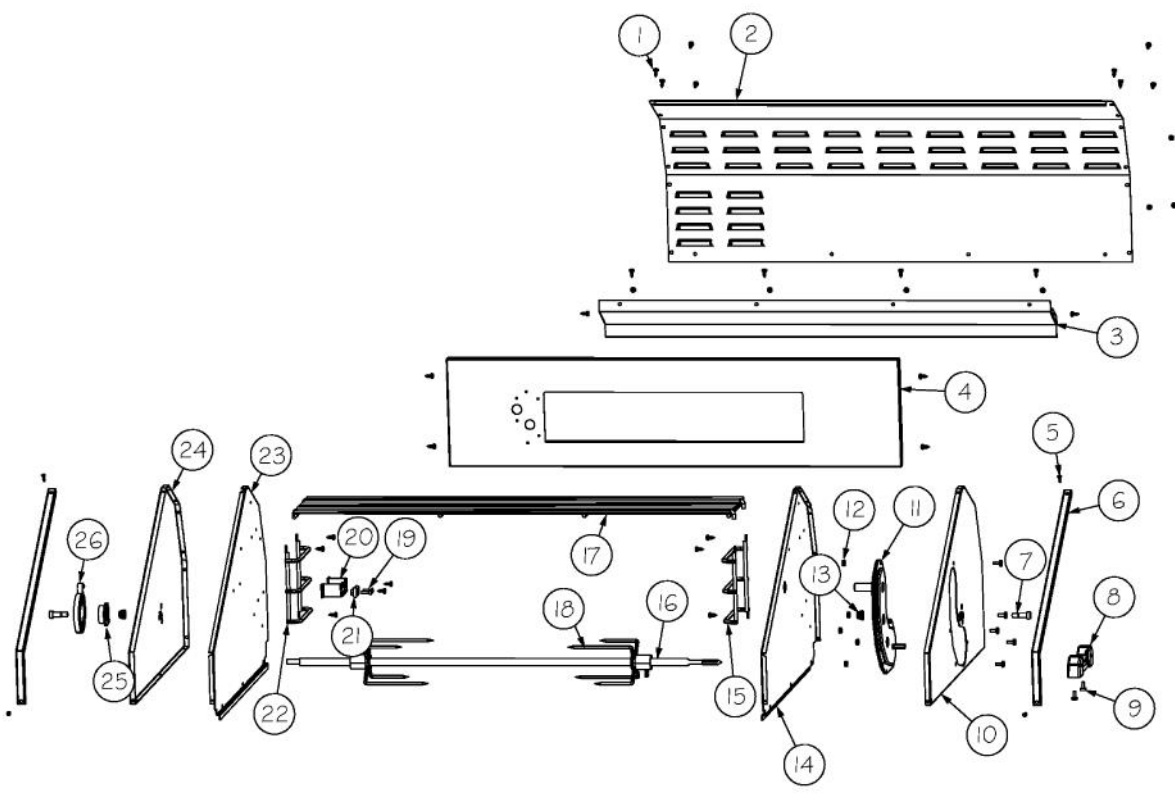
Ref #	Part Number	Qty.	Description
1	PB040167	1	MALE COUPLER (PHASE 1 GRILL)
2	PB040166	1	FEMALE COUPLER (PHASE 1 GRILL)
3	PB040046	2	1/2 CLOSE NIPPLE (VGSO166)
4	PA070006	1	PRESSURE REGULATOR - NATURAL
5	PB020239	1	7/8 FLARE TO 1/2 FEMALE CONNECTOR



Ref #	Part Number	Qty.	Description
1	PD020055	30	NO.10 X 1/2 PAN PHIL. TEK. SS
2	G91015562	1	41 E SERIES LIGHT BAR
3	000603-000	1	GRILL LIGHT HOUSING RH
4	PD020073	4	SRW NO.10 X 24 X 3/8 WAFER HD TYPE23
5	001310-000	2	120V HALOGEN LIGHT
6	PD020067	2	NO.6 X 3/8 PAN PHIL. TEK SS
7	B2005347	1	INFRARED FRAME
8	B20015402	1	I/R IGNITOR COVER LH
9	B20015401	1	FLEXIBLE IGNITOR STANDOFF
10	PB040280	1	FLEXIBLE ROTISSERIE IGNITOR
11	B20015403	1	IR IGNITOR BRACKET
12	PB010162	1	THERMOCOUPLE - BBQ GRILL W/ ROTIS
13	PD030048	2	THERMOCOUPLE NUT M08-VGBQ-8743300007
14	PB040160	1	WOK IGNITER
15	PB040124	1	90 DEG. ORIFICE FITTING
15	PB040125	1	ORIFICE FTG 90D 20IR NO.57 HD YELLOW
16	000602-000	1	GRILL LIGHT HOUSING LH
NI	G3005289	1	BURNER,ASM,,ASM,IR,20
NI	PB050060	1	I/R VENTURI (PHASE 2 BBQ)
NI	PB020096	1	48 5/16 S.S. FLEX TUBING REPL F2003505



Ref #	Part Number	Qty.	Description
1	PD020055	6	NO.10 X 1/2 PAN PHIL. TEK. SS
2	B2005285	1	PHASE II ROTIS BOX FRONT
3	B2005286	1	PHASE II ROTIS COVER
4	PE050051	1	ROTIS SWITCH
5	PE050046	1	ROTIS SWITCH BOOT
6	PE070189	1	ELECTRICAL SUPPLY CORD - BBQ GRILL
7	PD040044	1	SNAP THRU BUSHING 1/4DIA CORD
8	PE070184	1	ROTISSERIE MOTOR
9	B2005284	1	PHASE II ROTIS BOX FRONT
10	PD020056	4	NO.10-24 X 1/2 PH.TR. M.S. SS
11	B1005283	1	ROTIS. MOUNTING PLATE (PHASE 2)
12	PD030064	2	CAPTURE NUT 1/4 NO.20
13	PD010090	2	ROTIS FASTENER KNOB
NI	G3205282	1	ROTIS MOTOR ASSEMBLY (PHASE 2) (INCLUDES ITEMS 1 THRU 13)



Ref #	Part Number	Qty.	Description
1	PD020055	36	NO.10 X 1/2 PAN PHIL. TEK. SS
2	003653-000	1	41 GRILL REAR COVER
3	E91014431	1	FRONT HOUSING BOTTOM 41
4	G91015545	1	41 FRONT HOUSING WELD ASSY
5	000394-000	4	NO.8 SS TECH SCREW - COUNTERSINK
6	B20015574	2	GRILL WINDSHIELD TRIM
7	PD010043	2	5/16INCH SHOULDER BOLT (PHASE 2)
8	PB060055	1	ROTISSERIE MOUNT CASTING
9	PD020056	7	NO.10-24 X 1/2 PH.TR. M.S. SS
10	B20015575	1	OUTSIDE WINDSHIELD - RH
11	PC070024	1	ROTIS. GEAR BOX ASSY
12	PD030044	5	10-24 KEPS NUT SS
13	G5005257	2	OUTSIDE WINDSHIELD ASSY LH
14	B20015418	1	INSIDE WINDSHIELD RH
15	PB060112	1	WARMING RACK SUPPORT RH
16	PB060053	1	ROTISSERIE SPIT ROD 41
17	PB060056	1	WARMING RACK 41
18	PB060058	2	SPIT FORK
19	PD020082	2	10 X 24 COUNTERSUNK S.S. SCREW
20	PC020025	1	DRIP TRAY WHEEL
21	B2005278	1	ROTISSERIE ROLLER BRACKET (PHASE 2)
22	PB060113	1	WARMING RACK SUPPORT LH
23	B20015419	1	INSIDE WINDSHIELD LH
24	B20015576	1	OUTSIDE WINDSHIELD-LH
25	005942-000	1	SPRING INDEX
26	003746-000	1	FLAT TORSION SPRING FOR OUTDOOR GRILL CANOPY

*No Image
Available*

Ref #	Part Number	Qty.	Description
NI	PE070815	1	WIRE HARNESS (VGBQ4103RE)
NI	G4006379	1	WIRE ASSY (VGBQ-T SERIES) 25
NI	G40016229	1	IGNITOR WIRE 34
NI	G40016230	1	IGNITOR WIRE 40
NI	G40016227	1	IGNITOR WIRE 18
NI	025323-000	1	HARNESS, WIRE, ROTISSERIE
NI	006021-000	1	SCE, PWR, LED, 12VAC
NI	005999-000	5	LED BOARD ASSEMBLY
NI	006017-000	2	LED WIRE 4.875
NI	006018-000	2	LED WIRE 8.75
NI	006019-000	1	LED WIRE 10.75
NI	006384-000	1	30 & 41 WIRE ASSEMBLY