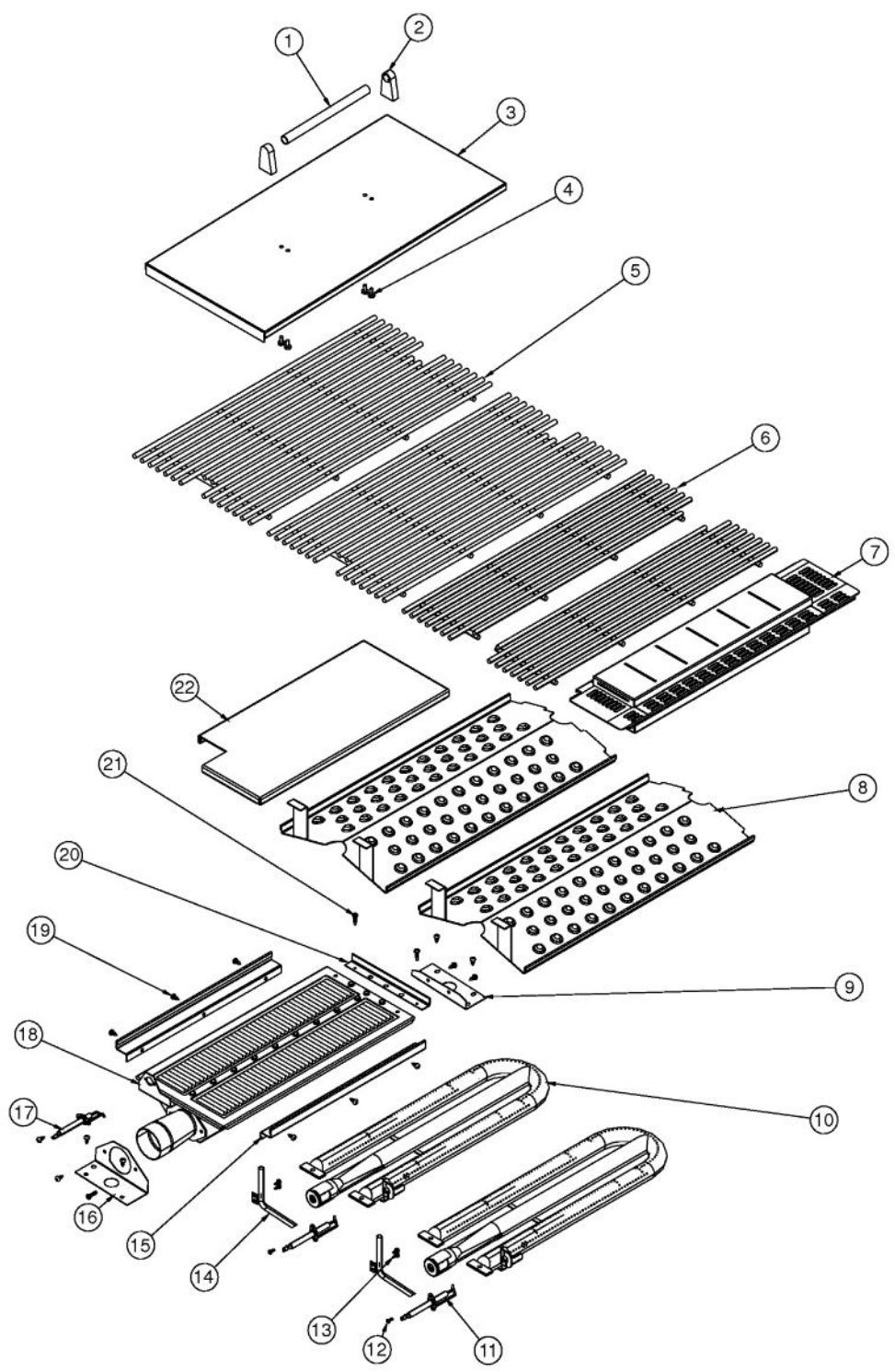
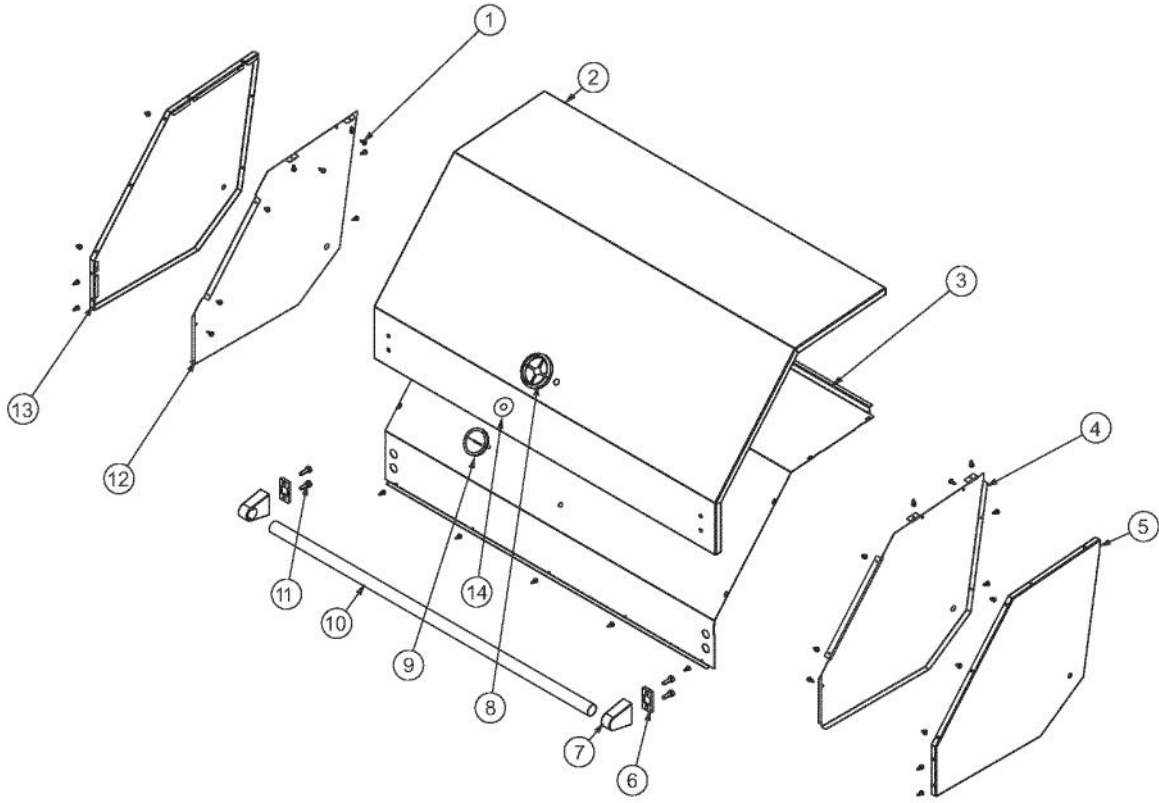


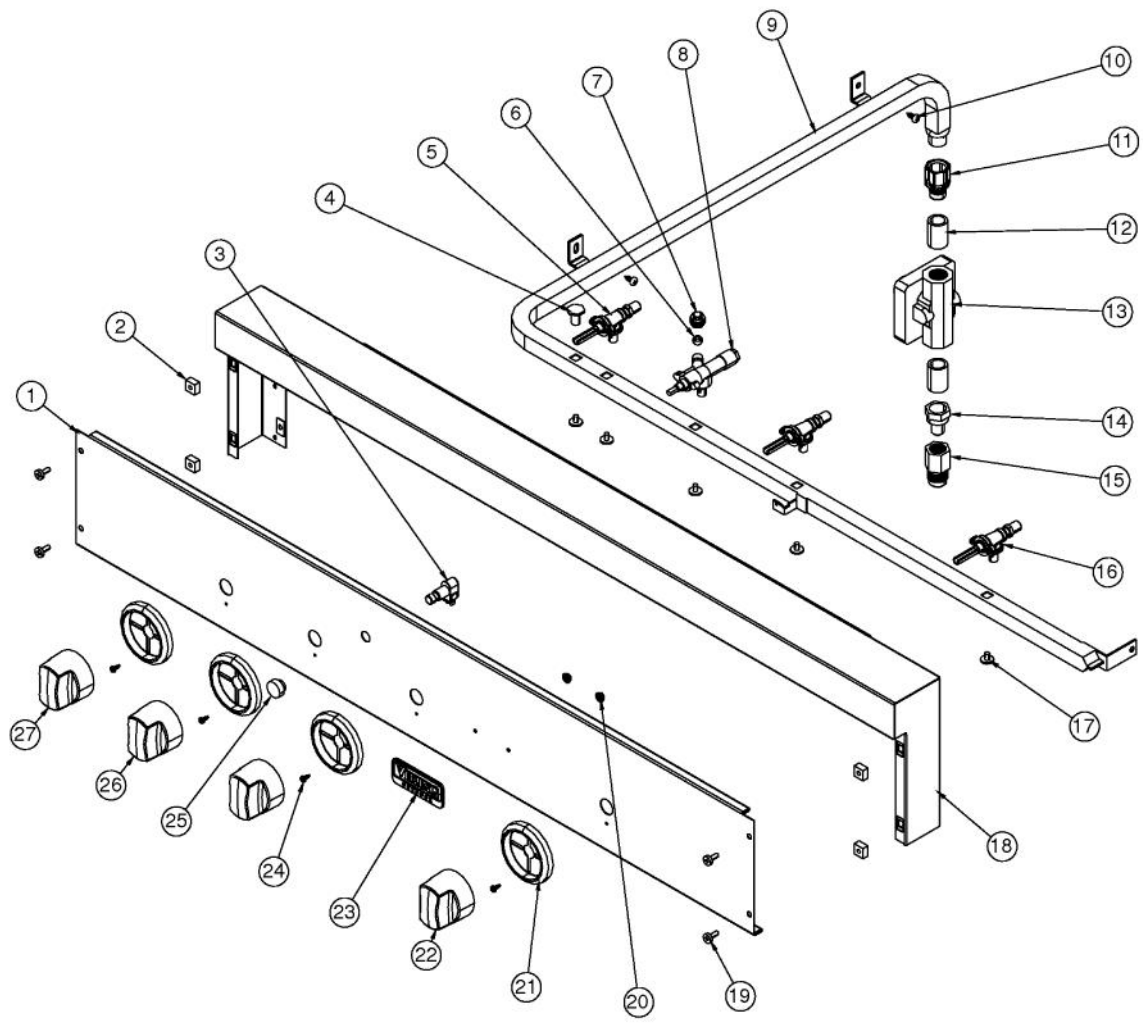
Ref #	Part Number	Qty.	Description
1	B20015515	1	GRILL FRAME 41
2	020051-000	59	SCR, DR, PHLP,PNH, 410SS, NPLT, 10-16 X 1/2
3	021084-000	1	BOX, GRIL, REAR, 41
4	021085-000	2	BOX, GRL BOT, 41
5	006010-000	2	GRILL BURNER REAR BRACKET
6	002671-000	2	RUBBER DOOR BUMPER
7	002354-000	3	GRILL PLUG PLATE
8	L1004881	1	REAR HEAT SHIELD 41 (PHASE 2)
9	B2006305	2	HEAT SHIELD BRACKET
10	003857-000	1	4103 GRILL REAR TRIM
11	B20015512	1	GRILL BOX BACK 41
12	B2005203	1	GRILL BOX SIDE RH (PHASE 2)
13	L1005398	2	SIDE HEAT SHIELD
14	PD030050	4	10-24 CAGE NUT SS
15	PD020056	4	NO.10-24 X 1/2 PH.TR. M.S. SS
16	B20015509	1	GRILL BOX BOTTOM 41
17	025752-000	1	SUPPORT, GRL, FR, 41
18	B2005250	1	SPARK MODULE BRACKET (PHASE 2)
19	PD020166	2	NO.10 X 3/4 PAN PHIL. TEK. XSSX
20	PA020036	1	SPARK MODULE
21	PM010049	1	SPARK MODULE BATTERY PHASE II
22	B2005204	1	PANEL, GRL, LH
23	021083-000	1	BOX, GRL, FR
24	006011-000	4	GRILL BURNER FRONT BRACKET
25	B2008939	1	IR SPARK IGNITOR COVER
26	B20011414	1	BURNER BOX DIVIDER (VGIQ300T)
27	B2008936	2	GRATE SPACER
NI	B2005250	1	SPARK MODULE BRACKET (PHASE 2) (INCLUDES ITEMS 18, 19, 20, & 21)



Ref #	Part Number	Qty.	Description
1	PE030197	1	VGIQ30 COVER HANDLE
2	PE030187	2	ENDCAP, TUBE
3	B20015415	1	VGIB151/VGIQ COVER
4	PD020056	4	NO.10-24 X 1/2 PH.TR. M.S. SS
5	PA060052	2	GRILL COOKING GRATES
6	PA060053	2	HALF GRILL GRATE
7	G3005350	1	SMOKER BOX ASSY (VGBQ3002RT)
8	024157-000	2	SHIELD, GRS
9	B2008946	1	42 BACK BURNER BRACKET
10	023000-000	2	BURNER, GRL, ASM, U
11	PB040288	2	SMOKER BURNER IGNITER
12	004706-000	2	MACHINE SCREW, 6-32 X 3/8, PAN HD, PHILLIPS
13	008026-000	4	NO.6-20 HEX WASHER SS SCREW
14	PB020114	2	FLASH TUBE (VGBQ3002T)
15	B2008925	2	SIDE SCREEN RAIL
16	B2008945	1	42 FRONT BURNER BRACKET
17	PB040288	1	SMOKER BURNER IGNITER
18	G3208947	1	IR BURNER ASSY
19	020051-000	14	SCR, DR, PHLP,PNH, 410SS, NPLT, 10-16 X 1/2
20	B2008962	1	BACK SCREEN RAIL
21	PD020166	3	NO.10 X 3/4 PAN PHIL. TEK. XSSX
22	B2008943	1	GREASE SCREEN
NI	025701-000		BURNER, GRL, ASM (INCLUDES ITEMS 10, 11, & 12)

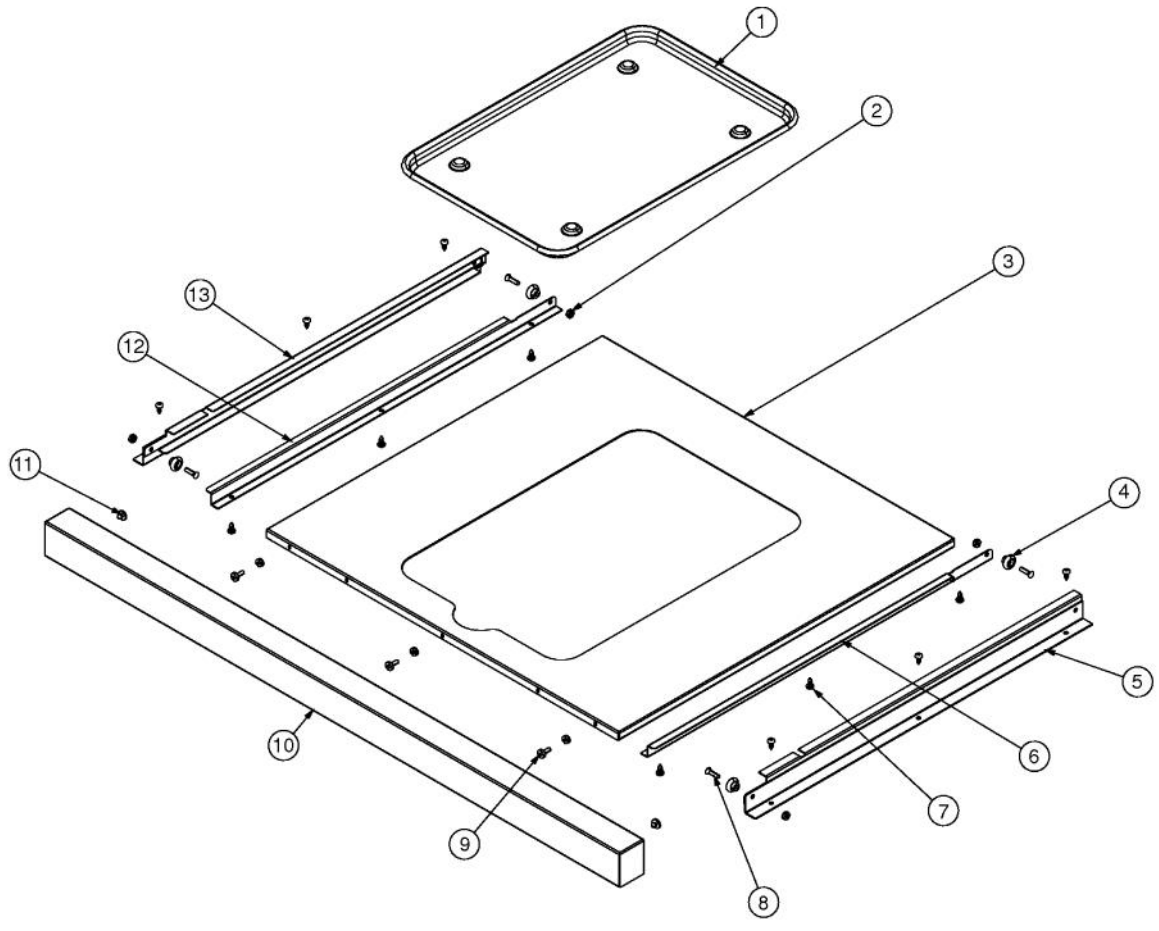


Ref #	Part Number	Qty.	Description
1	020051-000	31	SCR, DR, PHLP,PNH, 410SS, NPLT, 10-16 X 1/2
2	025893-000	1	HOOD, GRL, 41
3	003637-000	1	41 CANOPY HEAT SHIELD
4	006667-000	1	GRILL CANOPY INSIDE LH
5	003630-000	1	GRILL CANOPY OUTSIDE RH
6	PD040010	2	DOOR HANDLE SPACER
7	000268-000	2	HANDLE END CAP ASSY
8	PB010304	1	KNOB BEZEL
9	020659-000	1	GAUGE, BMTL, TEMPERATURE
10	PE030040	1	DOOR/CNPY HNDLE - RPLCS PE930090
11	PD020069	4	CAP SCREW 1/4-20 X 3/4 SS
12	006666-000	1	GRILL CANOPY INSIDE RH
13	003632-000	1	GRILL CANOPY OUTSIDE LH
14	026724-000	1	SPACER, WSHR
NI	026009-000	1	HOOD, GRILL, ASM 41 T (INCLUDES ITEMS 1 - 13)

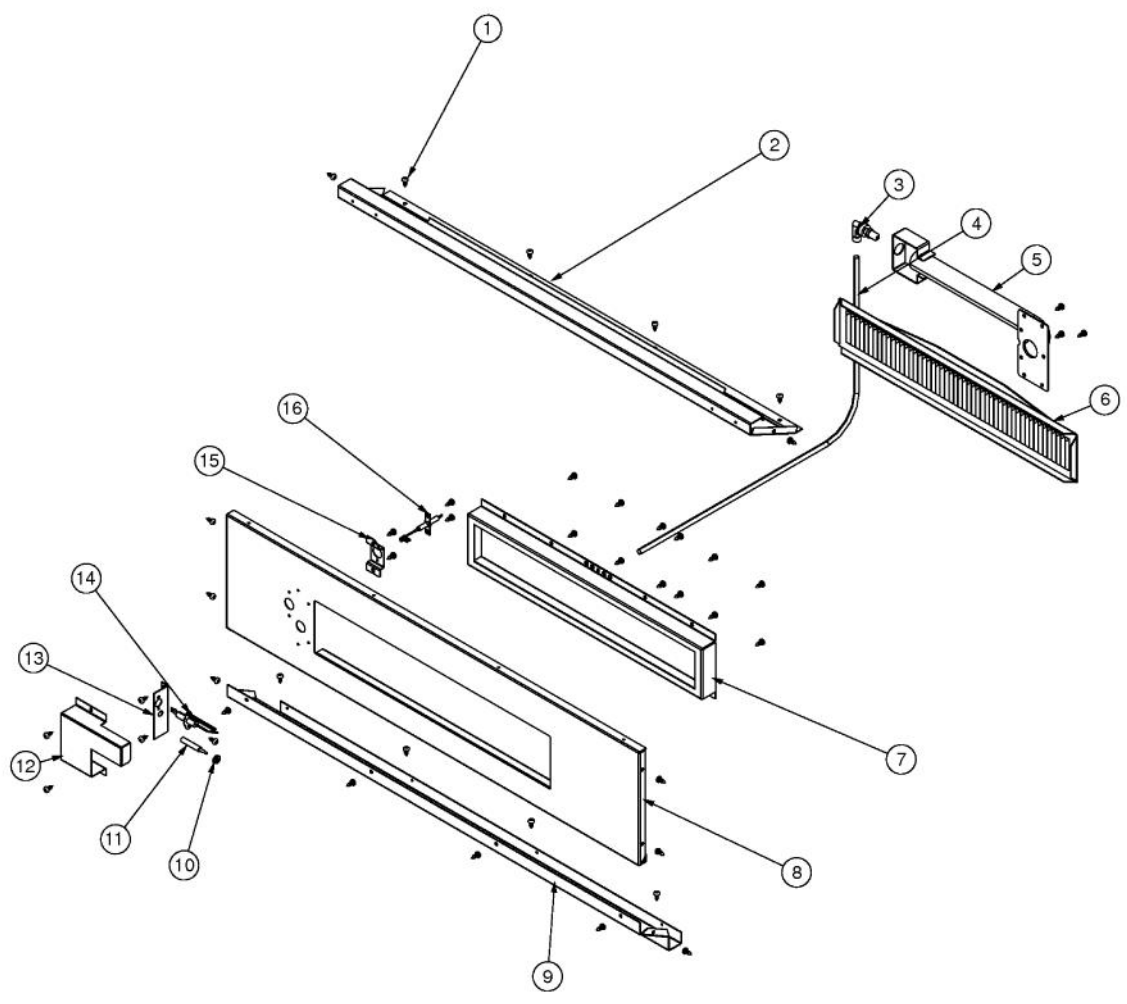


Ref #	Part Number	Qty.	Description
1	026010-000	1	PANEL, CTRL, VGIQ4103RT2
2	PD030050	4	10-24 CAGE NUT SS
3	PE050063	1	SPARKER SWITCH
4	002884-000	1	MANIFOLD PLUG
5	008773-000	1	VALVE, GAS ASM - NAT.
5	008772-000	1	VALVE, GAS ASM - LP
6	PB040263	1	5/16 FERRULE
7	PB040228	1	FITTING BRASS COMPRESSION NUT
8	PB010191	1	I.R. SAFETY VALVE (PHASE II GRILLS)
8	PB010220	1	I.R. SAFETY VALVE LP
9	025866-000	1	MANIFOLD, GAS, IQ4103
10	020051-000	2	SCR, DR, PHLP,PNH, 410SS, NPLT, 10-16 X 1/2
11	023650-000	1	NIPPLE, ASM
12	PB040046	2	1/2 CLOSE NIPPLE (VGSO166)
13	PA070006	1	PRESSURE REGULATOR - NATURAL
14	023652-000	1	COUPLER, ASM
15	PB020239	1	7/8 FLARE TO 1/2 FEMALE CONNECTOR
16	014952-000	2	VALVE, GAS, ASM, U BNR
16	014953-000	2	VALVE, GAS, ASM, U BNR - LP
17	PD010012	5	VALVE BOLT 1/4-20 UNC-2B 5/16 M.S.
18	G3005222	1	LANDING LEDGE ASSY-41 (PHASE 2)
19	PD020056	4	NO.10-24 X 1/2 PH.TR. M.S. SS
20	PD030006	2	CAPPED WASHER PAL NUT
21	PB010304	4	KNOB BEZEL
22	003561-000	2	OUTDOOR GRILL KNOB
23	015009-000	1	OUTDOOR LOGO - 3 CHROME
24	020041-000	4	SCR, DR, PH, PNH, 410 SS, NPLT, 6-20 X 3/8
25	PB010163	1	OVEN LIGHT SWITCH KNOB BK
26	003563-000	1	ROTIS BURNER KNOB
27	003562-000	1	OUTDOOR IR GRILL KNOB
NI	026006-000	1	MANIFOLD ASM, VGIQ4103RT2 (INCLUDES ITEMS 4, 5, 8, 9, 11, 16, & 17)
NI	026006-000	1	MANIFOLD ASM, VGIQ4103RT2 (INCLUDES ITEMS 4, 5, 8, 9, 11, 16, & 17)
NI	026011-000	1	PANEL CTRL, ASM, VGIQ4103RT2 ( INCLUDES ITEMS 1, 3, 20, 21, 23, 24, & 25)
NI	G3004936	1	REGULATOR ASSY - NAT (P1 GRILL) (INCLUDES ITEMS 12, 13, 14, & 15)
NI	G3004937	1	REGULATOR ASSY - L.P. W/HOSE (INCLUDES ITEMS 12, 13, 14, & 15)

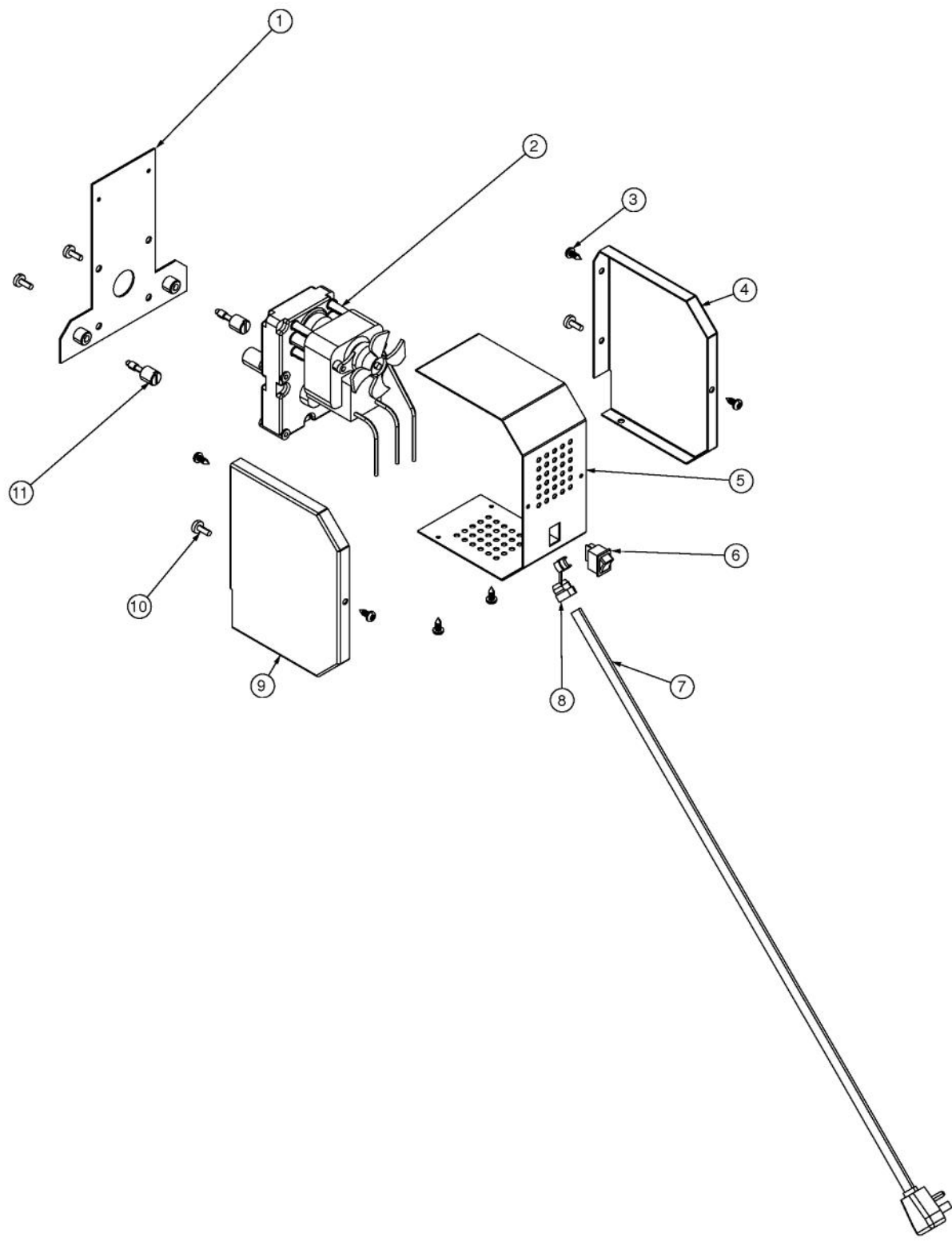




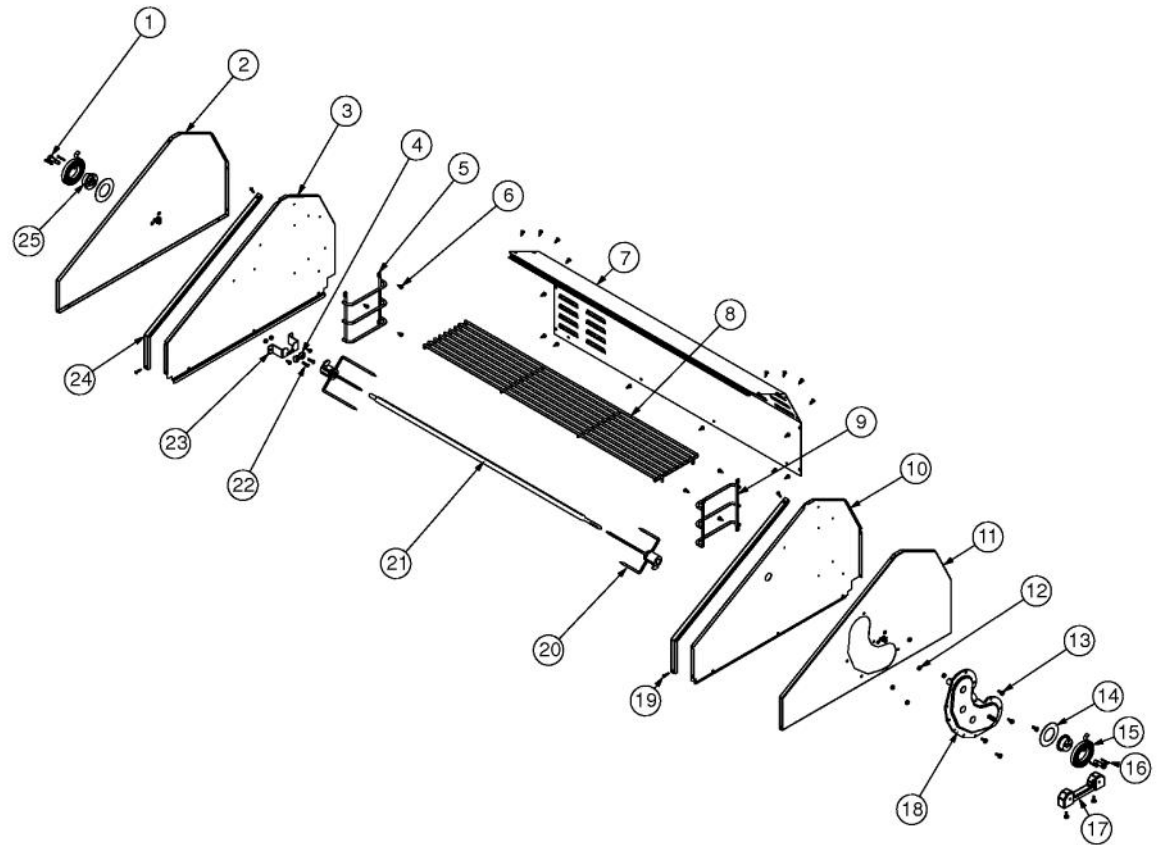
Ref #	Part Number	Qty.	Description
1	J2101749	1	GREASE PAN
2	PD030044	7	10-24 KEPS NUT SS
3	B2005310	1	DRIP TRAY 41 (VGBQ4103RT)
4	PC020025	4	DRIP TRAY WHEEL
5	G3005215	1	DRIP TRAY SLIDE - RH
6	B2005316	1	DRIP TRAY RUNNER RH
7	020051-000	12	SCR, DR, PHLP,PNH, 410SS, NPLT, 10-16 X 1/2
8	PD020082	4	10 X 24 COUNTERSUNK S.S. SCREW
9	PD020056	3	NO.10-24 X 1/2 PH.TR. M.S. SS
10	B3005314	1	41 DRIP TRAY HANDLE (PHASE 2)
11	PD040004	2	GROMMET BUMPER
12	B2005317	1	DRIP TRAY RUNNER LH (PHASE 2)
13	G3005214	1	DRIP TRAY SLIDE - LH
NI	G3205306	1	41`` DRIP TRAY ASSY (PHASE 2) ( INCLUDES ITEMS 2, 3, 4, 6, & 12)



Ref #	Part Number	Qty.	Description
1	020051-000	44	SCR, DR, PHLP,PNH, 410SS, NPLT, 10-16 X 1/2
2	G9105395	1	41`` FRONT HOUSING TOP WELD ASSY
3	PB040124	1	90 DEG. ORIFICE FITTING
4	PB020096	1	48 5/16 S.S. FLEX TUBING REPL F2003505
5	PB050060	1	I/R VENTURI (PHASE 2 BBQ)
6	G3005289	1	BURNER,ASM,,ASM,IR,20
7	B2005347	1	INFRARED FRAME
8	G91015545	1	41 FRONT HOUSING WELD ASSY
9	E91014431	1	FRONT HOUSING BOTTOM 41
10	PD030048	1	THERMCOUPLE NUT M08-VGBQ-8743300007
11	PB010210	1	FULL THERMOCOUPLE
12	B20015402	1	I/R IGNITOR COVER LH
13	B20015403	1	IR IGNITOR BRACKET
14	PB040160	1	WOK IGNITER
15	B20015401	1	FLEXIBLE IGNITOR STANDOFF
16	PB040280	1	FLEXIBLE ROTISSERIE IGNITOR



Ref #	Part Number	Qty.	Description
1	002081-000	1	ROT MOTOR MOUNTING PLATE ASSY
2	PE070184	1	ROTISSERIE MOTOR
3	020051-000	6	SCR, DR, PHLP,PNH, 410SS, NPLT, 10-16 X 1/2
4	B2005285	1	PHASE II ROTIS BOX FRONT
5	B2005286	1	PHASE II ROTIS COVER
6	PE050051	1	ROTISSERIE SWITCH
7	PE070189	1	ELECTRICAL SUPPLY CORD - BBQ GRILL
8	PD040044	1	SNAP THRU BUSHING 1/4DIA CORD
9	B2005284	1	PHASE II ROTIS BOX FRONT
10	PD020056	4	NO.10-24 X 1/2 PH.TR. M.S. SS
11	PD010090	2	ROTISSERIE FASTENER KNOB



Ref #	Part Number	Qty.	Description
1	PD010043	2	5/16INCH SHOULDER BOLT (PHASE 2)
2	G5005257	1	OUTSIDE WINDSHIELD ASSY LH
3	B20015419	1	INSIDE WINDSHIELD LH
4	PC020025	2	DRIP TRAY WHEEL
5	PB060113	1	WARMING RACK SUPPORT LH
6	020051-000	24	SCR, DR, PHLP,PNH, 410SS, NPLT, 10-16 X 1/2
7	003653-000	1	41 GRILL REAR COVER
8	PB060056	1	WARMING RACK 41
9	PB060112	1	WARMING RACK SUPPORT RH
10	B20015418	1	INSIDE WINDSHIELD RH
11	G5005256	1	OUTSIDE WINDSHIELD ASSY RH
12	PD030044	7	10-24 KEPS NUT SS
13	PD020056	7	NO.10-24 X 1/2 PH.TR. M.S. SS
14	007818-000	2	RETAINER, CANOPY SPRING
15	007206-000	2	CANOPY, SPRING, ASSIST- LIGHT
16	006779-000	4	NO.6-32 X 1.0 SS FLAT HD SCREW
17	PB060055	1	ROTISSERIE MOUNT CASTING
18	PC070024	1	ROTIS. GEAR BOX ASSY
19	020037-000	4	SCR, DR, FCSKHP, 410 SS, NPLT, 8-18 X 3/4
20	PB060058	2	SPIT FORK
21	PB060053	1	ROTIS SPIT ROD 41
22	PD020082	2	10 X 24 COUNTERSUNK S.S. SCREW
23	B2005278	1	ROTISSERIE ROLLER BRACKET (PHASE 2)
24	B20015574	1	GRILL WINDSHIELD TRIM
25	005942-000	2	SPRING INDEX



*No Image  
Available*

Ref #	Part Number	Qty.	Description
NI	G4006384	3	WIRE ASSY (VGBQ-T SERIES) 7 NOT FIELD REPLACEABLE

*No Image  
Available*

Ref #	Part Number	Qty.	Description
NI	G4006378	1	WIRE ASSY (VGBQ-T SERIES) 25

*No Image  
Available*

Ref #	Part Number	Qty.	Description
NI	G4006376	2	WIRE ASSY (VGBQ-T SERIES) 10

*No Image  
Available*

Ref #	Part Number	Qty.	Description
NI	G4006379	2	WIRE ASSY (VGBQ-T SERIES) 25



*No Image  
Available*

Ref #	Part Number	Qty.	Description
NI	G4006380	2	WIRE ASSY (VGBQ-T SERIES) 15

*No Image  
Available*

Ref #	Part Number	Qty.	Description
NI	025322-000	1	HARNESS, WIRE, ROTISSERIE

*No Image  
Available*

Ref #	Part Number	Qty.	Description
NI	G40016227	2	IGNITOR WIRE 18

*No Image  
Available*

Ref #	Part Number	Qty.	Description
NI	G50013595	1	LP CONNECTION SERVICE KIT