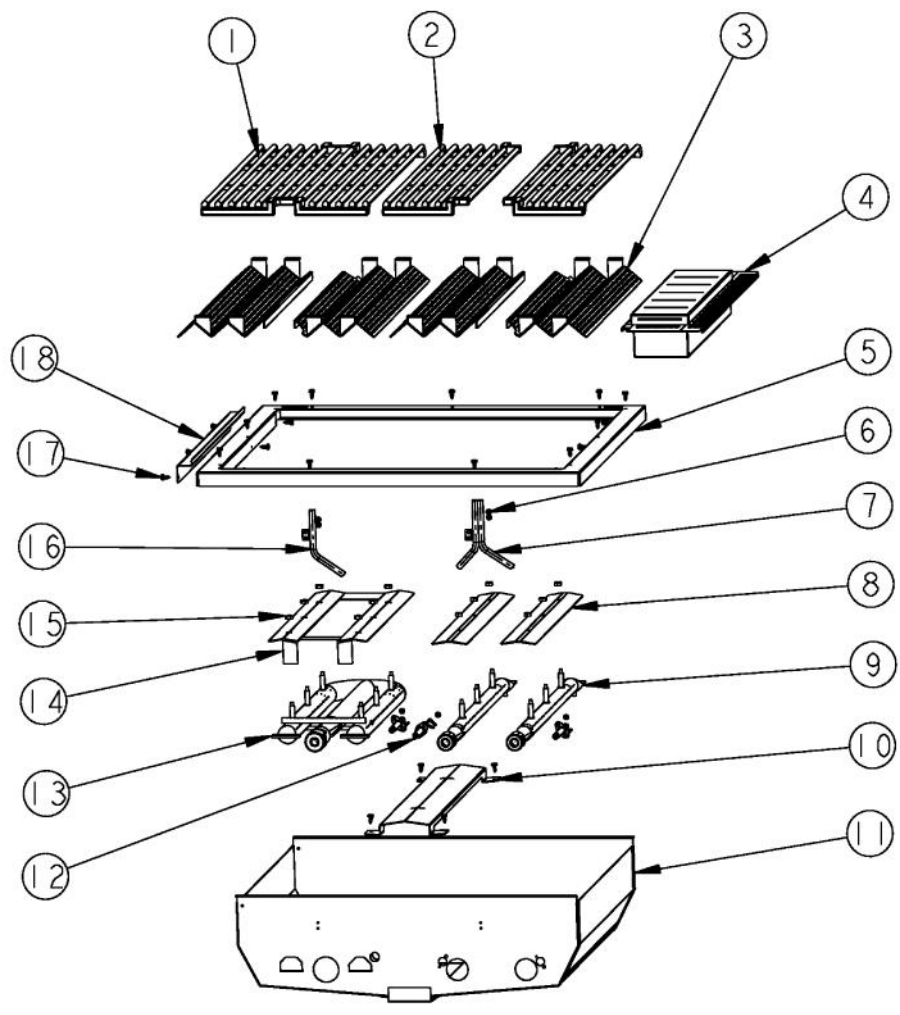
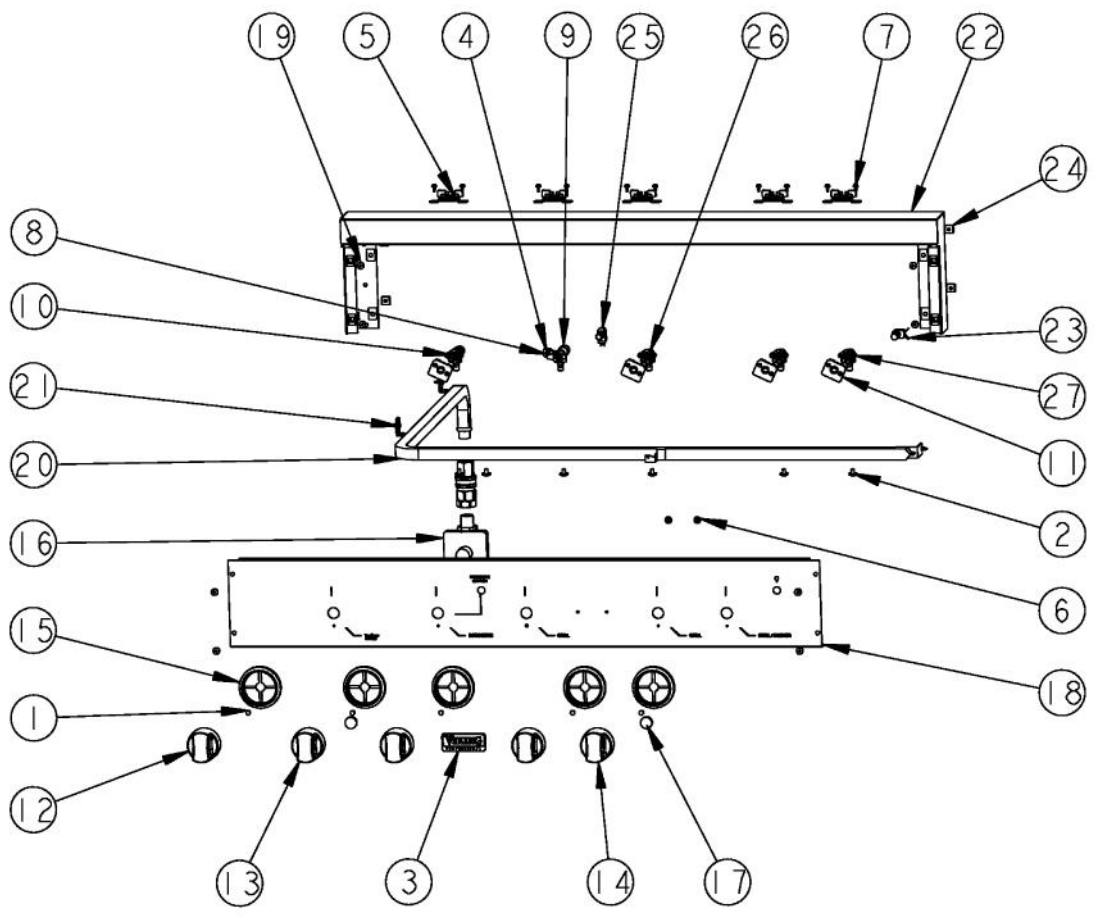


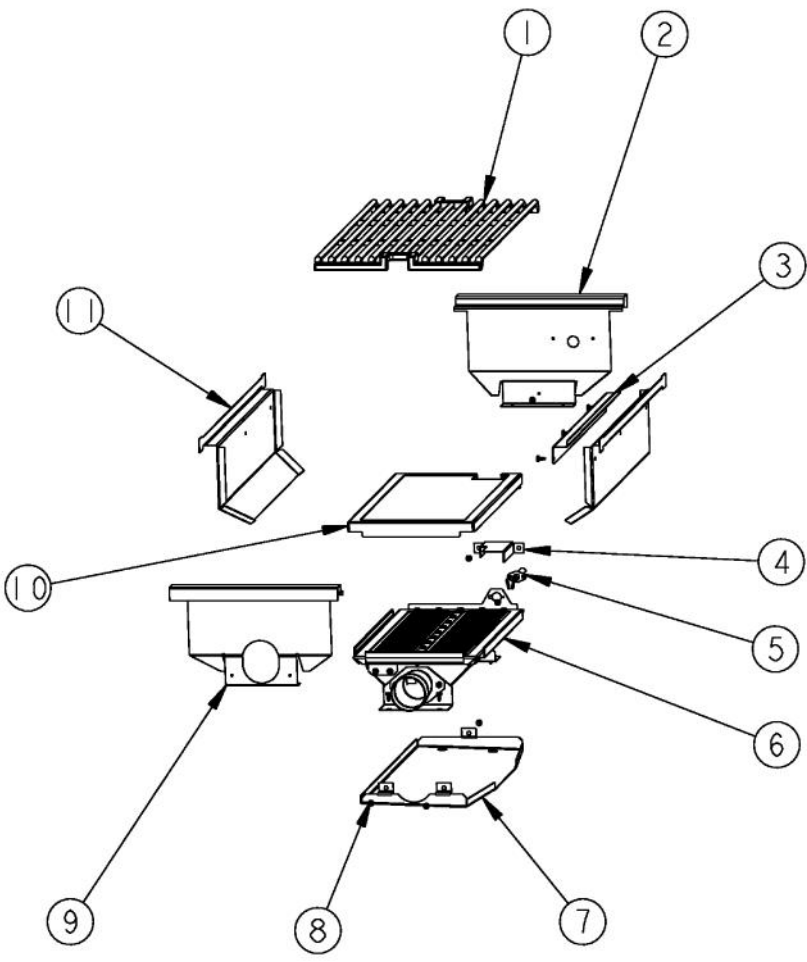
Ref #	Part Number	Qty.	Description
1	004092-000	1	4122 GRILL REAR TRIM
2	B20015512	1	GRILL BOX BACK 41
3	B2006305	2	HEAT SHIELD BRACKET
4	002353-000	1	GRILL PLUG VENT
5	002671-000	2	RUBBER DOOR BUMPER
6	L1004881	1	REAR HEAT SHIELD 41 (PHASE 2)
7	PD040005	1	SNAP BUSHING - 7/8
8	B2005203	1	GRILL BOX SIDE RH (PHASE 2)
9	L1005398	2	SIDE HEAT SHIELD
10	000394-000	1	NO.8 SS TECH SCREW - COUNTERSINK
11	PD030050	4	10-24 CAGE NUT SS
12	002355-000	2	GRILL RECEPTACLE BOX
13	004089-000	1	POWER CORD SHIELD
14	B30015553	1	0+6 SPARK MODULE TERMINAL HOUSING
15	B20015566	1	0+6 SM/TB HOUSING BOTTOM
16	PE070855	1	E SERIES TERMINAL BLOCK
17	PA020048	1	INVENSYS 0+6 RE-IGNITION SPARK MODULE
18	PD040044	2	SNAP THRU BUSHING 1/4DIA CORD
19	G3005215	1	DRIP TRAY SLIDE - RH
20	B20015509	1	GRILL BOX BOTTOM 41
21	A20015411	1	GRILL WIRE CHANNEL - 41 REAR
22	009290-000	1	SUPPORT, GRL, FR, 412
23	PD020082	2	10 X 24 COUNTERSUNK S.S. SCREW
24	PC020025	2	DRIP TRAY WHEEL
25	G3005214	1	DRIP TRAY SLIDE - LH
26	PD030044	1	10-24 KEPS NUT SS
27	A20015412	1	GRILL WIRE CHANNEL - 42 SHORT
28	PD020055	69	NO.10 X 1/2 PAN PHIL. TEK. SS
29	PD040021	1	1/2 BUSHING (VGRC)
30	B2005204	1	PANEL, GRL, LH
31	PD020056	6	NO.10-24 X 1/2 PH.TR. M.S. SS
32	006021-000	1	SCE, PWR, LED, 12VAC
33	007657-000	1	PROT. COVER
34	002354-000	1	GRILL PLUG PLATE
NI	013005-000	1	GRILL POWER SUPPLY CORD



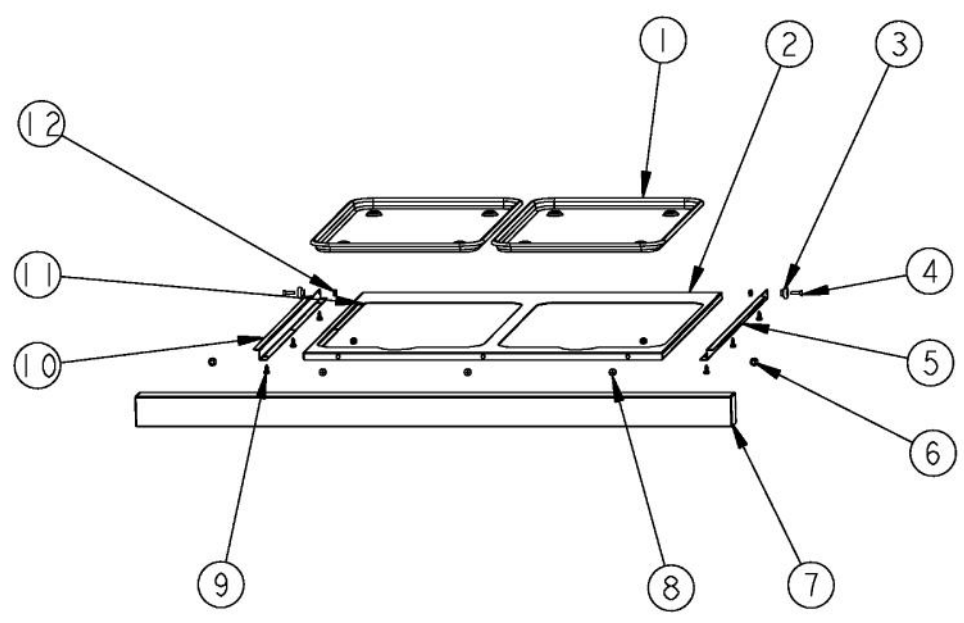
Ref #	Part Number	Qty.	Description
1	002369-000	1	REDESIGN BBQ GRATE - FULL
2	002370-000	2	REDESIGN BBQ GRATE - HALF
3	PK010061	4	HALF FLAVOR GRID PHASE 2
4	G3005350	1	SMOKER BOX ASSY (VGBQ3002RT)
5	B20015516	1	GRILL FRAME 30
6	008026-000	7	NO.6-20 HEX WASHER SS SCREW
7	PB020115	1	SMOKER FLASH TUBE
8	006757-000	2	SMOKER DRIP SHIELD
9	PA080051	2	SMOKER/GRILL BURNER
10	B2005246	1	BURNER BOX SHIELD (PHASE 2)
11	008409-000	1	BURNER BOX, ASM, RH
12	PB040288	3	SMOKER BURNER IGNITER
13	004276-000	1	OUTDOOR GRILL U-BURNER
14	007676-000	1	DRIP SHIELD, U
15	PD030060	12	NO.10-32 KEPS NUT SS
16	PB020114	1	FLASH TUBE (VGBQ3002T)
17	PD020055	24	NO.10 X 1/2 PAN PHIL. TEK. SS
18	013420-000	1	BURNER BOX BRACKET



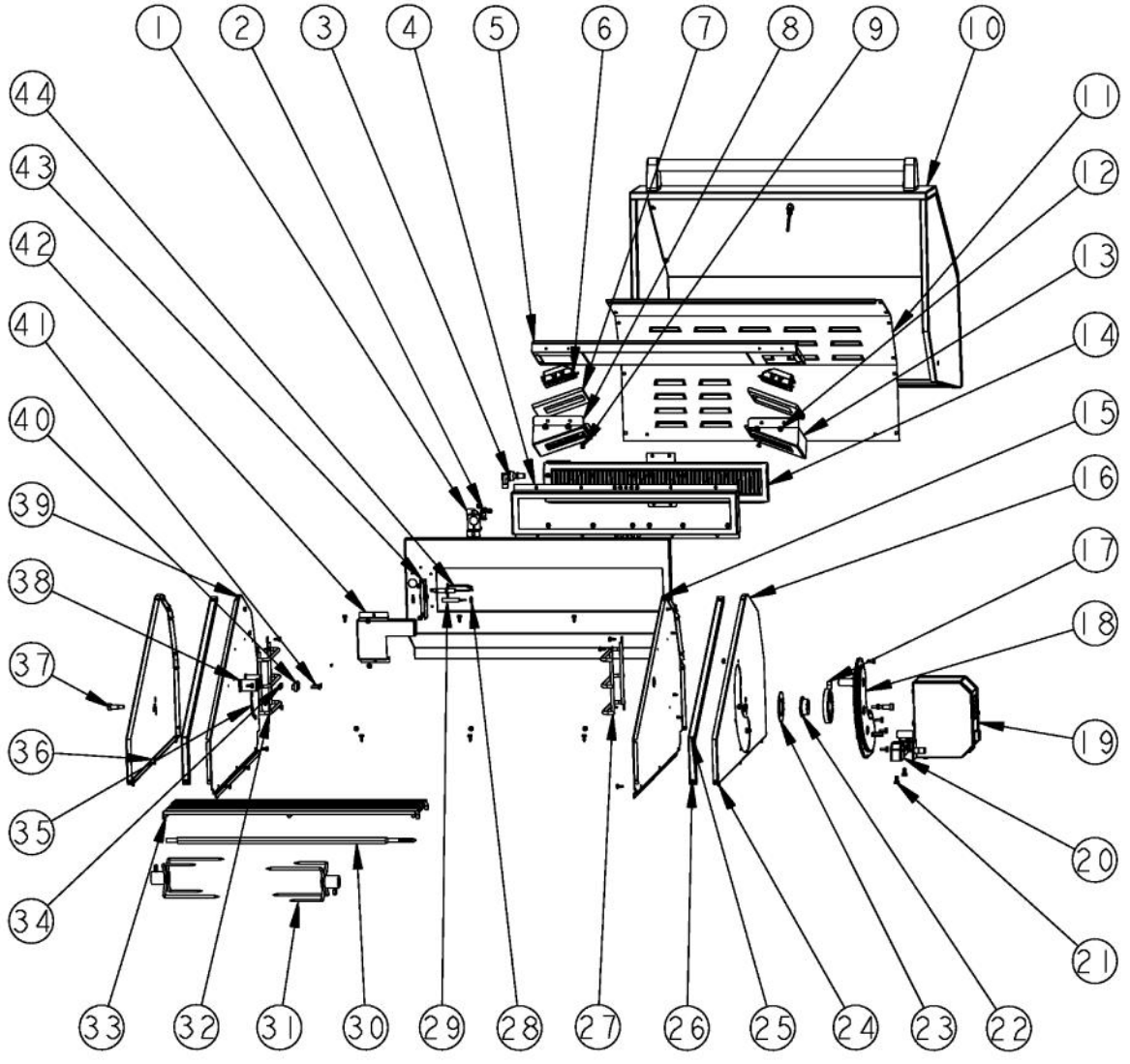
Ref #	Part Number	Qty.	Description
1	PD020067	5	NO.6 X 3/8 PAN PHIL. TEK SS
2	PD010012	6	VALVE BOLT 1/4-20 UNC-2B 5/16 M.S.
3	PE010142	1	3 LOGO XBKXXCHROME
4	PB040263	1	5/16 FERRULE
5	005999-000	5	LED BOARD ASSEMBLY
6	PD030006	2	CAPPED WASHER PAL NUT
7	008026-000	10	NO.6-20 HEX WASHER SS SCREW
8	PB040228	1	FITTING BRASS COMPRESSION NUT
9	PB010191	1	I.R. SAFETY VALVE (PHASE II GRILLS)
10	PA010187	1	I/R VALVE - NAT. (MUELLER)
11	PA020045	4	IGNITOR SWITCH
12	003562-000	1	OUTDOOR IR GRILL KNOB
13	003563-000	1	ROTIS BURNER KNOB
14	003561-000	3	OUTDOOR GRILL KNOB
15	PB010304	5	KNOB BEZEL
16	G3004936	1	REGULATOR ASSY - NAT (P1 GRILL)
17	PB010163	2	OVEN LIGHT SWITCH KNOB BK
18	012868-000	1	VGIQ4112RE1 CONTROL PANEL
19	PD020056	8	NO.10-24 X 1/2 PH.TR. M.S. SS
20	PA050093	1	41 IR GRILL MANIFOLD
21	PD020055	3	NO.10 X 1/2 PAN PHIL. TEK. SS
22	PK010064	1	LANDING LEDGE (VGBQ41) T SERIES
23	PE050019	1	OVEN LIGHT SWITCH (VGSO166) 90-DEG.
24	PD030050	8	10-24 CAGE NUT SS
25	PE050063	1	SPARKER SWITCH
26	006388-000	1	GAS VALVE - NAT.
26	006389-000	1	GAS VALVE - LP
27	006390-000	2	GAS VALVE - NAT.
27	006391-000	2	GAS VALVE - LP



Ref #	Part Number	Qty.	Description
1	002369-000	1	REDESIGN BBQ GRATE - FULL
2	013415-000	1	BURNER BOX REAR
3	013420-000	1	BURNER BOX BRACKET
4	B2008939	1	IR SPARK IGNITOR COVER
5	PB040287	1	GRILL BURNER IGNITER
6	013430-000	1	IR BURNER ASM
7	013418-000	1	GREASE DIVERTER
8	PD020055	13	NO.10 X 1/2 PAN PHIL. TEK. SS
9	013413-000	1	BURNER BOX FRONT
10	013447-000	1	SCREEN ASM
11	013414-000	2	BURNER BOX SIDE
NI	013025-000	1	INFRARED BURNER COVER ASM



Ref #	Part Number	Qty.	Description
1	PB080061	2	GREASE PAN
2	G3205307	1	41`` DRIP TRAY ASSY W/SIDE BURNER
3	PC020025	2	DRIP TRAY WHEEL
4	PD020082	2	10 X 24 COUNTERSUNK S.S. SCREW
5	B2005316	1	DRIP TRAY RUNNER RH
6	PD040004	2	GROMMET BUMPER
7	PK010067	1	DRIP TRAY HANDLE (VGBQ41) T SERIES
8	PD020056	3	NO.10-24 X 1/2 PH.TR. M.S. SS
9	PD020055	6	NO.10 X 1/2 PAN PHIL. TEK. SS
10	B2005317	1	DRIP TRAY RUNNER LH (PHASE 2)
11	B2005311	1	DRIP TRAY 41 SIDE
12	PD030044	5	10-24 KEPS NUT SS



Ref #	Part Number	Qty.	Description
1	B20015401	1	FLEXIBLE IGNITOR STANDOFF
2	PB040280	1	FLEXIBLE ROTISSERIE IGNITOR
3	PB040124	1	90 DEG. ORIFICE FITTING
4	B2005347	1	INFRARED FRAME
5	E10015559	1	30 FRONT HOUSING TOP
6	001310-000	2	120V HALOGEN LIGHT
7	002356-000	2	GRILL LIGHT INSULATION (PRE-CUT)
8	000602-000	1	GRILL LIGHT HOUSING LH
9	PD020067	2	NO.6 X 3/8 PAN PHIL. TEK SS
10	003640-000	1	30 CANOPY ASSEMBLY
11	003652-000	1	30 GRILL REAR COVER
12	PD020073	4	SRW NO.10 X 24 X 3/8 WAFER HD TYPE23
13	000603-000	1	GRILL LIGHT HOUSING RH
14	G3005289	1	BURNER,ASM,,ASM,IR,20
15	B20015418	1	INSIDE WINDSHIELD RH
16	G5005256	1	OUTSIDE WINDSHIELD ASSY RH
17	007206-000	1	CANOPY, SPRING, ASSIST- LIGHT
18	PC070024	1	ROTIS. GEAR BOX ASSY
19	G3205282	1	ROTIS MOTOR ASSEMBLY (PHASE 2)
20	PB060055	1	ROTISSERIE MOUNT CASTING
21	PD020056	7	NO.10-24 X 1/2 PH.TR. M.S. SS
22	005942-000	2	SPRING INDEX
23	007818-000	1	RETAINER, CANOPY SPRING
24	PD020055	68	NO.10 X 1/2 PAN PHIL. TEK. SS
25	B20015574	2	GRILL WINDSHIELD TRIM
26	000394-000	4	NO.8 SS TECH SCREW - COUNTERSINK
27	PB060112	1	WARMING RACK SUPPORT RH
28	PD030048	2	THERMOCOUPLE NUT M08-VGBQ-8743300007
29	PB010162	1	THERMOCOUPLE - BBQ GRILL W/ ROTIS
30	PB060054	1	ROTIS SPIT ROD 30
31	PB060058	2	SPIT FORK
32	PB060113	1	WARMING RACK SUPPORT LH
33	PB060057	1	WARMING RACK 30
34	PD030044	7	10-24 KEPS NUT SS
35	G91015522	1	FRONT HOUSING ASSY (VGIQ3002RT)
36	G5005257	1	OUTSIDE WINDSHIELD ASSY LH
37	PD010043	2	5/16INCH SHOULDER BOLT (PHASE 2)
38	B2005278	1	ROTISSERIE ROLLER BRACKET (PHASE 2)
39	B20015419	1	INSIDE WINDSHIELD LH
40	PC020025	2	DRIP TRAY WHEEL
41	PD020082	2	10 X 24 COUNTERSUNK S.S. SCREW
42	B20015402	1	I/R IGNITOR COVER LH
43	B20015403	1	IR IGNITOR BRACKET
44	PB040160	1	WOK IGNITER