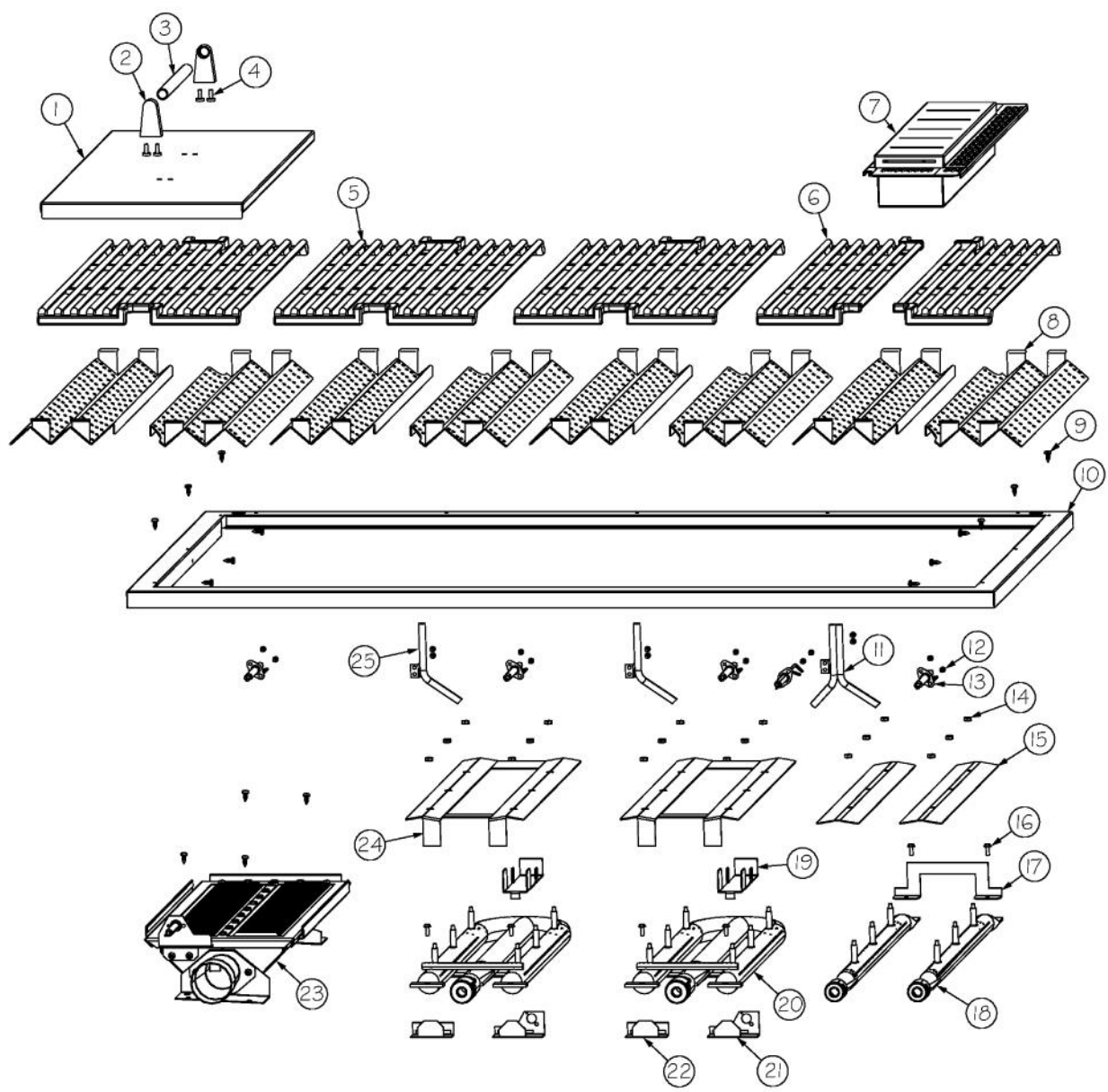
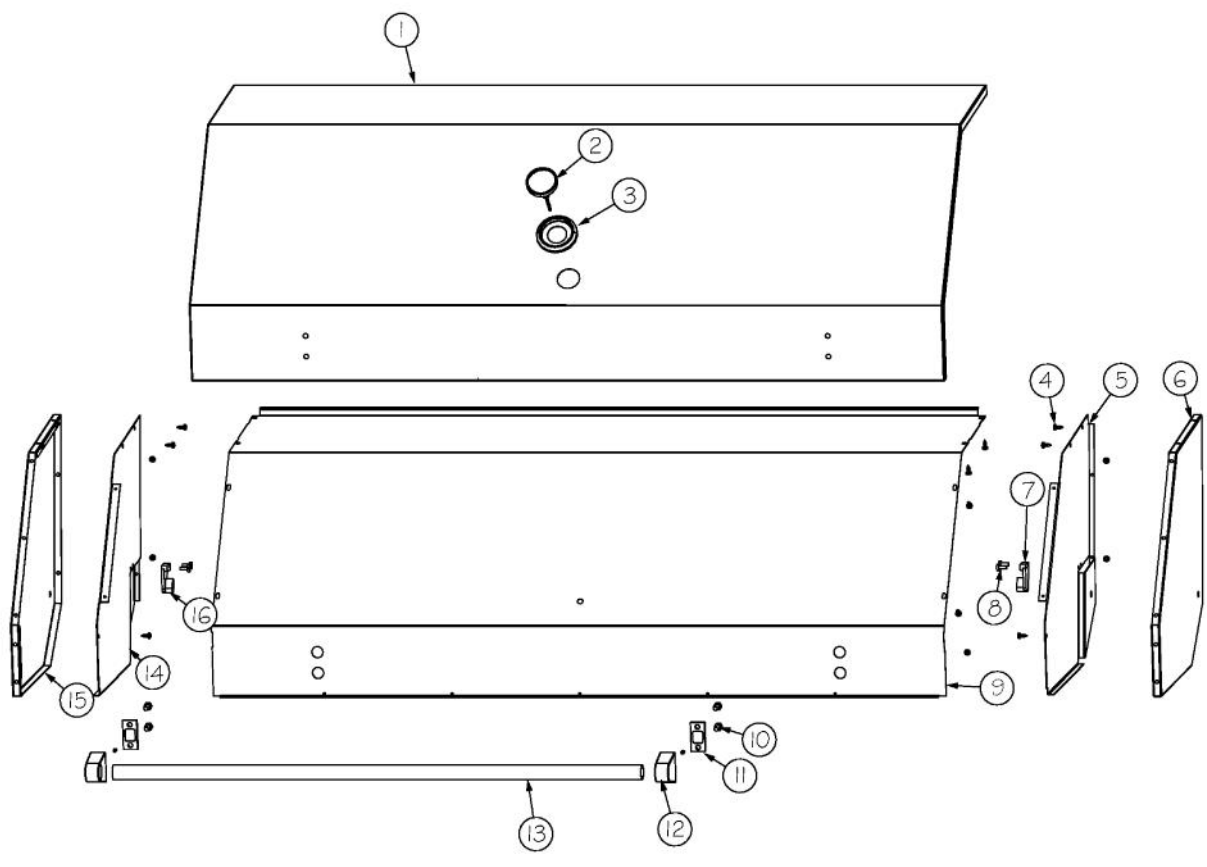


Ref #	Part Number	Qty.	Description
1	L1004882		REAR HEAT SHIELD - 53``
2	PD020055		NO.10 X 1/2 PAN PHIL. TEK. SS
3	002671-000		RUBBER DOOR BUMPER
4	004093-000		5323 GRILL REAR TRIM
5	002353-000		GRILL PLUG VENT
6	B2006305		HEAT SHIELD BRACKET
7	B20015511		GRILL BOX BACK 53
8	002355-000		GRILL RECEPTACLE BOX
9	A20015410		GRILL WIRE CHANNEL - 53 REAR
10	L1005398		SIDE HEAT SHIELD
11	B2005203		GRILL BOX SIDE RH (PHASE 2)
12	008409-000		BURNER BOX, ASM, RH
13	B30015552		0+4 SPARK MODULE TERMINAL HOUSING
14	PA020047		INVENSYS 0+4 RE-IGNITION SPARK MODULE
15	B20015508		GRILL BOX BOTTOM 53
16	PD020014		10X3/4 PH TR HD SMS
17	PE070855		E SERIES TERMINAL BLOCK
18	004089-000		POWER CORD SHIELD
19	PE070791		GRILL POWER SUPPLY CORD (8 FT)
20	PD040044		SNAP THRU BUSHING 1/4DIA CORD
21	008506-000		GRILL, SUPPORT, FRONT
22	008405-000		BURNER BOX, ASM, LH
23	B2005204		PANEL, GRL, LH
24	A20015412		GRILL WIRE CHANNEL - 42 SHORT
25	B20011414		BURNER BOX DIVIDER (VGIQ300T)
26	B2005244		BURNER BOX CENTER TRIM
27	B2005246		BURNER BOX SHIELD (PHASE 2)
28	002353-000		GRILL PLUG VENT
29	002354-000		GRILL PLUG PLATE

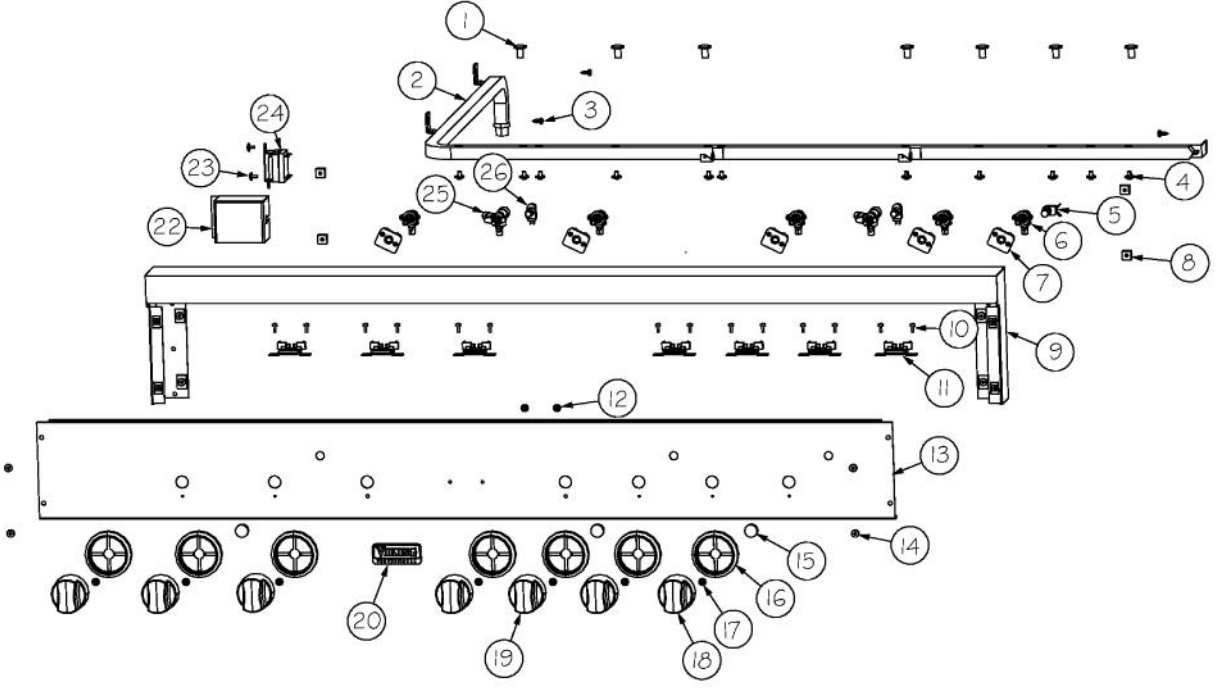


Ref #	Part Number	Qty.	Description
1	B20015413		VGIQ IR COVER
2	PE030187		ENDCAP, TUBE
3	PE030197		VGIQ30 COVER HANDLE
4	PD020056		NO.10-24 X 1/2 PH.TR. M.S. SS
5	002369-000		REDESIGN BBQ GRATE - FULL
6	002370-000		REDESIGN BBQ GRATE - HALF
7	G3005350		SMOKER BOX ASSY (VGBQ3002RT)
8	PK010061		HALF FLAVOR GRID PHASE 2
9	PD020055		NO.10 X 1/2 PAN PHIL. TEK. SS
10	B2005229		GRILL FRAME 53
11	PB020115		SMOKER FLASH TUBE
12	PD020067		NO.6 X 3/8 PAN PHIL. TEK SS
13	PB040288		SMOKER BURNER IGNITER
	PB040288		SMOKER BURNER IGNITER
14	PD030060		NO.10-32 KEPS NUT SS
15	006757-000		SMOKER DRIP SHIELD
16	PD020048		NO.10 X 1/2 TEK 410 SS SCREW
17	B2005248		FRONT BURNER BRACKET (PHASE 2)
18	PA080051		SMOKER/GRILL BURNER
19	006010-000		GRILL BURNER REAR BRACKET
20	004276-000		OUTDOOR GRILL U-BURNER
21	008181-000		BRCKT, IGNITOR, MT.
22	006011-000		GRILL BURNER FRONT BRACKET
23	G3208933		IR BURNER ASSY
24	007676-000		DRIP SHIELD, U
25	PB020114		FLASH TUBE (VGBQ3002T)

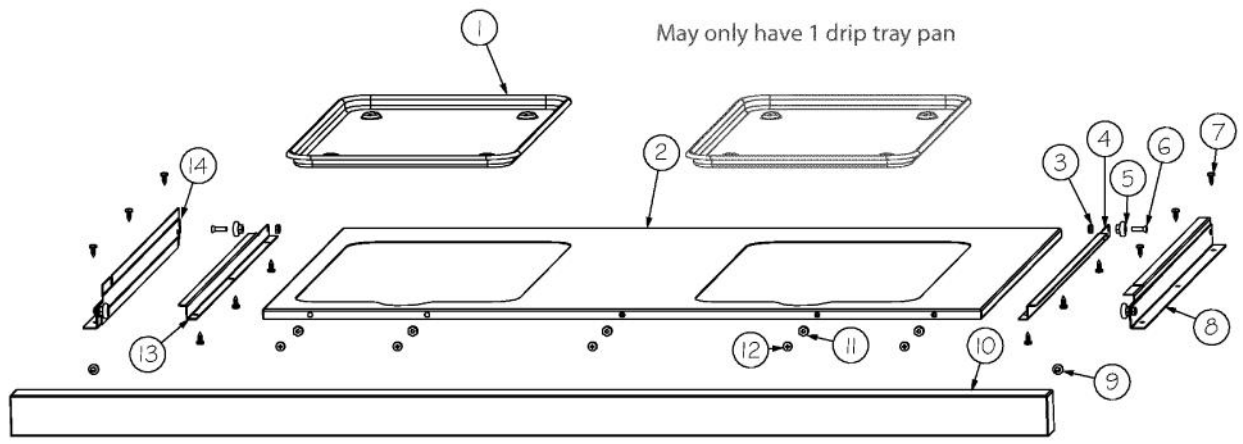
parts #1, 9 will change



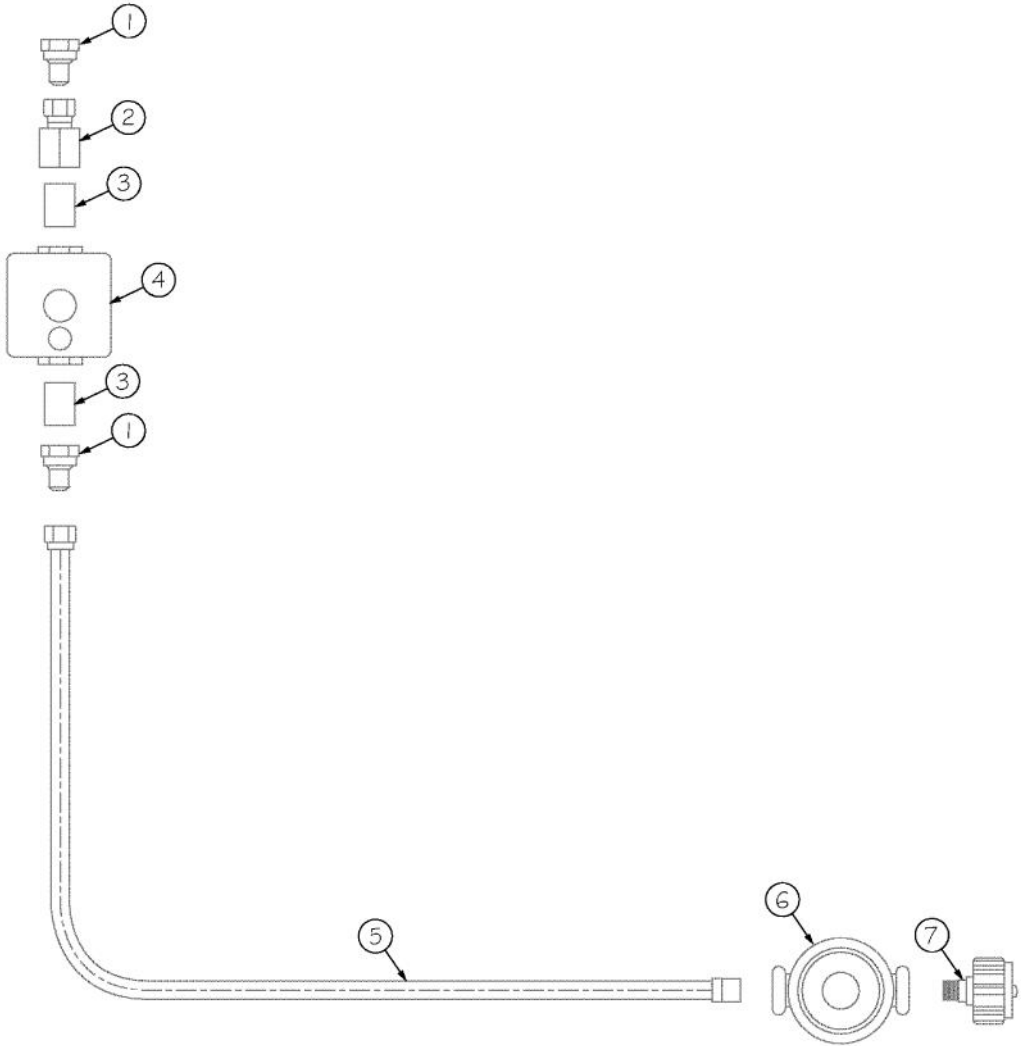
Ref #	Part Number	Qty.	Description
1	003638-000		53 CANOPY
2	PB010337		GRILL THERMOMETER
3	003366-000		THERMOSTAT BEZEL
4	PD020055		NO.10 X 1/2 PAN PHIL. TEK. SS
5	007379-000		GRILL CANOPY INSIDE RH
6	003630-000		GRILL CANOPY OUTSIDE RH
7	007215-000		CANOPY SPRING END MOUNT-RH
8	PD020056		NO.10-24 X 1/2 PH.TR. M.S. SS
9	003639-000		53 CANOPY HEAT SHIELD
10	PD020069		CAP SCREW 1/4-20 X 3/4 SS
11	PD040010		DOOR HANDLE SPACER
12	000268-000		HANDLE END CAP ASSY
13	PE030040		DOOR/CNPY HNDLE - RPLCS PE930090
14	003633-000		GRILL CANOPY INSIDE LH
15	003632-000		GRILL CANOPY OUTSIDE LH
16	005941-000		CANOPY SPRING END MOUNT-LH



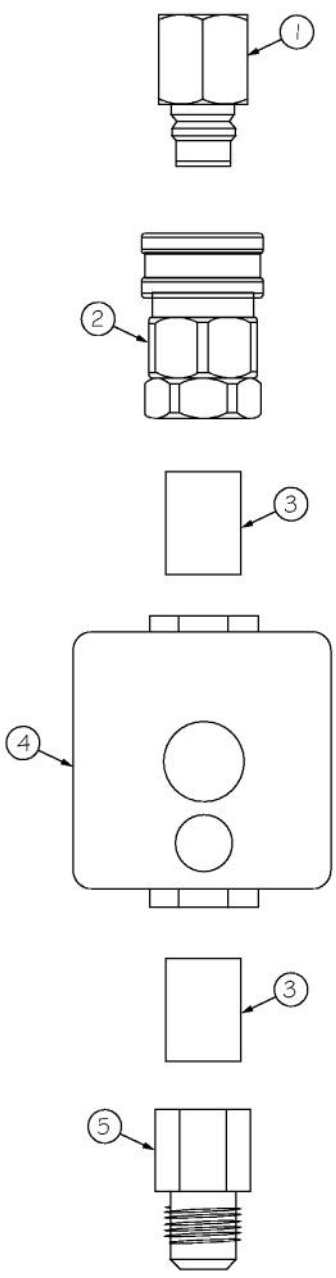
Ref #	Part Number	Qty.	Description
1	002884-000		MANIFOLD PLUG
2	PA050068		PHASE2 53 MANIFOLD
3	PD020055		NO.10 X 1/2 PAN PHIL. TEK. SS
4	PD010012		VALVE BOLT 1/4-20 UNC-2B 5/16 M.S.
5	PE050019		OVEN LIGHT SWITCH (VGSO166) 90-DEG.
6	006390-000		GAS VALVE - NAT.
7	PA020045		IGNITOR SWITCH
8	PD030050		10-24 CAGE NUT SS
9	PK010065		LANDING LEDGE (VGBQ53) T SERIES
10	PD020067		NO.6 X 3/8 PAN PHIL. TEK SS
11	005999-000		LED BOARD ASSEMBLY
12	PD030006		CAPPED WASHER PAL NUT
13	006066-000		VGIQ5304RE1 CONTROL PANEL
14	PD020056		NO.10-24 X 1/2 PH.TR. M.S. SS
15	PB010163		OVEN LIGHT SWITCH KNOB BK
16	PB010304		KNOB BEZEL
17	PD020067		NO.6 X 3/8 PAN PHIL. TEK SS
18	003561-000		OUTDOOR GRILL KNOB
19	003562-000		OUTDOOR IR GRILL KNOB
	003563-000		ROTIS BURNER KNOB
20	PE010142		3 LOGO XBKXXCHROME
22	007657-000		PROT. COVER
23	PD020073		SRW NO.10 X 24 X 3/8 WAFER HD TYPE23
24	006021-000		SCE, PWR, LED, 12VAC
25	PB010191		I.R. SAFETY VALVE (PHASE II GRILLS)
26	PE050063		SPARKER SWITCH



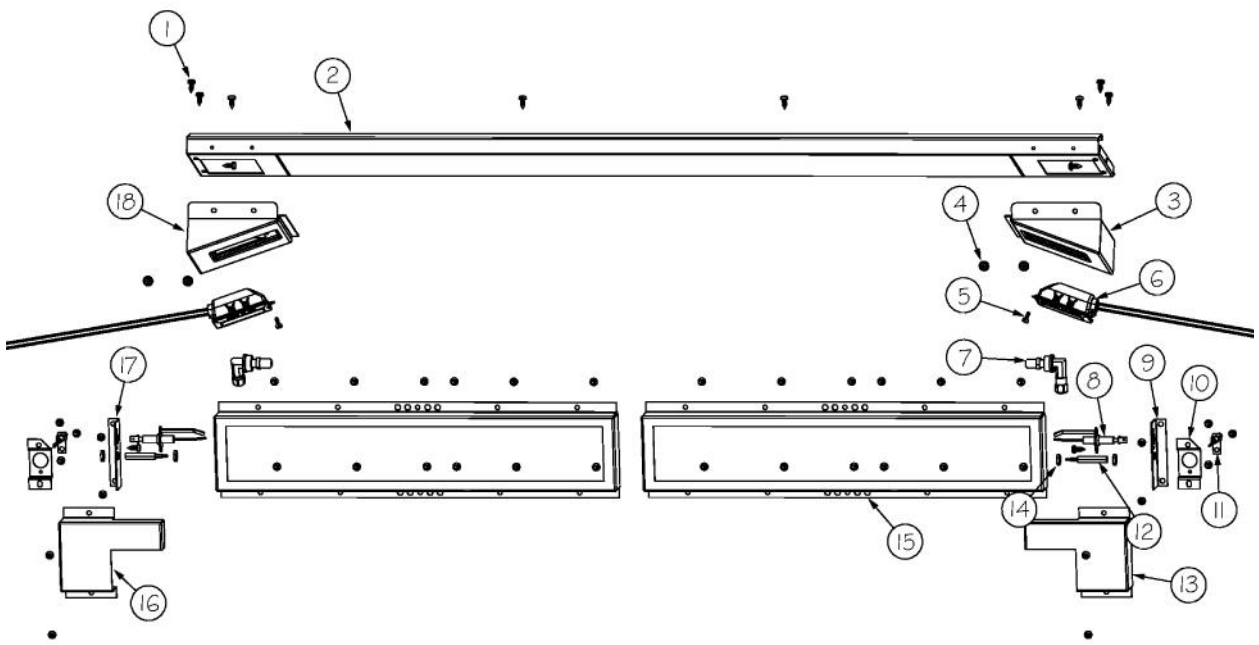
Ref #	Part Number	Qty.	Description
1	PB080061		GREASE PAN
2	B2005309		DRIP TRAY 41
3	PD030044		10-24 KEPS NUT SS
4	B2005316		DRIP TRAY RUNNER RH
5	PC020025		DRIP TRAY WHEEL
6	PD020082		10 X 24 COUNTERSUNK S.S. SCREW
7	PD020055		NO.10 X 1/2 PAN PHIL. TEK. SS
8	G3005214		DRIP TRAY SLIDE - LH
9	PD04004		SNAP THRU BUSHING 1/4DIA CORD
10	B3005313		53 DRIP TRAY HANDLE
11	PD030044		10-24 KEPS NUT SS
12	PD020056		NO.10-24 X 1/2 PH.TR. M.S. SS
13	B2005317		DRIP TRAY RUNNER LH (PHASE 2)
14	G3005214		DRIP TRAY SLIDE - LH



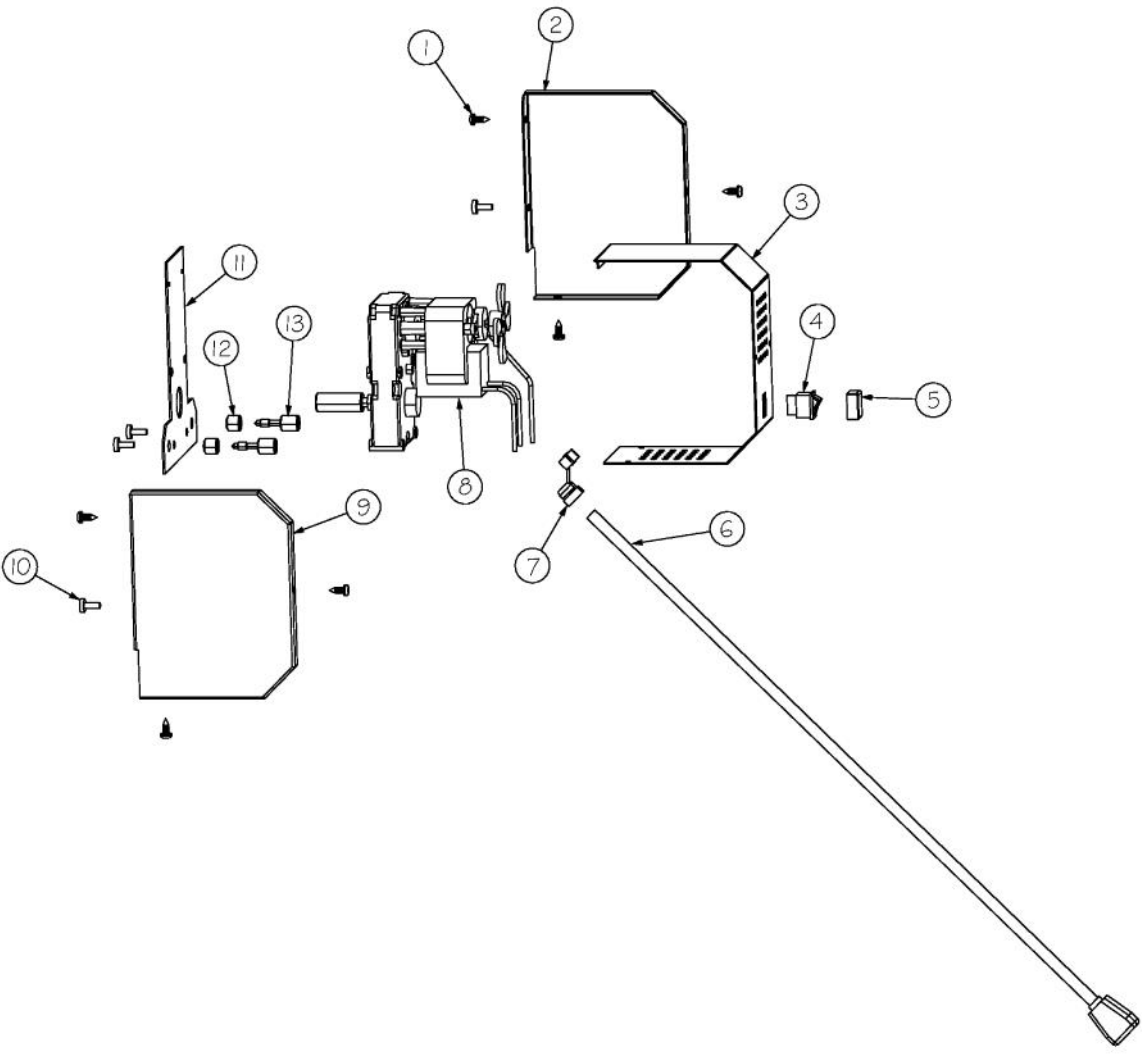
Ref #	Part Number	Qty.	Description
1	PB040146		1/2 X 3/8 FLARE ADAPTER (VGBQ)
2	PB040235		1/2NPT TO 3/8 FLARE COUPLING
3	PB040046		1/2 CLOSE NIPPLE (VGSO166)
4	PA070005		PRESSURE REG.(LP) RV47L-77-10.0
5	PB020227		HIGH PRESSURE LP HOSE
6	PA070007		LP TANK REGULATOR (VGBQ)
7	PA010138		CYLINDER CONNECTION



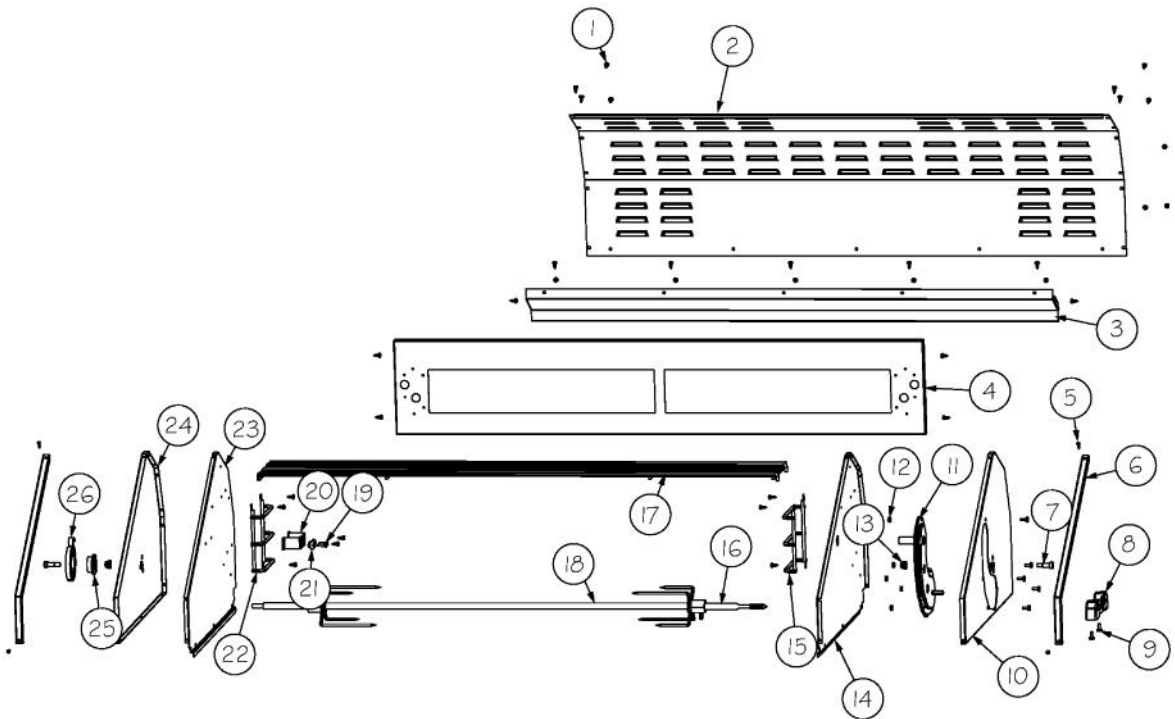
Ref #	Part Number	Qty.	Description
1	PB040167		MALE COUPLER (PHASE 1 GRILL)
2	PB040166		FEMALE COUPLER (PHASE 1 GRILL)
3	PB040046		1/2 CLOSE NIPPLE (VGSO166)
4	PA070006		PRESSURE REGULATOR - NATURAL
5	PB020239		7/8 FLARE TO 1/2 FEMALE CONNECTOR



Ref #	Part Number	Qty.	Description
1	PD020055		NO.10 X 1/2 PAN PHIL. TEK. SS
2	G91015561		53 FRONT HOUSING WELD ASSEMBLY
3	000603-000		GRILL LIGHT HOUSING RH
4	PD020073		SRW NO.10 X 24 X 3/8 WAFER HD TYPE23
5	PD020067		NO.6 X 3/8 PAN PHIL. TEK SS
6	001310-000		120V HALOGEN LIGHT
7	PB040124		90 DEG. ORIFICE FITTING
8	PB040160		WOK IGNITER
9	B20015518		IR IGNITOR BRACKET 53
10	B20015401		FLEXIBLE IGNITOR STANDOFF
11	PB040280		FLEXIBLE ROTISSERIE IGNITOR
12	PB010162		THERMOCOUPLE - BBQ GRILL W/ ROTIS
13	B20015521		53 RH ROTISSERIE IGNITOR COVER
14	PD030048		THERMOCOUPLE NUT M08-VGBQ-8743300007
15	B2005347		INFRARED FRAME
16	B20015402		I/R IGNITOR COVER LH
17	B20015403		IR IGNITOR BRACKET
18	000602-000		GRILL LIGHT HOUSING LH



Ref #	Part Number	Qty.	Description
1	PD020055		NO.10 X 1/2 PAN PHIL. TEK. SS
2	B2005285		PHASE II ROTIS BOX FRONT
3	B2005286		PHASE II ROTIS COVER
4	PE050051		ROTIS SWITCH
5	PE050046		ROTIS SWITCH BOOT
6	PE070189		ELECTRICAL SUPPLY CORD - BBQ GRILL
7	PD040044		SNAP THRU BUSHING 1/4DIA CORD
8	PE070184		ROTISSERIE MOTOR
9	B2005284		PHASE II ROTIS BOX FRONT
10	PD020056		NO.10-24 X 1/2 PH.TR. M.S. SS
11	B1005283		ROTIS. MOUNTING PLATE (PHASE 2)
12	PD030064		CAPTURE NUT 1/4 NO.20
13	PD010090		ROTIS FASTENER KNOB
NI	G3205282		ROTISSERIE MOTOR ASSEMBLY (PHASE 2) (INCLUDES ITEMS 1 THRU 13)



Ref #	Part Number	Qty.	Description
1	PD020055		NO.10 X 1/2 PAN PHIL. TEK. SS
2	003654-000		53 GRILL REAR COVER
3	E9107203		FRONT HOUSING 53
4	G91015546		53 FRONT HOUSING WELD ASSY
5	000394-000		NO.8 SS TECH SCREW - COUNTERSINK
6	B20015574		GRILL WINDSHIELD TRIM
7	PD010043		5/16INCH SHOULDER BOLT (PHASE 2)
8	PB060055		ROTISSERIE MOUNT CASTING
9	PD020056		NO.10-24 X 1/2 PH.TR. M.S. SS
10	B20015575		OUTSIDE WINDSHIELD - RH
11	PC070024		ROTIS. GEAR BOX ASSY
12	PD030044		10-24 KEPS NUT SS
13	G5005257		OUTSIDE WINDSHIELD ASSY LH
14	B20015418		INSIDE WINDSHIELD RH
15	PB060112		WARMING RACK SUPPORT RH
16	PB060052		ROTISSERIE SPIT ROD 53
17	PB060050		WARMING RACK 53 FULL
18	PB060058		SPIT FORK
19	PD020082		10 X 24 COUNTERSUNK S.S. SCREW
20	PC020025		DRIP TRAY WHEEL
21	B2005278		ROTISSERIE ROLLER BRACKET (PHASE 2)
22	PB060113		WARMING RACK SUPPORT LH
23	B20015419		INSIDE WINDSHIELD LH
24	B20015576		OUTSIDE WINDSHIELD-LH
25	005942-000		SPRING INDEX
26	003746-000		FLAT TORSION SPRING FOR OUTDOOR GRILL CANOPY

*No Image
Available*

Ref #	Part Number	Qty.	Description
NI	PE070813	1	WIRE HARNESS (VGBQ5304RE)
NI	G4006379	2	WIRE ASSY (VGBQ-T SERIES) 25
NI	G40016227	2	IGNITOR WIRE 18
NI	G40016229	1	IGNITOR WIRE 34
NI	025323-000	2	HARNESS, WIRE, ROTISSERIE
NI	006021-000	1	SCE, PWR, LED, 12VAC
NI	005999-000	7	LED BOARD ASSEMBLY
NI	006017-000	5	LED WIRE 4.875
NI	006019-000	1	LED WIRE 10.75
NI	006105-000	1	LED WIRE 11.50
NI	006385-000	1	53 WIRE ASSEMBLY