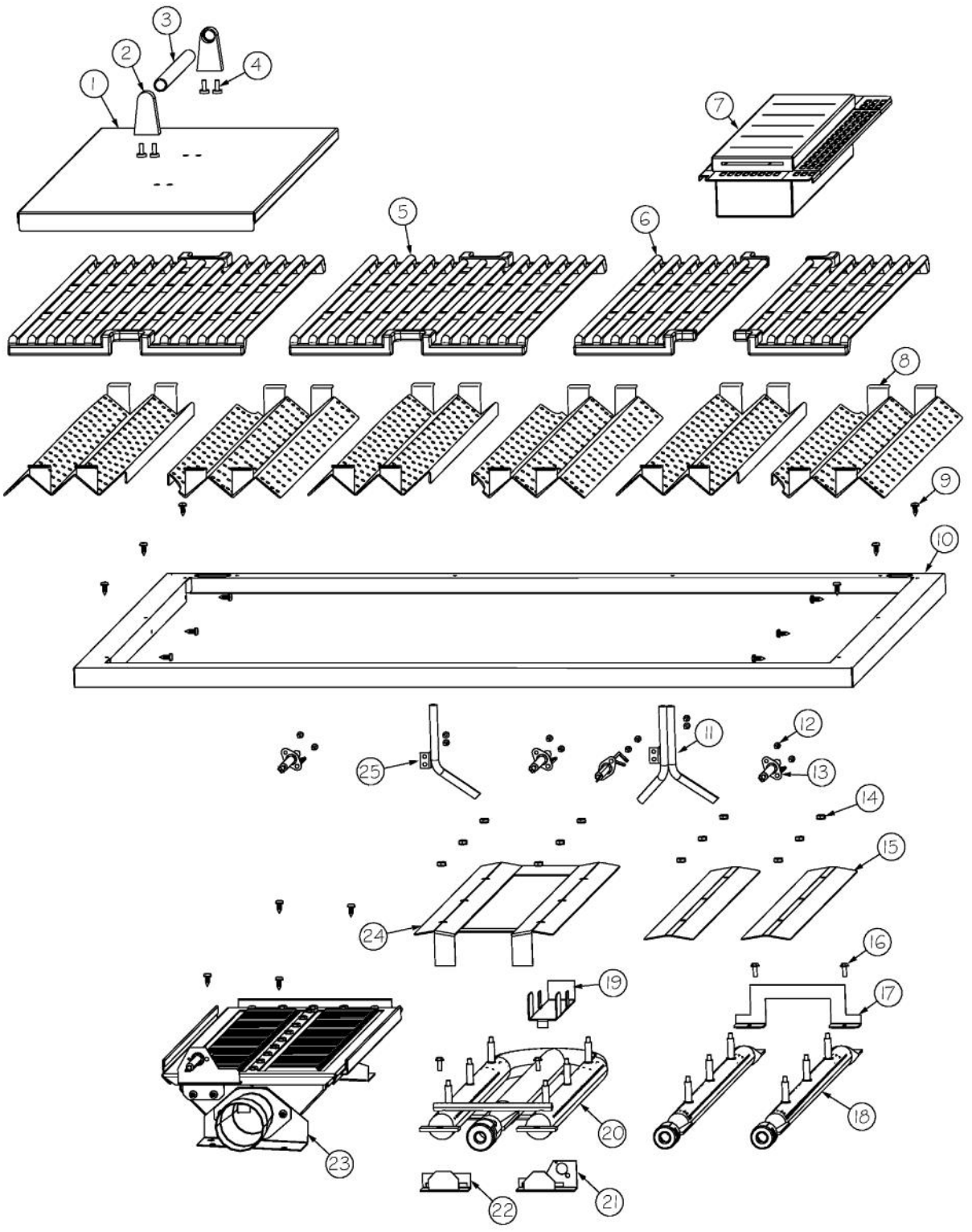
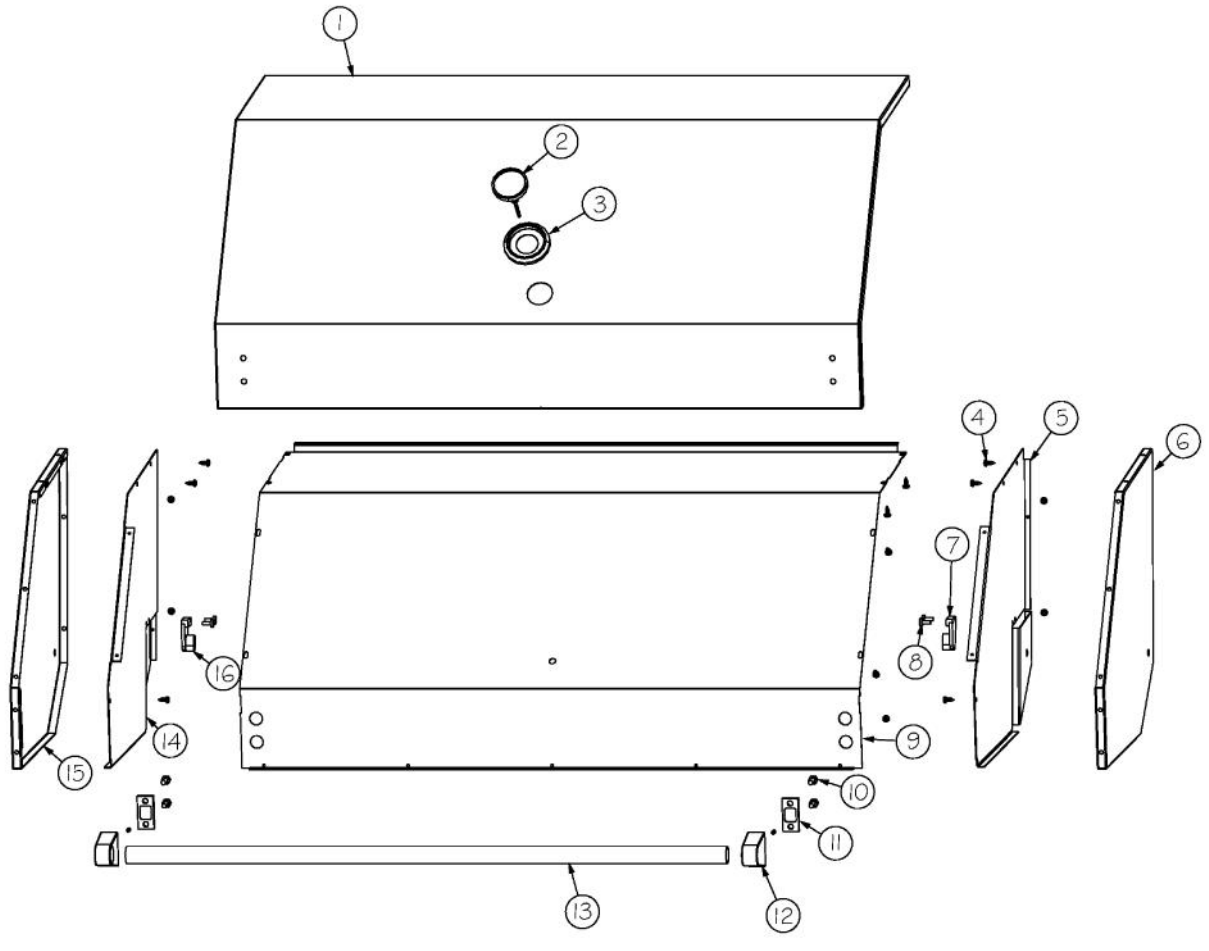


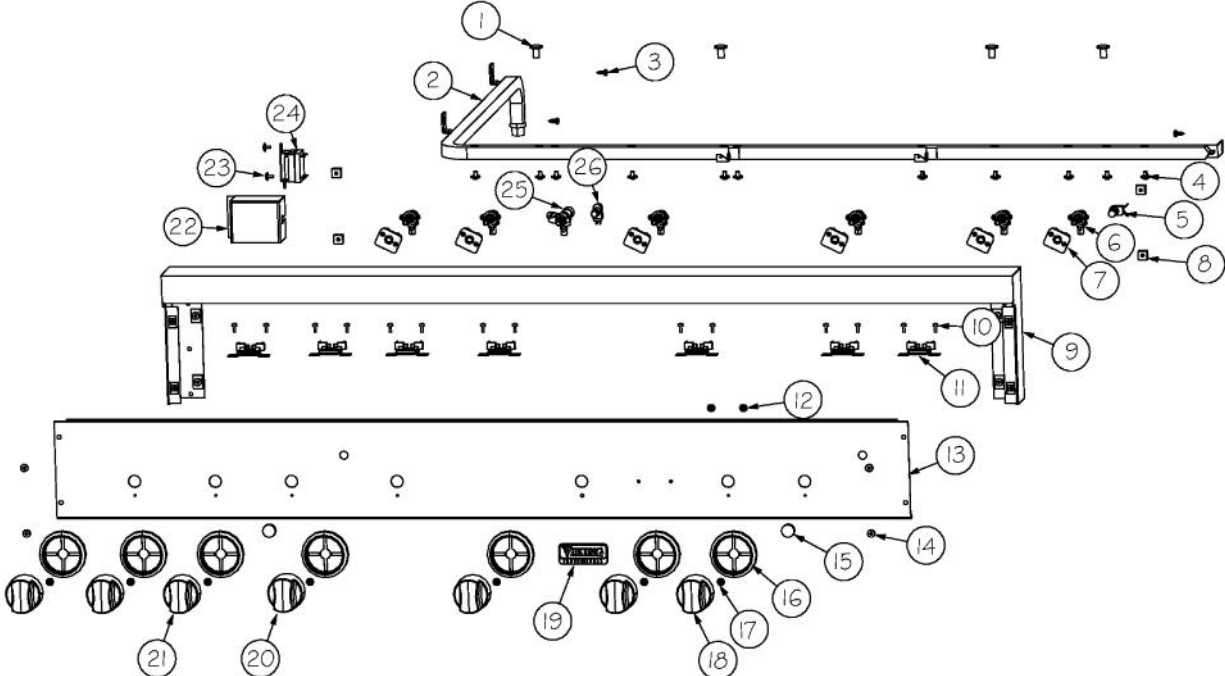
Ref #	Part Number	Qty.	Description
1	L1004882	1	REAR HEAT SHIELD - 53``
2	PD020055	83	NO.10 X 1/2 PAN PHIL. TEK. SS
3	002671-000	2	RUBBER DOOR BUMPER
4	004093-000	1	5323 GRILL REAR TRIM
5	002353-000	2	GRILL PLUG VENT
6	B2006305	3	HEAT SHIELD BRACKET
7	B20015511	1	GRILL BOX BACK 53
8	002355-000	2	GRILL RECEPTACLE BOX
9	A20015410	1	GRILL WIRE CHANNEL - 53 REAR
10	L1005398	2	SIDE HEAT SHIELD
11	B2005203	1	GRILL BOX SIDE RH (PHASE 2)
12	008327-000	1	BURNER BOX, ASM, BQ
13	B30015552	2	0+4 SPARK MODULE TERMINAL HOUSING
14	PA020047	2	INVENSYS 0+4 RE-IGNITION SPARK MODULE
15	B20015508	1	GRILL BOX BOTTOM 53
16	PD020014	1	10X3/4 PH TR HD SMS
17	PE070855	1	E SERIES TERMINAL BLOCK
18	PE070791	1	GRILL POWER SUPPLY CORD (8 FT)
19	PD040044	1	SNAP THRU BUSHING 1/4DIA CORD
20	008180-000	1	SUPPORT, BQ, FR
21	B2005204	1	PANEL, GRL, LH
22	A20015412	1	GRILL WIRE CHANNEL - 42 SHORT
23	B20011414	1	BURNER BOX DIVIDER (VGIQ300T)
24	B2005244	1	BURNER BOX CENTER TRIM
25	B2005246	1	BURNER BOX SHIELD (PHASE 2)
26	002354-000	1	GRILL PLUG PLATE
NI	019962-000	1	SERVICE POWER CORD SHIELD KIT



Ref #	Part Number	Qty.	Description
1	004459-000	1	GRILL SIDE BURNER COVER
2	PE030187	2	ENDCAP, TUBE
3	PE030197	1	VGIQ30 COVER HANDLE
4	PD020056	4	NO.10-24 X 1/2 PH.TR. M.S. SS
NI	004460-000	1	GRILL SIDE BURNER COVER ASSEMBLY (INCLUDES ITEMS 1 THROUGH 4)
5	002369-000	2	REDESIGN BBQ GRATE - FULL
6	002370-000	2	REDESIGN BBQ GRATE - HALF
7	G3005350	1	SMOKER BOX ASSY (VGBQ3002RT)
8	PK010061	6	HALF FLAVOR GRID PHASE 2
9	PD020055	16	NO.10 X 1/2 PAN PHIL. TEK. SS
10	B20015515	1	GRILL FRAME 41
11	PB020115	1	SMOKER FLASH TUBE
12	PD020067	14	NO.6 X 3/8 PAN PHIL. TEK SS
13	PB040288	3	SMOKER BURNER IGNITER
14	PD030044	12	10-24 KEPS NUT SS
15	006757-000	2	SMOKER DRIP SHIELD
16	PD020048	4	NO.10 X 1/2 TEK 410 SS SCREW
17	B2005248	1	FRONT BURNER BRACKET (PHASE 2)
18	PA080051	2	SMOKER/GRILL BURNER
19	006010-000	1	GRILL BURNER REAR BRACKET
20	004276-000	1	OUTDOOR GRILL U-BURNER
21	008181-000	1	BRCKT, IGNITOR, MT.
22	006011-000	1	GRILL BURNER FRONT BRACKET
23	G3208947	1	IR BURNER ASSY
24	007676-000	1	DRIP SHIELD, U
25	PB020114	1	FLASH TUBE (VGBQ3002T)

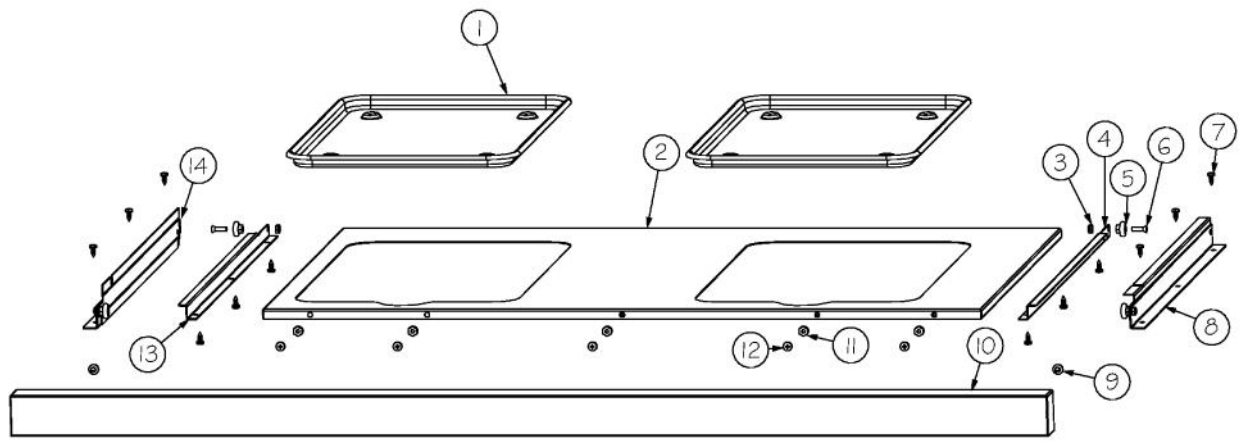


Ref #	Part Number	Qty.	Description
1	003636-000	1	41 OUTER CANOPY
2	PB010337	1	GRILL THERMOMETER
3	003366-000	1	THERMOSTAT BEZEL
4	PD020055	23	NO.10 X 1/2 PAN PHIL. TEK. SS
5	007379-000	1	GRILL CANOPY INSIDE RH
6	003630-000	1	GRILL CANOPY OUTSIDE RH
7	007215-000	1	CANOPY SPRING END MOUNT-RH
8	PD020056	4	NO.10-24 X 1/2 PH.TR. M.S. SS
9	003637-000	1	41 CANOPY HEAT SHIELD
10	PD020069	4	CAP SCREW 1/4-20 X 3/4 SS
11	PD040010	2	DOOR HANDLE SPACER
12	000268-000	2	HANDLE END CAP ASSY
13	PE030040	1	DOOR/CNPY HNDLE - RPLCS PE930090
14	003633-000	1	GRILL CANOPY INSIDE LH
15	003632-000	1	GRILL CANOPY OUTSIDE LH
16	005941-000	1	CANOPY SPRING END MOUNT-LH

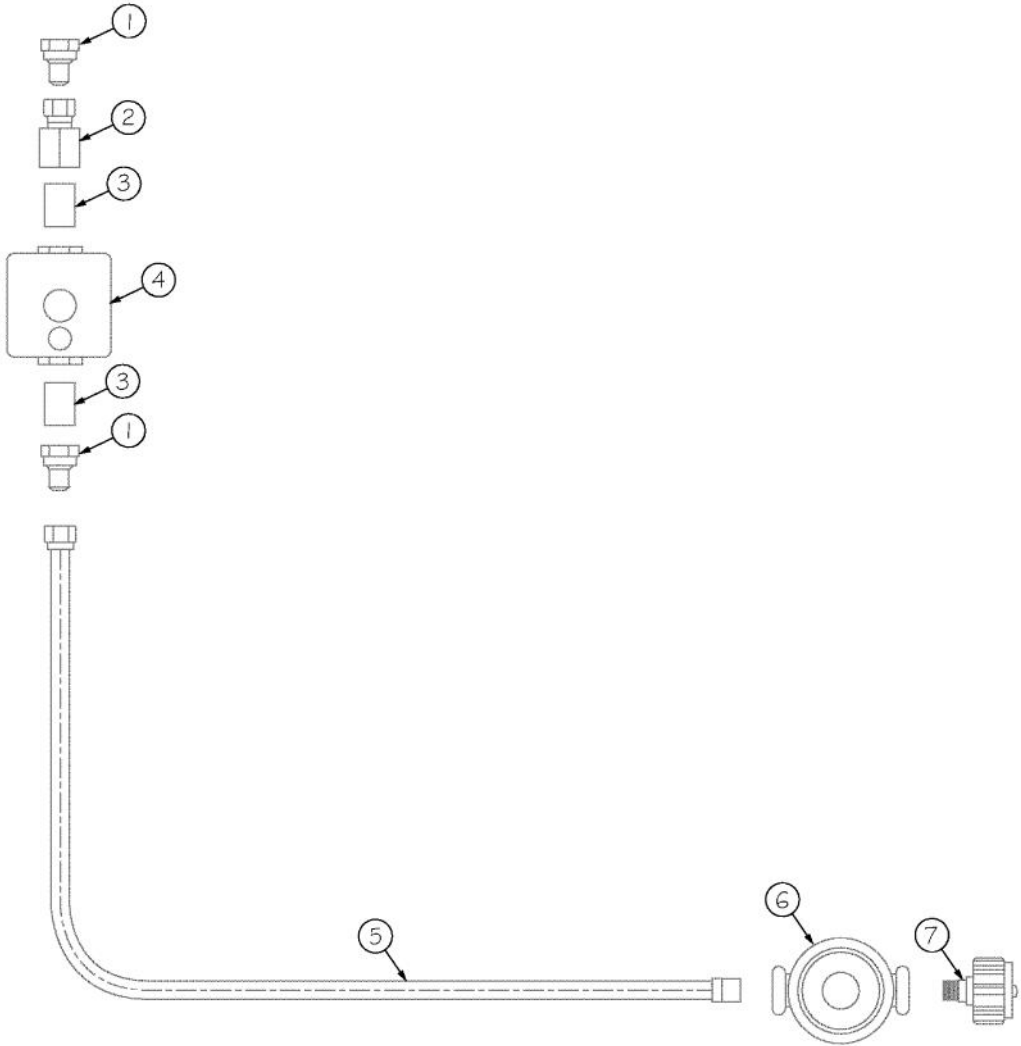


Ref #	Part Number	Qty.	Description
1	002884-000	4	MANIFOLD PLUG
2	PA050068	1	PHASE2 53 MANIFOLD
3	PD020055	3	NO.10 X 1/2 PAN PHIL. TEK. SS
4	PD010012	11	VALVE BOLT 1/4-20 UNC-2B 5/16 M.S.
5	PE050019	1	OVEN LIGHT SWITCH (VGSO166) 90-DEG.
6	006390-000	6	GAS VALVE - NAT.
7	PA020045	6	IGNITOR SWITCH
8	PD030050	4	10-24 CAGE NUT SS
9	PK010065	1	LANDING LEDGE (VGBQ53) T SERIES
10	PD020067	14	NO.6 X 3/8 PAN PHIL. TEK SS
11	005999-000	7	LED BOARD ASSEMBLY
12	PD030006	2	CAPPED WASHER PAL NUT
13	006067-000	1	VGIQ5304RE1 CONTROL PANEL
14	PD020056	4	NO.10-24 X 1/2 PH.TR. M.S. SS
15	PB010163	2	OVEN LIGHT SWITCH KNOB BK
16	PB010304	7	KNOB BEZEL
17	PD020067	7	NO.6 X 3/8 PAN PHIL. TEK SS
18	003561-000	5	OUTDOOR GRILL KNOB
19	PE010142	1	3 LOGO XBKXXCHROME
20	003562-000	1	OUTDOOR IR GRILL KNOB
21	003563-000	1	ROTIS BURNER KNOB
22	007657-000	1	PROT. COVER
23	PD020073	2	SRW NO.10 X 24 X 3/8 WAFER HD TYPE23
24	006021-000	1	SCE, PWR, LED, 12VAC
25	PB010191	1	I.R. SAFETY VALVE (PHASE II GRILLS)
26	PE050063	1	SPARKER SWITCH

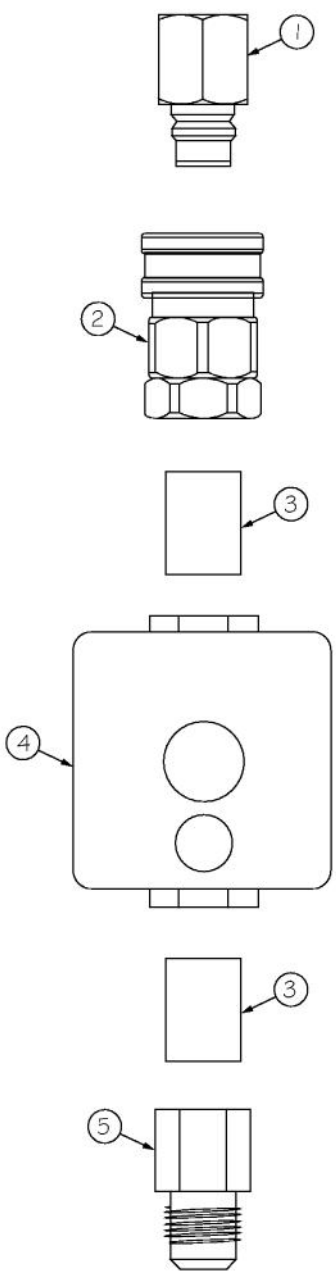




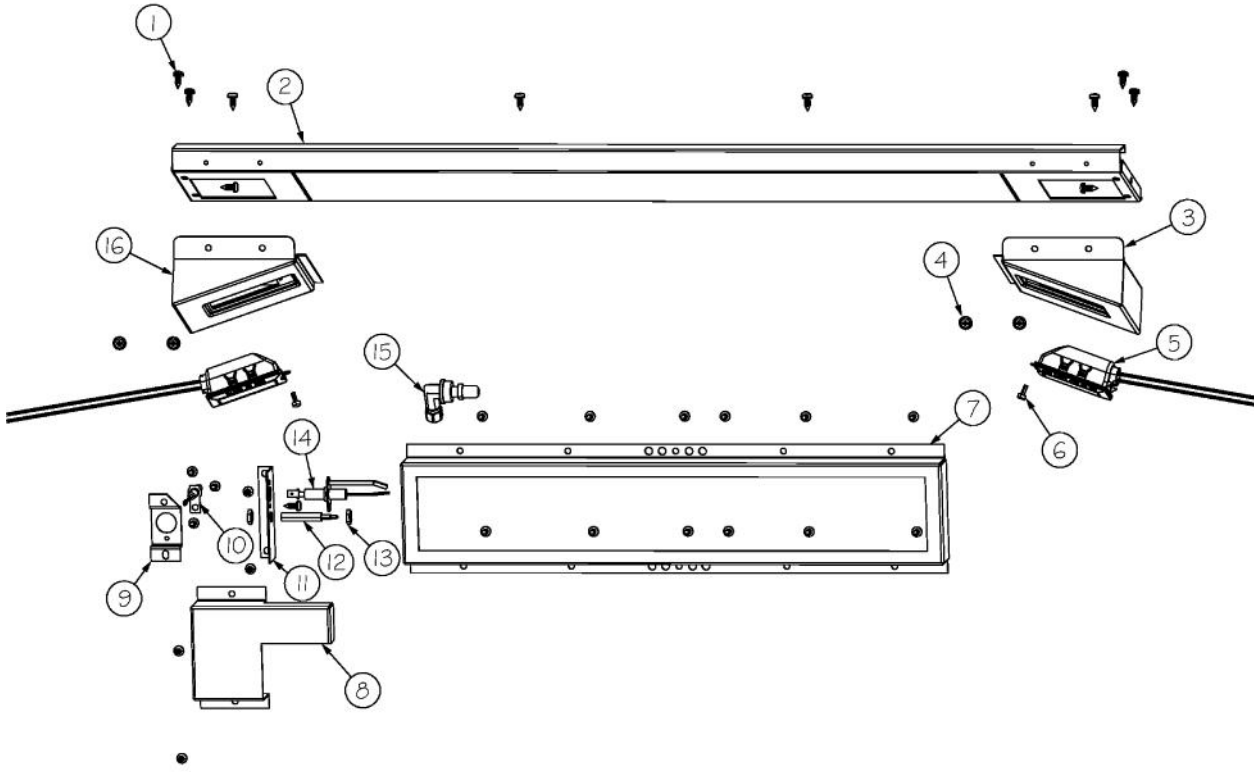
Ref #	Part Number	Qty.	Description
1	PB080061		GREASE PAN
2	B2005309		DRIP TRAY 41
3	PD030044		10-24 KEPS NUT SS
4	B2005316		DRIP TRAY RUNNER RH
5	PC020025		DRIP TRAY WHEEL
6	PD020082		10 X 24 COUNTERSUNK S.S. SCREW
7	PD020055		NO.10 X 1/2 PAN PHIL. TEK. SS
8	G3005214		DRIP TRAY SLIDE - LH
9	PD040004		GROMMET BUMPER
10	G3205305		53 DRIP TRAY ASSY
11	PD030044		10-24 KEPS NUT SS
12	PD020056		NO.10-24 X 1/2 PH.TR. M.S. SS
13	B2005317		DRIP TRAY RUNNER LH (PHASE 2)
14	G3005214		DRIP TRAY SLIDE - LH



Ref #	Part Number	Qty.	Description
1	PB040146	2	1/2 X 3/8 FLARE ADAPTER (VGBQ)
2	PB040235	1	1/2NPT TO 3/8 FLARE COUPLING
3	PB040046	2	1/2 CLOSE NIPPLE (VGSO166)
4	PA070005	1	PRESSURE REG.(LP) RV47L-77-10.0
5	PB020227	1	HIGH PRESSURE LP HOSE
6	PA070007	1	LP TANK REGULATOR (VGBQ)
7	PA010138	1	CYLINDER CONNECTION

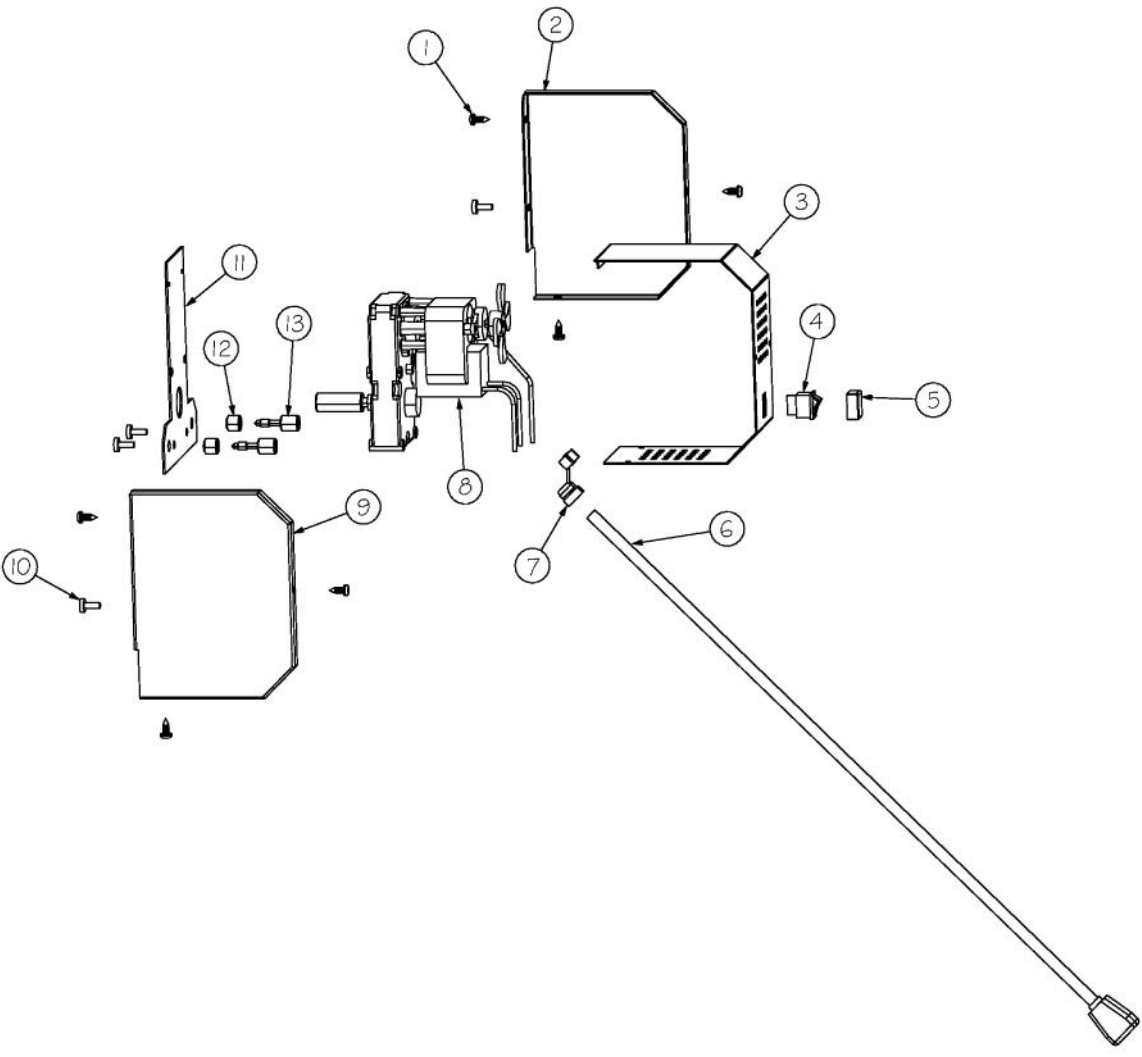


Ref #	Part Number	Qty.	Description
1	PB040167	1	MALE COUPLER (PHASE 1 GRILL)
2	PB040166	1	FEMALE COUPLER (PHASE 1 GRILL)
3	PB040046	2	1/2 CLOSE NIPPLE (VGSO166)
4	PA070006	1	PRESSURE REGULATOR - NATURAL
5	PB020239	1	7/8 FLARE TO 1/2 FEMALE CONNECTOR

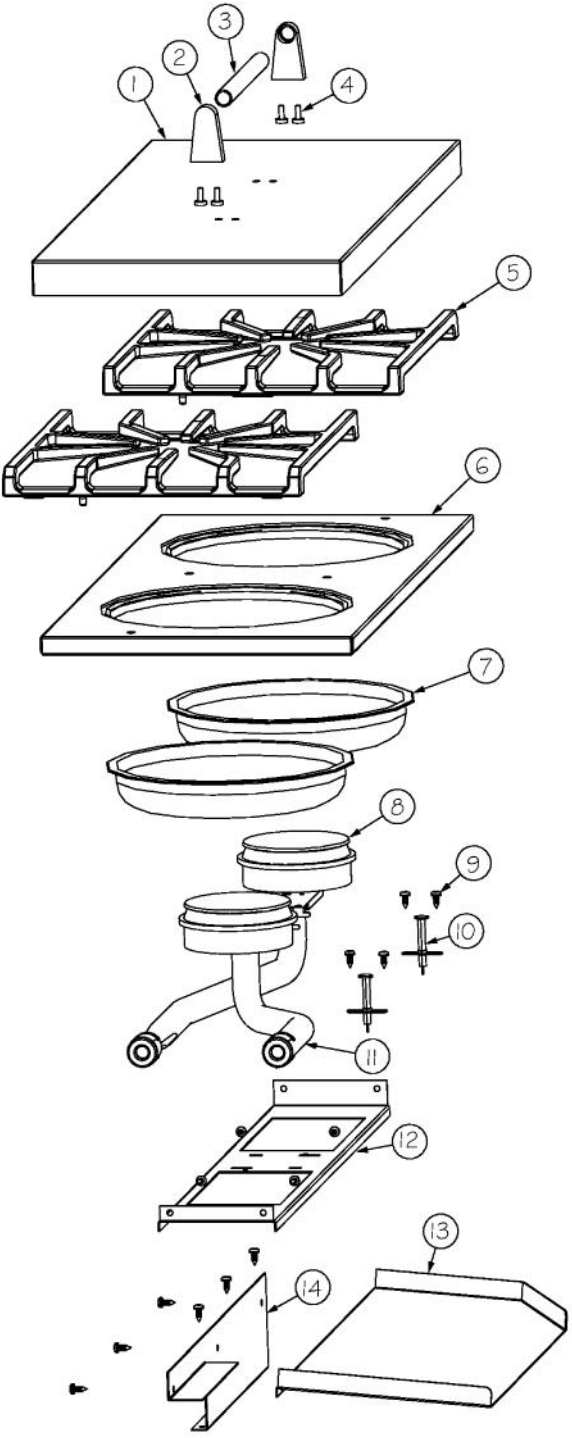


Ref #	Part Number	Qty.	Description
1	PD020055	30	NO.10 X 1/2 PAN PHIL. TEK. SS
2	G91015545	1	41 FRONT HOUSING WELD ASSY
3	000603-000	1	GRILL LIGHT HOUSING RH
4	PD020073	4	SRW NO.10 X 24 X 3/8 WAFER HD TYPE23
5	001310-000	2	120V HALOGEN LIGHT
6	PD020067	2	NO.6 X 3/8 PAN PHIL. TEK SS
7	B2005347	1	INFRARED FRAME
8	B20015402	1	I/R IGNITOR COVER LH
9	B20015401	1	FLEXIBLE IGNITOR STANDOFF
10	PB040280	1	FLEXIBLE ROTISSERIE IGNITOR
11	B20015403	1	IR IGNITOR BRACKET
12	PB010162	1	THERMOCOUPLE - BBQ GRILL W/ ROTIS
13	PD030048	2	THERMOCOUPLE NUT M08-VGBQ-8743300007
14	PB040160	1	WOK IGNITER
15	PB040124	1	90 DEG. ORIFICE FITTING
16	000602-000	1	GRILL LIGHT HOUSING LH

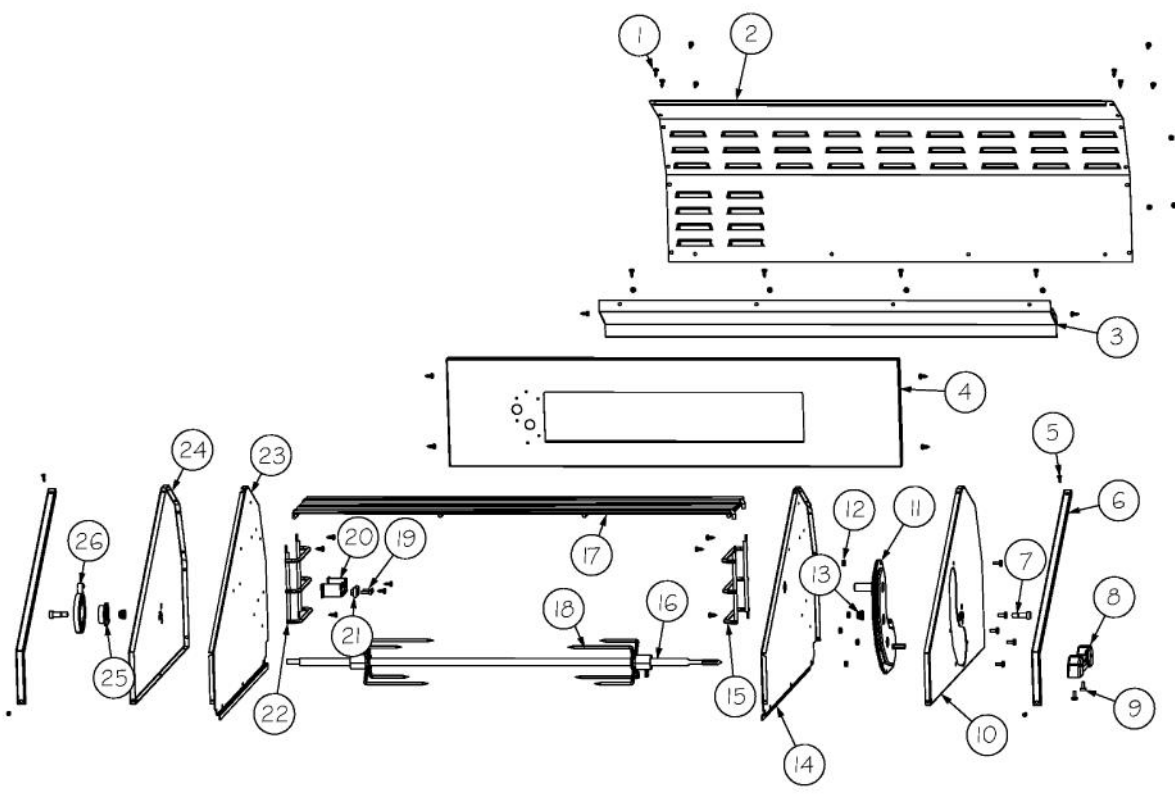




Ref #	Part Number	Qty.	Description
1	PD020055	6	NO.10 X 1/2 PAN PHIL. TEK. SS
2	B2005285	1	PHASE II ROTIS BOX FRONT
3	B2005286	1	PHASE II ROTIS COVER
4	PE050051	1	ROTIS SWITCH
5	PE050046	1	ROTIS SWITCH BOOT
6	PE070189	1	ELECTRICAL SUPPLY CORD - BBQ GRILL
7	PD040044	1	SNAP THRU BUSHING 1/4DIA CORD
8	PE070184	1	ROTISSERIE MOTOR
9	B2005284	1	PHASE II ROTIS BOX FRONT
10	PD020056	4	NO.10-24 X 1/2 PH.TR. M.S. SS
11	B1005283	1	ROTIS. MOUNTING PLATE (PHASE 2)
12	PD030064	2	CAPTURE NUT 1/4 NO.20
13	PD010090	2	ROTIS FASTENER KNOB
NI	G3205282	1	ROTISSERIE MOTOR ASSEMBLY (PHASE 2) (INCLUDES ITEMS 1 THRU 13)



Ref #	Part Number	Qty.	Description
1	004459-000	1	GRILL SIDE BURNER COVER
2	PE030187	1	ENDCAP, TUBE
3	PE030197	1	VGIQ30 COVER HANDLE
4	PD020056	1	NO.10-24 X 1/2 PH.TR. M.S. SS
5	003082-000	1	OUTDOOR SPIDER GRATE
6	004462-000	1	53 GRILL SIDE BURNER GRATE SUPPORT
7	PA030002	1	BURNER BOWL
8	004277-000	1	SS BURNER ASM, FRONT SIDE
9	PD020055	14	NO.10 X 1/2 PAN PHIL. TEK. SS
10	PA020028	1	SPARK IGNITER
11	004278-000	1	SS BURNER ASM, REAR TOP
12	B2005260	1	PHASE II BURNER SUPPORT
13	B20015507	1	GREASE DIVERTER
14	B20015506	1	SIDE BURNER DRIP SHIELD



Ref #	Part Number	Qty.	Description
1	PD020055		NO.10 X 1/2 PAN PHIL. TEK. SS
2	003653-000		41 GRILL REAR COVER
3	E91014431		FRONT HOUSING BOTTOM 41
4	G91015545		41 FRONT HOUSING WELD ASSY
5	000394-000		NO.8 SS TECH SCREW - COUNTERSINK
6	B20015574		GRILL WINDSHIELD TRIM
7	PD010043		5/16INCH SHOULDER BOLT (PHASE 2)
8	PB060055		ROTISSERIE MOUNT CASTING
9	PD020056		NO.10-24 X 1/2 PH.TR. M.S. SS
10	B20015575		OUTSIDE WINDSHIELD - RH
11	PC070024		ROTIS. GEAR BOX ASSY
12	PD030044		10-24 KEPS NUT SS
13	G5005257		OUTSIDE WINDSHIELD ASSY LH
14	B20015418		INSIDE WINDSHIELD RH
15	PB060112		WARMING RACK SUPPORT RH
16	PB060053		ROTISSERIE SPIT ROD 41
17	PB060056		WARMING RACK 41
18	PB060058		SPIT FORK
19	PD020082		10 X 24 COUNTERSUNK S.S. SCREW
20	PC020025		DRIP TRAY WHEEL
21	B2005278		ROTISSERIE ROLLER BRACKET (PHASE 2)
22	PB060113		WARMING RACK SUPPORT LH
23	B20015419		INSIDE WINDSHIELD LH
24	B20015576		OUTSIDE WINDSHIELD-LH
25	005942-000		SPRING INDEX
26	003746-000		FLAT TORSION SPRING FOR OUTDOOR GRILL CANOPY

*No Image  
Available*

Ref #	Part Number	Qty.	Description
NI	PE070812	1	WIRE HARNESS (VGBQ5323RE)
NI	G4006379	2	WIRE ASSY (VGBQ-T SERIES) 25
NI	G40016227	1	IGNITOR WIRE 18
NI	G40016229	2	IGNITOR WIRE 34
NI	G40016234	1	IGNITOR WIRE 22
NI	G40016228	1	IGNITOR WIRE 25
NI	025323-000	1	HARNESS, WIRE, ROTISSERIE
NI	006017-000	3	LED WIRE 4.875
NI	006018-000	2	LED WIRE 8.75
NI	006019-000	1	LED WIRE 10.75
NI	006105-000	1	LED WIRE 11.50
NI	006385-000	1	53 WIRE ASSEMBLY