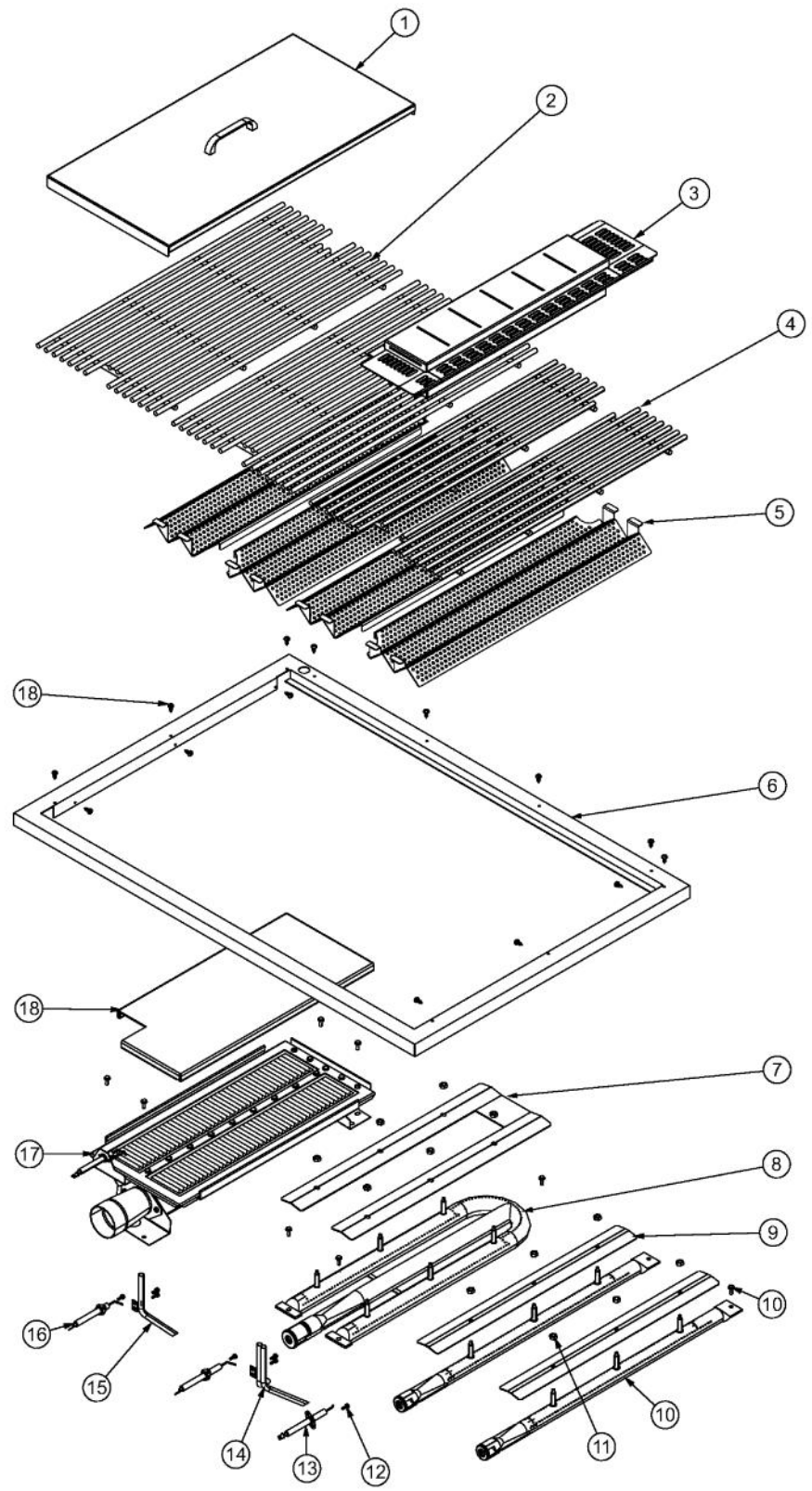
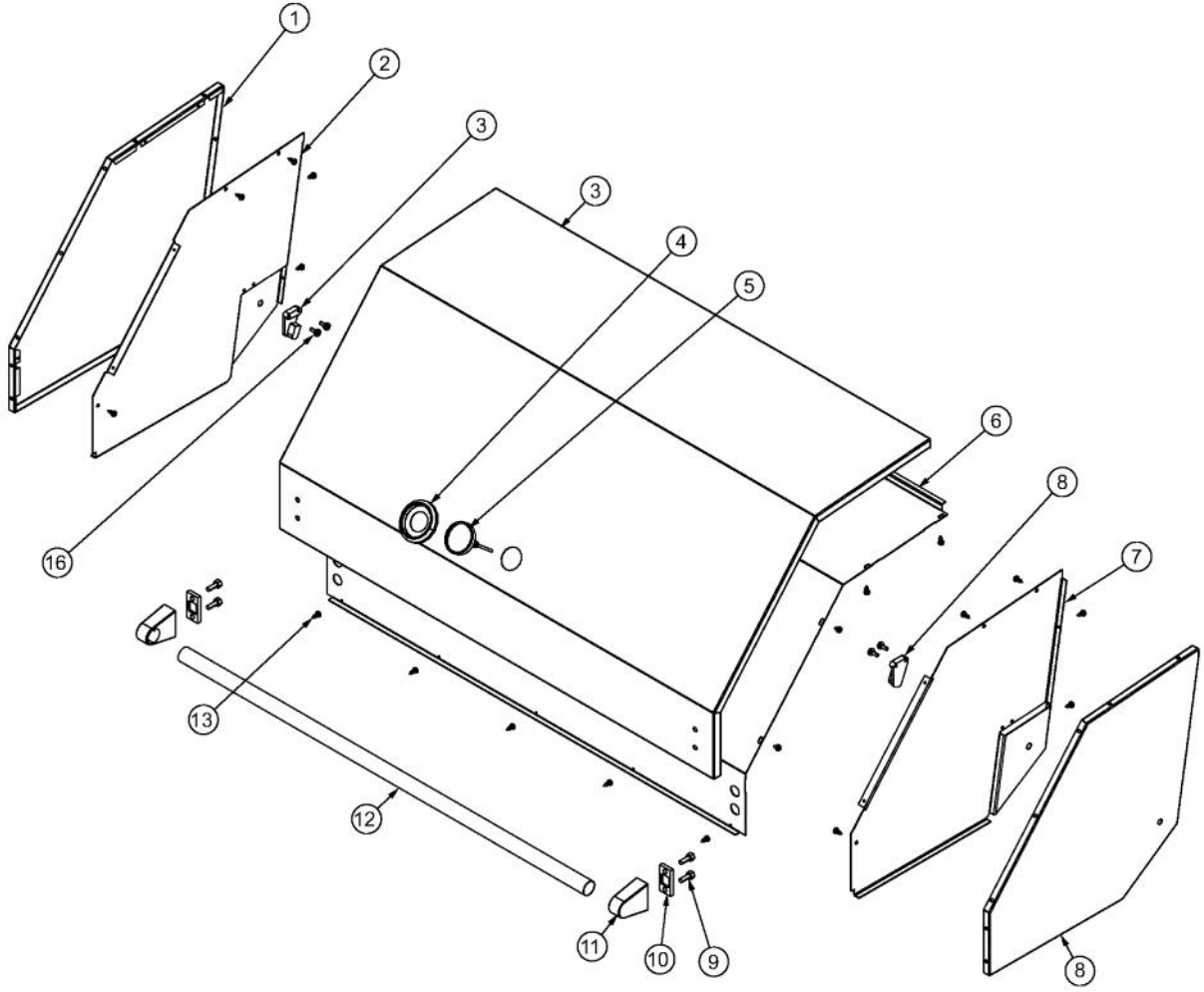


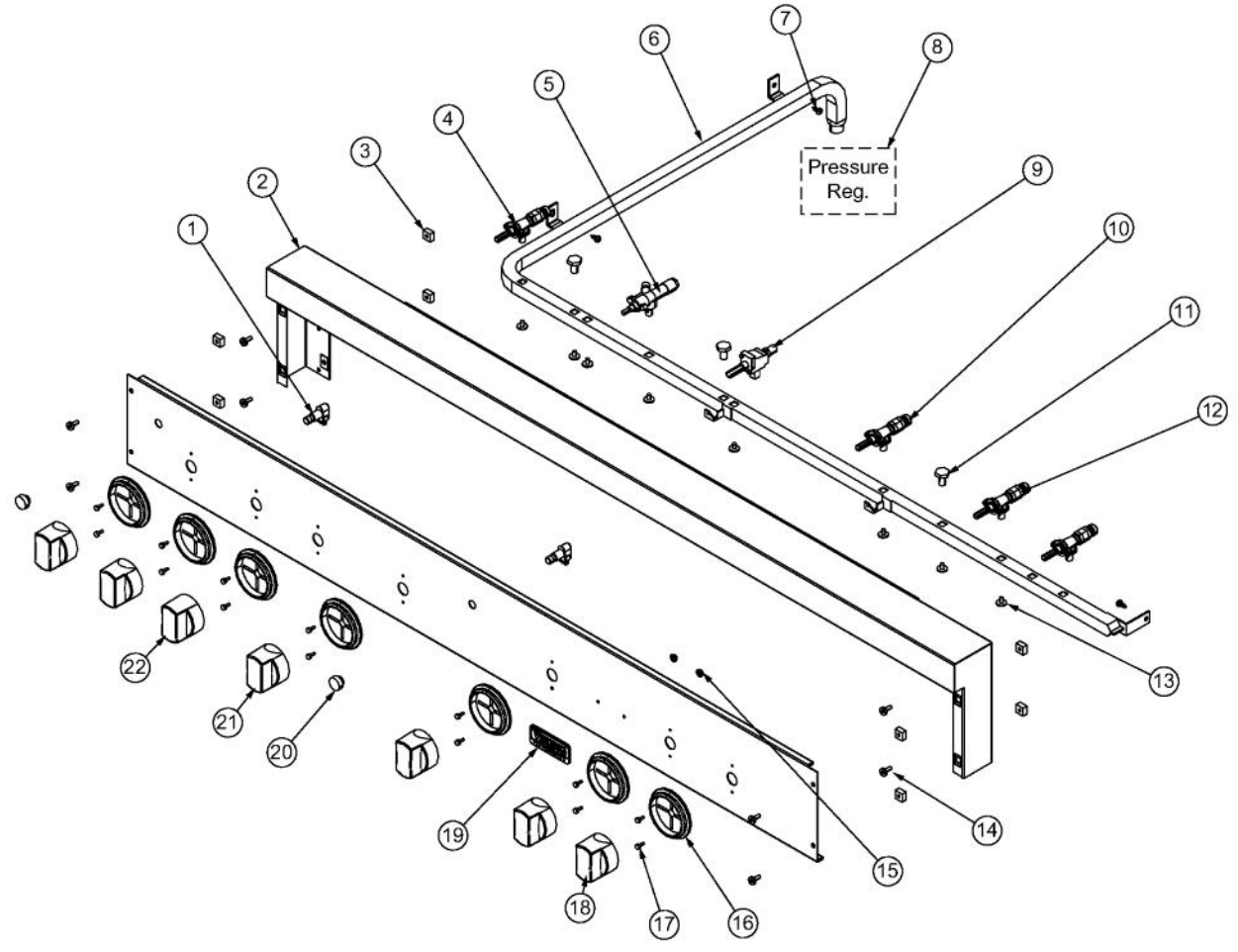
Ref #	Part Number	Qty.	Description
1	L1005398	2	SIDE HEAT SHIELD
2	B2005204	1	PANEL, GRL, LH
3	G3008944	1	BURNER BOX ASSY 41
4	B2005246	1	BURNER BOX SHIELD (PHASE 2)
5	L1004882	1	REAR HEAT SHIELD - 53``
6	B2008936	2	GRATE SPACER
7	B2006305	3	HEAT SHIELD BRACKET
8	004093-000	1	5323 GRILL REAR TRIM
9	B20015511	1	GRILL BOX BACK 53
10	B2005203	1	GRILL BOX SIDE RH (PHASE 2)
11	B20015508	1	GRILL BOX BOTTOM 53
12	B2005250	2	SPARK MODULE BRACKET (PHASE 2)
13	PM010049	2	SPARK MODULE BATTERY PHASE II
14	PA020036	2	SPARK MODULE
15	B2007822	1	GRILL BOX FRONT
16	B2008939	1	IR SPARK IGNITOR COVER
17	020051-000	66	SCR, DR, PHLP,PNH, 410SS, NPLT, 10-16 X 1/2



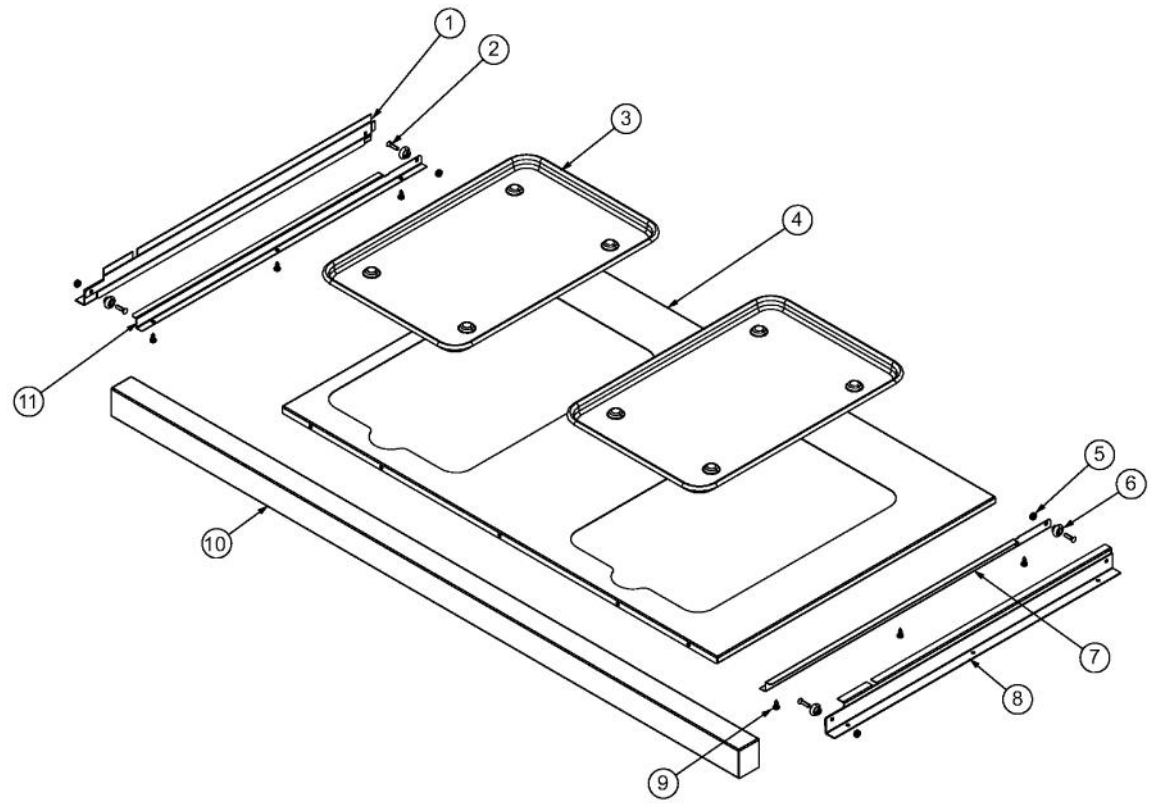
Ref #	Part Number	Qty.	Description
1	G32015421	1	IR COVER ASSY (VGIQ30)
2	PA060052	2	GRILL COOKING GRATES
3	G3005350	1	SMOKER BOX ASSY (VGBQ3002RT)
4	PA060053	2	HALF GRILL GRATE
5	PK010061	4	HALF FLAVOR GRID PHASE 2
6	B20015515	1	GRILL FRAME 41
7	B2004921	1	BURNER DRIP SHIELD (P1 GRILL)
8	PA080050	1	GRILL BURNER SS
9	B2005324	2	SMOKER DRIP SHIELD
10	PA080051	2	SMOKER/GRILL BURNER
11	PD030060	12	NO.10-32 KEPS NUT SS
12	PD020067	7	NO.6 X 3/8 PAN PHIL. TEK SS
13	PB040288	2	SMOKER BURNER IGNITER
14	PB020115	1	SMOKER FLASH TUBE
15	PB020114	1	FLASH TUBE (VGBQ3002T)
16	PB040160	1	WOK IGNITER
17	G3208947	1	IR BURNER ASSY
18	020051-000	14	SCR, DR, PHLP,PNH, 410SS, NPLT, 10-16 X 1/2



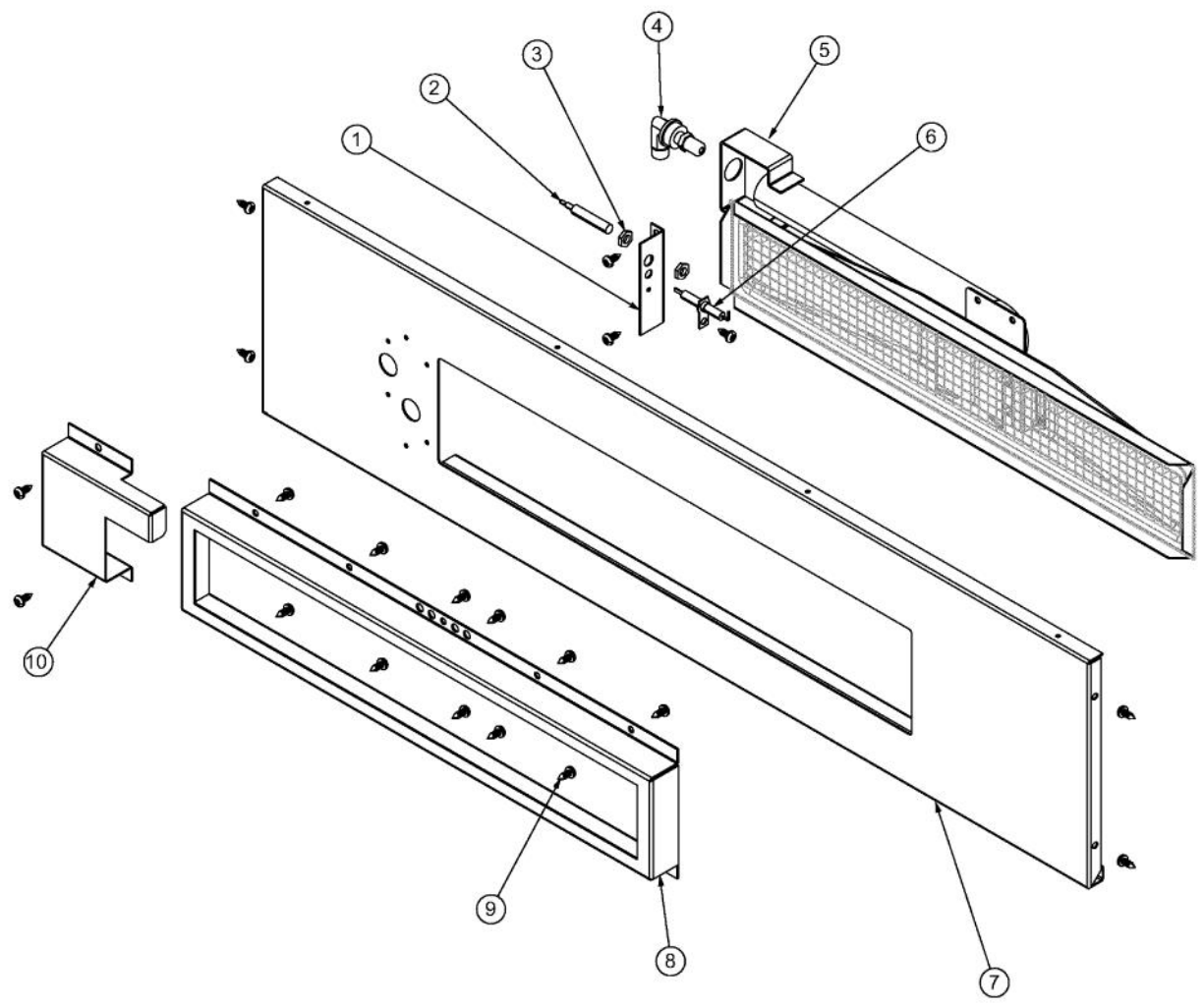
Ref #	Part Number	Qty.	Description
1	003632-000	1	GRILL CANOPY OUTSIDE LH
2	006667-000	1	GRILL CANOPY INSIDE LH
3	003636-000	1	41 OUTER CANOPY
4	003366-000	1	THERMOSTAT BEZEL
5	PB010337	1	GRILL THERMOMETER
6	003637-000	1	41 CANOPY HEAT SHIELD
7	006666-000	1	GRILL CANOPY INSIDE RH
8	003630-000	1	GRILL CANOPY OUTSIDE RH
9	PD020069	4	CAP SCREW 1/4-20 X 3/4 SS
10	PD040010	2	DOOR HANDLE SPACER
11	000268-000	2	HANDLE END CAP ASSY
12	PE030040	1	DOOR/CNPY HNDLE - RPLCS PE930090
13	020051-000	19	SCR, DR, PHLP,PNH, 410SS, NPLT, 10-16 X 1/2



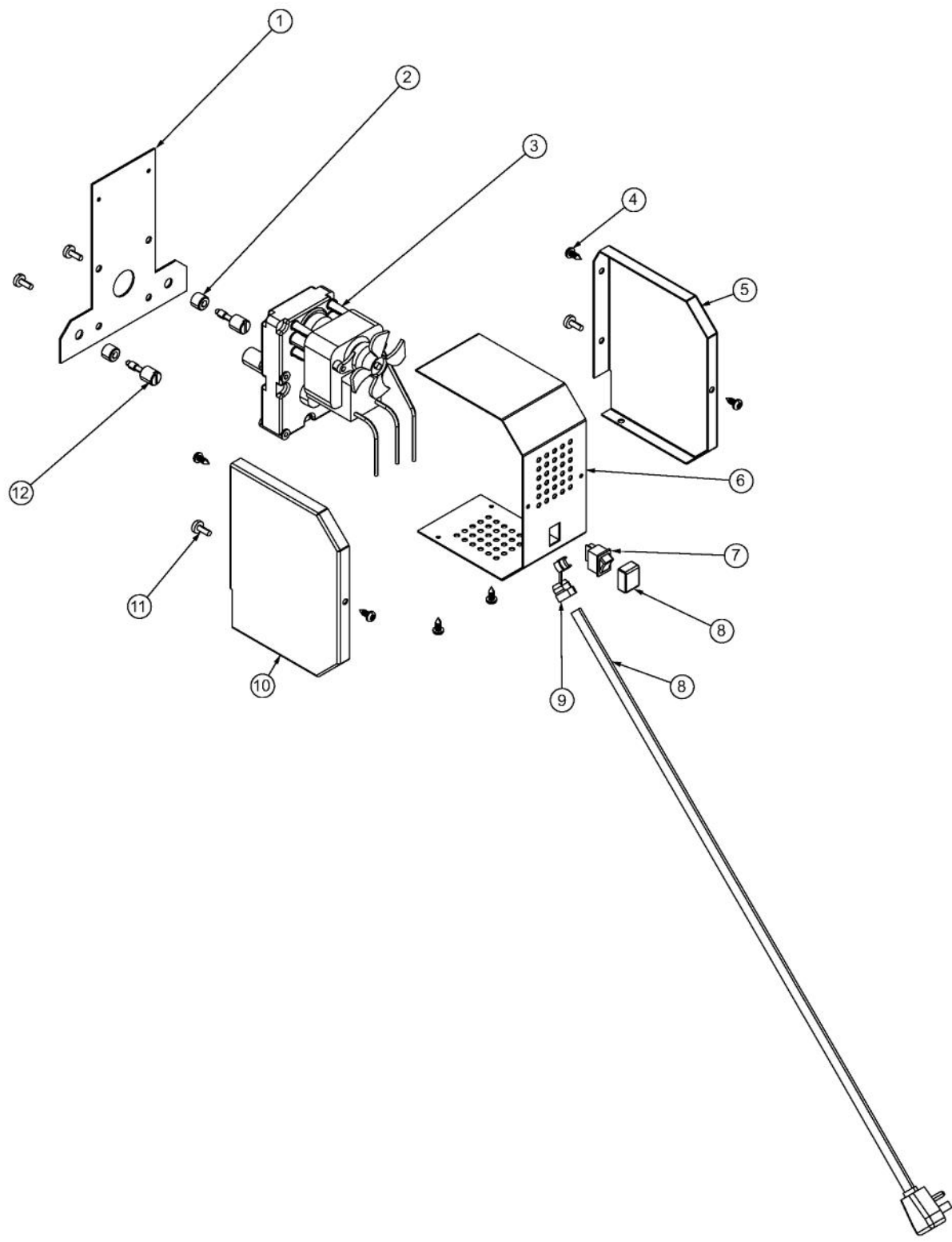
Ref #	Part Number	Qty.	Description
1	PE050063	2	SPARKER SWITCH
2	G3005221	1	LANDING LEDGE ASSY - 53
3	PD030050	8	10-24 CAGE NUT SS
4	014956-000	1	VALVE, GAS, ASM, SIDE, BNR, NAT
4	014958-000	1	VALVE, GAS, ASM, SIDE, BNR, LP
5	PB010220	1	I.R. SAFETY VALVE LP
6	PA050068	1	PHASE2 53 MANIFOLD
7	PD020055	3	NO.10 X 1/2 PAN PHIL. TEK. SS
8	G3004936	1	REGULATOR ASSY - NAT (P1 GRILL)
8	G3004937	1	REGULATOR ASSY - L.P. W/HOSE
9	008773-000	1	VALVE, GAS ASM - NAT.
9	008772-000	1	VALVE, GAS ASM - LP
10	014952-000	1	VALVE, GAS, ASM, U BNR
10	014953-000	1	VALVE, GAS, ASM, U BNR - LP
11	002884-000	3	MANIFOLD PLUG
12	014959-000		VALVE, GAS, ASM, SIDE, SMKR, NAT
12	014960-000	2	VALVE, GAS, ASM, SIDE, SMKR, LP
13	PD010012	8	VALVE BOLT 1/4-20 UNC-2B 5/16 M.S.
14	PD020056	8	NO.10-24 X 1/2 PH.TR. M.S. SS
15	PD030006	1	CAPPED WASHER PAL NUT
16	PB010304	6	KNOB BEZEL
17	PD020067	14	NO.6 X 3/8 PAN PHIL. TEK SS
18	003561-000	5	OUTDOOR GRILL KNOB
19	015009-000	1	OUTDOOR LOGO - 3 CHROME
20	PB010163	2	OVEN LIGHT SWITCH KNOB BK
21	003562-000	1	OUTDOOR IR GRILL KNOB
22	003563-000	1	ROTIS BURNER KNOB



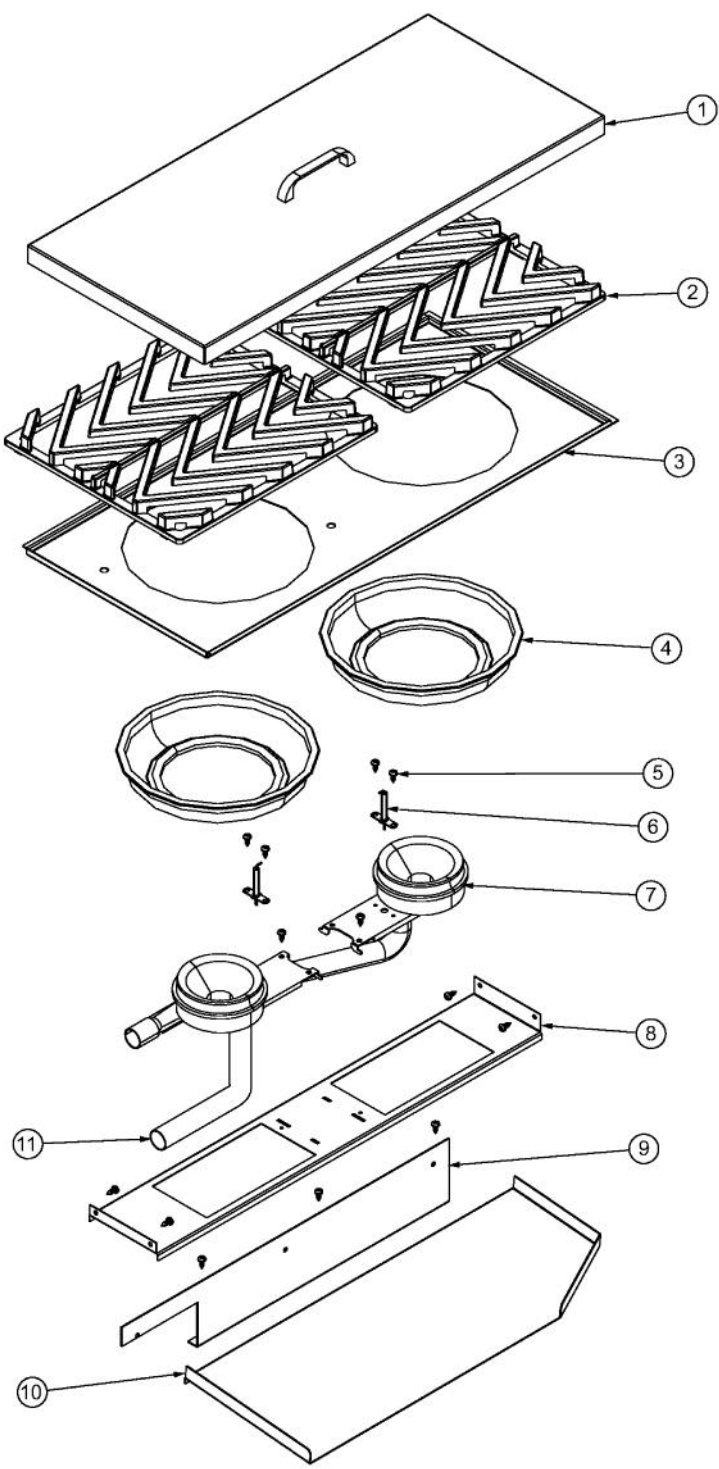
Ref #	Part Number	Qty.	Description
1	G3005214	1	DRIP TRAY SLIDE - LH
2	PD020082	4	10 X 24 COUNTERSUNK S.S. SCREW
3	J2101749	2	GREASE PAN
4	B2005309	1	DRIP TRAY 41
5	PD030044	4	10-24 KEPS NUT SS
6	PC020025	4	DRIP TRAY WHEEL
7	B2005316	1	DRIP TRAY RUNNER RH
8	G3005215	1	DRIP TRAY SLIDE - RH
9	020051-000	6	SCR, DR, PHLP,PNH, 410SS, NPLT, 10-16 X 1/2
10	B3005313	1	53 DRIP TRAY HANDLE
11	B2005317	1	DRIP TRAY RUNNER LH (PHASE 2)



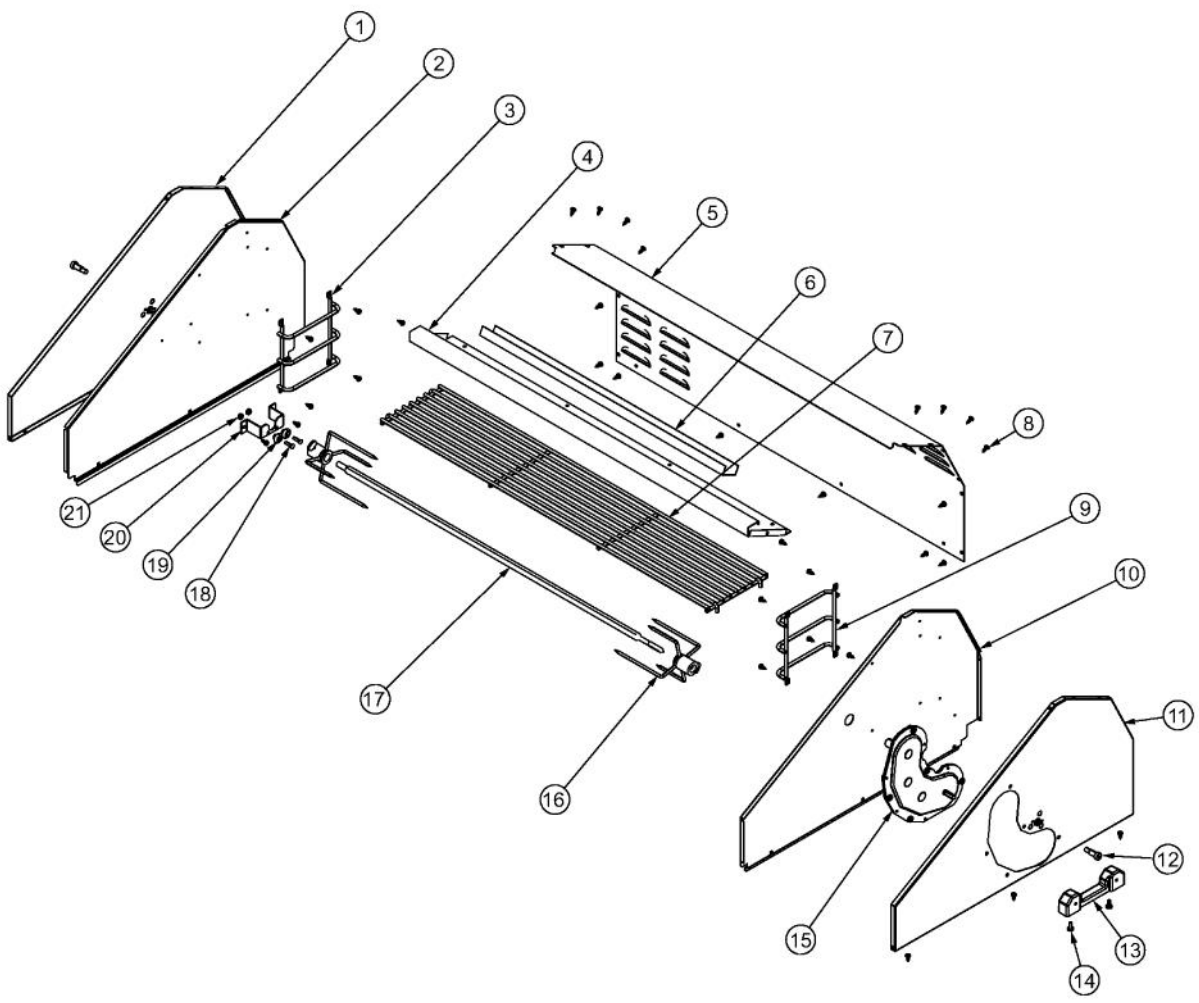
Ref #	Part Number	Qty.	Description
1	B20015403	1	IR IGNITOR BRACKET
2	PB010210	1	FULL THERMOCOUPLE
3	PD030048	2	THERMOCOUPLE NUT M08-VGBQ-8743300007
4	PB040124	1	90 DEG. ORIFICE FITTING
5	G3005289	1	BURNER,ASM,,ASM,IR,20
6	PB040280	1	FLEXIBLE ROTISSERIE IGNITOR
7	G91015545	1	41 FRONT HOUSING WELD ASSY
8	B2005347	1	INFRARED FRAME
9	020051-000	20	SCR, DR, PHLP,PNH, 410SS, NPLT, 10-16 X 1/2
10	B2008939	1	IR SPARK IGNITOR COVER



Ref #	Part Number	Qty.	Description
1	B1005283	1	ROTIS. MOUNTING PLATE (PHASE 2)
2	PD030064	2	CAPTURE NUT 1/4 NO.20
3	PE070184	1	ROTISSERIE MOTOR
4	020051-000	6	SCR, DR, PHLP,PNH, 410SS, NPLT, 10-16 X 1/2
5	B2005285	1	PHASE II ROTIS BOX FRONT
6	B2005286	1	PHASE II ROTIS COVER
7	PE050051	1	ROTIS SWITCH
8	PE070189	1	ELECTRICAL SUPPLY CORD - BBQ GRILL
9	PD040044	1	SNAP THRU BUSHING 1/4DIA CORD
10	B2005284	1	PHASE II ROTIS BOX FRONT
11	PD020056	4	NO.10-24 X 1/2 PH.TR. M.S. SS
12	PD010090	1	ROTIS FASTENER KNOB
NI	G3205282	1	ROTIS MOTOR ASSEMBLY (PHASE 2) (INCLUDES ITEMS 1 THRU 12)



Ref #	Part Number	Qty.	Description
1	004460-000	1	GRILL SIDE BURNER COVER ASSEMBLY
2	003082-000	2	OUTDOOR SPIDER GRATE
3	004462-000	1	53 GRILL SIDE BURNER GRATE SUPPORT
4	PA030002	2	BURNER BOWL
5	020051-000	13	SCR, DR, PHLP,PNH, 410SS, NPLT, 10-16 X 1/2
6	PA020028	2	SPARK IGNITER
7	004277-000	1	SS BURNER ASM, FRONT SIDE
8	B2005260	1	PHASE II BURNER SUPPORT
9	B20015506	1	SIDE BURNER DRIP SHIELD
10	B20015507	1	GREASE DIVERTER
11	004278-000	1	SS BURNER ASM, REAR TOP



Ref #	Part Number	Qty.	Description
1	B20015576	1	OUTSIDE WINDSHIELD-LH
2	B20015419	1	INSIDE WINDSHIELD LH
3	PB060113	2	WARMING RACK SUPPORT LH
4	G9105395	1	41" FRONT HOUSING TOP WELD ASSY
5	003653-000	1	41 GRILL REAR COVER
6	E2005397	1	FRONT HOUSING TOP BRACKET
7	PB060056	1	WARMING RACK 41
8	020051-000	33	SCR, DR, PHLP,PNH, 410SS, NPLT, 10-16 X 1/2
9	PB060112	1	WARMING RACK SUPPORT RH
10	B20015418	1	INSIDE WINDSHIELD RH
11	B20015575	1	OUTSIDE WINDSHIELD - RH
12	PD010043	2	5/16INCH SHOULDER BOLT (PHASE 2)
13	PB060055	1	ROTISSERIE MOUNT CASTING
14	PD020056	2	NO.10-24 X 1/2 PH.TR. M.S. SS
15	PC070024	1	ROTISSERIE GEAR BOX ASSY
16	PB060058	2	SPIT FORK
17	PB060053	1	ROTISSERIE SPIT ROD 41
18	PD020082	2	10 X 24 COUNTERSUNK S.S. SCREW
19	PC020025	2	DRIP TRAY WHEEL
20	B2005278	1	ROTISSERIE ROLLER BRACKET (PHASE 2)
21	PD030044	2	10-24 KEPS NUT SS

*No Image
Available*

Ref #	Part Number	Qty.	Description
NI	G4006382	1	WIRE ASSY (VGBQ-T SERIES) 30
NI	G4006377	1	WIRE ASSY (VGBQ-T SERIES) 15
NI	G4006379	2	WIRE ASSY (VGBQ-T SERIES) 25
NI	G4006380	2	WIRE ASSY (VGBQ-T SERIES) 15
NI	025322-000	1	HARNESS, WIRE, ROTISSERIE