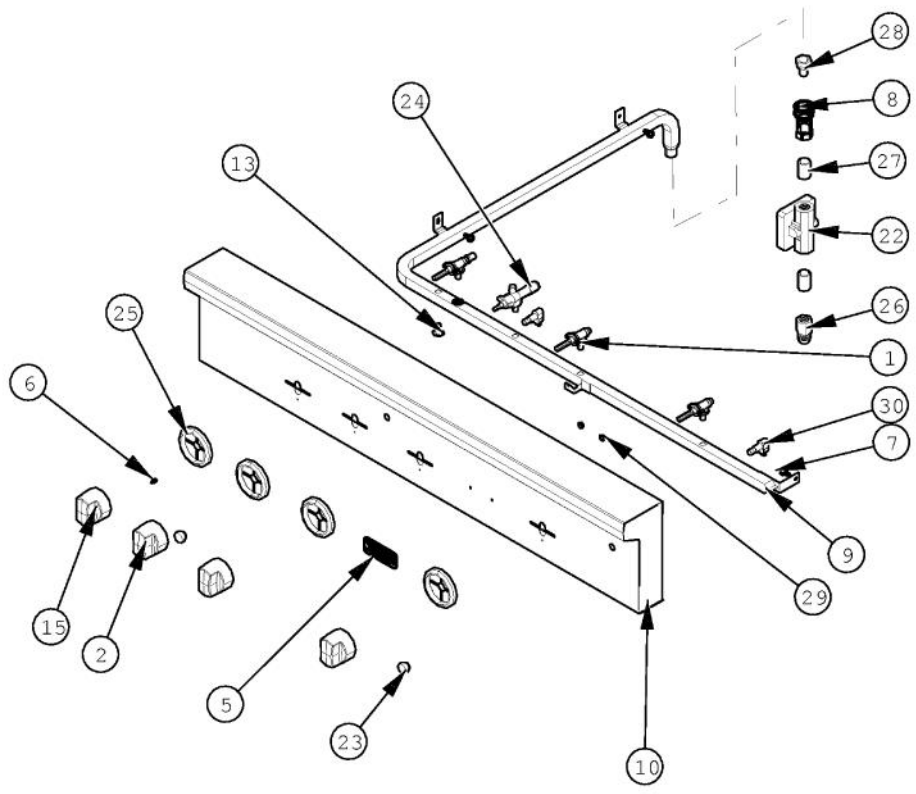
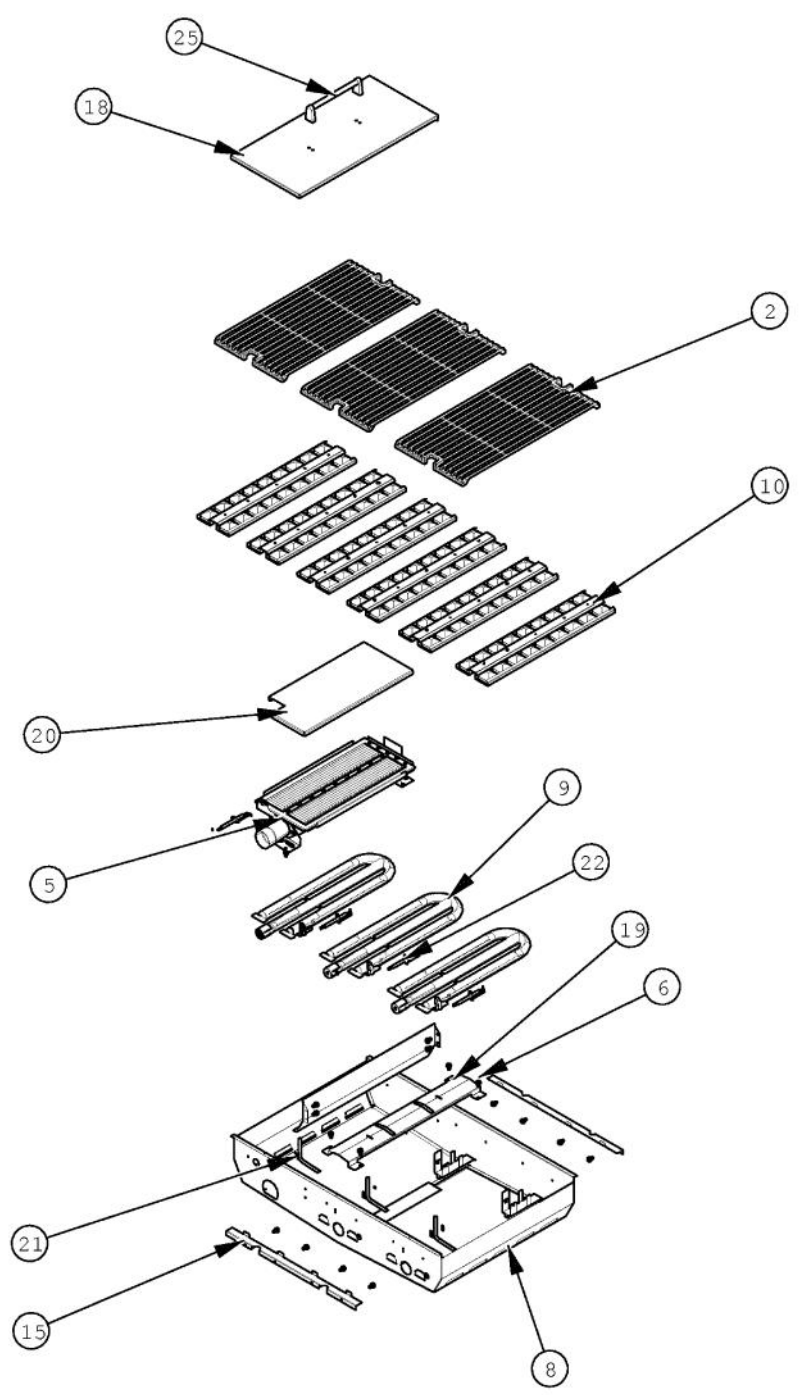


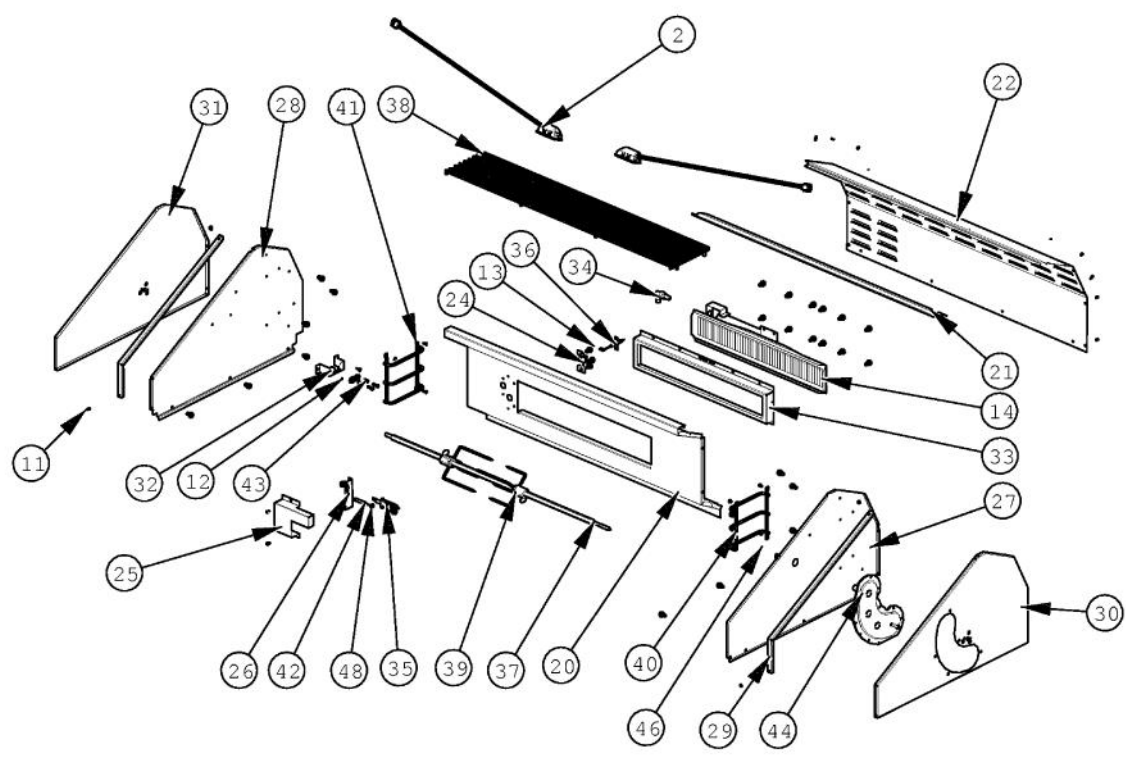
Ref #	Part Number	Qty.	Description
1	002353-000	2	GRILL PLUG VENT
2	002354-000	1	GRILL PLUG PLATE
3	002355-000	2	GRILL RECEPTACLE BOX
4	002671-000	2	RUBBER DOOR BUMPER
5	003801-000	2	SHOULDER SCREW, NO.10
6	003857-000	1	4103 GRILL REAR TRIM
7	004089-000	1	POWER CORD SHIELD
8	006021-000	1	SCE, PWR, LED, 12VAC
9	007657-000	1	PROT. COVER
10	020051-000	4	SCR, DR, PHLP,PNH, 410SS, NPLT, 10-16 X 1/2
11	020055-000	10	SCR, DR, HXWH, 410SS, NPLT, 10-18 X 1/2
12	025752-000	1	SUPPORT, GRL, FR, 41
13	032513-000	1	WALL, GRILL, INNER, REAR 542
14	033811-000	1	GRILL FRAME 41
15	034426-000	2	PLATE, GUARD
16	A20015411	1	GRILL WIRE CHANNEL - 41 REAR
17	A20015412	1	GRILL WIRE CHANNEL - 42 SHORT
18	B20013593	1	DRIP TRAY SLIDE - LH
19	B20013594	1	DRIP TRAY SLIDE - RH
20	B20015509	1	GRILL BOX BOTTOM 41
21	B20015512	1	GRILL BOX BACK 41
22	B20015568	1	0+4 SM/TB HOUSING BTM
23	B2005203	1	GRILL BOX SIDE RH (PHASE 2)
24	B2005204	1	PANEL, GRL, LH
25	B2005213	1	DRIP TRAY GUIDE BRACKET (PHASE 2)
26	B2006305	2	HEAT SHIELD BRACKET
27	B30015552	1	0+4 SPARK MODULE TERMINAL HOUSING
28	L1004881	1	REAR HEAT SHIELD 41 (PHASE 2)
29	L1005398	2	SIDE HEAT SHIELD
30	PA020047	1	INVENSYS 0+4 RE-IGNITION SPARK MODULE
31	PC020025	4	DRIP TRAY WHEEL
32	PD020073	2	SRW NO.10 X 24 X 3/8 WAFER HD TYPE23
33	PD020082	2	10 X 24 COUNTERSUNK S.S. SCREW
34	PD020166	2	NO.10 X 3/4 PAN PHIL. TEK. XSSX
35	PE070147	1	TERMINAL BLOCK



Ref #	Part Number	Qty.	Description
1	006388-000	3	GAS VALVE - NAT.
1	006389-000	3	GAS VALVE - LP
2	014618-000	1	GRILL ROTISSERIE KNOB - SS
5	015009-000	1	OUTDOOR LOGO - 3 CHROME
6	020041-000	4	SCR, DR, PH, PNH, 410 SS, NPLT, 6-20 X 3/8
7	020051-000	6	SCR, DR, PHLP, PNH, 410SS, NPLT, 10-16 X 1/2
9	025866-000	1	MANIFOLD, GAS, IQ4103
10	032355-2378	1	PANEL, CNTRL WELD ASM VGBQ54203 W/GRAPHICS
13	PD010012	4	VALVE BOLT 1/4-20 UNC-2B 5/16 M.S.
15	014616-000	3	GRILL KNOB - SS
22	PA070006	1	PRESSURE REGULATOR - NATURAL
22	PA070005	1	PRESSURE REG.(LP) RV47L-77-10.0
24	PB010220	1	I.R. SAFETY VALVE LP
25	PB010304	1	KNOB BEZEL
26	PB040235	1	1/2NPT TO 3/8 FLARE COUPLING
27	PB040046	2	1/2 CLOSE NIPPLE (VGSO166)
28	PB040146	1	1/2 X 3/8 FLARE ADAPTER (VGBQ)
29	PD030006	2	CAPPED WASHER PAL NUT
NI	PB020227	1	HIGH PRESSURE LP HOSE
NI	PA010138	1	CYLINDER CONNECTION
NI	PA070007	1	LP TANK REGULATOR (VGBQ)

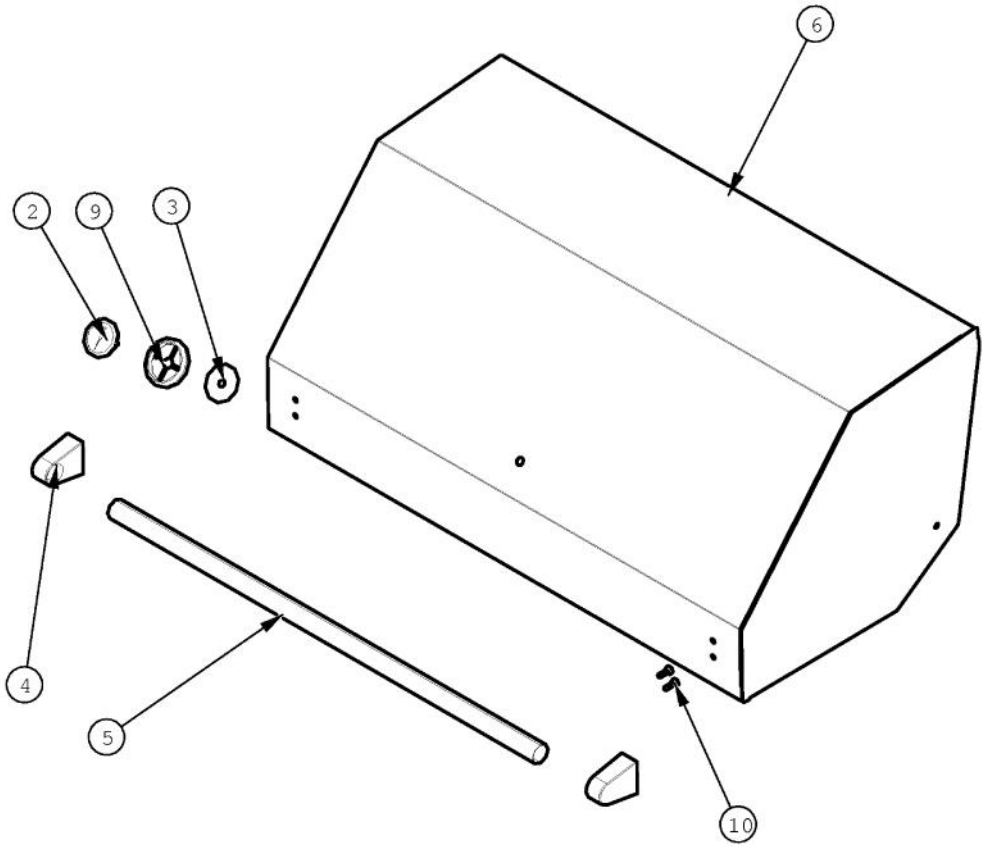


Ref #	Part Number	Qty.	Description
2	002369-000	2	REDESIGN BBQ GRATE - FULL
5	G3208947	1	IR BURNER ASSY
6	020055-000	4	SCR, DR, HXWH, 410SS, NPLT, 10-18 X 1/2
8	UNSERVICEABLE	1	OVEN CAVITY, ASM 36
9	023000-000	1	BURNER, GRL, ASM, U
10	032381-000	6	TRAY, CRMC, BRIQUETTE, ASM
15	034558-000	2	BRACKET, SPACER, BRIQUETTE IQ
18	B20015415	1	VGIB151/VGIQ COVER
19	B2005246	1	BURNER BOX SHIELD (PHASE 2)
20	B2008943	1	GREASE SCREEN
21	PB020114	3	FLASH TUBE (VGBQ3002T)
22	PB040288	3	SMOKER BURNER IGNITER
25	PE030197	1	VGIQ30 COVER HANDLE

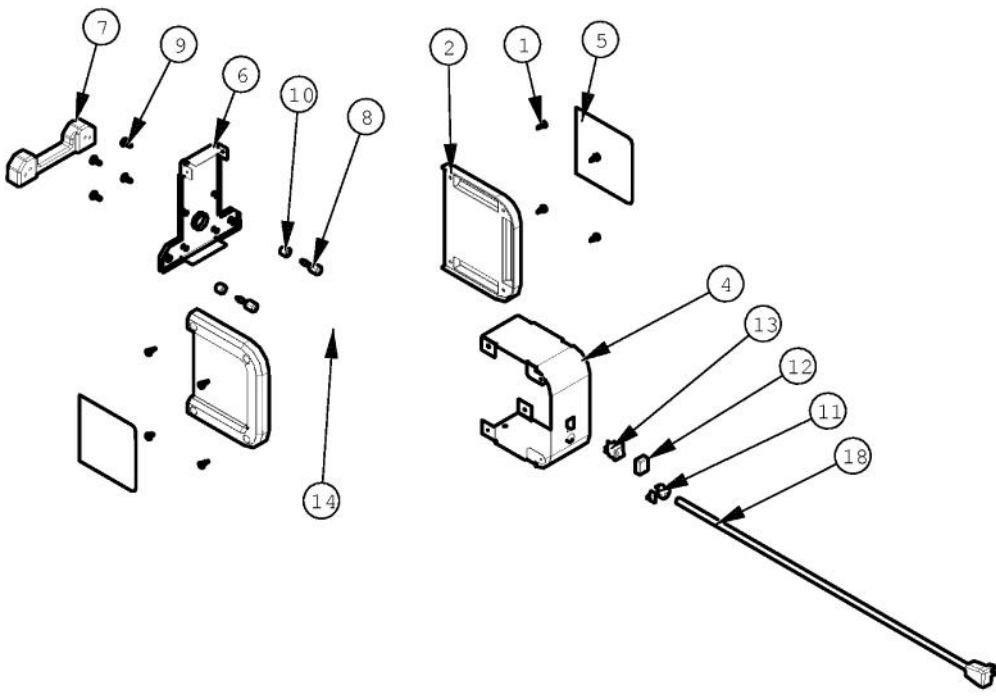


Ref #	Part Number	Qty.	Description
2	034082-000	2	120V HALOGEN LIGHT ASM
11	020037-000	4	SCR, DR, FCSKHP, 410 SS, NPLT, 8-18 X 3/4
12	020051-000	6	SCR, DR, PHLP,PNH, 410SS, NPLT, 10-16 X 1/2
13	PD020055	6	NO.10 X 1/2 PAN PHIL. TEK. SS
14	G3005289	1	BURNER,ASM,,ASM,IR,20
20	032513-000	1	WALL, GRILL, INNER, REAR 542
21	034141-000	1	SHIELD, TOP, GRILL, 42
22	034159-000	1	GRILL, CVR , REAR, 42
24	B20015401	1	FLEXIBLE IGNITOR STANDOFF
25	B20015402	1	I/R IGNITOR COVER LH
26	B20015403	1	IR IGNITOR BRACKET
27	B20015418	1	INSIDE WINDSHIELD RH
28	B20015419	1	INSIDE WINDSHIELD LH
29	B20015574	2	GRILL WINDSHIELD TRIM
30	B20015575	1	OUTSIDE WINDSHIELD - RH
31	B20015576	1	OUTSIDE WINDSHIELD-LH
32	B2005278	1	ROTISSERIE ROLLER BRACKET (PHASE 2)
33	B2005347	1	INFRARED FRAME
34	PB050060	1	I/R VENTURI (PHASE 2 BBQ)
35	PB040160	1	WOK IGNITER
36	PB040160	1	WOK IGNITER
37	PB060053	1	ROTIS SPIT ROD 41
38	032870-000	1	SHELF, BQ42, 304, SST
39	032881-000	2	FORK, RTSR
40	PB060112	1	WARMING RACK SUPPORT RH
41	PB060113	1	WARMING RACK SUPPORT LH
42	PB010210	1	FULL THERMOCOUPLE
43	PC020025	2	DRIP TRAY WHEEL
44	PC070024	1	ROTIS. GEAR BOX ASSY
46	PD020056	5	NO.10-24 X 1/2 PH.TR. M.S. SS
48	PD030048	1	THERMOCOUPLE NUT M08-VGBQ-8743300007
NI	034607-000	2	FASTENER, BOLT, 5/16 - 1-1/2

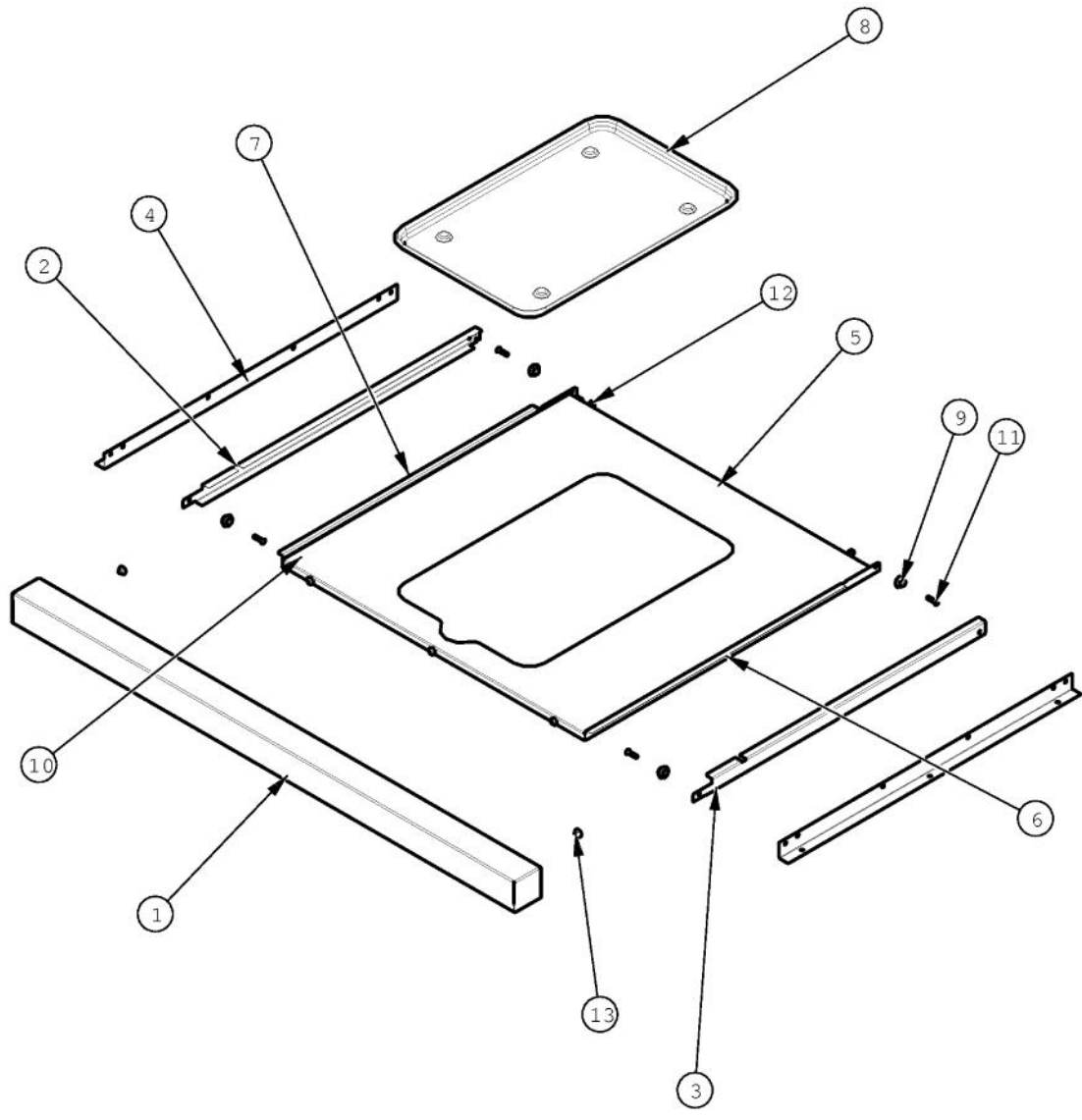




Ref #	Part Number	Qty.	Description
2	020659-000	1	GAUGE, BMTL, TEMPERATURE
3	026724-000	1	SPACER, WSHR
4	026965-000	2	END CAP, ASM, DOOR HANDLE
5	032436-000	1	HANDLE, HOOD, 542
6	032519-000	1	HOOD, WELD ASM, BQ542
9	PB010304	1	KNOB BEZEL
10	014221-000	4	1/4-20 X .625 HEX 316 SS
NI	036547-000	2	GROMMET, RECTANGLE RUBBER (USED ON CANOPY)



Ref #	Part Number	Qty.	Description
1	020051-000	8	SCR, DR, PHLP,PNH, 410SS, NPLT, 10-16 X 1/2
2	026550-000	1	ENDCAP, SPRT COVER
4	026554-000	1	BRACKET, ROTIS MAIN BODY
5	032600-000	1	PLATE, COVER, ENDCAP
6	032650-000	1	BRACKET, PNL, BACK, SUPPORT
7	PB060055	1	ROTISSERIE MOUNT CASTING
8	PD010090	2	ROTI FASTENER KNOB
9	PD020068	4	NO.10 - 32 X 1/2TRUSS. PHIL. M.XSSX
10	PD030064	2	CAPTURE NUT 1/4 NO.20
11	PD040044	1	SNAP THRU BUSHING 1/4DIA CORD
12	PE050046	1	ROTI SWITCH BOOT
13	PE050051	1	ROTI SWITCH
14	PE070184	1	ROTISSERIE MOTOR
18	PE070189	1	ELECTRICAL SUPPLY CORD - BBQ GRILL
NI	026553-000	1	MOTOR, ROTIS, ASM



Ref #	Part Number	Qty.	Description
1	032357-000	1	HANDLE, DRIP TRAY, 542
2	B20013593	1	DRIP TRAY SLIDE - LH
3	B20013594	1	DRIP TRAY SLIDE - RH
4	B2005213	2	DRIP TRAY GUIDE BRACKET (PHASE 2)
6	B2005316	1	DRIP TRAY RUNNER RH
7	B2005317	1	DRIP TRAY RUNNER LH (PHASE 2)
8	B2005310	1	DRIP TRAY 41 (VGBQ4103RT)
9	PC020025	4	DRIP TRAY WHEEL
10	PD020055	6	NO.10 X 1/2 PAN PHIL. TEK. SS
11	PD020082	4	10 X 24 COUNTERSUNK S.S. SCREW
12	PD030044	2	10-24 KEPS NUT SS
13	PD040004	2	GROMMET BUMPER
NI	PD020056	3	NO.10-24 X 1/2 PH.TR. M.S. SS

*No Image  
Available*

Ref #	Part Number	Qty.	Description
NI	033724-000	1	HARN, LED, GRILL 542
NI	026342-000	1	HARN, MAIN, 4103RE2
NI	G4006379	1	WIRE ASSY (VGBQ-T SERIES) 25
NI	G40016230	1	IGNITOR WIRE 40
NI	G40016227	1	IGNITOR WIRE 18
NI	025323-000	1	HARNESS, WIRE, ROTISSERIE
NI	G4000936	2	GROUND WIRE
NI	PE070036	7	TIE WRAP