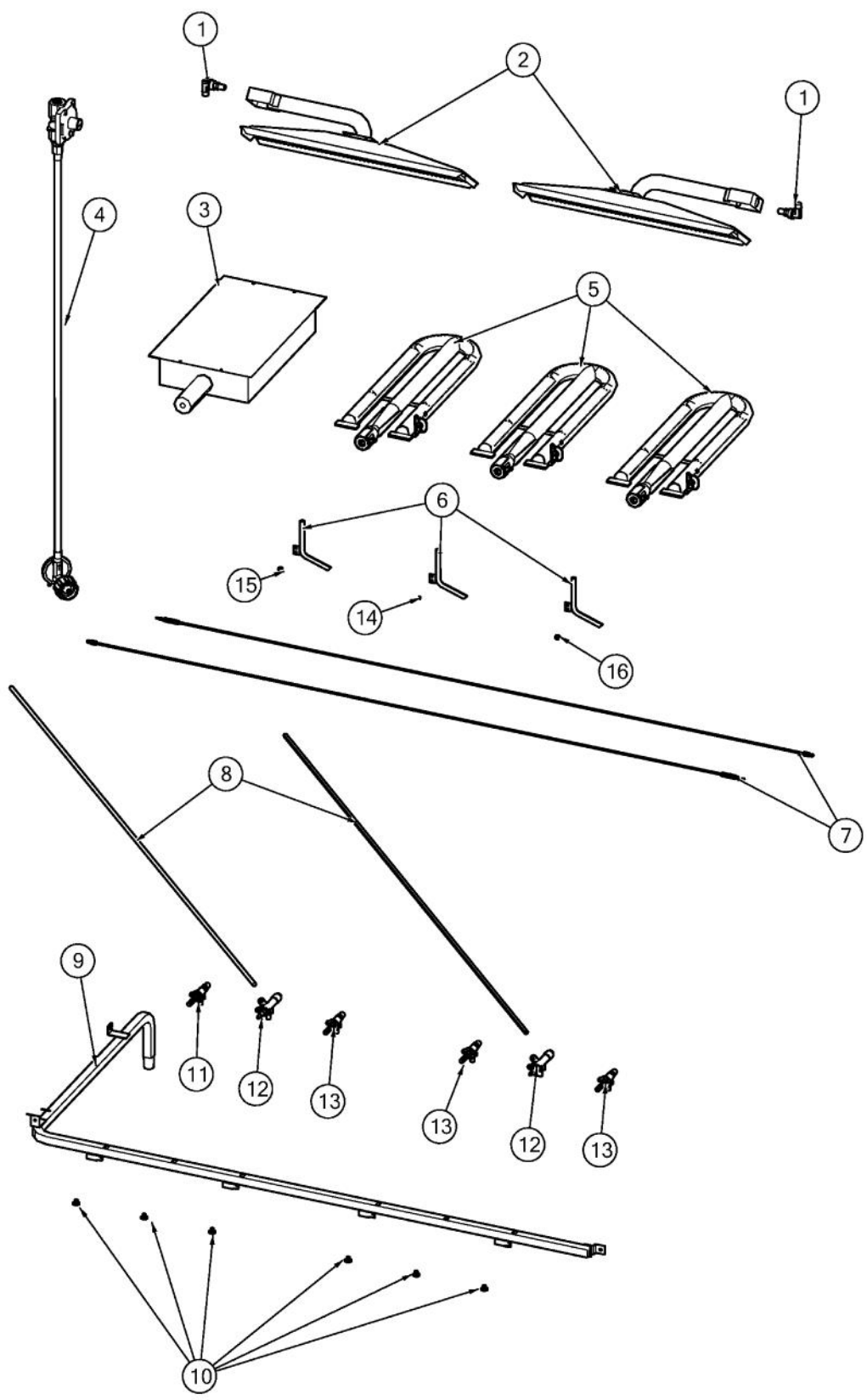
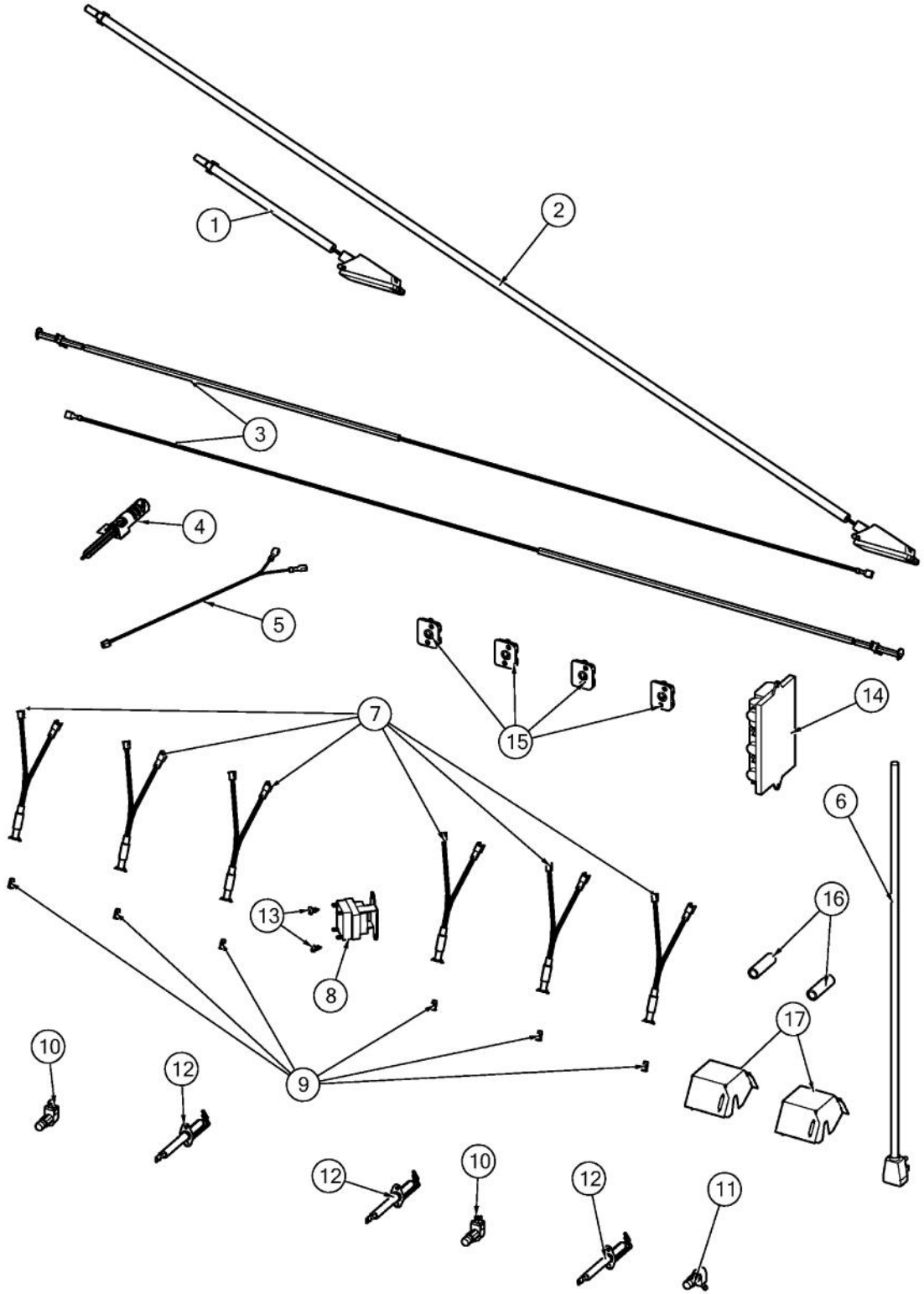


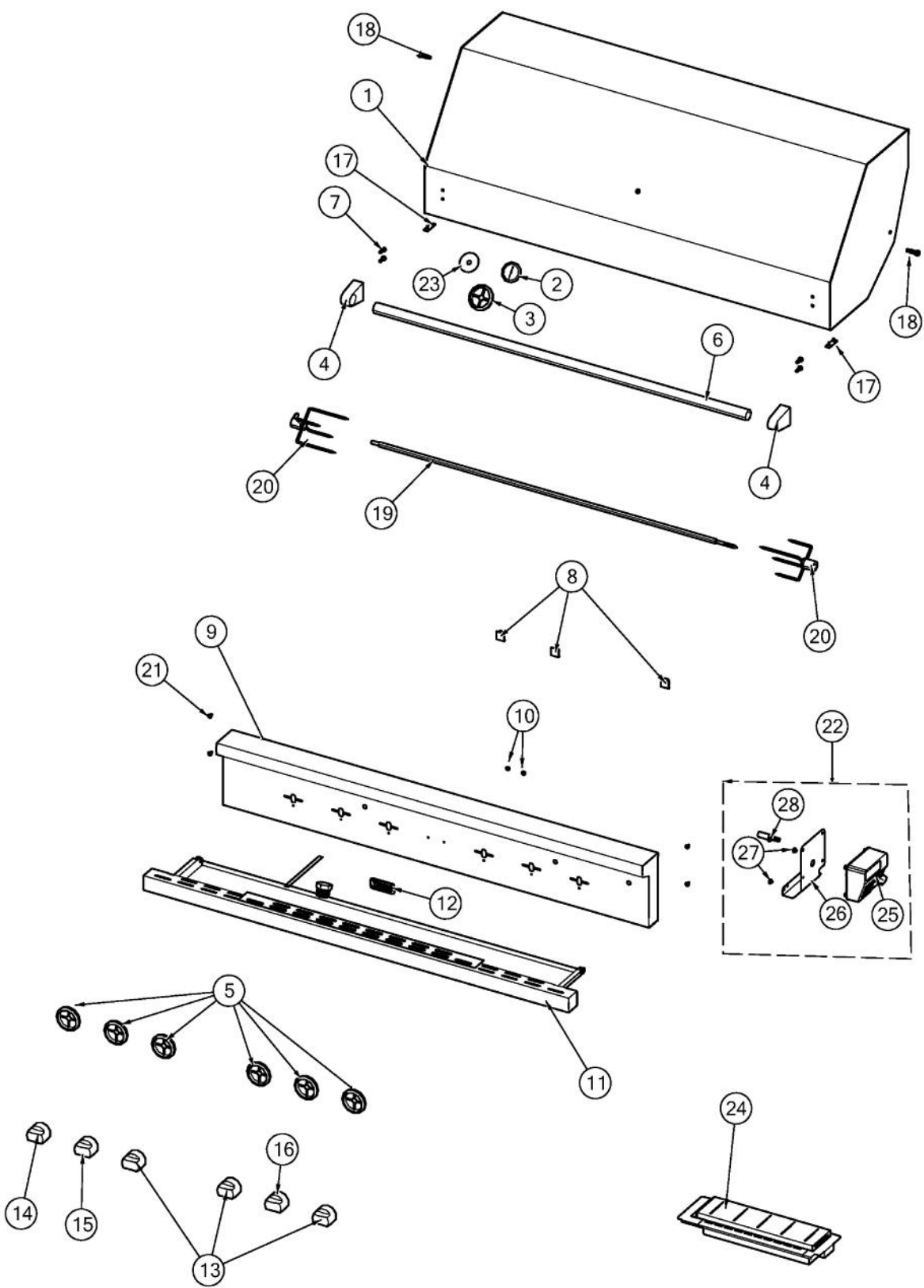
Ref #	Part Number	Qty.	Description
1	029434-000	4	GRATE, BQ GRILL
2	032370-000	6	TRAY, CRMC, BRIQUETTE, ASM
3	045448-000	1	PANEL, REAR, BQ
4	045737-000	1	BRACKET, BACK SUPPORT
5	045763-000	1	54 WARMING RACK
6	031598-000	2	HANGER, WARMING RACK
7	045447-000	1	BACKPLATE, BQ, INT
8	032239-000	3	BRACKET, REAR GRILL BURNER
9	045847-000	1	BOX, IQ, BURNER
10	029459-000	2	PANEL, LWR SIDE
11	047905-000	2	INNER HEAT SHIELD
12	045627-000	1	PANEL, SUPPORT, HEAT SHIELD
13	029461-000	3	BOX, U BURNER, 30
14	045626-000	1	PANEL, FRONT, HEAT SHIELD
15	046125-000	2	BRACKET, COVER, BURNER BOX, 42
16	035094-000	1	CHANNEL, WIRE
17	035606-000	3	FLUE DIVERTER, 30
18	045830-000	1	WINDSHIELD, BQ, ASM LH
19	045831-000	1	WINDSHIELD, BQ RH ASM W/ROTIS
20	040745-000	1	WINDSHIELD, BQ, IS, LH
21	040775-000	1	WINDSHIELD, BQ, OS, RH
22	037589-000	1	ROLLER, BRKT, ROTIS, ASM
23	031838-000	1	BRACKET, SUPPORT ROTIS BOX ASM
24	PC070024	1	ROTIS. GEAR BOX ASSY
25	PD040005	2	SNAP BUSHING - 7/8
26	047817-000	1	CERAMIC BURNER MOUNTING BRACKET
27	047017-000	1	BRACKET, MOUNTING, MODULE
28	PD040044	1	SNAP THRU BUSHING 1/4DIA CORD
29	002671-000	2	RUBBER DOOR BUMPER
30	007206-000	2	CANOPY, SPRING, ASSIST- LIGHT
31	007818-000	2	RETAINER, CANOPY SPRING
32	031544-000	1	GUIDE, DRIP TRAY, LH ASM
33	031551-000	1	GUIDE, DRIP TRAY, RH ASM
34	N/P	1	CABINET (NOT FIELD REPLACEABLE)
35	N/P	1	CABINET (NOT FIELD REPLACEABLE)
36	B2005347	2	INFRARED FRAME
37	029454-000	2	BRACKET, ROTIS IGNITOR, MTG
38	047078-000	1	COVER, ROTIS IGNITOR
39	029457-000	1	COVER, ROTIS IGNITOR
40	047818-000	1	IQ IGNITER COVER
41	037304-000	109	FASTENER, PNH, TORX, AB, PSVD, WAX
42	PD950013	2	LATCH PANEL ACCESS
43	PD020056	2	NO.10-24 X 1/2 PH.TR. M.S. SS



Ref #	Part Number	Qty.	Description
1	PB040125	2	ORIFICE FTG 90D 20IR NO.57 HD YELLOW
1	PB040124	2	90 DEG. ORIFICE FITTING
2	G3005289	2	BURNER,ASM,,ASM,IR,20
3	047028-000	1	CERAMIC BURNER
4	043214-000	1	REGULATOR, HOSE, LP ASSY
4	043217-000	1	REGULATOR, NAT ASSY
5	029479-000	4	U-BURNER, BQ ASM
6	PB020114	3	FLASH TUBE (VGBQ3002T)
7	042576-000	2	THERMOCOUPLE
8	046934-000	2	55 6/16 S.S. FLEX TUBING (T5-NF01-55)
9	045546-000	1	54 MANIFOLD
10	PD010012	6	VALVE BOLT 1/4-20 UNC-2B 5/16 M.S.
11	048118-000	1	IQ BURNER VALVE, LP
11	048117-000	1	IQ BURNER VALVE, NAT
12	038657-000	2	VALVE, RTSR, ASM, LP
12	038629-000	2	VALVE, RTSR, ASM, NAT
13	014953-000	3	VALVE, GAS, ASM, U BNR - LP
13	014952-000	3	VALVE, GAS, ASM, U BNR
14	037304-000	1	FASTENER, PNH, TORX, AB, PSVD, WAX
15	037304-000	1	FASTENER, PNH, TORX, AB, PSVD, WAX
16	037304-000	1	FASTENER, PNH, TORX, AB, PSVD, WAX



Ref #	Part Number	Qty.	Description
1	034082-000	1	120V HALOGEN LIGHT ASM
2	037496-000	1	LAMP, HALOGEN, ASM, OVEN 125VAC
3	048238-000	2	IGNITOR, GRILL, W/WIRE ASM
4	PB040170	1	BAKE IGNITION ELECTRODE
5	047027-000	2	HARNESS, LED, POWER
6	PE070189	1	ELECTRICAL SUPPLY CORD - BBQ GRILL
7	044929-000	6	LAMP, LED, 12VDC, WHITE, PLUG, RECEP, ASM
8	006021-000	1	SCE, PWR, LED, 12VAC
9	044350-000	6	LENS, COVER, LED, BLUE
10	PE050063	2	SPARKER SWITCH
11	PE050019	1	OVEN LIGHT SWITCH (VGSO166) 90-DEG.
12	PB040288	3	SMOKER BURNER IGNITER
13	037304-000	2	FASTENER, PNH, TORX, AB, PSVD, WAX
14	PA020048	1	INVENSYS 0+6 RE-IGNITION SPARK MODULE
15	PA020045	4	IGNITOR SWITCH
16	039137-000	2	TUBING, INSUL, GAS IGNITOR
17	033701-000	2	COVER, VALVE
NI	046679-000	1	54 WIRE HARNESS?
NI	035561-000	1	WIRE, IGNITOR, GRILL 8
NI	035565-000	1	WIRE, IGNITOR, GRILL 12
NI	036452-000	1	WIRE ASM, IGNITER, 21
NI	G4001648	1	SPARK IGNITER WIRE (22)
NI	048317-000	2	ROTISS, IGNITOR, EXTENSION
NI	034992-000	4	TIE, NYLON CABLE



Ref #	Part Number	Qty.	Description
1	045637-000	1	HOOD
2	020659-000	1	GAUGE, BMTL, TEMPERATURE
3	PB010304	1	KNOB BEZEL
4	026965-000	2	END CAP, ASM, DOOR HANDLE
5	PB010304	7	KNOB BEZEL
6	045480-000	1	54 CANOPY HANDLE
7	PD020069	4	CAP SCREW 1/4-20 X 3/4 SS
8	M0104106	3	CLIP-CORD VM0104106
9	047019-2633	1	CONTROL PANEL ASM, W/GRAPHICS 54 VGIQ
10	PD030006	2	CAPPED WASHER PAL NUT
11	045726-000	1	DRIP TRAY ASM, BQ, 54
12	PE010142	1	3 LOGO XBKXXCHROME
13	035901-000	3	KNOB,GRL,WOK,PRO CR3
14	035902-000	1	KNOB,IR,PRO CR3
15	038435-000	1	KNOB, ROTISS, PRO, CR3
16	038435-000	1	KNOB, ROTISS, PRO, CR3
17	036547-000	2	GROMMET, RECTANGLE RUBBER
18	034607-000	2	FASTENER, BOLT, 5/16 - 1-1/2
19	045828-000	1	54 SPIT ROD
20	032881-000	2	FORK, RTSR
21	014143-000	4	SCR 10-12 A SHLD TRP 1/2 S ZN BLUE
22	043708-000	1	GRILL, MOT, MT, 304, RTSR ASSY
23	026724-000	1	SPACER, WSHR
24	045515-000	1	SMOKER BOX ASSY
25	032461-000	1	MOTOR, ROTIS
26	043284-000	1	ROTIS MOTOR BRACKET
27	PD040004	2	GROMMET BUMPER
28	037377-000	1	ADAPTER, HEX, ROTISSERIE MOTOR ADAPTER