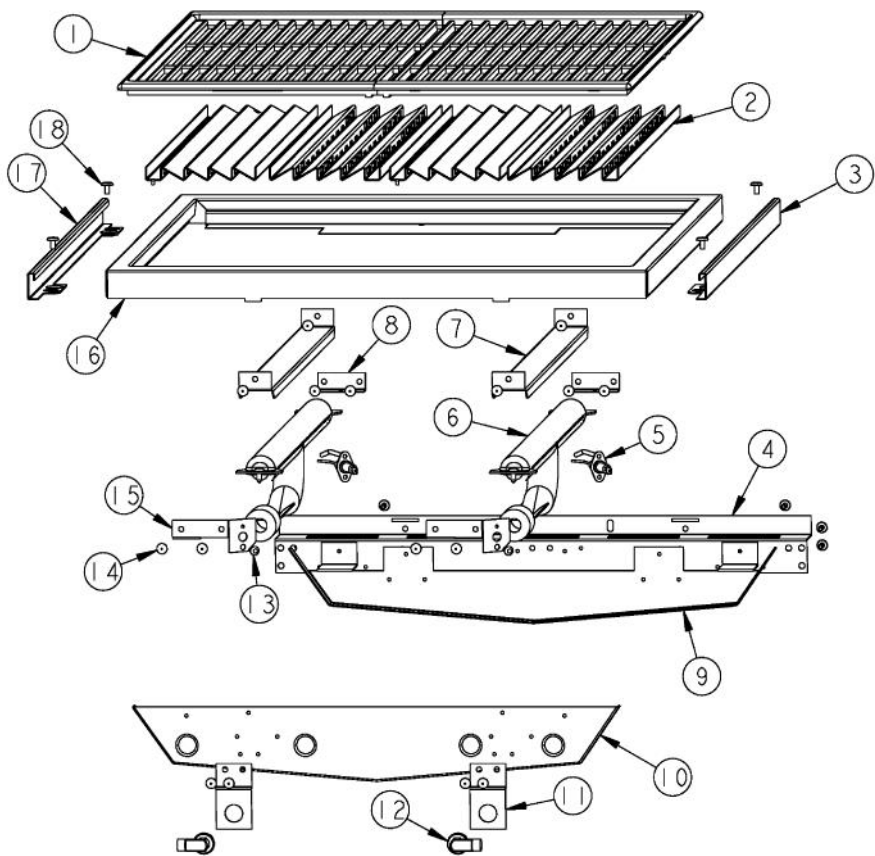
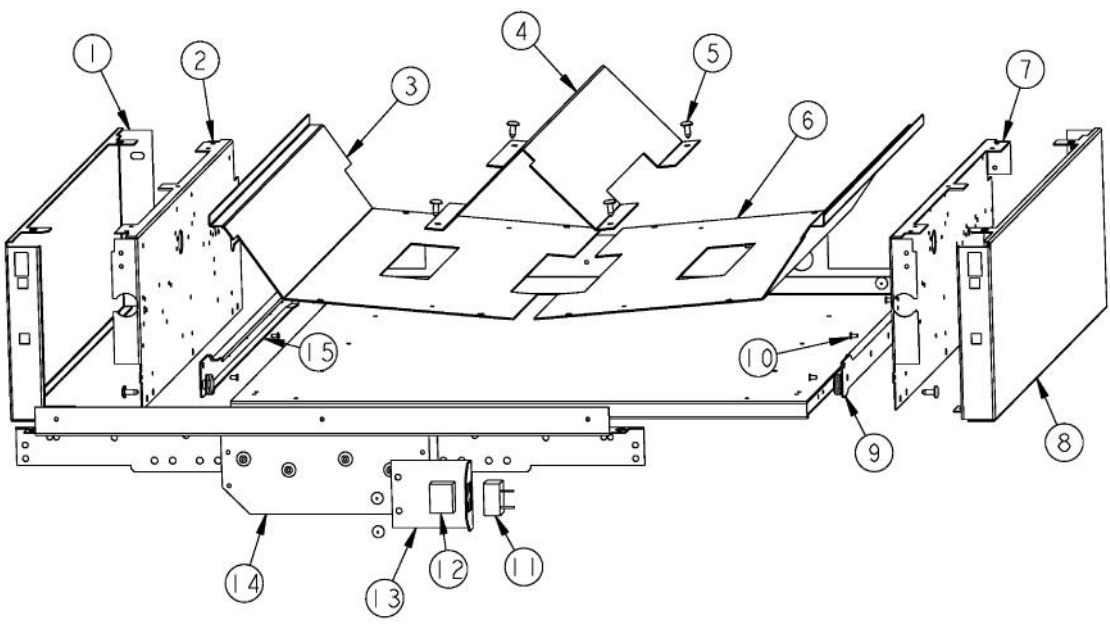


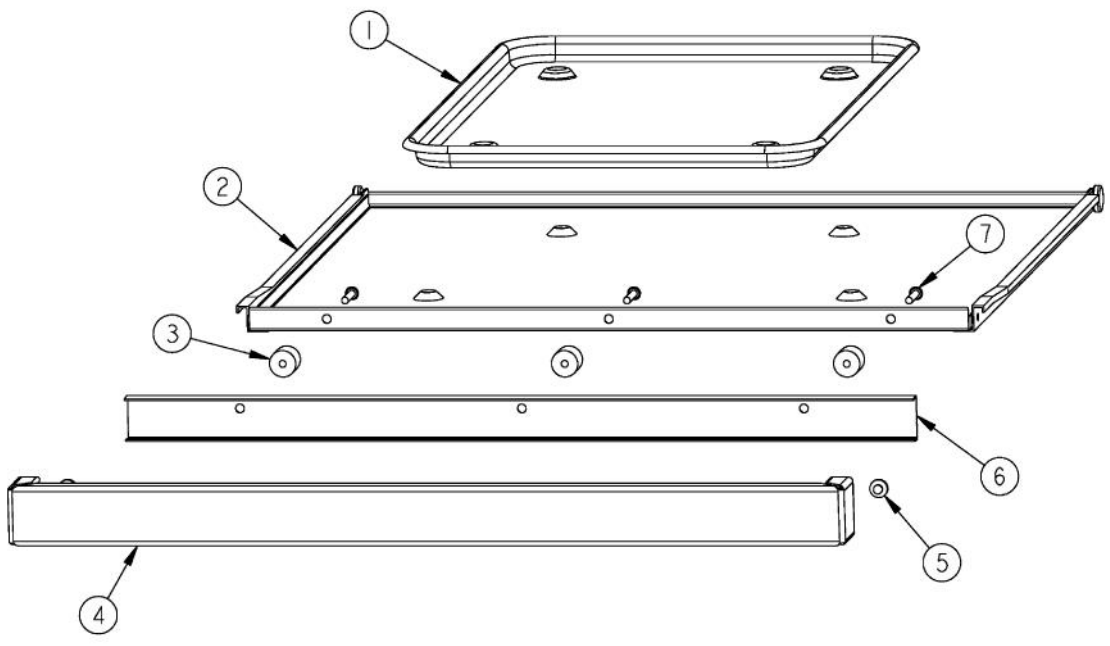
Ref #	Part Number	Qty.	Description
1	PK010153		240 WOK LANDING LEDGE ASSY
2	PA070001		PRESSURE REGULATOR (NAT.)
3	PA010012		ROPER PLUG
4	PA050112		UNIVERSAL 24 MANIFOLD
5	PA020058		IRIS SINGLE SPARK MODULE
6	PD010003		10-24 X 1/2 PH.TR.HD.SERD.M.S.
7	PA010159		SUB TO 003536-000 - RANGE GRILL VALVE
8	PD020002		10 X 1/2 PH.TR.HD.SMS.
9	A1001138		MANIFOLD BRKT
10	PD030006		CAPPED WASHER PAL NUT
11	PD030005		SELF RETAINING NUT
12	PD020033		SRW-NO.10-24X1/2T(23)PH.WFR HD (NKL)
13	PB010208		BEZEL, CHROME PLATE
NI	PB010209		BEZEL BRASS
14	PD020067		NO.6 X 3/8 PAN PHIL. TEK SS
15	PA010122		VGRC/IC/RT GRILL KNOB (BK)
NI	PA010123		VGRC/IC/RT GRILL KNOB (WH)
16	PE010142		3 LOGO XBKXXCHROME
NI	PE010143		3 LOGO BK/BR
NI	PE010144		3 LOGO XWHXCHROME
NI	PE010145		LOGO - WH / BR
17	B9209532		CONTROL PANEL VGQT240
NI	C9209532AL		CONTROL PANEL VGQT240 XALX SILK SCR
NI	C9209532BK		CONTROL PANEL VGQT240 XBKX SILK SCR.
NI	C9209532BT		CONTROL PANEL VGQT240 XBTX SILK SCR
NI	C9209532BU		CONTROL PANEL VGQT240 XBUX SILK SCR
NI	C9209532CB		CONTROL PANEL VGQT240 XCBX SILK SCR
NI	C9209532EP		CONTROL PANEL VGQT240 XEPX SILK SCR
NI	C9209532FG		CONTROL PANEL VGQT240 XFGX SILK SCR
NI	C9209532GG		CONTROL PANEL VGQT240 XGGX SILK SCR
NI	C9209532LE		CONTROL PANEL VGQT240 XLEX SILK SCR
NI	C9209532MJ		CONTROL PANEL VGQT240 XMJX SILK SCR
NI	C9209532SG		CONTROL PANEL VGQT240 XSGX SILK SCR
NI	C9209532VB		CONTROL PANEL VGQT240 XVBX SILK SCR
NI	C9209532WH		CONTROL PANEL, VGQT240 XWHX SILK SCR.
18	PD010012		VALVE BOLT 1/4-20 UNC-2B 5/16 M.S.



Ref #	Part Number	Qty.	Description
1	PA060080		24 GRILL GRATE XBLACKX
2	E9101130BK		GRILL SMOKE GENERATOR
3	B2009771		GRATE SUPPORT TRIM, 24 RANGE TOP RH
NI	C9309771BR		GRATE SUPPORT TRIM, 24 RANGE TOP RH XBRX
4	A2007672		REAR BURNER SUPPORT, VGIC245
5	PB040160		WOK IGNITER
6	PB050077		GRILL BURNER
7	B2008484		24 GRILL FLAME SHIELD
8	A2008480		24 GRILL REAR BURNER SUPT BRKT
9	A20010490		VGQT BURNER BOX BACK
10	A20010489		VGQT BURNER BOX FRONT
11	A2008481		24 GRILL ORIFICE BRACKET
12	PB040190		90 DEGREE ORIFICE FITTING NO.50 NAT
13	PD020004		10X3/8PH.HD.TYPE 25 REPL PD040125
14	PD020002		10 X 1/2 PH.TR.HD.SMS.
15	A2009781		GRILL BURNER BRACKET
16	G9109751BK		GRATE SUPT ASSY, VGIC245Q
NI	G9109751WH		GRATE SUPT ASSY, VGIC245Q (WH)
17	B2009770		GRATE SUPPORT TRIM, 24 RANGE TOP LH
NI	C9309770BR		GRATE SUPPORT TRIM, 24 RANGE TOP LH XBRX
18	PD020033		SRW-NO.10-24X1/2T(23)PH.WFR HD (NKL)
NI	E2009545		FLAVOR GENERATOR SUPT (VGIC245Q)

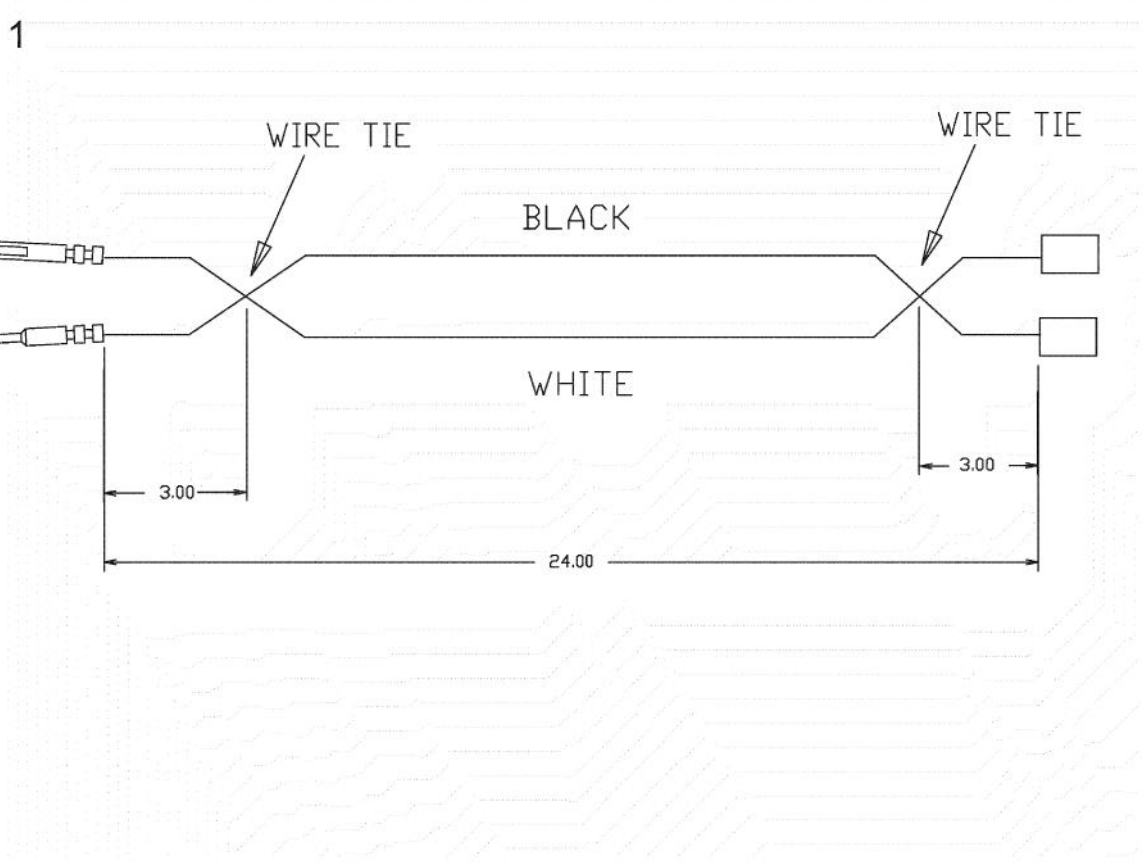


Ref #	Part Number	Qty.	Description
1	B2001920		SIDE PANEL-LH (VGRT)
2	A2001912		BURNER BOX SIDE LH
3	A20010491		VGQT BURNER BOX LH
4	B2008483		24 GRILL DRIP COVER
5	PD020002		10 X 1/2 PH.TR.HD.SMS.
6	A20010492		VGQT BURNER BOX RH
7	A2001911		BURNER BOX SIDE RH
8	B2001919		SIDE PANEL-RH (VGRT)
9	PK000008		DRIP TRAY GUIDE - RH
10	PC040010		POP RIVET
11	000573-000		POWER JUMPER WIRE
12	PE070071		DISCONNECT BLOCK XALX 770027-1
13	A20010487		SERVICE DISCONNECT BRACKET VGQT240
14	A2009542		FRONT SUPPORT (VGIC245Q)
15	PK000007		DRIP TRAY GUIDE - LH (VGRT)

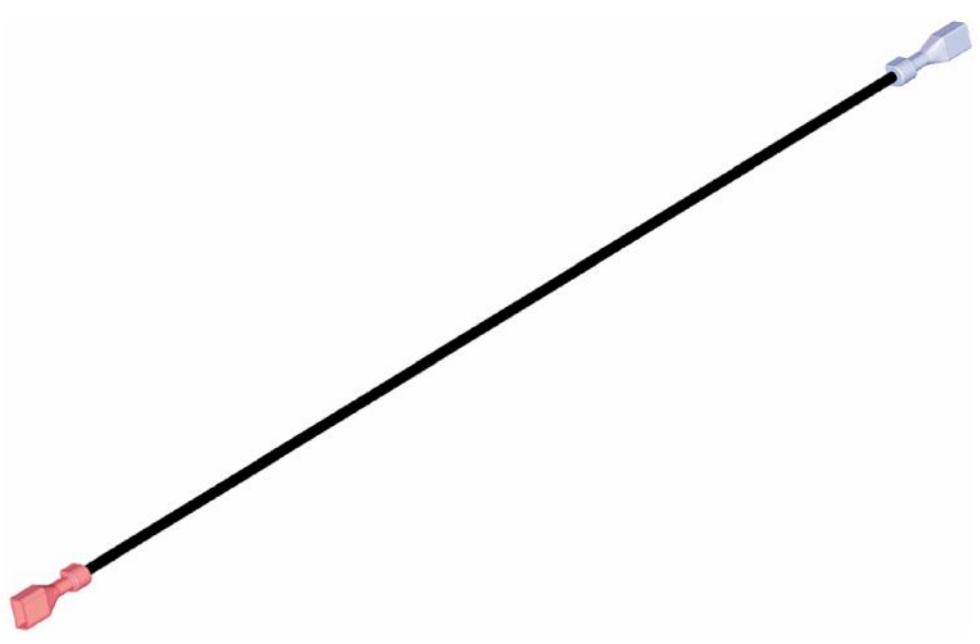


Ref #	Part Number	Qty.	Description
1	PB080061		GREASE PAN
2	G30012979		24 DRIP TRAY ASSY
3	PD040028		BUSHING(.194ID/.750OD/.750LONG)
4	G3009528		DRIP TRAY HANDLE ASSY 24
NI	G9309533PVD		DRIP TRAY HANDLE ASSY. 24 BRASS
5	PD040004		GROMMET BUMPER
6	B2009527		VGIC245G DRIP TRAY HANDLE BACK
7	PD020079		NO.10 X 1 1/4 PH. PAN HD. T(A) NYLOK





Ref #	Part Number	Qty.	Description
1	000837-000		VGRT SUPPLY CORD JUMPER (BEFORE 10/4/11)
1	027347-000		SUPPLY CORD JUMPER (ON OR AFTER 10/4/11)



Ref #	Part Number	Qty.	Description
1	002664-000		IGNITOR WIRE, VGQT240