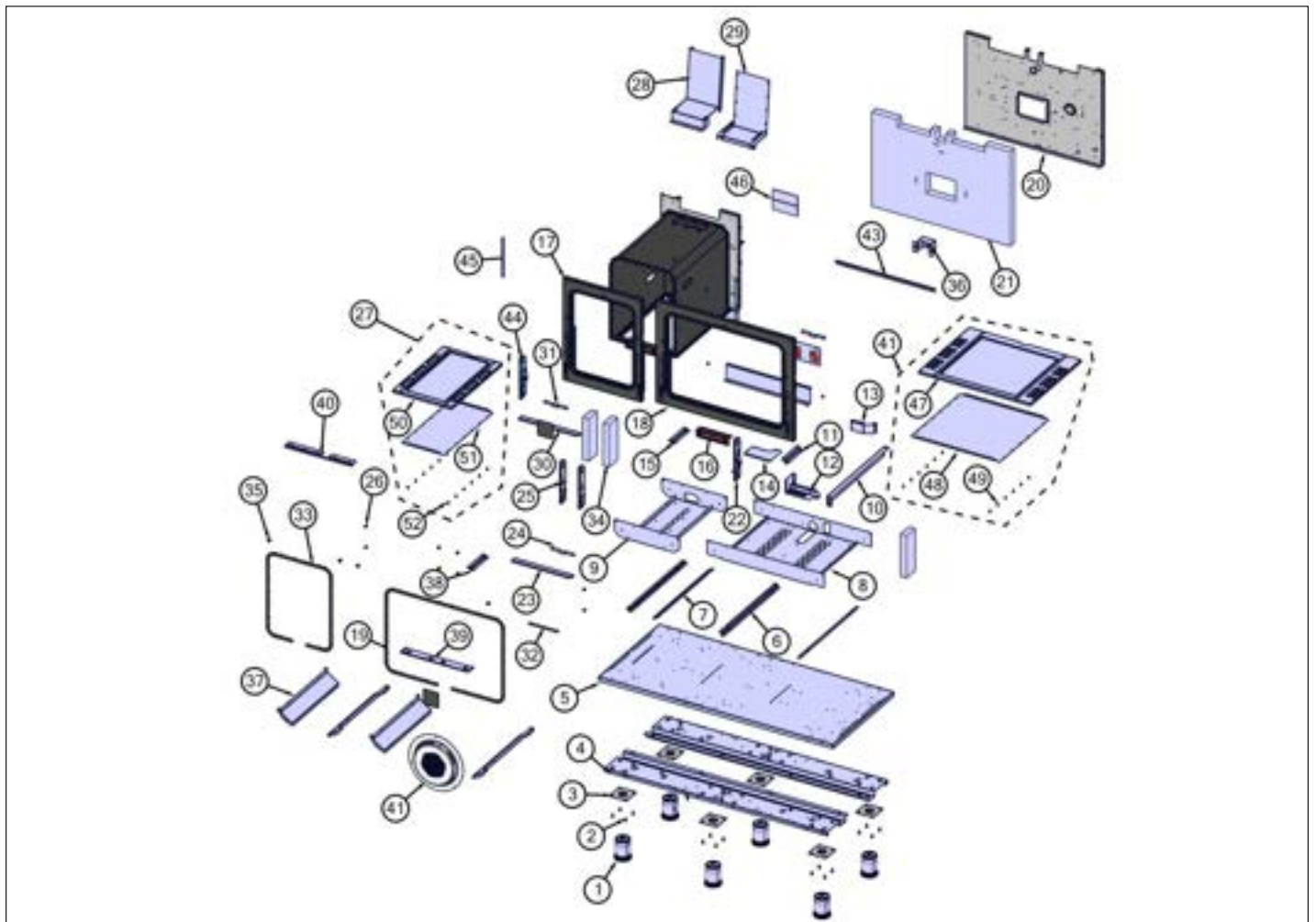


**VGR5488BSS02**

Base View .....	1
Rear View .....	2
Gas Asm View .....	3
Surface Cooking View .....	4
Control View .....	5
Decor View .....	6
Wiring View .....	7
Left Door View .....	8
Right Door View .....	9
Appendix A:Pages Index .....	A
Appendix B:Parts Index .....	B

Base View





Item	Part No.	Name	Qty	Uom	NOTES
1	044178-000	RANGE, LEG, ADJUSTABLE	6	EA	
2	003860-000	10-18 x .500 FASTNR,SCR,HXWH,STL,ZPLT	76	EA	
3	PC030007	LEG PLATE - 3/4" THREADED HOLE	6	EA	
4	047055-000	BRACKET, LEG, OFFSET (NON- SERVICEABLE PART)	2	EA	
5	043907-000	BASE, BOT, 48" GAS (NON- SERVICEABLE PART)	1	EA	
6	A2004429	OVEN BOTTOM INSUL. BRACE (VGSC306)	2	EA	
7	047065-000	BRACE, BTM, INSUL, RETAINER	2	EA	
8	044513-000	OVEN, CVTY, BTM, 30"	1	EA	
9	046361-000	BRACE, BOT, LH, CAVITY 18"	1	EA	
10	058346-000	BRACKET, SWITCH, DISCONNECT	1	EA	
11	050794-000	BRACKET, HOLD-DOWN, BOX, FIRE	1	EA	
12	058363-000	SHIELD, SWITCH, DISCONNECT	1	EA	
13	058397-000	SHIELD, DISCONNECT, REAR	1	EA	
14	058399-000	SHIELD, DISCONNECT, TOP	1	EA	
15	055025-000	BRACKET, HOLD-DOWN, BOX, FIRE, 18"	1	EA	
16	059489-000	CLIP, GSKT	2	EA	
ni	PD020033	SRW-#10-24X1/2"(23)PH.WFR HD (NKL)	2	EA	
Not Shown	NOTE	(TO SECURE GASKET CLIP TO UNIT)		EA	
17	045736-402	FRAME, FR, WELDMENT, 18" BK	1	EA	
18	045666-402	FRAME, FR, WELDMENT, 30" BK	1	EA	
19	044793-000	GASKET, LINER, ASM, AG 30"	1	EA	
20	049500-000	PANEL, INSL, BACK, 30"	1	EA	
21	005466-000	INSULATION, BACK, 30" GSC	1	EA	
22	054057-000	RECEIVER, HINGE, SLOW- CLOSE, DAMPENED	1	EA	
23	031445-402	BRACE, OVEN, BOTTOM, BACK W/BK PORC	1	EA	

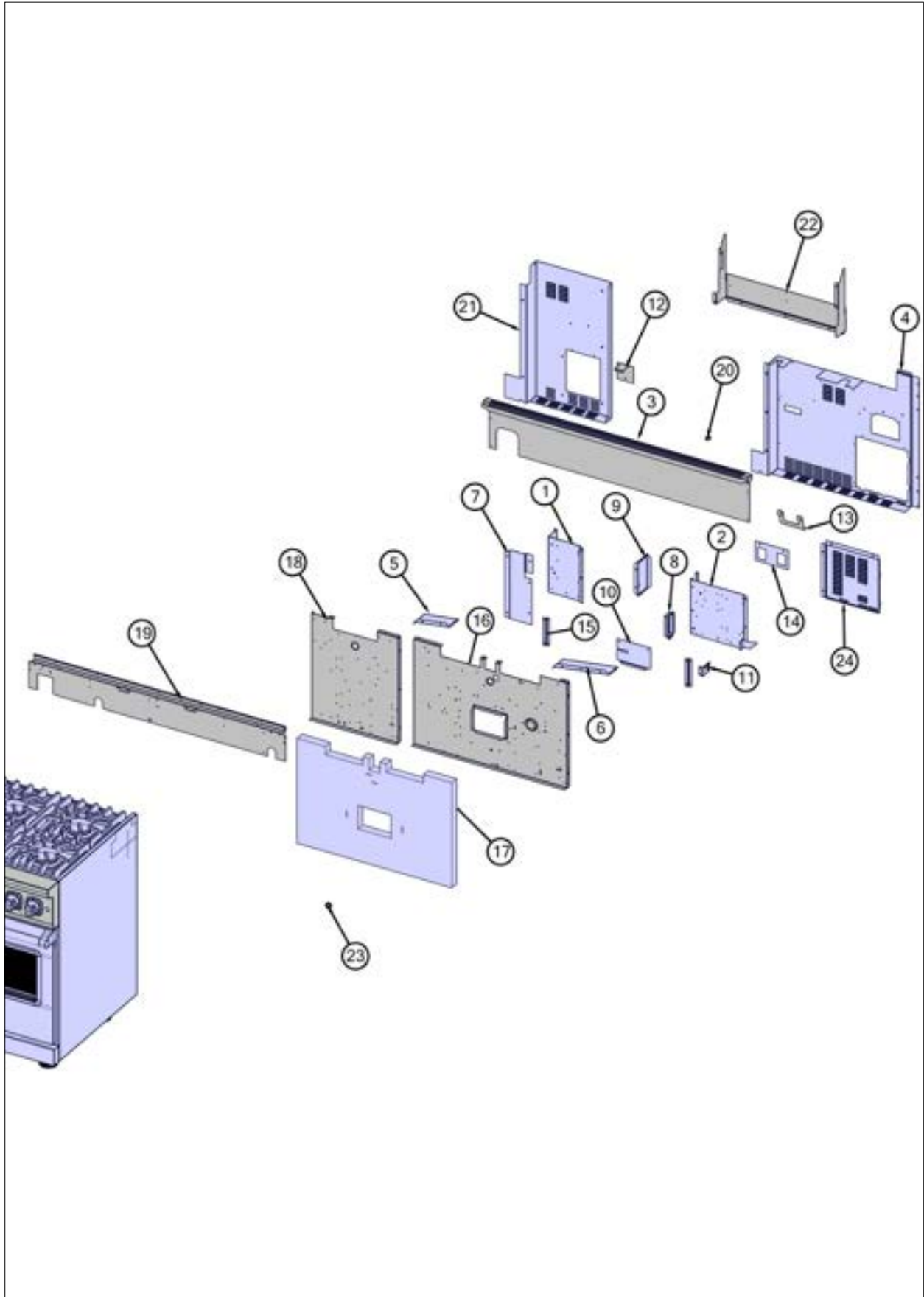


Item	Part No.	Name	Qty	Uom	NOTES
24	A2004428	REAR BOTTOM BRCKT (VGSC306)	1	EA	
25	045060-000	RECEIVER, HINGE, SLOW- CLOSE, UNDAMPENED	2	EA	
26	046651-000	SCREW, TRILOBE, 10-32, TRUSS, PH, BLACK	8	EA	
27	066212-000	ASM, BOTTOM, CAVITY, OVEN, GAS, 18"	1	EA	
28	005944-000	VENT, TOP	2	EA	
29	005945-000	VENT, BOTTOM	2	EA	
30	031445-402	BRACE, OVEN, BOTTOM, BACK W/BK PORC	1	EA	
31	A2004428	REAR BOTTOM BRCKT (VGSC306)	1	EA	
32	045034-000	BRACKET, WASHER	2	EA	
33	046128-000	GASKET, LINER, ASM, AG, 18"	1	EA	
34	046677-000	INSULATION, FBGL, RECEIVER, DAMPENING	4	EA	
35	043800-000	BUMPER, RBR, BLK	4	EA	
36	040736-000	BRKT, ORF	2	EA	
37	014747-000	BRACKET, BNR, SIDE, PORCELAIN	4	EA	
38	055025-000	BRACKET, HOLD-DOWN, BOX, FIRE, 18"	1	EA	
39	020409-000	BRACKET, SPRT, FR, I/R BROILER	1	EA	
40	020412-000	BRACKET, SPRT, REAR, I/R BROILER	1	EA	
41	013580-402	CONV COVER W/BK PORC	1	EA	
42	066203-000	ASM, BOTTOM, CAVITY, OVEN, GAS, 30"	1	EA	
43	050267-000	BRACKET, SUPPORT, BOTTOM, OVEN, 30"/36"	1	EA	
44	057805-000	RECEIVER, HINGE, NUOVA STAR, DAMPENED	1	EA	
45	049609-000	GASKET, FOAM	1ft	EA	
46	004285-000	INSULATION, FOIL- BACKED, 4"x5"	1	EA	
47	G9104438BK	OVEN, BOTTOM, ASM, PORCELAIN, BK	1	EA	



Item	Part No.	Name	Qty	Uom	NOTES
Not Shown	NOTE	(MUST ORDER ITEM 42)		EA	
48	A2004439	OVEN BOTTOM SHIELD (VGSC306)	1	EA	
49	008026-000	#6-20 HEX WASHER SS SCREW	12	EA	
50	G9105587BK	OVEN BOTTOM, ASM BK	1	EA	
Not Shown	NOTE	(MUST ORDER ITEM 27)		EA	
51	A2005586	OVEN BOTTOM PAN ASSY 48LH	1	EA	
52	008026-000	#6-20 HEX WASHER SS SCREW	12	EA	
NI	PB070074	TRS-10 3" X 20" X 45' INSULATION (SELF-CLEAN)	2	EA	
NI	046595-000	WASHER, FIBER, BLACK	10	EA	
NI	016673-402	FILLER PLUG W/BK PORC	1	EA	

Rear View

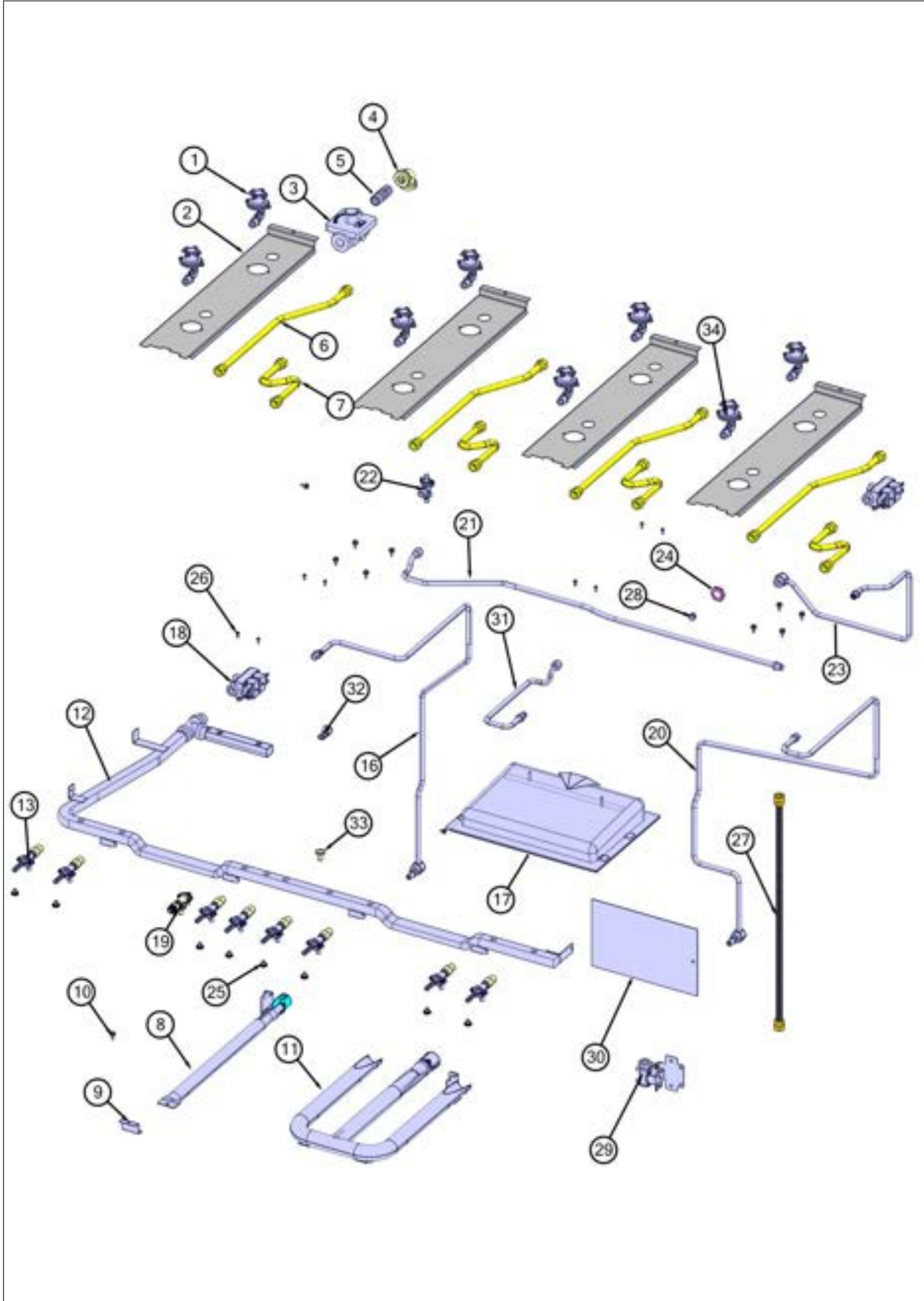




Item	Part No.	Name	Qty	Uom	NOTES
1	059025-000	PNL, TRAY, MOUNT, ELECTRONICS, 18"	1	EA	
2	059024-000	PNL, TRAY, MOUNT, ELECTRONICS	1	EA	
3	062402-000	TRIM, IS, WELD, ASM, 48"	1	EA	
4	057905-000	CABINET BRACKET	1	EA	
5	058356-000	SHIELD, DIVERTER, WATER, VGR548, LH	1	EA	
6	058355-000	SHIELD, DIVERTER, WATER, VGR5	1	EA	
7	058853-000	PANEL, BRIDGE, REAR, VGR548	1	EA	
8	059145-000	COVER, MOUNT, DSI	1	EA	
9	058839-000	PANEL, DIVIDER, WIRE	1	EA	
10	043746-000	PNL, ACCESS, W/HEYCO	1	EA	
11	033668-000	BRACKET, DISCONNECT	1	EA	
12	A2002654	ANTI-TIP DEVICE (VDSC)	1	EA	
13	034928-000	BRACKET, HOOK, ANTI-TIP	1	EA	
14	034927-000	BRACKET, ANTI-TIP	1	EA	
15	059045-000	BRACKET, MOUNTING, OFFSET, DSI	2	EA	
16	049500-000	PANEL, INSL, BACK, 30"	1	EA	
17	005466-000	INSULATION, BACK, 30" GSC	1	EA	
18	042875-000	PANEL, INSL, BACK, 18"	1	EA	
19	008609-000	SUPPORT, BACK	1	EA	
20	PE070069	STRAIGHT-THRU BUSHING	2	EA	
21	058295-000	COVER, REAR, LH, 18", VGR548	1	EA	
22	060474-000	ASM, COVER, BACK, TOP, 30"	1	EA	
23	PD040005	SNAP BUSHING - 7/8"	1	EA	
24	059056-000	PANEL, ACCESS, DSI	1	EA	



Gas Asm View



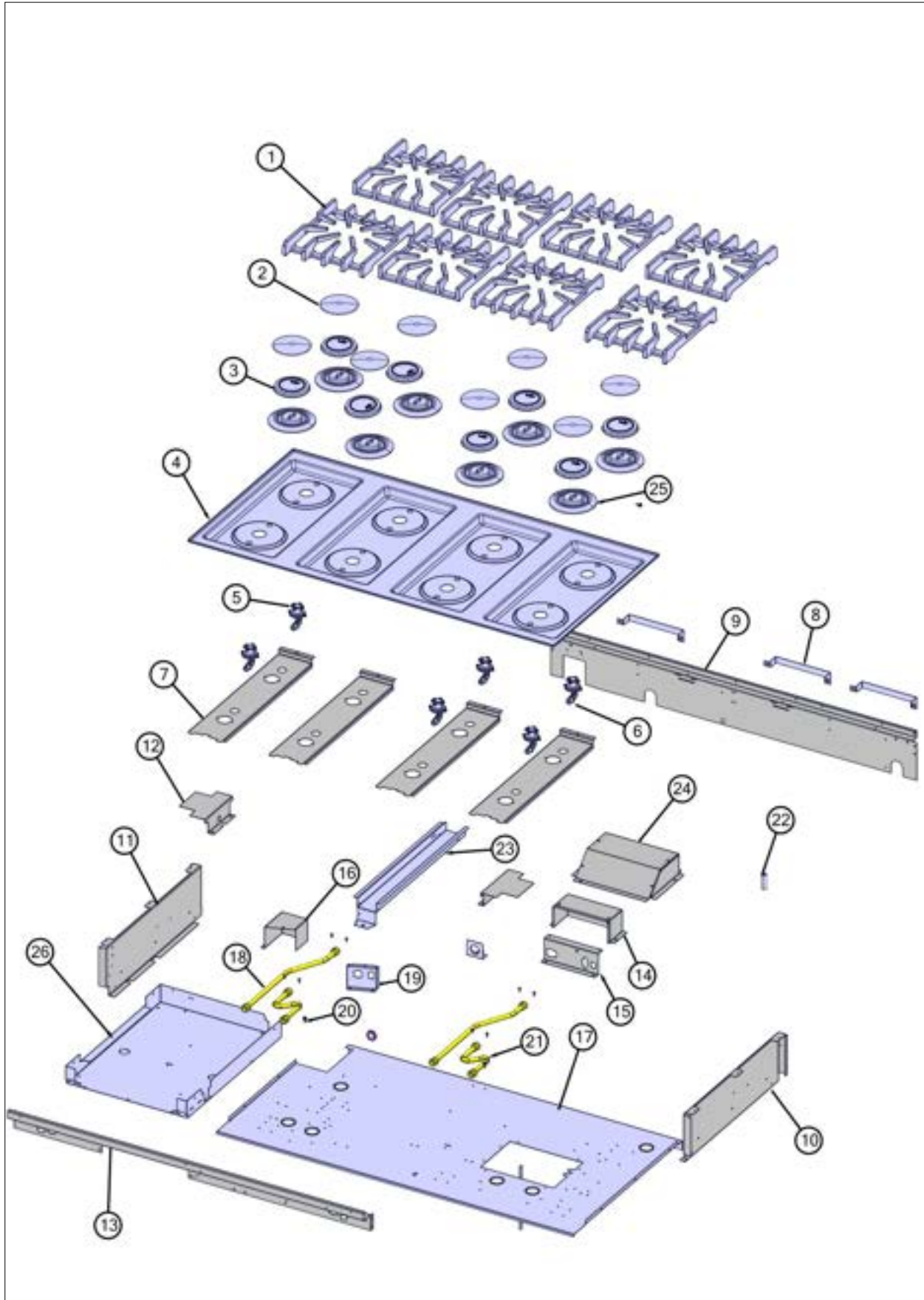


Item	Part No.	Name	Qty	Uom	NOTES
1	066197-042	15000 BTU NAT JETHOLDER	7	EA	
1	001394-046	12.5 K BTU LP JETHOLDER	7	EA	
2	002923-000	BURNER MODULE SUPPORT	4	EA	
3	PA070003	PRESSURE REGULATOR (NAT.)	1	EA	
3	013386-000	LP PRESSURE REGULATOR	1	EA	
4	PB040053	1/2" 90 DEG, ELBOW	1	EA	
5	027915-000	NIPPLE, PIPE, 2"	1	EA	
6	PB020193	16" FLEX TUBING W/CONNECTORS	1	EA	
7	PB020192	10" FLEX TUBING W/CONNECTORS	1	EA	
8	044039-000	BURNER, BAKE, ASM, 18" STRAIGHT	1	EA	
8	044041-000	BURNER ASSY, 8" REAR SPARK- LP	1	EA	
9	B2004415	BURNER BRACKET (VGSC306)	1	EA	
10	003860-000	10-18 x .500 FASTNR,SCR,HXWH,STL,ZPLT	12	EA	
11	044096-000	BURNER, BAKE, ASM, 30"	1	EA	
11	044246-000	BURNER, BAKE, ASM, 30"- LP	1	EA	
12	012793-000	MANIFOLD,ASM,48" 6G	1	EA	
13	061230-000	VALVE, BRS, ASM, TOP, BURNER, FLRE, FTG, 5/8-18 UNF	8	EA	
16	058145-000	TUBING, 18" OVEN ASSY, NAT	1	EA	
16	058158-000	TUBING, 18" OVEN ASSY, LP	1	EA	
17	g3001876	IR BURNER ASSY (VGSC/RC) N/S	1	EA	
18	009112-000	VALVE, SOL, DOUBLE	2	EA	
19	013320-000	VALVE, SHUTOFF, 90 DEGREE	1	EA	
20	058142-000	TUBING, MAIN, 48" OVEN ASSY, NAT	1	EA	
20	058157-000	TUBING, MAIN, 48" OVEN ASSY, LP	1	EA	
21	011570-000	TUBING, VALVE TO VALVE ASSY	1	EA	
22	007147-000	SHUT OFF VALVE	1	EA	



Item	Part No.	Name	Qty	Uom	NOTES
23	058141-000	TUBING, VALVE TO BROIL ASSY	1	EA	
24	PD030018	PALNUT - 3/4-16	1	EA	
25	PD010012	VALVE BOLT 1/4-20 UNC-2B 5/16" M.S.	8	EA	
26	PD020076	6-32 X 3/8" PHILL PAN MS	4	EA	
27	007726-000	21" FLEX TUBING W/CONNECTORS	1	EA	
28	PB040040	ORIFICE-IR BURNER (VGSC) (NAT #47)	1	EA	
28	PB040027	IR BUR.SPUD ORF. - #56 LP	1	EA	
29	009111-000	VALVE, SOL, SINGLE	1	EA	
30	007815-000	SHIELD, HEAT, SOLENOID	1	EA	
31	058894-000	TUBING, VALVE TO MANIFOLD, VGR5488B	1	EA	
32	PD030118	INSULATED CLAMP	1	EA	
33	002884-000	MANIFOLD PLUG	1	EA	
34	066197-041	18500 BTU NAT JETHOLDER	1	EA	
34	066197-044	16.6 K BTU LP JETHOLDER	1	EA	

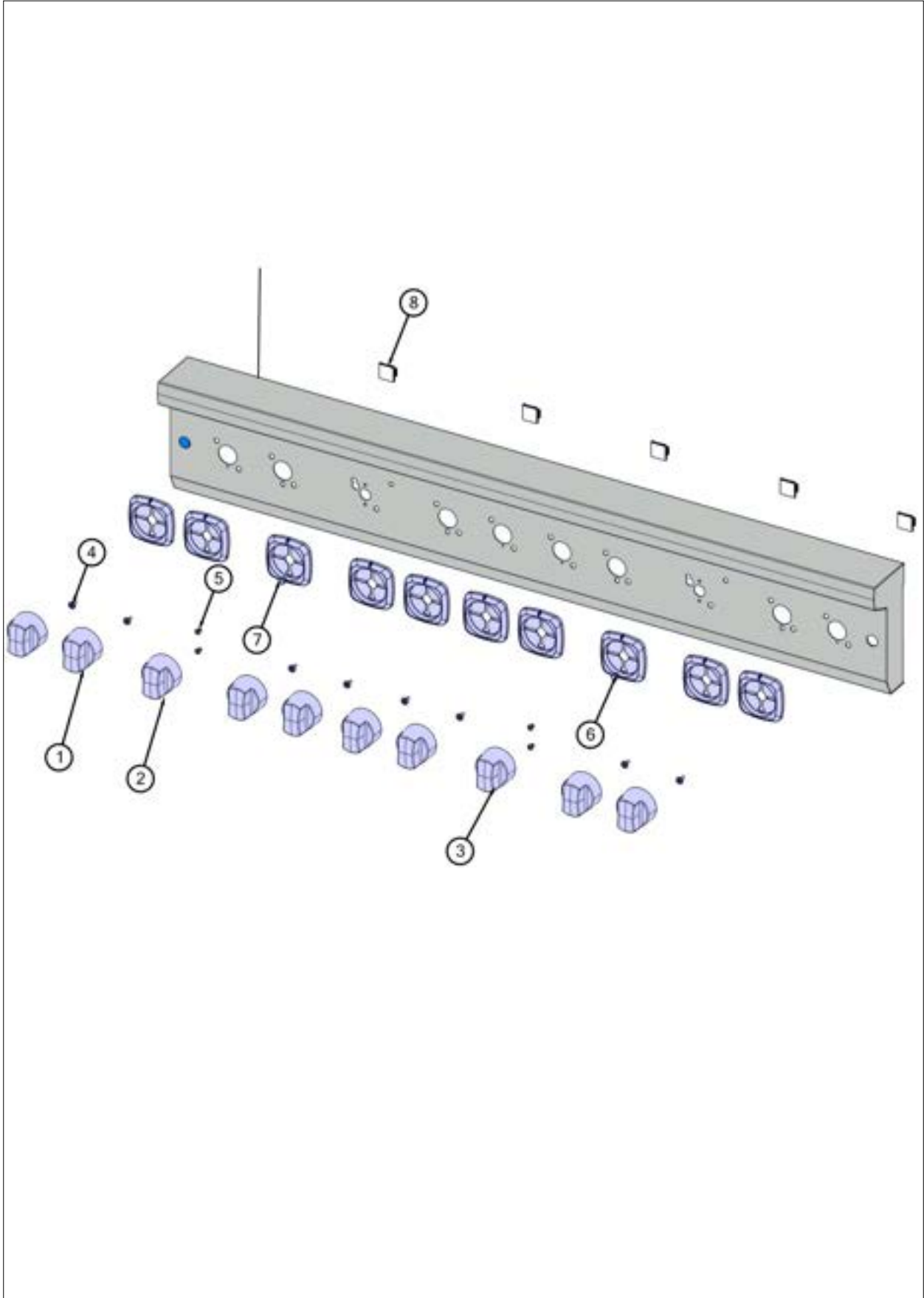
Surface Cooking View





Item	Part No.	Name	Qty	Uom	NOTES
1	049420-000	GRATE, BURNER, ASM	8	EA	
NI	049416-000	BUMBER, GRATE	32	EA	
2	066958-000	D BURNER CAP *MATTE BLACK*	8	EA	
3	018200-000	ADJUSTED SEALED BURNER HEAD	8	EA	
4	E9109800BK	48" SEALED COOKTOP 8B *BK*	1	EA	
7	002923-000	BURNER MODULE SUPPORT	4	EA	
8	041808-000	STRAP, SPRT	3	EA	
9	008609-000	SUPPORT, BACK	1	EA	
10	049588-000	PNL, SIDE, RANGE, RIGHT TOP	1	EA	
11	049578-000	PNL, SIDE, RANGE, LEFT TOP	1	EA	
12	010251-000	COVER, SOL	2	EA	
13	008461-000	SUPPORT, FRONT	1	EA	
14	058347-000	SHIELD, HEAT, HARNESS, BTM	1	EA	
15	058349-000	BRACKET, MOUNT, PANEL	1	EA	
16	058402-000	COVER, DISCONNECT, LH	1	EA	
17	058348-000	PANEL, BOTTOM, BOX, BURNER, VGR548	1	EA	
18	PB020193	16" FLEX TUBING W/CONNECTORS	1	EA	
19	058403-000	PANEL, DISCONNECT, LH	1	EA	
20	003860-000	10-18 x .500 FASTNR,SCR,HXWH,STL,ZPLT	84	EA	
21	PB020192	10" FLEX TUBING W/CONNECTORS	2	EA	
22	039137-000	TUBING, INSUL, GAS IGNITOR	1	EA	
23	058318-000	SUPPORT, BRIDGE, OVEN	1	EA	
24	058901-000	COVER, FAN, VGR548	1	EA	
25	066810-042	BURNER, BASE, ASM, BLK (INCLUDES IGNITER)	8	EA	
26	061370-000	RETAINER, UPPER, INSULATION, LH, 48"	1	EA	

Control View

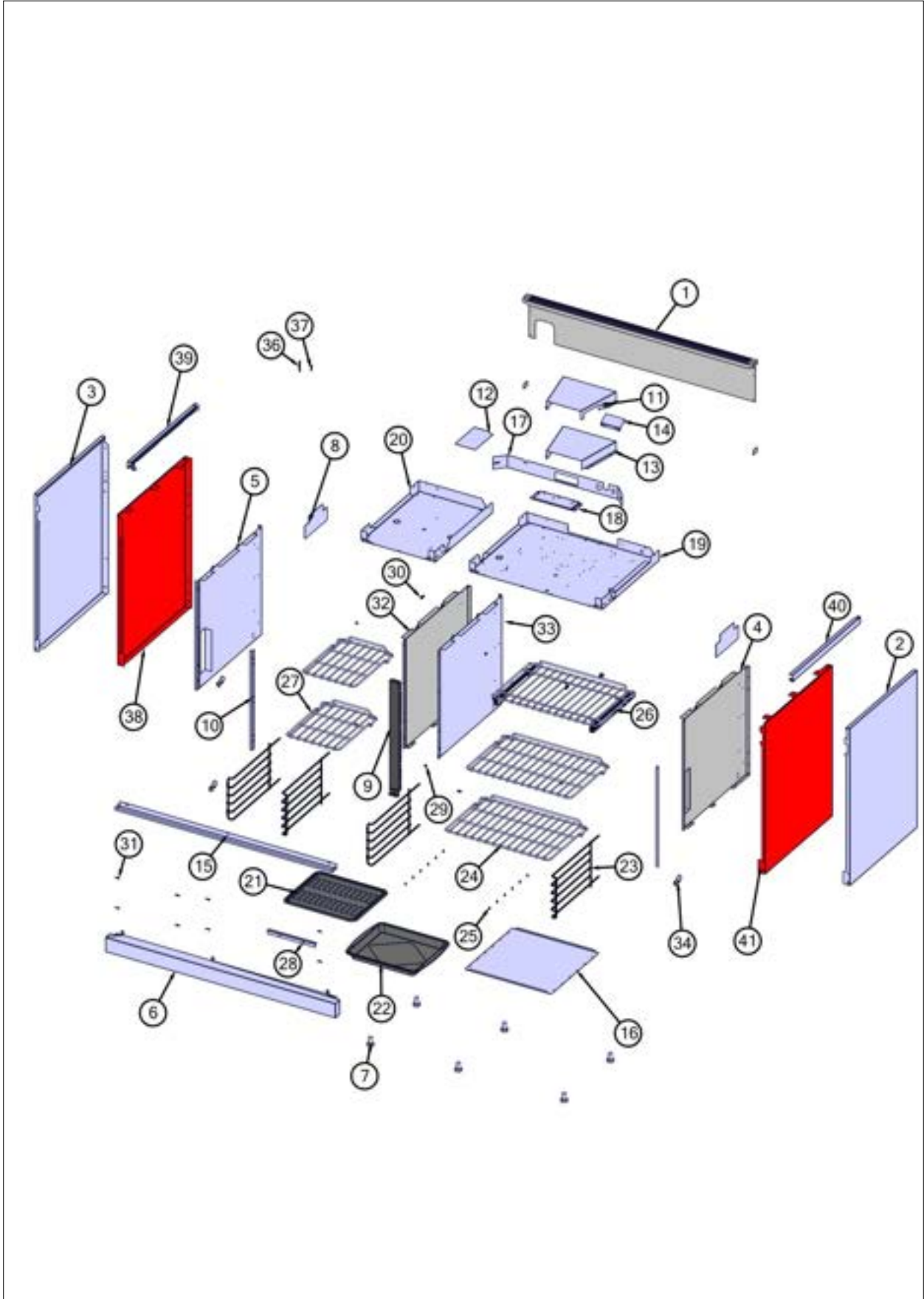




Item	Part No.	Name	Qty	Uom	NOTES
1	063759-2809	KNOB, BNR, TOP, PRO ASSY BLK CR	8	EA	
2	059005-2079	KNOB, GRDL, SM OVEN, PRO ASSY	1	EA	
3	059004-2071	KNOB, OVEN, TSTAT PRO VGR ASSY	1	EA	
4	PD020046	' #8 X 1/2 SCREWS	8	EA	
Not Shown	NOTE	(BEFORE 10/02/17)		EA	
4	064534-000	SCREW, 6-20 X .552" LG	16	EA	
Not Shown	NOTE	(ON OR AFTER 10/02/17)		EA	
5	PD020269	#8 PAN HEAD SCREW	4	EA	
6	063891-000	BZL, KNOB, VGR	10	EA	
7	027968-000	INDICATOR, LIGHT, BLUE	2	EA	
8	M0104106	CLIP-CORD VM0104106	5	EA	
10	059483-2109	PANEL, CONTROL, VGR5488B W/GRAPHICS	1	EA	
Not Shown	NOTE	(MUST ORDER ITEM 8 WHEN REPLACING CONTROL PANEL)		EA	



Decor View







Item	Part No.	Name	Qty	Uom	NOTES
1	062402-000	TRIM, IS, WELD, ASM, 48"	1	EA	
2	062393-000	PANEL, SIDE, RH	1	EA	
3	062394-000	PANEL, SIDE, LH, 48"	1	EA	
4	064189-000	PANEL, INSL, VGR548, RH	1	EA	
5	064191-000	PANEL, INSL, VGR548, LH	1	EA	
6	038605-000	KICKPLATE, RNG	1	EA	
6	038606-002	KICKPLATE, RNG, DCBZ BK	1	EA	
6	038606-005	KICKPLATE, RNG, DCBZ GG	1	EA	
6	038606-006	KICKPLATE, RNG, DCBZ WH	1	EA	
6	038606-008	KICKPLATE, RNG, DCBZ BU	1	EA	
6	038606-013	KICKPLATE, RNG, DCBZ CB	1	EA	
6	038606-024	KICKPLATE, RNG, DCBZ AR	1	EA	
6	038606-2801	KICKPLATE, RNG, DCBZ Kalamata Red (KA)	1	EA	
6	038606-2847	KICKPLATE, RNG, DCBZ Blackforest Green (BG)	1	EA	
6	038606-6180	KICKPLATE, RNG, DCBZ Cypress Green (CY)	1	EA	
6	038606-6258	KICKPLATE, RNG, DCBZ Cast Black (CS)	1	EA	
6	038606-6421	KICKPLATE, RNG, DCBZ Vanilla Cream (VC)	1	EA	
6	038606-6765	KICKPLATE, RNG, DCBZ Bywater Blue (BW)	1	EA	
6	038606-6797	KICKPLATE, RNG, DCBZ Alluvial Blue (AB)	1	EA	
6	038606-6871	KICKPLATE, RNG, DCBZ San Marzano Red (SM)	1	EA	
6	038606-7024	KICKPLATE, RNG, DCBZ Pacific Grey (PG)	1	EA	
6	038606-7070	KICKPLATE, RNG, DCBZ Frost White (FW)	1	EA	
6	038606-7585	KICKPLATE, RNG, DCBZ Reduction Red (RE)	1	EA	
6	038606-7652	KICKPLATE, RNG, DCBZ Artic Grey (AG)	1	EA	
6	038606-7674	KICKPLATE, RNG, DCBZ Damascus Grey (DG)	1	EA	
6	038606-9178	KICKPLATE, RNG, DCBZ Slate Blue (SB)	1	EA	



Item	Part No.	Name	Qty	Uom	NOTES
7	PD010022	HEX HD. BOLT - 3/4-10 X 1-1/4"	6	EA	
8	059063-000	INSULATION, FOIL-BACKED, SIDE	2	EA	
9	042866-402	TRIM, CTR, VGR7488B, BLK	1	EA	
10	005536-000	TRIM	2	EA	
11	005464-000	DUCT, VENT	1	EA	
12	014317-000	PLATE,SVCE,RGLT	1	EA	
13	058708-000	DUCT, VENT, RH, VGR560	1	EA	
14	006952-000	DEFLECTOR, AIR	1	EA	
15	038633-000	GUTTER, SPILL, 48"	1	EA	
16	A2004439	OVEN BOTTOM SHIELD (VGSC306)	1	EA	
17	057689-000	DIVIDER, AIR	1	EA	
18	006956-000	BRACKET, BLO, MTG	1	EA	
19	057765-000	RETAINER, INSULATION, UPPER, 30"	1	EA	
20	057766-000	RETAINER, UPPER, INSULATION, LH, 48"	1	EA	
21	042251-000	PAN, GRILL, TOP, PORCELAIN	1	EA	
22	042252-000	PAN, BROILER, BTM, PORCELAIN	1	EA	
23	066225-402	GUIDE, RACK, RH- BK	4	EA	
24	065467-000	RACK, PRO, W/HDL, 30"	1	EA	
25	PD020067	#6 X 3/8" PAN PHIL. TEK *SS*	12	EA	
26	065730-000	RACK, GLIDE, 30", W/HDL, ASSY	2	EA	
27	065783-000	RACK, PRO, W/HDL, 18", VGR	2	EA	
28	050266-000	BRACKET, SUPPORT, BOTTOM, OVEN, 18"	2	EA	
29	037304-000	FASTENER, PNH, TORX, AB, PSVD, WAX	25	EA	
30	044044-000	GROMMET, SWITCH, DOOR, RBR	2	EA	
31	pd020232	#8 X 3/4" PH PAN HEAD TEK SCREW (BLACK OXIDE)	8	EA	
32	058342-000	PANEL, INSL, VGR548, 18", RH	1	EA	
33	058343-000	PANEL, INSL, VGR548, 30", LH	1	EA	
34	004021-000	SUPPORT,TRIM,SIDE	4	EA	



Item	Part No.	Name	Qty	Uom	NOTES
36	PD020112	10-24 X 2RD PH MS TOGGLE BOLT	2	EA	
37	035784-000	FSTNR, SCR, HXWH, #10-12 X 1	2	EA	
38	062477-002	PANEL, SIDE, DECARB, LH, 48" BK	1	EA	
38	062477-005	PANEL, SIDE, DECARB, LH, 48" GG	1	EA	
38	062477-006	PANEL, SIDE, DECARB, LH, 48" WH	1	EA	
38	062477-008	PANEL, SIDE, DECARB, LH, 48" BU	1	EA	
38	062477-013	PANEL, SIDE, DECARB, LH, 48" CB	1	EA	
38	062477-024	PANEL, SIDE, DECARB, LH, 48" AR	1	EA	
38	062477-2801	OS Left Hand Cover - Kalamata Red (KA)	1	EA	
38	062477-2847	OS Left Hand Cover - Blackforest Green (BF)	1	EA	
38	062477-6180	OS Left Hand Cover - Cypress Green (CY)	1	EA	
38	062477-6258	OS Left Hand Cover - Cast Black (CS)	1	EA	
38	062477-6421	OS Left Hand Cover - Vanilla Cream (VC)	1	EA	
38	062477-6765	OS Left Hand Cover - Bywater Blue (BW)	1	EA	
38	062477-6797	OS Left Hand Cover - Alluvial Blue (AB)	1	EA	
38	062477-6871	OS Left Hand Cover - San Marzano Red (SM)	1	EA	
38	062477-7024	OS Left Hand Cover - Pacific Grey (PG)	1	EA	
38	062477-7070	OS Left Hand Cover - Frost White (FW)	1	EA	
38	062477-7585	OS Left Hand Cover - Reduction Red (RE)	1	EA	
38	062477-7652	OS Left Hand Cover -Artic Grey (AG)	1	EA	
38	062477-7674	OS Left Hand Cover - Damascus Grey (DG)	1	EA	
38	062477-9178	OS Left Hand Cover - Slate Blue (SB)	1	EA	

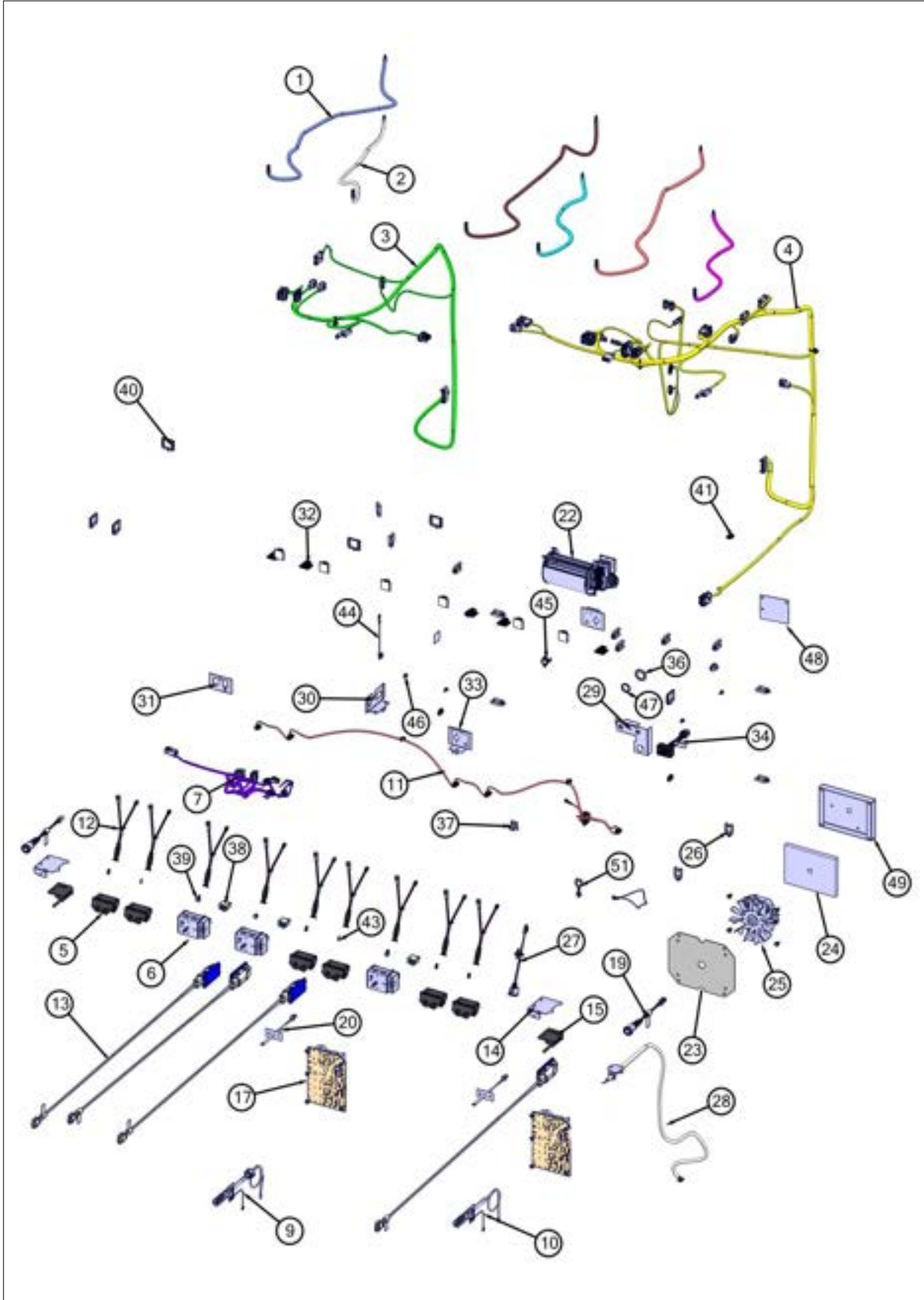


Item	Part No.	Name	Qty	Uom	NOTES
39	062476-000	TRIM, SIDE, LH	1	EA	
Not Shown	NOTE	(FOR USE WITH COLORED SIDE PANELS ONLY)		EA	
40	062475-000	TRIM, SIDE, RH	1	EA	
Not Shown	NOTE	(FOR USE WITH COLORED SIDE PANELS ONLY)		EA	
41	062478-002	PANEL, SIDE, DECARB, RH BK	1	EA	
41	062478-005	PANEL, SIDE, DECARB, RH GG	1	EA	
41	062478-006	PANEL, SIDE, DECARB, RH WH	1	EA	
41	062478-008	PANEL, SIDE, DECARB, RH BU	1	EA	
41	062478-013	PANEL, SIDE, DECARB, RH CB	1	EA	
41	062478-024	PANEL, SIDE, DECARB, RH AR	1	EA	
41	062478-2801	OS Right Hand Cover - Kalamata Red (KA)	1	EA	
41	062478-2847	OS Right Hand Cover - Blackforest Green (BF)	1	EA	
41	062478-6180	OS Right Hand Cover - Cypress Green (CY)	1	EA	
41	062478-6258	OS Right Hand Cover - Cast Black (CS)	1	EA	
41	062478-6421	OS Right Hand Cover - Vanilla Cream (VC)	1	EA	
41	062478-6765	OS Right Hand Cover - Bywater Blue (BW)	1	EA	
41	062478-6797	OS Right Hand Cover - Alluvial Blue (AB)	1	EA	
41	062478-6871	OS Right Hand Cover - San Marzano Red (SM)	1	EA	
41	062478-7024	OS Right Hand Cover - Pacific Grey (PG)	1	EA	
41	062478-7070	OS Right Hand Cover - Frost White (FW)	1	EA	
41	062478-7585	OS Right Hand Cover - Reduction Red (RE)	1	EA	
41	062478-7652	OS Right Hand Cover -Artic Grey (AG)	1	EA	
41	062478-7674	OS Right Hand Cover - Damascus Grey (DG)	1	EA	
41	062478-9178	OS Right Hand Cover - Slate Blue (SB)	1	EA	
NI	PD010018	TOGGLE BOLT (3/16" X 2")	2	EA	



Item	Part No.	Name	Qty	Uom	NOTES
NI	PD020002	10 X 1/2 PH.TR.HD.SMS.	2	EA	

Wiring View





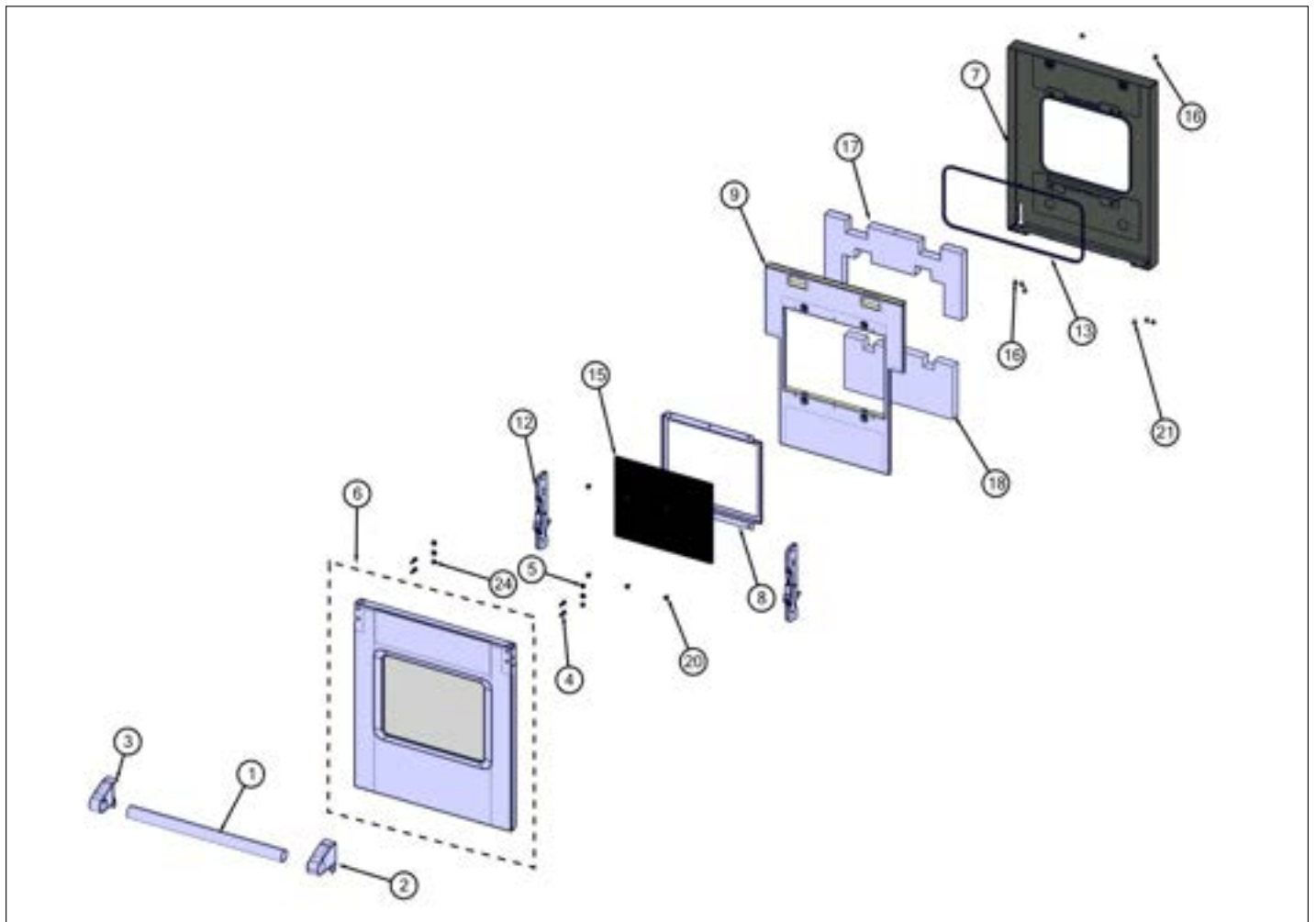
Item	Part No.	Name	Qty	Uom	NOTES
1	058659-604	HARN, VGR5, ELEC, BURN, REAR	3	EA	
2	058659-603	HARN, VGR5, ELEC, BURN, FRNT	3	EA	
3	058371-000	HARN, VGR548, MAIN, LH ASSY	1	EA	
4	059464-000	HARN, VGR548, MAIN, RH ASSY	1	EA	
NI	058381-000	HARN, VGR5, PWR DISC, HEADER	1	EA	
5	035795-000	MODULE, IGN, GAS,SNGL	8	EA	
6	056034-000	TSTAT, SMPS, ELEC, 2-POS, .91" SHAFT, CB	2	EA	
7	059473-000	HARN, VGR5, CP, LH ASSY	1	EA	
9	043611-000	ASSEMBLY, ELECTRODE W/LEAD, BAKE	1	EA	
NI	M0238731	SCREW-TF	1	EA	
10	043657-000	ELECTRODE W/LEAD, BAKE, ASSY	1	EA	
NI	M0238731	SCREW-TF	1	EA	
11	059139-000	HARN, VGR5488B, IRIS	1	EA	
12	048809-000	LAMP, LED, 12VDC, 2.84K, WHT HS, ASM & FAMILY	10	EA	
13	068653-601	LIGHT, 120V/25W, G9, HALOGEN, SIDE	4	EA	
14	058313-000	BRACKET, SWITCH, OVEN LIGHT	2	EA	
15	048347-000	SWITCH, SPDT, DOOR, STRAIGHT TABS	2	EA	
17	043453-000	MODULE, DSI	2	EA	
19	044195-000	SWITCH, PB-LT, 5WIRE, ASSY	2	EA	
20	PE050206	RTD THERMOSTAT PROBE	2	EA	
22	030567-000	FAN,BLOW,ASM 120V (51480)	1	EA	
23	021199-000	COVER, BOX, INSULATION	1	EA	
24	PB070208	CONVECTION FAN INSULATION	1	EA	
25	066367-000	MOTOR, CONV, 120V	1	EA	
26	045548-000	CLIP, ROUTING, WIRE	14	EA	
27	046283-000	SWITCH, LIGHTS, ACCENT W/CONN	1	EA	



Item	Part No.	Name	Qty	Uom	NOTES
28	059096-000	ELECTRODE, W/LEAD, BROIL, 28.5"	1	EA	
29	068332-000	BRKT, PWR SUPPLY	1	EA	
Not Shown	NOTE	See TC-0118-SP Service Bulletin		EA	
30	058454-000	BRACKET, DISCONNECT, POWER, LH	1	EA	
31	058455-000	BRACKET, DISCONNECT, LIGHT, LH	2	EA	
32	049878-000	CORD, CLIP, ADHESIVE	11	EA	
33	058320-000	BRACKET, SWITCH, LIMIT	2	EA	
34	069992-000	12 Volt Power Supply Kit	1	EA	
Not Shown	NOTE	See TC-0118-SP Service Bulletin		EA	
36	059470-000	WASHER, LOCK, TOOTH, EXTERNAL, 3/4", SS	1	EA	
37	PJ030039	BI-METAL THERMOSTAT 275 DEGREES	1	EA	
38	043135-000	HOUSING, LIGHT, LED, BLUE, 3.3V	3	EA	
39	027968-000	INDICATOR, LIGHT, BLUE	3	EA	
40	045550-000	SADDLE, WIRE, EDGE	6	EA	
41	050610-000	SADDLE, WIRE, EDGE, .46 X .29	4	EA	
43	044937-000	LENS, COVER, LED, CLEAR	10	EA	
44	043994-000	WIRE, GROUND, 5"	3	EA	
45	058936-000	SWITCH, SPST, NO, BIMETAL, 115F, RA TABS	1	EA	
46	PD020010	10 X 3/8 GREEN GROUNDING SCREW	6	EA	
47	059466-000	NUT, SWITCH, M19 X 1.0, NPCU	1	EA	
48	008420-000	FAN COVER PLATE	1	EA	
49	031735-000	BOX, INSUL., FAN	1	EA	
51	045551-000	CLIP, HARNESS, STANDOFF	16	EA	
NI	044747-000	CORD, SUPPLY, CORD	1	EA	



Left Door View



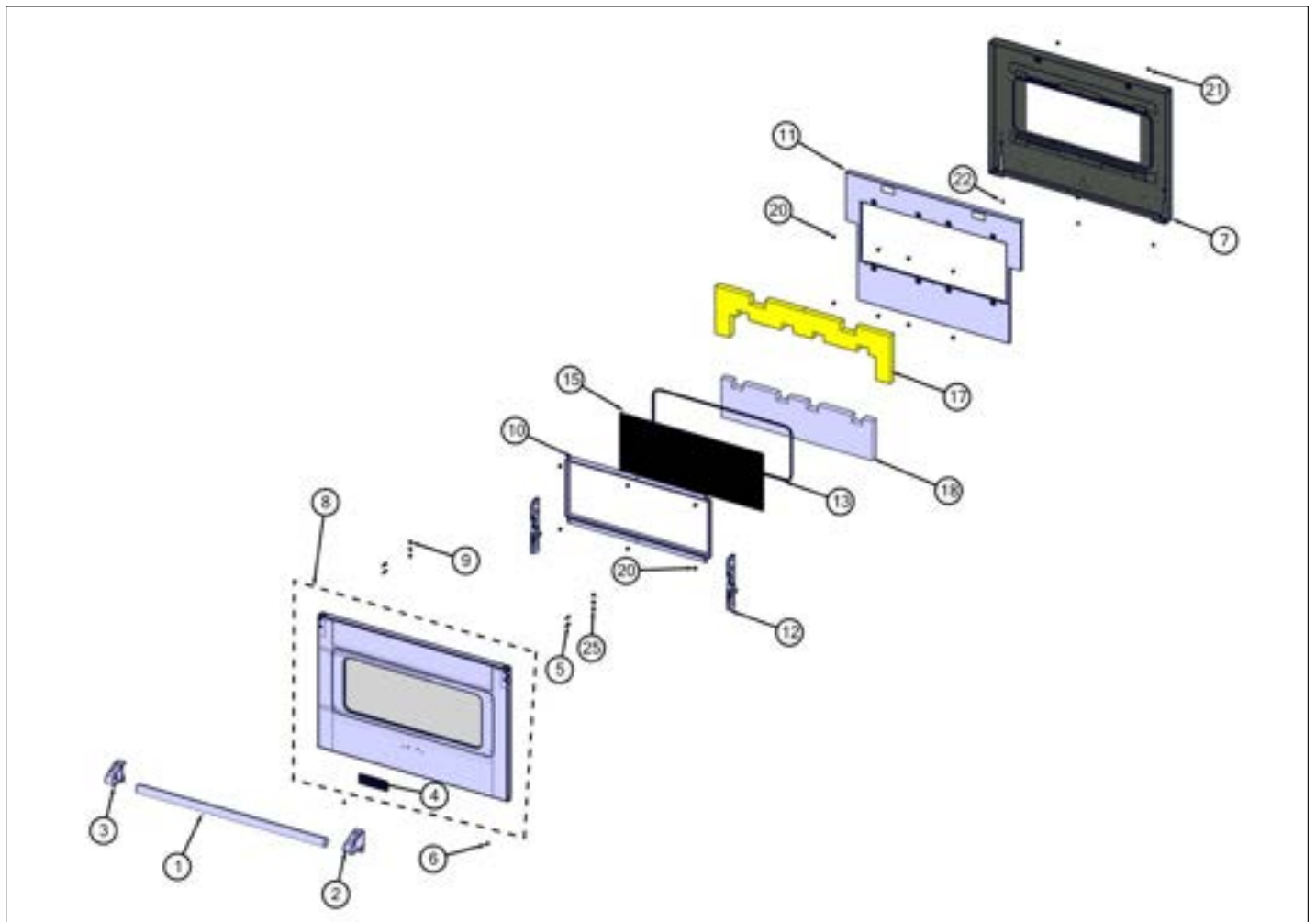


Item	Part No.	Name	Qty	Uom	NOTES
1	006221-000	18" DOOR HANDLE, SST	1	EA	
2	003012-000	DOOR HANDLE ENDCAP ASSY, RH (CHROME)	1	EA	
3	003011-000	DOOR HANDLE ENDCAP ASSY, LH (CHROME)	1	EA	
4	030823-000	#10-32 PAN HEAD PHILLIPS MACHINE SCREW	4	EA	
5	004907-000	STEEL FINISHING PLUG, NICKEL PLTD 25/64" HOLE	4	EA	
6	062508-000	DOOR, OS, KIT, 18" ASM	1	EA	
6	062522-002	DOOR, OS, KIT, 18" ASM, PAINTED BK	1	EA	
6	062522-005	DOOR, OS, KIT, 18" ASM, PAINTED GG	1	EA	
6	062522-006	DOOR, OS, KIT, 18" ASM, PAINTED WH	1	EA	
6	062522-008	DOOR, OS, KIT, 18" ASM, PAINTED BU	1	EA	
6	062522-013	DOOR, OS, KIT, 18" ASM, PAINTED CB	1	EA	
6	062522-024	DOOR, OS, KIT, 18" ASM, PAINTED AR	1	EA	
6	062522-2801	DOOR, OS, KIT, 18" ASM, PAINTED Kalamata Red (KA)	1	EA	
6	062522-2847	DOOR, OS, KIT, 18" ASM, PAINTED Blackforest Green (BG)	1	EA	
6	062522-6180	DOOR, OS, KIT, 18" ASM, PAINTED Cypress Green (CY)	1	EA	
6	062522-6258	DOOR, OS, KIT, 18" ASM, PAINTED	1	EA	
6	062522-6421	DOOR, OS, KIT, 18" ASM, PAINTED Vanilla Cream (VC)	1	EA	
6	062522-6765	DOOR, OS, KIT, 18" ASM, PAINTED Bywater Blue (BW)	1	EA	
6	062522-6797	DOOR, OS, KIT, 18" ASM, PAINTED Alluvial Blue (AB)	1	EA	
6	062522-6871	DOOR, OS, KIT, 18" ASM, PAINTED San Marzano Red (SM)	1	EA	
6	062522-7024	DOOR, OS, KIT, 18" ASM, PAINTED Pacific Grey (PG)	1	EA	
6	062522-7070	DOOR, OS, KIT, 18" ASM, PAINTED Frost White (FW)	1	EA	



Item	Part No.	Name	Qty	Uom	NOTES
6	062522-7585	DOOR, OS, KIT, 18" ASM, PAINTED Reduction Red (RE)	1	EA	
6	062522-7652	DOOR, OS, KIT, 18" ASM, PAINTED Artic Grey (AG)	1	EA	
6	062522-7674	DOOR, OS, KIT, 18" ASM, PAINTED Damascus Grey (DG)	1	EA	
6	062522-9178	DOOR, OS, KIT, 18" ASM, PAINTED Slate Blue (SB)	1	EA	
7	044070-402	PNL, LINER, WA, 18" BK	1	EA	
8	073818-000	BRACKET, GLASS, ID, 18"	1	EA	
9	046037-000	RETAINER, INSL, 30" INSIDE	1	EA	
12	046002-000	HINGE, NUOVA STAR, YELLOW	2	EA	
13	PB070014	DOOR GLASS SEAL STRIP - WINDOW DRS.	3.5ft	EA	
15	046136-000	GLASS, DOOR, INNER	1	EA	
16	PD020063	SCREW-#8(A) X 3/8"PH WFR HD/BK OXID	4	EA	
17	046372-000	INSULATION, LINER, DOOR, 18"	1	EA	
18	046676-000	INSULATION, DOOR LINER, BOTTOM, 18"	1	EA	
20	004526-000	10 x 1/2 PH, NPLT, TAPPING SCREW	14	EA	
21	PD020033	SRW-#10-24X1/2"(23)PH.WFR HD (NKL)	2	EA	
24	PD020073	SRW #10 X 24 X 3/8 WAFER HD TYPE23	2	EA	

Right Door View





Item	Part No.	Name	Qty	Uom	NOTES
1	002728-000	DOOR HANDLE - SS, 1.25" 29.5	1	EA	
2	003012-000	DOOR HANDLE ENDCAP ASSY, RH (CHROME)	1	EA	
3	003011-000	DOOR HANDLE ENDCAP ASSY, LH (CHROME)	1	EA	
4	062341-000	NAMEPLATE, VIKING, 3.500", W/LOC PINS	1	EA	
5	030823-000	#10-32 PAN HEAD PHILLIPS MACHINE SCREW	4	EA	
6	PD020032	SRW-8(A)X3/8"PH.WFR HD 7/16DIA*NICL	2	EA	
7	044058-402	PNL, LINER, WA, 30"BK	1	EA	
8	068446-000	ASM, DOOR, OS, KIT, 30", SS	1	EA	
8	068451-002	ASM, DOOR, OS, KIT, 30", PAINTED BK	1	EA	
8	068451-005	ASM, DOOR, OS, KIT, 30", PAINTED GG	1	EA	
8	068451-006	ASM, DOOR, OS, KIT, 30", PAINTED WH	1	EA	
8	068451-008	ASM, DOOR, OS, KIT, 30", PAINTED BU	1	EA	
8	068451-013	ASM, DOOR, OS, KIT, 30", PAINTED CB	1	EA	
8	068451-024	ASM, DOOR, OS, KIT, 30", PAINTED AR	1	EA	
8	068451-2801	ASM, DOOR, OS, KIT, 30", PAINTED Kalamata Red (KA)	1	EA	
8	068451-2847	ASM, DOOR, OS, KIT, 30", PAINTED Blackforest Green (BG)	1	EA	
8	068451-6180	ASM, DOOR, OS, KIT, 30", PAINTED Cypress Green (CY)	1	EA	
8	068451-6258	ASM, DOOR, OS, KIT, 30", PAINTED Cast Black (CS)	1	EA	
8	068451-6421	ASM, DOOR, OS, KIT, 30", PAINTED Vanilla Cream (VC)	1	EA	
8	068451-6765	ASM, DOOR, OS, KIT, 30", PAINTED Bywater Blue (BW)	1	EA	
8	068451-6797	ASM, DOOR, OS, KIT, 30", PAINTED Alluvial Blue (AB)	1	EA	
8	068451-6871	ASM, DOOR, OS, KIT, 30", PAINTED San Marzano Red (SM)	1	EA	



Item	Part No.	Name	Qty	Uom	NOTES
8	068451-7024	ASM, DOOR, OS, KIT, 30", PAINTED Pacific Grey (PG)	1	EA	
8	068451-7070	ASM, DOOR, OS, KIT, 30", PAINTED Frost White (FW)	1	EA	
8	068451-7585	ASM, DOOR, OS, KIT, 30", PAINTED Reduction Red (RE)	1	EA	
8	068451-7652	ASM, DOOR, OS, KIT, 30", PAINTED Artic Grey (AG)	1	EA	
8	068451-7674	ASM, DOOR, OS, KIT, 30", PAINTED Damascus Grey (DG)	1	EA	
8	068451-9178	ASM, DOOR, OS, KIT, 30", PAINTED Slate Blue (SB)	1	EA	
9	004907-000	STEEL FINISHING PLUG, NICKEL PLTD 25/64" HOLE	4	EA	
10	070671-000	BRACKET, GLASS, ID	1	EA	
11	046032-000	RETAINER, INSL, 30" INSIDE	1	EA	
12	046001-000	HINGE, NUOVA STAR, ORANGE	2	EA	
13	PB070014	DOOR GLASS SEAL STRIP - WINDOW DRS.	4.88ft	EA	
15	025099-000	INNER DOOR GLASS, 30"	1	EA	
17	046192-000	INSULATION, LINER, DOOR, 30"	1	EA	
18	046674-000	INSULATION, DOOR LINER, BOTTOM, 30"	1	EA	
20	004526-000	10 x 1/2 PH, NPLT, TAPPING SCREW	18	EA	
21	PD020063	SCREW-#8(A) X 3/8"PH WFR HD/BK OXID	2	EA	
22	PD020032	SRW-8(A)X3/8"PH.WFR HD 7/16DIA*NICL	1	EA	
25	PD020073	SRW #10 X 24 X 3/8 WAFER HD TYPE23	2	EA	



Appendix A:Pages Index

Base View .....	1
Control View .....	5
Decor View .....	6
Gas Asm View .....	3
Left Door View .....	8
Rear View .....	2
Right Door View .....	9
Surface Cooking View .....	4
Wiring View .....	7



Appendix B:Parts Index

001394-046	..... 3	021199-000	..... 7
002728-000	..... 9	025099-000	..... 9
002884-000	..... 3	027915-000	..... 3
002923-000	..... 3, 4	027968-000	..... 5, 7
003011-000	..... 8, 9	030567-000	..... 7
003012-000	..... 8, 9	030823-000	..... 8, 9
003860-000	..... 1, 3, 4	031445-402	..... 1, 1
004021-000	..... 6	031735-000	..... 7
004285-000	..... 1	033668-000	..... 2
004526-000	..... 8, 9	034927-000	..... 2
004907-000	..... 8, 9	034928-000	..... 2
005464-000	..... 6	035784-000	..... 6
005466-000	..... 1, 2	035795-000	..... 7
005536-000	..... 6	037304-000	..... 6
005944-000	..... 1	038605-000	..... 6
005945-000	..... 1	038606-002	..... 6
006221-000	..... 8	038606-005	..... 6
006952-000	..... 6	038606-006	..... 6
006956-000	..... 6	038606-008	..... 6
007147-000	..... 3	038606-013	..... 6
007726-000	..... 3	038606-024	..... 6
007815-000	..... 3	038606-2801	..... 6
008026-000	..... 1, 1	038606-2847	..... 6
008420-000	..... 7	038606-6180	..... 6
008461-000	..... 4	038606-6258	..... 6
008609-000	..... 2, 4	038606-6421	..... 6
009111-000	..... 3	038606-6765	..... 6
009112-000	..... 3	038606-6797	..... 6
010251-000	..... 4	038606-6871	..... 6
011570-000	..... 3	038606-7024	..... 6
012793-000	..... 3	038606-7070	..... 6
013320-000	..... 3	038606-7585	..... 6
013386-000	..... 3	038606-7652	..... 6
013580-402	..... 1	038606-7674	..... 6
014317-000	..... 6	038606-9178	..... 6
014747-000	..... 1	038633-000	..... 6
016673-402	..... 1	039137-000	..... 4
018200-000	..... 4	040736-000	..... 1
020409-000	..... 1	041808-000	..... 4
020412-000	..... 1	042251-000	..... 6
		042252-000	..... 6





042866-402	6	046651-000	1
042875-000	2	046674-000	9
043135-000	7	046676-000	8
043453-000	7	046677-000	1
043611-000	7	047055-000	1
043657-000	7	047065-000	1
043746-000	2	048347-000	7
043800-000	1	048809-000	7
043907-000	1	049416-000	4
043994-000	7	049420-000	4
044039-000	3	049500-000	1, 2
044041-000	3	049578-000	4
044044-000	6	049588-000	4
044058-402	9	049609-000	1
044070-402	8	049878-000	7
044096-000	3	050266-000	6
044178-000	1	050267-000	1
044195-000	7	050610-000	7
044246-000	3	050794-000	1
044513-000	1	054057-000	1
044747-000	7	055025-000	1, 1
044793-000	1	056034-000	7
044937-000	7	057689-000	6
045034-000	1	057765-000	6
045060-000	1	057766-000	6
045548-000	7	057805-000	1
045550-000	7	057905-000	2
045551-000	7	058141-000	3
045666-402	1	058142-000	3
045736-402	1	058145-000	3
046001-000	9	058157-000	3
046002-000	8	058158-000	3
046032-000	9	058295-000	2
046037-000	8	058313-000	7
046128-000	1	058318-000	4
046136-000	8	058320-000	7
046192-000	9	058342-000	6
046283-000	7	058343-000	6
046361-000	1	058346-000	1
046372-000	8	058347-000	4
046595-000	1	058348-000	4



058349-000	4	062394-000	6
058355-000	2	062402-000	2, 6
058356-000	2	062475-000	6
058363-000	1	062476-000	6
058371-000	7	062477-002	6
058381-000	7	062477-005	6
058397-000	1	062477-006	6
058399-000	1	062477-008	6
058402-000	4	062477-013	6
058403-000	4	062477-024	6
058454-000	7	062477-2801	6
058455-000	7	062477-2847	6
058659-603	7	062477-6180	6
058659-604	7	062477-6258	6
058708-000	6	062477-6421	6
058839-000	2	062477-6765	6
058853-000	2	062477-6797	6
058894-000	3	062477-6871	6
058901-000	4	062477-7024	6
058936-000	7	062477-7070	6
059004-2071	5	062477-7585	6
059005-2079	5	062477-7652	6
059024-000	2	062477-7674	6
059025-000	2	062477-9178	6
059045-000	2	062478-002	6
059056-000	2	062478-005	6
059063-000	6	062478-006	6
059096-000	7	062478-008	6
059139-000	7	062478-013	6
059145-000	2	062478-024	6
059464-000	7	062478-2801	6
059466-000	7	062478-2847	6
059470-000	7	062478-6180	6
059473-000	7	062478-6258	6
059483-2109	5	062478-6421	6
059489-000	1	062478-6765	6
060474-000	2	062478-6797	6
061230-000	3	062478-6871	6
061370-000	4	062478-7024	6
062341-000	9	062478-7070	6
062393-000	6	062478-7585	6



062478-7652	6	068332-000	7
062478-7674	6	068446-000	9
062478-9178	6	068451-002	9
062508-000	8	068451-005	9
062522-002	8	068451-006	9
062522-005	8	068451-008	9
062522-006	8	068451-013	9
062522-008	8	068451-024	9
062522-013	8	068451-2801	9
062522-024	8	068451-2847	9
062522-2801	8	068451-6180	9
062522-2847	8	068451-6258	9
062522-6180	8	068451-6421	9
062522-6258	8	068451-6765	9
062522-6421	8	068451-6797	9
062522-6765	8	068451-6871	9
062522-6797	8	068451-7024	9
062522-6871	8	068451-7070	9
062522-7024	8	068451-7585	9
062522-7070	8	068451-7652	9
062522-7585	8	068451-7674	9
062522-7652	8	068451-9178	9
062522-7674	8	068653-601	7
062522-9178	8	069992-000	7
063759-2809	5	070671-000	9
063891-000	5	073818-000	8
064189-000	6	A2002654	2
064191-000	6	A2004428	1, 1
064534-000	5	A2004429	1
065467-000	6	A2004439	1, 6
065730-000	6	A2005586	1
065783-000	6	B2004415	3
066197-041	3	E9109800BK	4
066197-042	3	G9104438BK	1
066197-044	3	G9105587BK	1
066203-000	1	M0104106	5
066212-000	1	M0238731	7, 7
066225-402	6	PA070003	3
066367-000	7	PB020192	3, 4
066810-042	4	PB020193	3, 4
066958-000	4	PB040027	3



PB040040	3
PB040053	3
PB070014	8, 9
PB070074	1
PB070208	7
PC030007	1
PD010012	3
PD010018	6
PD010022	6
PD020002	6
PD020010	7
PD020032	9, 9
PD020033	1, 8
PD020046	5
PD020063	8, 9
PD020067	6
PD020073	8, 9
PD020076	3
PD020112	6
PD020269	5
PD030018	3
PD030118	3
PD040005	2
PE050206	7
PE070069	2
PJ030039	7
g3001876	3
pd020232	6