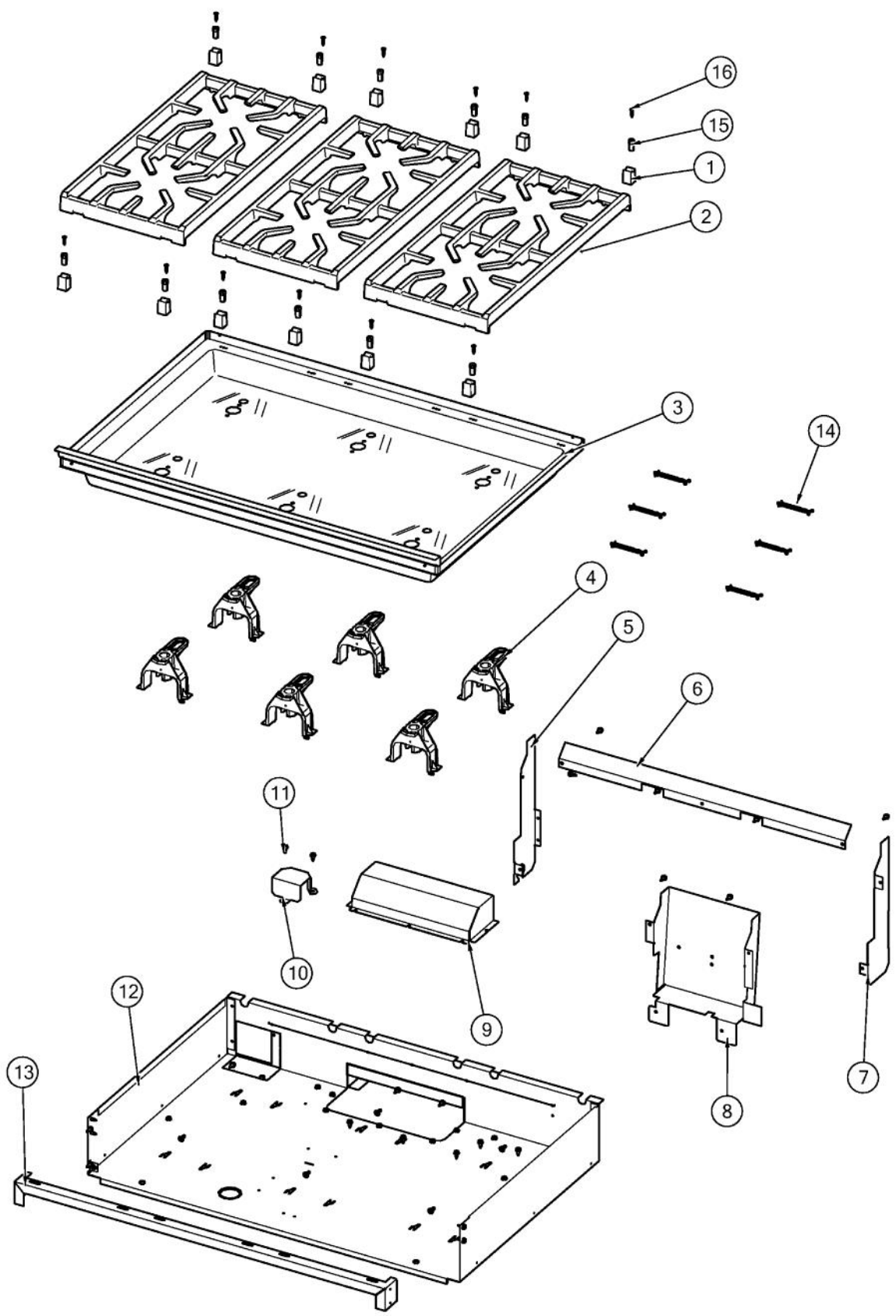
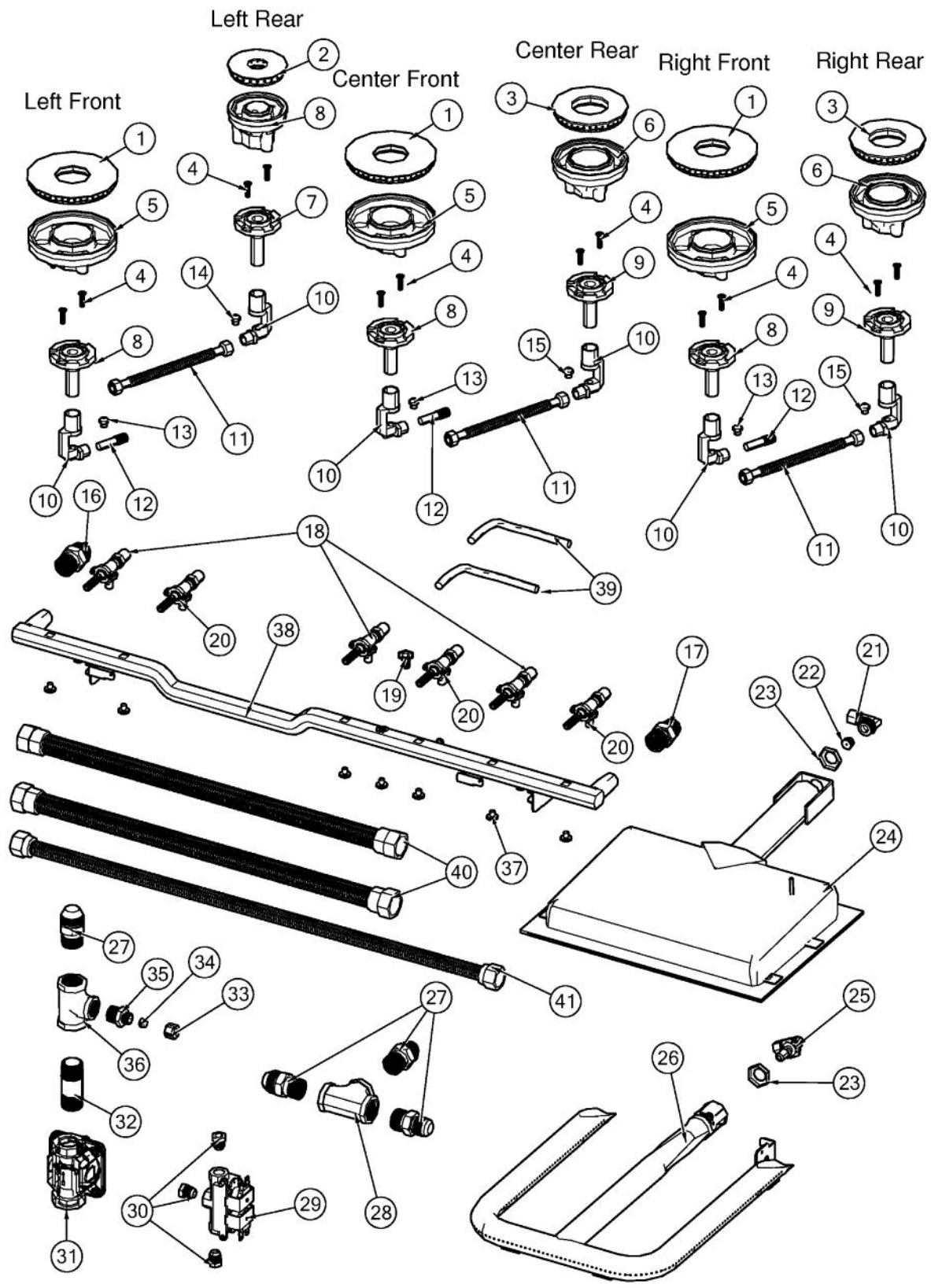


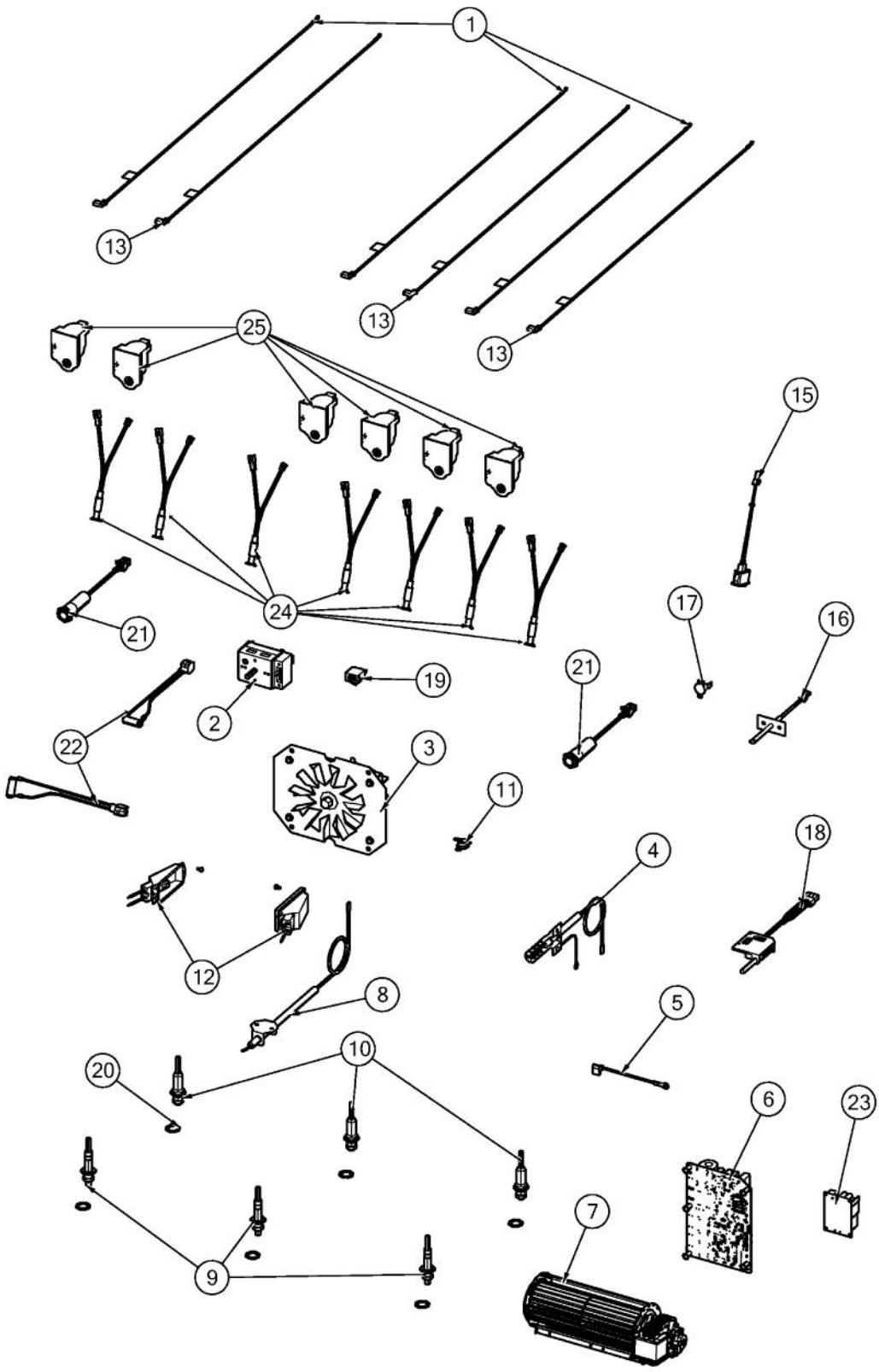
Ref #	Part Number	Qty.	Description
1	012438-000	1	SWITCH, LIM, BRKT
2	046187-000	1	SHIELD, WATER, DIVERTER
3	033668-000	1	BRACKET, DISCONNECT
5	044786-000	1	BACK, OVEN, CAVITY, VGR, 36
6	N/P	1	CABINET (NOT FIELD REPLACEABLE)
7	042339-000	1	PANEL, INSL, RH
8	005536-000	1	TRIM
9	G9105526BK	1	OVEN BOTTOM ASSY
10	040736-000	1	BRKT, ORF
11	014747-000	1	BRACKET, BNR, SIDE, BLUE PORCELAIN
12	020604-000	1	BASE, RANGE
13	A2004429	2	OVEN BOTTOM INSUL. BRACE (VGSC306)
14	PC030007	4	LEG PLATE - 3/4 THREADED HOLE
15	046935-000	2	BRACKET, LEG, OFFSET
16	043730-000	1	OVEN CVTY, BTM, 36
17	014747-000	1	BRACKET, BNR, SIDE, BLUE PORCELAIN
18	021225-402	1	COVER, CNVN, ASM, BK PORC
19	009005-000	1	GASKET CLIP RAW
20	031445-402	1	BRACE, OVEN, BOTTOM, BACK
21	020409-000	1	BRACKET, SPRT, FR, I/R BROILER
22	020412-000	1	BRACKET, SPRT, REAR, I/R BROILER
23	046677-000	1	INSULATION, FBGL, RECEIVER, DAMPENING
24	045060-000	1	RECEIVER, HINGE, SLOW-CLOSE, UNDAMPENED
25	046677-000	1	INSULATION, FBGL, RECEIVER, DAMPENING
26	005536-000	1	TRIM
27	042343-000	1	PANEL, INSL, LH
28	006192-000	2	VENT, ASM, OVEN ASSEMBLY
29	PB070079	2	SILICONE EXTRUSION (DGSU)
30	042348-000	1	PANEL, INSL, 36 TOP
31	042346-000	1	DIVERTER, AIR, LH
32	045786-000	1	RECEIVER, HINGE, SLOW-CLOSE, DAMPENED
33	043699-402	1	FRAME, FR, WELDMNT, 36 BK
34	033668-000	1	BRACKET, DISCONNECT
35	048048-000	1	BRKT, SWITCH, LIM, HIGH
36	046065-000	1	BRACKET, SWITCH, OVEN LIGHT
37	042347-000	1	DIVERTER, AIR, RH
38	046409-000	1	BRCKT, RETAINER, REGULATOR
39	A2008467	1	INSULATION SHIELD
40	003860-000		NO.10-18 X .500 FASTNR,SCR,HXWH,STL,ZPLT
41	046651-000		SCREW, TRILOBE, 10-32, TRUSS, PH, BLACK
42	PD040005	1	SNAP BUSHING - 7/8
43	044044-000	1	GROMMET, SWITCH, DOOR, RBR
44	046019-000	1	GASKET, LINER, AG, ASM 36



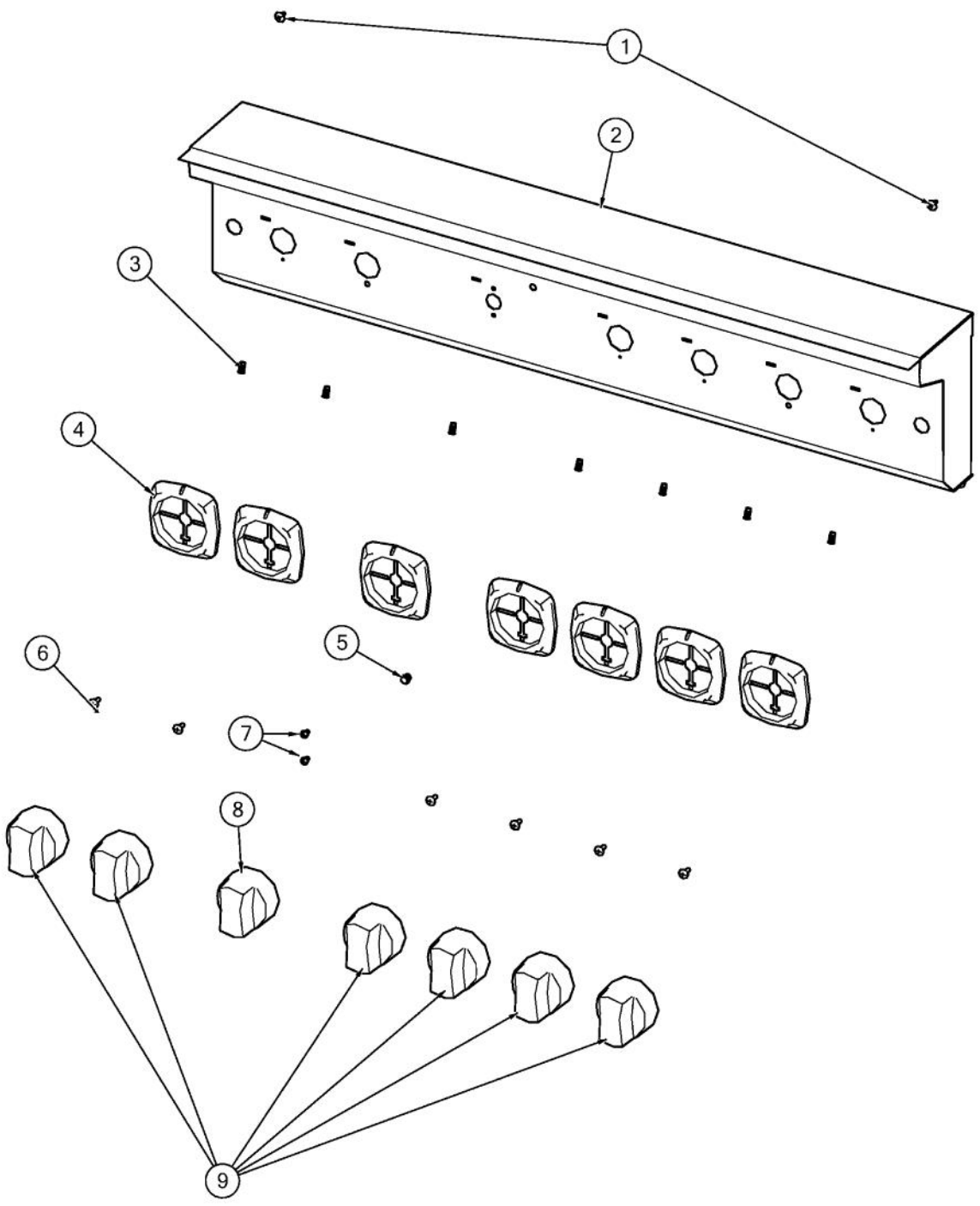
Ref #	Part Number	Qty.	Description
1	042410-000	12	SUPPORT, GRATE
2	042545-000	3	GRATE, CAST, 12
3	048017-402	1	PAN, BNR, SHIM, ASM, BLK
4	044486-000	6	SUPPORT, HLDR, JET
5	042741-000	1	DIVERTER, BRKT, RH
6	031313-000	1	DIVERTER, AIR 36
7	042742-000	1	DIVERTER, BRKT, LH
8	042785-000	1	COVER, BLO
9	042350-000	1	COVER, FAN
10	048188-000	1	BRACKET, TEE, PIPE
11	003860-000		NO.10-18 X .500 FASTNR,SCR,HXWH,STL,ZPLT
12	042349-000	1	BOX, BNR, 36
13	042400-000	1	BRACKET, MTG, 36 CONTROL PANEL
14	048961-000	9	STANDOFF, TWIST LOCK, TALL
15	046873-000	12	SILENCER, GRATE
16	049534-000	12	SCREW, 8-32 X 3/4, PHIL, FLAT



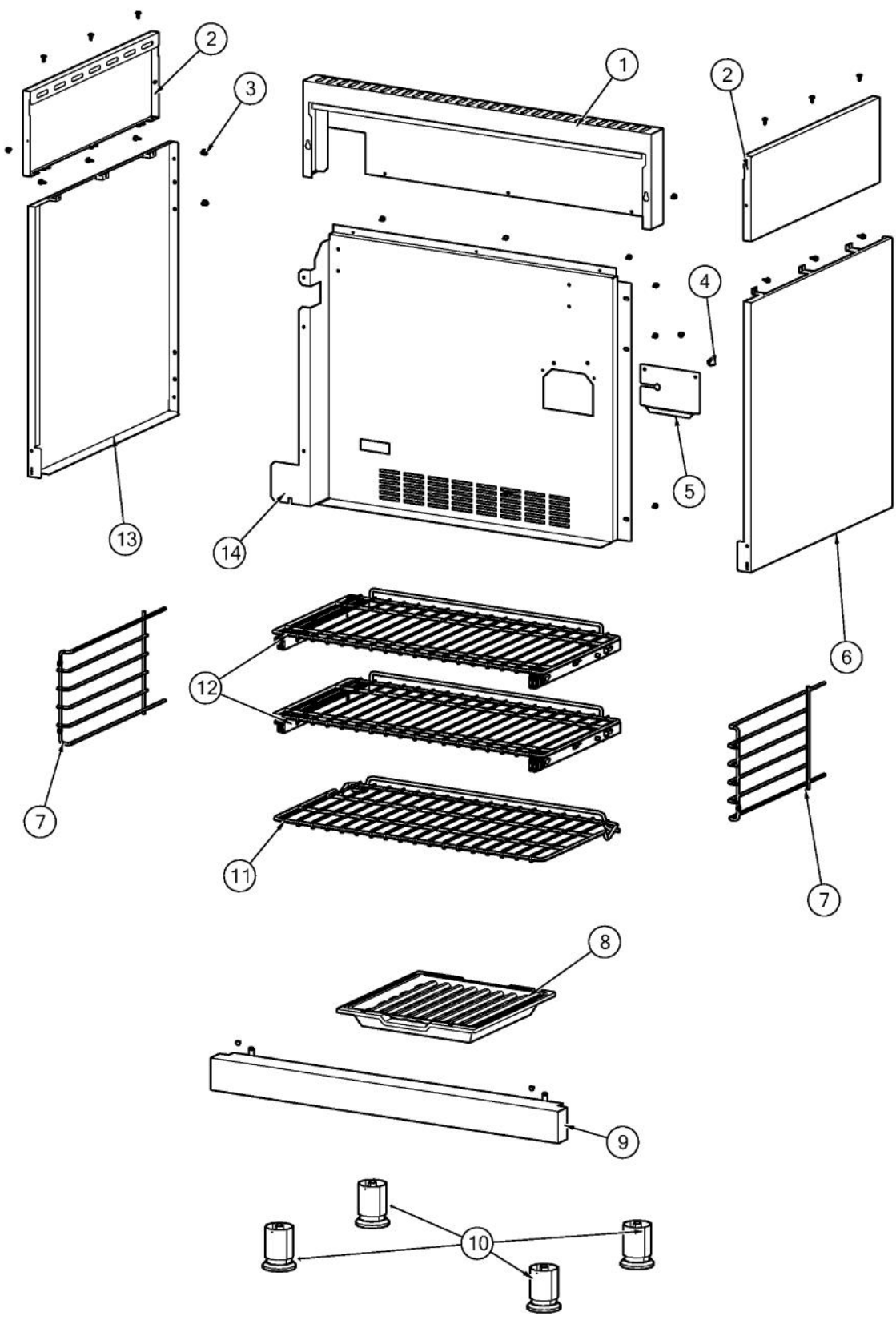
Ref #	Part Number	Qty.	Description
1	043159-000	3	E-BURNER HEAD
2	043791-000	1	BURNER, HEAD, BRS, C-SIZE
3	043251-000	2	D-BURNER HEAD
4	046964-000	12	SCREW, 10-32 X 3/4, CTSK, BLACK
5	043158-000	3	E-BURNER BASE
6	043249-000	2	BASE, BNR, D
7	044686-000	1	VENTURI, C NAT, C LP, FLANGE, BNR
NI	051790-000		TC-0101-SP 7 SERIES LR SURFACE BURNER KIT (FOR UNITS MANUFACTURED BEFORE 8/5/14)
8	044485-000	3	VENTURI, E NAT, FLANGE, BNR - NAT
8	044488-000	3	VENTURI, E LP, FLANGE, BNR - LP
9	044487-000	2	VENTURI, D NAT, D LP, FLANGE, BNR
10	043208-000	6	HOLDER, JET, BURNER
11	PB020198	3	20 FLEX TUBING
12	PB020191	3	15 FLEX TUBE
13	043675-000	3	ORIFICE, BNR, STD, 2.18MM - NAT
13	044820-000	3	ORIFICE, BNR, STD, .813MM - LP
14	044688-000	1	ORIFICE, BNR, STD, 1.22MM - NAT
14	043680-000		ORIFICE, BNR, STD, 1.07MM - LP
15	046184-000	2	ORIFICE, BNR, STD, 1.70MM NAT
15	043679-000	2	ORIFICE, BNR, STD, 1.32MM - LP
16	044321-000	1	FITTING, ADAPTOR, 3/4 FLEX TUBING
17	044824-000	1	FITTING, ADAPTOR, 1/2 FLEX TUBING
18	046197-000	3	VALVE, BNR, 9/16-24 UNEF ASSY - NAT
19	002884-000	1	MANIFOLD PLUG
20	043134-000	3	VALVE, BNR, 9/16-24 UNEF ASSY - NAT
21	PB040178	1	90 DEGREE ORIFICE FITTING (VGSC306)
22	PB040026	1	IR BURNER ORIFICE - NO.48 NAT.
23	PD030018	2	PALNUT - 3/4-16
24	G3001876	1	IR BURNER ASSY (VGSC/RC) N/S
25	048031-000	1	90 DEG ORIFICE FITTING, NO.39 DRILL
26	043276-000	1	BURNER, BAKE, ASM, 36 - NAT
26	044236-000	1	BURNER, BAKE, ASM, 36- LP
27	044321-000	4	FITTING, ADAPTOR, 3/4 FLEX TUBING
28	044323-000	1	TEE, PIPE, 3/4
29	009112-000	1	VALVE, SOL, DOUBLE
30	PB040050	3	3/8CC MALE COMP. FITTING W/FERRULE
31	046119-000	1	PRESSURE REGULATOR - NAT
31	046120-000	1	REGULATOR, PRSS, 3/4 INLET, 3/4 OUTLET - LP
32	044637-000	1	NIPPLE, PIPE, 2-1/2, 3/4 NPTM TO 3/4 NPTM
33	PB040213	1	3/8 COMPRESSION NUT (DGCU)
34	PB040192	1	3/8`` CC FERREL (DGCU)
35	044691-000	1	ADAPTOR, COMPRESSION, 1/2 NPTF TO 3/8 TUBE O.D.
36	044638-000	1	TEE, PIPE, 3/4 NPTF TO 1/2 NPTM
37	PD010012	7	VALVE BOLT 1/4-20 UNC-2B 5/16 M.S.
38	043122-000	1	MANIFOLD, GAS, 36 ASM
39	PB020116	2	TUBING - 10 FLEXIBLE 12 & 24
40	046399-000	2	TUBING, 3/4 FLEX, SST, 20
41	046396-000	1	TUBING, 1/2 I.D., FLEX, SST, 26
NI	PB020126	1	3/8`` S.S. FLEX TUBING 15`` (DGCU)



Ref #	Part Number	Qty.	Description
1	028312-000	3	WIRE, ELECTRODE,IRIS,REAR?
2	038413-000	1	TSTAT,SMPS, ELEC, 2-POS, .91 SHAFT, CB
3	023090-000	1	MOTOR, CONV ASM?
4	043657-000	1	ELECTRODE W/LEAD, BAKE, ASSY?
5	043994-000	1	WIRE, GROUND, 5
6	043453-000	1	MODULE, DSI
7	019959-000	1	FAN, COOLING, DUAL, 120V X 180MM
8	043615-000	1	ASSEMBLY, ELECTRODE
9	043065-000	3	ELECTRODE, ASM E?
10	043067-000	3	ELECTRODE , ASM, D?
11	PJ030022	1	HIGH LIMIT SWITCH
12	005311-000	2	120V/25W HALOGEN LIGHT
13	028324-000	3	WIRE, ELECTRODE,IRIS,FRONT?
14	PA020058	6	IRIS SINGLE SPARK MODULE
15	046283-000	1	SWITCH, LIGHTS, ACCENT W/CONN?
16	PE050206	1	RTD THERMOSTAT PROBE
17	048014-000	1	SWITCH, LIM, HIGH, 90 DEG C
18	045032-000	1	SWITCH, DOOR, W-CONNECTOR, ASM
19	043135-000	1	HOUSING, LIGHT, LED, BLUE 3.3V
20	045932-000	6	WASHER, ELECTRODE?
21	044195-000	2	SWITCH, PB-LT, 5WIRE, ASSY
22	008880-000	2	MEAT PROBE RECEPTACLE ASM
23	044693-000	1	SUPPLY, POWER, AC/DC 12VDC, 15W
24	048809-000	7	LAMP, LED, 12VDC, 2.84K, WHITE, ASM?
NI	043325-000	1	HARN, CTRL PNL, LED PWR
NI	043321-000	1	HARN, MAIN, ALL GAS, 36 INV DSI
NI	044192-000	1	HARN, IRIS, 36, 6B, W/CONN
NI	048831-000	1	KITCHEN THERMOMETER P/N 1KT002 VIKING OVERLAY
NI	046020-000	1	PROBE, MEAT, OVEN, IGRILL, SST, 3.5MM
NI	046021-000	1	CORD, ADPT, M-M, 2.5TS, 2.5TS, SST
NI	046359-000	1	SUPPLY, POWER, ASM
NI	044747-000	1	CORD, SUPPLY, CORD



Ref #	Part Number	Qty.	Description
1	PD020032	2	SRW-8(A)X3/8PH.WFR HD 7/16DIAXNICL
2	042131-2526	1	PNL, CTRL, VGR736, W/GRAPHICS ASSY
3	044937-000	7	LENS, COVER, LED, CLEAR
4	048309-000	7	BZL, KNOB
5	027968-000	1	INDICATOR, LIGHT, BLUE
6	PD020046	6	NO.8 X 1/2 SCREWS
7	PD020269	2	NO.8 PAN HEAD SCREW
8	042557-000	1	KNOB, ASSY, T' STAT, OVEN, A/G
9	042558-000	6	KNOB, ASSY, BURNER
NI	044512-000	6	BEARING, BEZEL, ASM



Ref #	Part Number	Qty.	Description
1	042117-000	1	TRIM, IS, VGR, 36?
2	042404-000	2	COVER, OS, RH/LH UPPER?
3	003860-000		NO.10-18 X .500 FASTNR,SCR,HXWH,STL,ZPLT
4	PE070069	1	STRAIGHT-THRU BUSHING
5	043746-000	1	PNL, ACCESS, W/HEYCO
6	042375-000	1	COVER, OS, RH SS
6	049551-024	1	COVER, OS, RH AR
6	049551-002	1	COVER, OS, RH BK
6	049551-008	1	COVER, OS, RH BU
6	049551-013	1	COVER, OS, RH CB
6	049551-051	1	COVER, OS, RH CN
6	049551-052	1	COVER, OS, RH DJ
6	049551-005	1	COVER, OS, RH GG
6	049551-004	1	COVER, OS, RH SG
6	049551-012	1	COVER, OS, RH VB
6	049551-006	1	COVER, OS, RH WH
6	049551-054	1	COVER, OS, RH WS
7	030191-000	2	GUIDE, RACK
8	042253-000	1	PAN, BROILER, PORCELAIN ASM
9	042287-000	1	KICKPLATE 36
9	042323-024	1	KICKPLATE 36?AR
9	042323-002	1	KICKPLATE 36?BK
9	042323-008	1	KICKPLATE 36?BU
9	042323-013	1	KICKPLATE 36?CB
9	042323-051	1	KICKPLATE 36?CN
9	042323-052	1	KICKPLATE 36?DJ
9	042323-005	1	KICKPLATE 36?GG
9	042323-004	1	KICKPLATE 36?SG
9	042323-012	1	KICKPLATE 36?VB
9	042323-006	1	KICKPLATE 36?WH
9	042323-054	1	KICKPLATE 36?WS
10	044178-000	4	RANGE, LEG, ADJUSTABLE
11	040865-000	1	RACK, PRO, 36
12	040349-000	2	RACK, GLDE, 36, PRO ASSY
13	042372-000	1	COVER, OS, LH SS
13	049552-024	1	COVER, OS, LH AR
13	049552-002	1	COVER, OS, LH BK
13	049552-008	1	COVER, OS, LH BU
13	049552-013	1	COVER, OS, LH CB
13	049552-051	1	COVER, OS, LH CN
13	049552-052	1	COVER, OS, LH DJ
13	049552-005	1	COVER, OS, LH GG
13	049552-004	1	COVER, OS, LH SG
13	049552-012	1	COVER, OS, LH VB
13	049552-006	1	COVER, OS, LH WH
13	049552-054	1	COVER, OS, LH WS
14	042543-000	1	COVER, BACK, 36

Ref #	Part Number	Qty.	Description
1	043692-000	1	DOOR, ASM, 36 SS
1	049557-024	1	DOOR, ASM, 36 AR
1	049557-002	1	DOOR, ASM, 36 BK
1	049557-008	1	DOOR, ASM, 36 BU
1	049557-013	1	DOOR, ASM, 36 CB
1	049557-051	1	DOOR, ASM, 36 CN
1	049557-052	1	DOOR, ASM, 36 DJ
1	049557-005	1	DOOR, ASM, 36 GG
1	049557-004	1	DOOR, ASM, 36 SG
1	049557-012	1	DOOR, ASM, 36 VB
1	049557-006	1	DOOR, ASM, 36 WH
1	049557-054	1	DOOR, ASM, 36 WS
2	043691-000	1	DOOR, OS, KIT, 36, ASM SS
2	049556-024	1	DOOR, OS, KIT, 36, ASM AR
2	049556-002	1	DOOR, OS, KIT, 36, ASM BK
2	049556-008	1	DOOR, OS, KIT, 36, ASM BU
2	049556-013	1	DOOR, OS, KIT, 36, ASM CB
2	049556-051	1	DOOR, OS, KIT, 36, ASM CN
2	049556-052	1	DOOR, OS, KIT, 36, ASM DJ
2	049556-005	1	DOOR, OS, KIT, 36, ASM GG
2	049556-004	1	DOOR, OS, KIT, 36, ASM SG
2	049556-012	1	DOOR, OS, KIT, 36, ASM VB
2	049556-006	1	DOOR, OS, KIT, 36, ASM WH
2	049556-054	1	DOOR, OS, KIT, 36, ASM WS
3	043690-000	1	SKIN, OS, KIT, 36 ASM SS
3	049555-024	1	SKIN, OS, KIT, 36 ASM AR
3	049555-002	1	SKIN, OS, KIT, 36 ASM BK
3	049555-008	1	SKIN, OS, KIT, 36 ASM BU
3	049555-013	1	SKIN, OS, KIT, 36 ASM CB
3	049555-051	1	SKIN, OS, KIT, 36 ASM CN
3	049555-052	1	SKIN, OS, KIT, 36 ASM DJ
3	049555-005	1	SKIN, OS, KIT, 36 ASM GG
3	049555-004	1	SKIN, OS, KIT, 36 ASM SG
3	049555-012	1	SKIN, OS, KIT, 36 ASM VB
3	049555-006	1	SKIN, OS, KIT, 36 ASM WH
3	049555-054	1	SKIN, OS, KIT, 36 ASM WS
4	PD030006	2	CAPPED WASHER PAL NUT
5	PE010030	1	LOGO, 6, PRO, BK
6	006080-000	1	36 DOOR HANDLE, SST
7	003012-000	1	DOOR HANDLE ENDCAP ASSY, RH (CHROME)
8	003011-000	1	DOOR HANDLE ENDCAP ASSY, LH (CHROME)
9	N/P	1	CABINET (MUST ORDER ITEM NO. 3)
10	006086-000	2	DOOR, SKIN, INSULATION, SIDE, 36
11	045404-000	1	RETAINER, INSULATION, DOOR
12	006788-000	1	INSULATION, DOOR, TOP, SUPERWOOL, .25, VDSC530
13	004907-000	1	STEEL FINISHING PLUG, NICKEL PLTD 25/64 HOLE
14	043688-402	1	PNL, LINER, WA, 36 BK
15	046051-000	1	INSULATION, LINER, DOOR, 36
16	025099-000	1	INNER DOOR GLASS, 30
17	PB070014	1	DOOR GLASS SEAL STRIP - WINDOW DRS.
18	L20014077	1	30 WINDOW HOLDER NOT FIELD REPLACEABLE
19	046030-000	1	RETAINER, INSL, 36 INSIDE
20	046000-000	2	HINGE, NUOVA STAR, BLUE