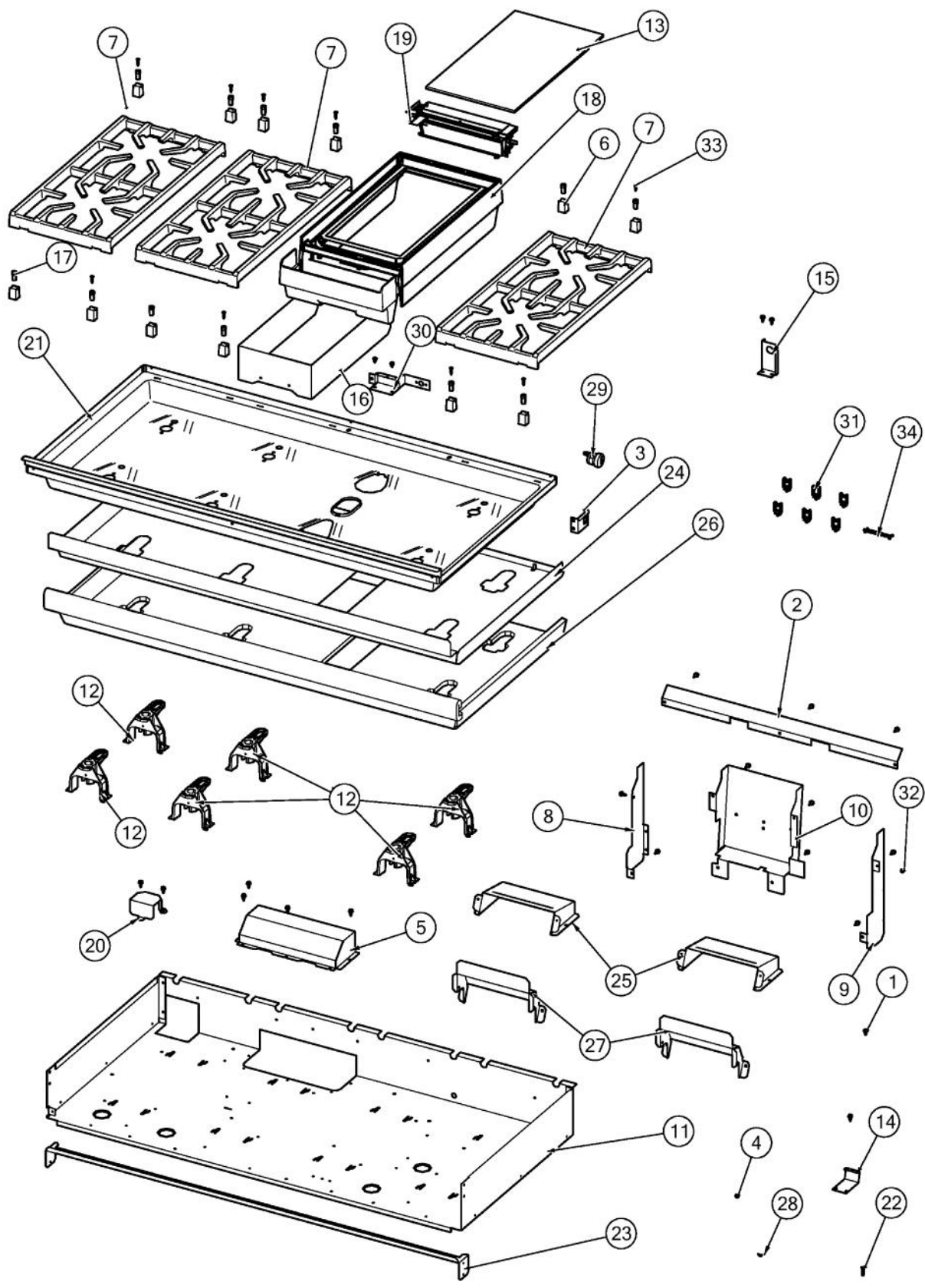
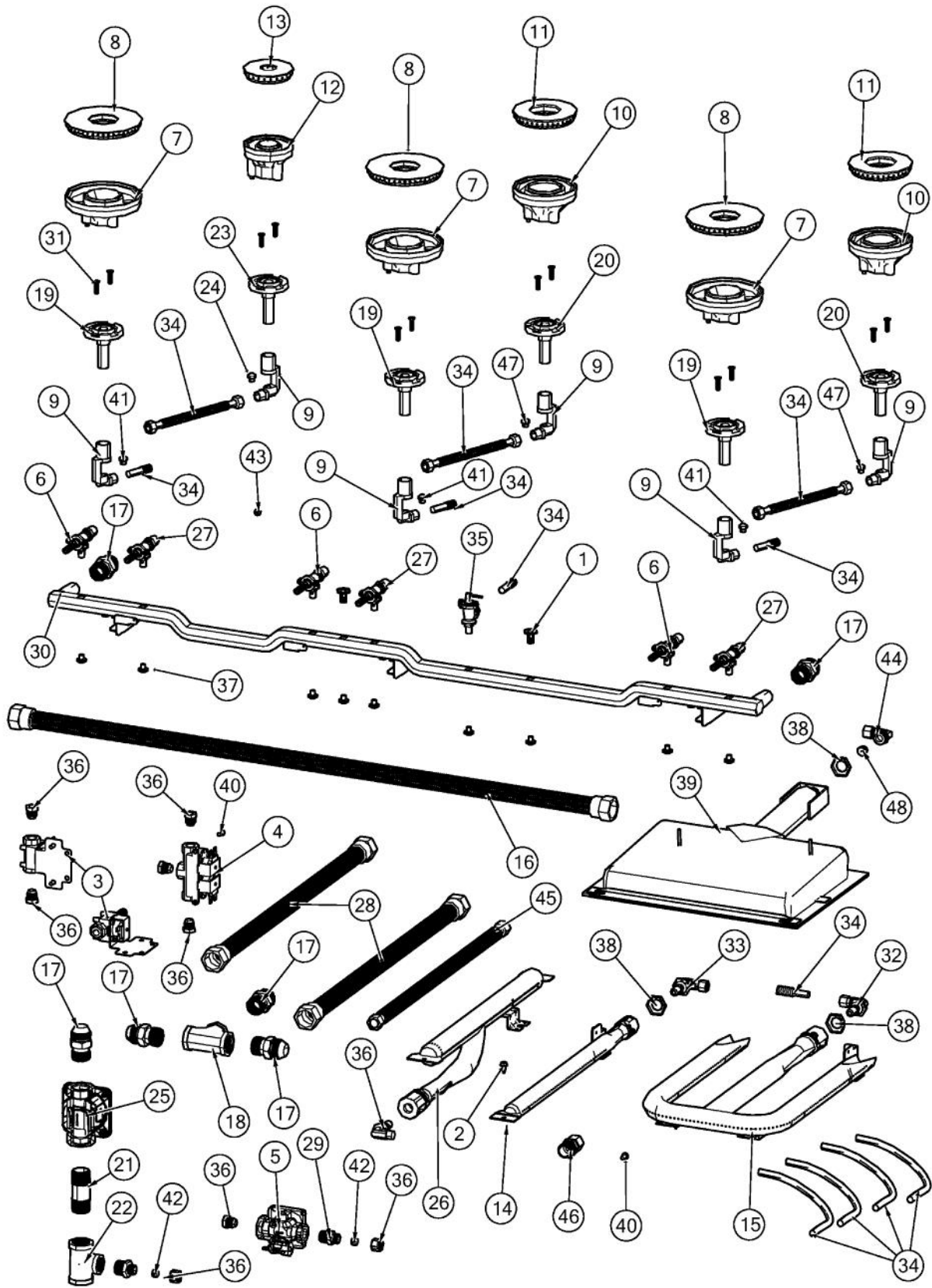


Ref #	Part Number	Qty.	Description
1	003860-000		NO.10-18 X .500 FASTNR,SCR,HXWH,STL,ZPLT
2	005536-000	2	TRIM
3	006192-000	3	VENT, ASM, OVEN ASSEMBLY
4	009005-000	2	GASKET CLIP RAW
5	012438-000	2	SWITCH, LIM, BRKT
6	014747-000	4	BRACKET, BNR, SIDE, BLUE PORCELAIN
7	020409-000	1	BRACKET, SPRT, FR, I/R BROILER
8	020412-000	1	BRACKET, SPRT, REAR, I/R BROILER
9	021225-402	1	COVER, CNVN, ASM, BK PORC
10	031445-402	2	BRACE, OVEN, BOTTOM, BACK
11	033668-000	1	BRACKET, DISCONNECT
12	037304-000		FASTENER, PNH, TORX, AB, PSVD, WAX
13	038705-000	1	TRAY, REGULATOR
14	040736-000	2	BRKT, ORF
15	042339-000	1	PANEL, INSL, RH
16	042346-000	1	DIVERTER, AIR, LH
17	042799-000	1	PANEL, INSL, 48 TOP
18	N/P	1	CABINET (NOT FIELD REPLACEABLE)
19	042866-402	1	TRIM, CTR, VGR7488B, BLK
20	042867-000	1	PANEL, INSL, LH, SHORT
21	042868-000	1	PANEL, INSL, RH, SHORT
22	042875-000	1	PANEL, INSL, BACK, 18
23	044793-000	1	GASKET, LINER, ASM, AG 30
24	049500-000	1	PANEL, INSL, BACK, 30
25	045060-000	2	RECEIVER, HINGE, SLOW-CLOSE, UNDAMPENED
26	N/P	1	CABINET (NOT FIELD REPLACEABLE)
27	045736-402	1	FRAME, FR, WELDMENT, 18 BK
28	045774-000	1	SHELF, SUPPLY, POWER, ASSY
29	045786-000	2	RECEIVER, HINGE, SLOW-CLOSE, DAMPENED
30	046065-000	1	BRACKET, SWITCH, OVEN LIGHT
31	046128-000	1	GASKET, LINER, ASM, AG, 18
32	046187-000	2	SHIELD, WATER, DIVERTER
33	046361-000	1	BRACE, BOT, LH, CAVITY 18
34	046409-000	1	BRCKT, RETAINER, REGULATOR
35	046489-000	1	DIVERTER, AIR, RH
36	046651-000		SCREW, TRILOBE, 10-32, TRUSS, PH, BLACK
37	047055-000	2	BRACKET, LEG, OFFSET
38	047065-000	2	BRACE, BTM, INSUL, RETAINER
39	048048-000	1	BRKT, SWITCH, LIM, HIGH
40	A2004429	2	OVEN BOTTOM INSUL. BRACE (VGSC306)
41	044513-000	1	OVEN, CVTY, BTM, 30
42	G9105587	1	OVEN BOTTOM
43	PC030007	6	LEG PLATE - 3/4 THREADED HOLE
44	PD040005	1	SNAP BUSHING - 7/8
45	043907-000	1	BASE, BOT, 48 GAS
46	042343-000	1	PANEL, INSL, LH
47	G9104438BK	1	OVEN, BOTTOM, ASM,PORCELAIN, BK
48	PB070079	4	SILICONE EXTRUSION (DGSU)
49	008200-000	1	FAN BRACKET?
50	044044-000	2	GROMMET, SWITCH, DOOR, RBR
51	A2004428	1	REAR BOTTOM BRCKT (VGSC306)
52	046186-000	2	BRACKET, SHIM, RECEIVER, HINGE
53	046185-000	2	BRACKET, SHIM, RECEIVER, HINGE
54	045548-000	20	CLIP, ROUTING, WIRE?
55	043800-000	4	BUMPER, RBR, BLK
56	046595-000	10	WASHER, FIBER, BLACK
57	PD020010	5	10 X 3/8 GREEN GROUNDING SCREW
58	045528-000	4	STANDOFF, LOCKING CLIP

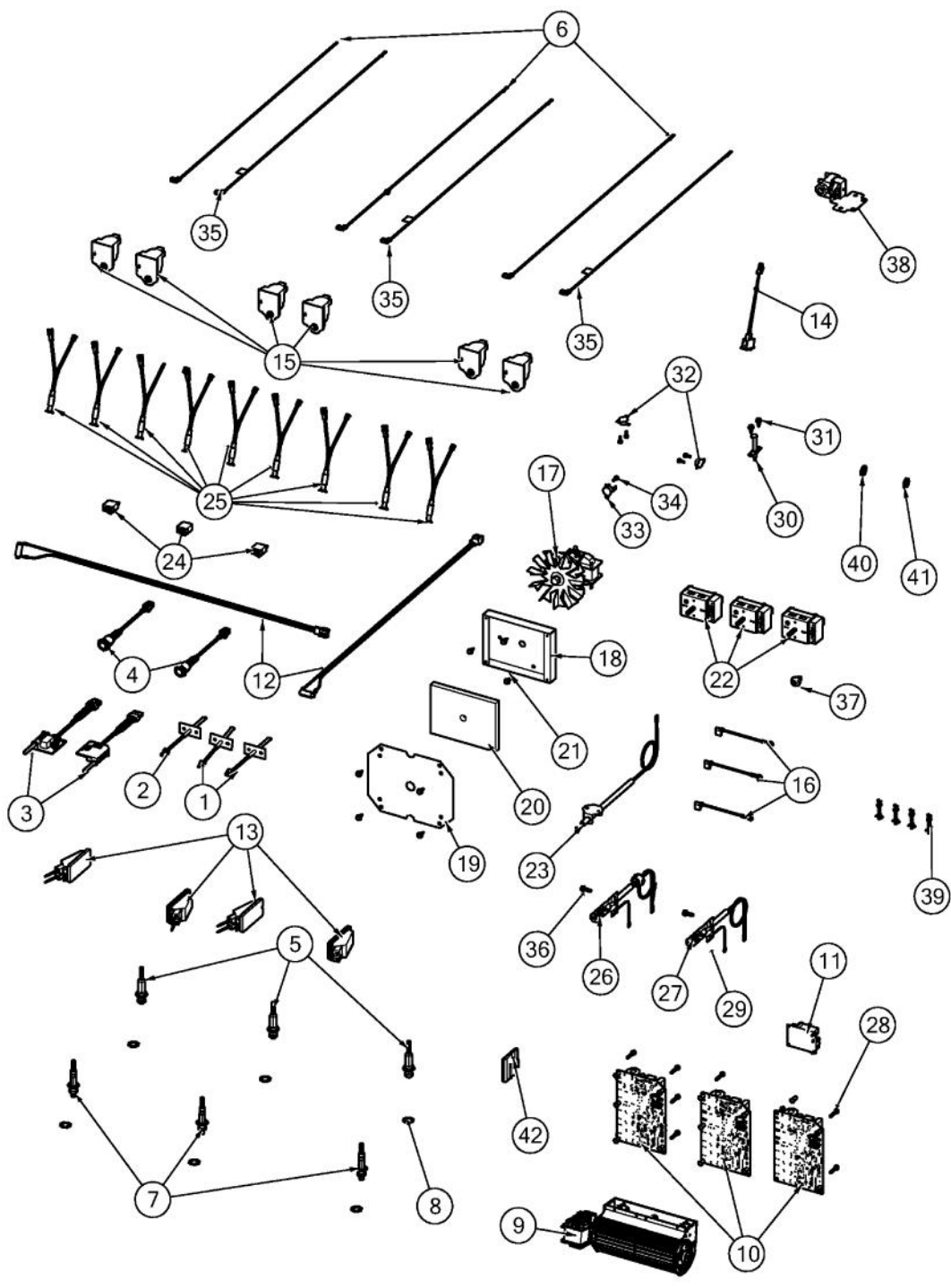
Ref #	Part Number	Qty.	Description
58	045528-000	4	STANDOFF, LOCKING CLIP
59	045550-000	2	SADDLE, WIRE, EDGE
60	045551-000	1	CLIP, HARNESS, STANDOFF
61	004526-000		FASTENER,SCR,TPGS,TRH,PHLP,NO.10-1/2
62	046677-000	4	INSULATION, FBGL, RECEIVER, DAMPENING
63	A2002654	1	ANTI-TIP DEVICE (VDSC)
NI	PD010018	2	TOGGLE BOLT (3/16 X 2) (USED WITH ITEM NO. 63)
NI	PD020012	1	NO.10 X 1/2 TRIM HEX HD. TAP SCREW (USED WITH ITEM NO. 63)
64	PD020002	4	10 X 1/2 PH.TR.HD.SMS.
65	045666-402	1	FRAME, FR, WELDMENT, 30 BK



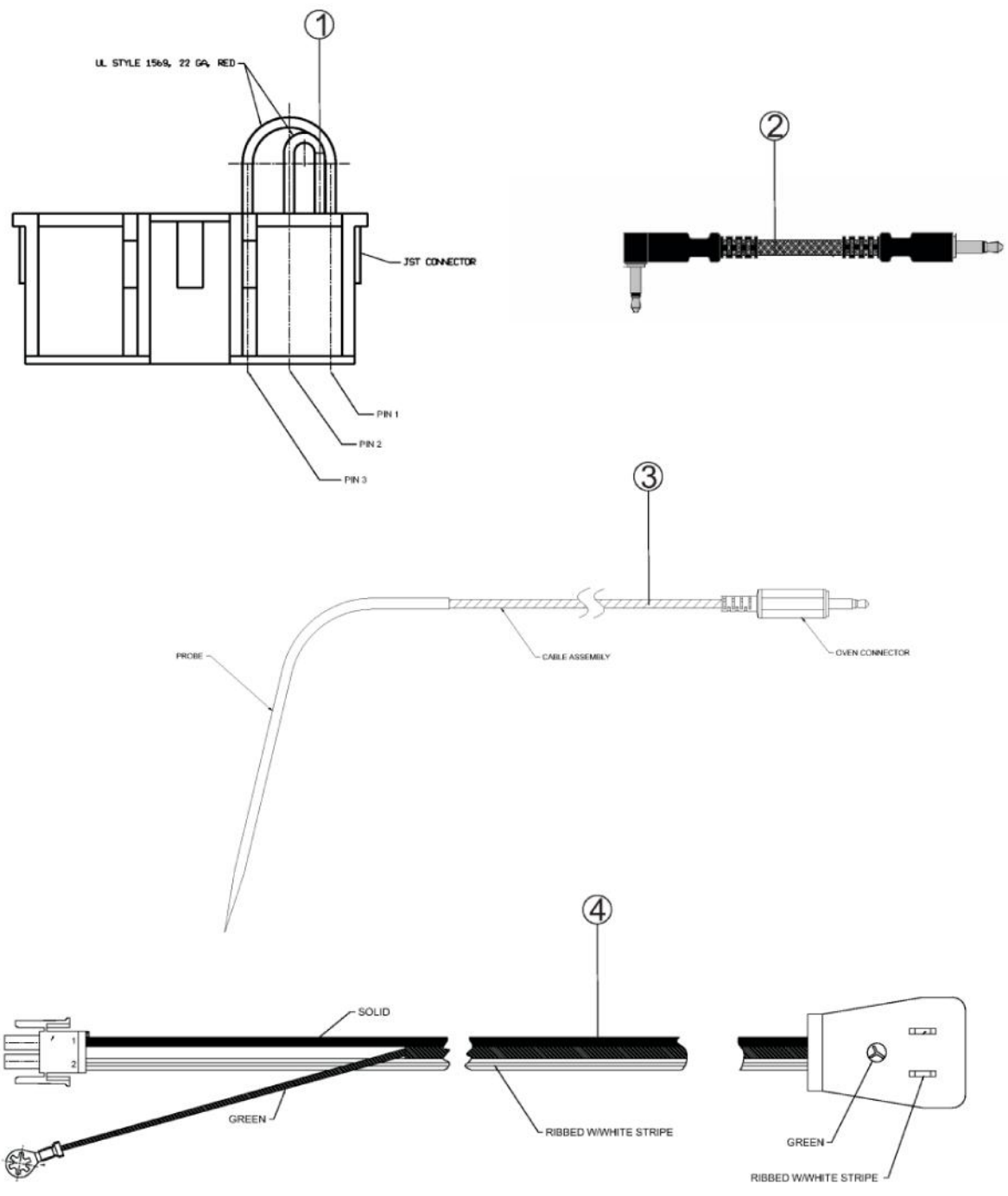
Ref #	Part Number	Qty.	Description
1	014143-000		SCR 10-12 A SHLD TRP 1/2 S ZN BLUE
2	031313-000	1	DIVERTER, AIR 36
3	033668-000	1	BRACKET, DISCONNECT
4	037304-000		FASTENER, PNH, TORX, AB, PSVD, WAX
5	042350-000	1	COVER, FAN
6	042410-000	12	SUPPORT, GRATE
7	042545-000	3	GRATE, CAST, 12
8	042741-000	1	DIVERTER, BRKT, RH
9	042742-000	1	DIVERTER, BRKT, LH
10	042785-000	1	COVER, BLO
11	N/P	1	CABINET
12	044486-000	6	SUPPORT, HLDR, JET
13	044873-000	1	PLATE, W/A, 12 GRIDDLE
14	045840-000	2	BURNER, HOLDER, REAR
15	045888-000	1	BRKT, GRDL
16	046854-000	1	SHIELD, HEAT
17	046873-000	12	SILENCER, GRATE
18	047069-000	1	BASE, SUMP, GRIDDLE, ASM
19	047072-000	1	TROUGH, GRS, GRIDDLE, ASM
20	048188-000	1	BRACKET, TEE, PIPE
21	049053-402	1	PAN, BNR, SHIM, ASM, BLK, 48 GRIDDLE
22	049534-000	1	SCREW, 8-32 X 3/4, PHIL, FLAT
23	049728-000	1	BRACKET, MTG, 48 CONTROL PANEL
24	049749-000	1	TRAY, INSULATION, BURNER PAN, GRIDDLE, 48
25	049753-000	2	SHIELD, HEAT, HARNESS, BTM
26	049776-000	1	INSULATION, LINER, GRIDDLE, BURNER PAN, 48
27	049964-000	2	SHIELD, HEAT, HARNESS, TOP
28	PD020068	1	NO.10 - 32 X 1/2TRUSS. PHIL. M.XSSX
29	PE070069	1	STRAIGHT-THRU BUSHING
30	045843-000	1	BRKT, BURNER, SPT
31	045548-000	6	CLIP, ROUTING, WIRE?
32	PD020010	1	10 X 3/8 GREEN GROUNDING SCREW
33	PD020061	12	NO.8 X 3/4 FLAT HD TEK. SS.
34	048961-000	1	STANDOFF, TWIST LOCK, TALL



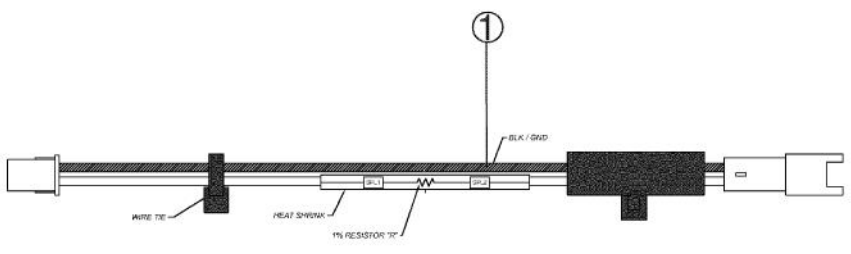
Ref #	Part Number	Qty.	Description
1	002884-000	1	MANIFOLD PLUG
2	003860-000		NO.10-18 X .500 FASTNR,SCR,HXWH,STL,ZPLT
3	009111-000	3	VALVE, SOL, SINGLE
4	009112-000	1	VALVE, SOL, DOUBLE
5	031818-000	1	REGULATOR, DUAL OUTLET
6	043134-000	3	VALVE, BNR, 9/16-24 UNEF ASSY - NAT
7	043158-000	3	E-BURNER BASE
8	043159-000	3	E-BURNER HEAD
9	043208-000	6	HOLDER, JET, BURNER
10	043249-000	2	BASE, BNR, D
11	043251-000	2	D-BURNER HEAD
12	043790-000	1	BURNER, BASE, C-SIZE
13	043791-000	1	BURNER, HEAD, BRS, C-SIZE
14	044039-000	1	BURNER, BAKE, ASM, 18 STRAIGHT
15	044096-000	1	BURNER, BAKE, ASM, 30
16	044313-000	1	TUBING, 3/4 FLEX, SST, 38
17	044321-000	6	FITTING, ADAPTOR, 3/4 FLEX TUBING
18	044323-000	2	TEE, PIPE, 3/4
19	044485-000	3	VENTURI, E NAT, FLANGE, BNR - NAT
20	044487-000	2	VENTURI, D NAT, D LP, FLANGE, BNR
21	044637-000	1	NIPPLE, PIPE, 2-1/2, 3/4 NPTM TO 3/4 NPTM
22	044638-000	1	TEE, PIPE, 3/4 NPTF TO 1/2 NPTM
23	044686-000	1	VENTURI, C NAT, C LP, FLANGE, BNR
24	044688-000	1	ORIFICE, BNR, STD, 1.22MM - NAT
25	046119-000	1	PRESSURE REGULATOR - NAT
26	046133-000	1	BURNER, GRIDDLE
27	046197-000	3	VALVE, BNR, 9/16-24 UNEF ASSY - NAT
28	046399-000	2	TUBING, 3/4 FLEX, SST, 20
29	046826-000	1	ADAPTOR, COMPRESSION, 3/8 NPTM X 3/8 TUBE O.D.
30	046908-000	1	MANIFOLD, GRIDDLE, GAS, 48 ASM
31	046964-000		SCREW, 10-32 X 3/4, CTSK, BLACK
32	048029-000	1	90 DEG ORIFICE FITTING NO.50 DRILL
33	048031-000	1	90 DEG ORIFICE FITTING, NO.39 DRILL
34	PB020191	12	15 FLEX TUBE
35	PB030007	1	SHUT OFF VALVE
36	PB040190	9	90 DEGREE ORIFICE FITTING NO.50 NAT
37	PD010012	8	VALVE BOLT 1/4-20 UNC-2B 5/16 M.S.
38	PD030018	3	PALNUT - 3/4-16
39	G3001876	1	IR BURNER ASSY (VGSC/RC) N/S
40	PD020004		10X3/8PH.HD.TYPE 25 REPL PD040125
41	043675-000	3	ORIFICE, BNR, STD, 2.18MM - NAT
42	PB040192	2	3/8` CC FERREL (DGCU)
43	037304-000		FASTENER, PNH, TORX, AB, PSVD, WAX
44	PB040178	1	90 DEGREE ORIFICE FITTING (VGSC306)
45	039214-000	1	TUBING, FLEX, SST, 18
46	000845-000	1	1/2 COMP TO 1/2 MALE NPT ADAPTER
47	043677-000	2	ORIFICE, BNR, STD, 1.78MM - NAT
48	PB040026	1	IR BURNER ORIFICE - NO.48 NAT.



Ref #	Part Number	Qty.	Description
1	PE050206	2	RTD THERMOSTAT PROBE
2	007008-000	1	RTD PROBE
3	045032-000	2	SWITCH, DOOR, W-CONNECTOR, ASM
4	044195-000	2	SWITCH, PB-LT, 5WIRE, ASSY
5	043067-000	3	ELECTRODE , ASM, D?
6	028312-000	3	WIRE, ELECTRODE,IRIS,REAR?
7	043065-000	3	ELECTRODE, ASM E?
8	045932-000	6	WASHER, ELECTRODE?
9	019959-000	1	FAN, COOLING, DUAL, 120V X 180MM
10	043453-000	3	MODULE, DSI
11	046359-000	1	SUPPLY, POWER, ASM
12	008880-000	2	MEAT PROBE RECEPTACLE ASM
13	005311-000	4	120V/25W HALOGEN LIGHT
14	046283-000	1	SWITCH, LIGHTS, ACCENT W/CONN?
15	PA020058	6	IRIS SINGLE SPARK MODULE
16	043994-000	3	WIRE, GROUND, 5
17	023089-000	1	MOTOR, CONVECTION, 120V/60HZ
18	021197-000	1	BOX, INSULATION, FAN
19	021199-000	1	COVER, BOX, INSULATION
20	PB070208	1	CONVECTION FAN INSULATION
21	003860-000	1	NO.10-18 X .500 FASTNR,SCR,HXWH,STL,ZPLT
22	038413-000	3	TSTAT,SMPS, ELEC, 2-POS, .91 SHAFT, CB
23	043615-000	1	ASSEMBLY, ELECTRODE
24	043135-000	3	HOUSING, LIGHT, LED, BLUE 3.3V
25	044929-000	9	LAMP, LED, 12VDC, WHITE, PLUG, RECEP, ASM
26	043611-000	1	ASSEMBLY, ELECTRODE W/LEAD, BAKE
27	043657-000	1	ELECTRODE W/LEAD, BAKE, ASSY?
28	M0211021	1	SCREW-SM
29	PD020006	1	NO.6-32 X 1/4 PH.PAN HD. T(F)
30	PA020028	1	SPARK IGNITER
31	003860-000	1	NO.10-18 X .500 FASTNR,SCR,HXWH,STL,ZPLT
32	PJ030022	2	HIGH LIMIT SWITCH
33	048014-000	1	SWITCH, LIM, HIGH, 90 DEG C
34	PD020067	1	NO.6 X 3/8 PAN PHIL. TEK SS
35	028324-000	3	WIRE, ELECTRODE,IRIS,FRONT?
36	M0238731	1	SCREW-SM
37	037304-000	1	FASTENER, PNH, TORX, AB, PSVD, WAX
38	009111-000	1	VALVE, SOL, SINGLE
39	045528-000	4	STANDOFF, LOCKING CLIP
40	008882-000	1	FASTENER, WSHR, LCKG, 1/4 I.D.
41	008883-000	1	FASTENER, NUT, SST, 1/4 32
42	049878-000	1	CORD, CLIP, ADHESIVE
NI	048831-000	1	KITCHEN THERMOMETER P/N 1KT002 VIKING OVERLAY
NI	049043-000	1	HARN, GRIDDLE, VDR748, MAIN, LH
NI	049046-000	1	HARN, GRIDDLE, VDR748, CP, LH

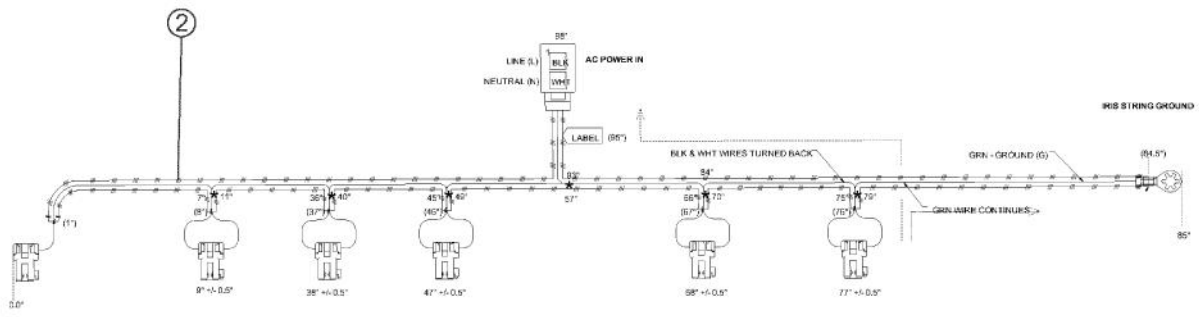
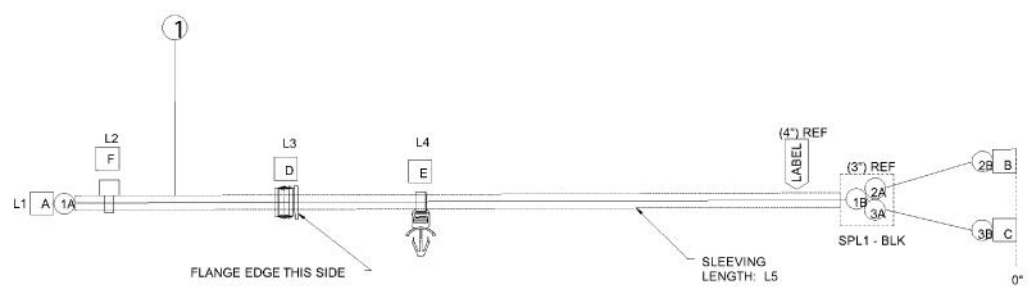


Ref #	Part Number	Qty.	Description
1	038655-000	1	GRIDDLE,JUMPER,BRIGADE
2	046021-000	1	CORD, ADPT, M-M, 2.5TS, 2.5TS, SST
3	046020-000	1	PROBE, MEAT, OVEN, IGRILL, SST, 3.5MM
4	044747-000	1	CORD, SUPPLY, CORD

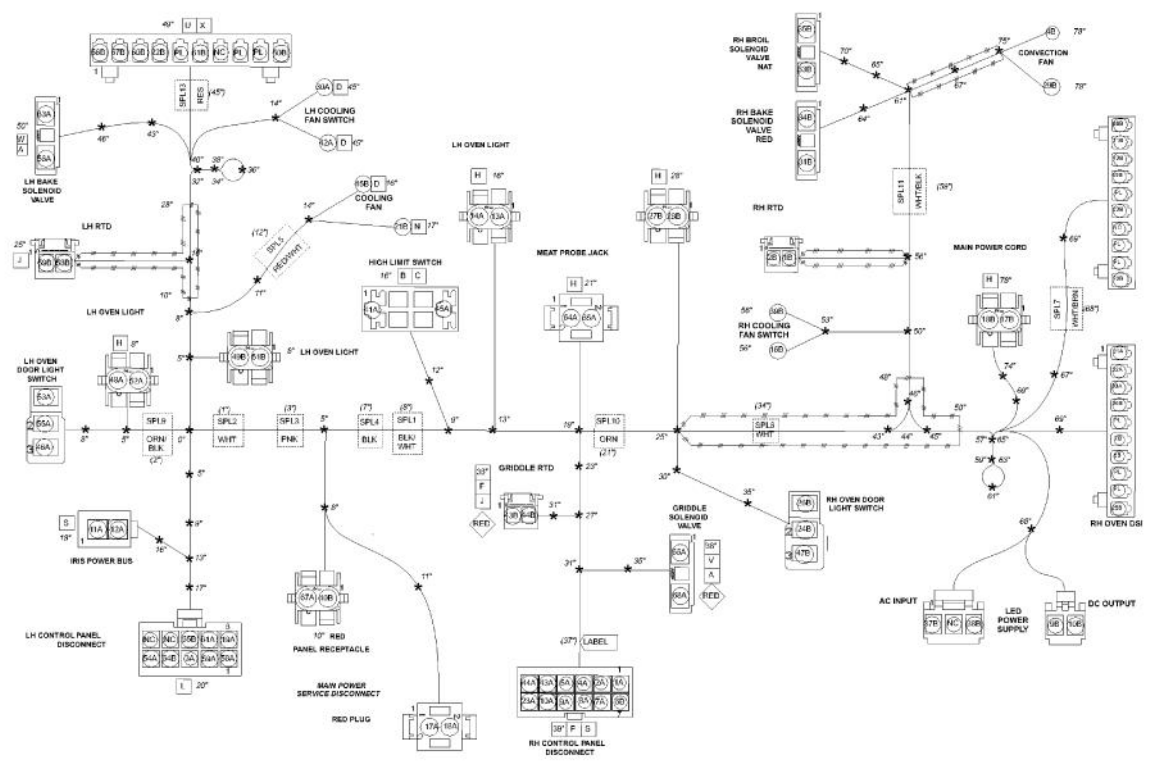


Ref #	Part Number	Qty.	Description
1	048810-000	1	HARNESS, LED, RES, JUMPER

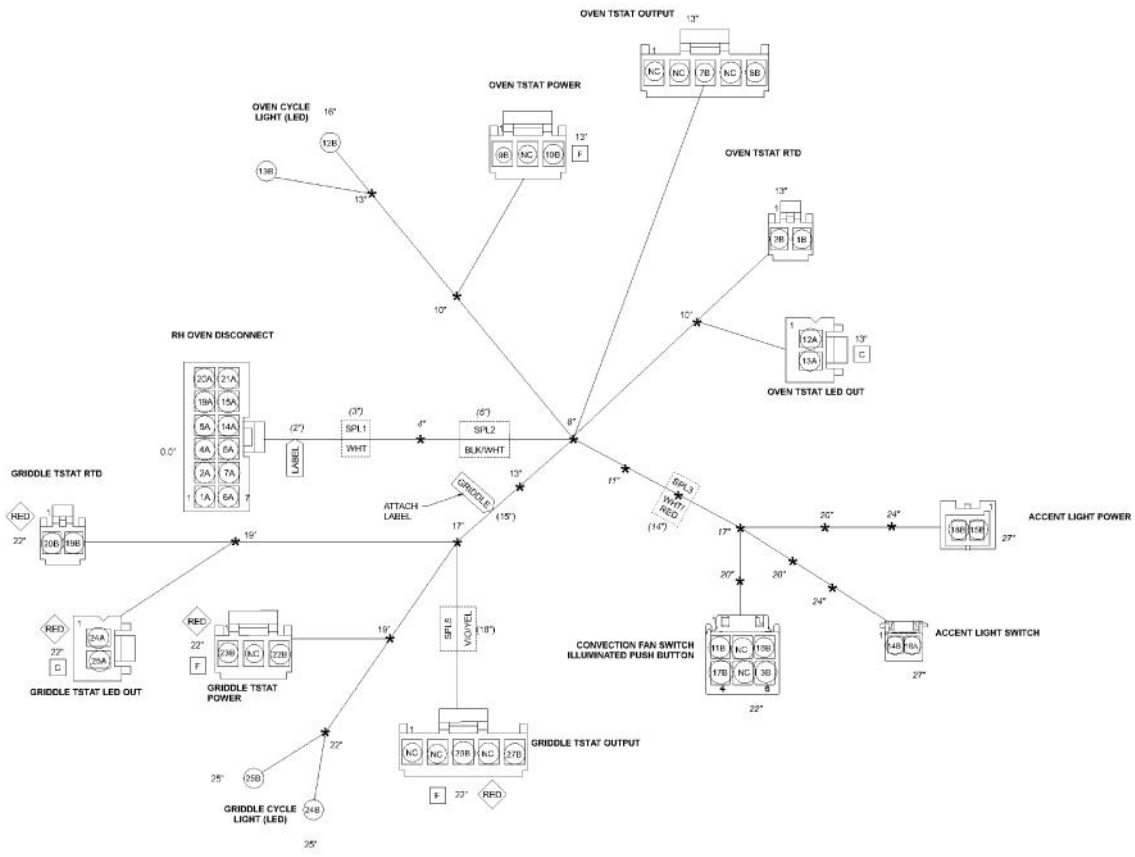
4



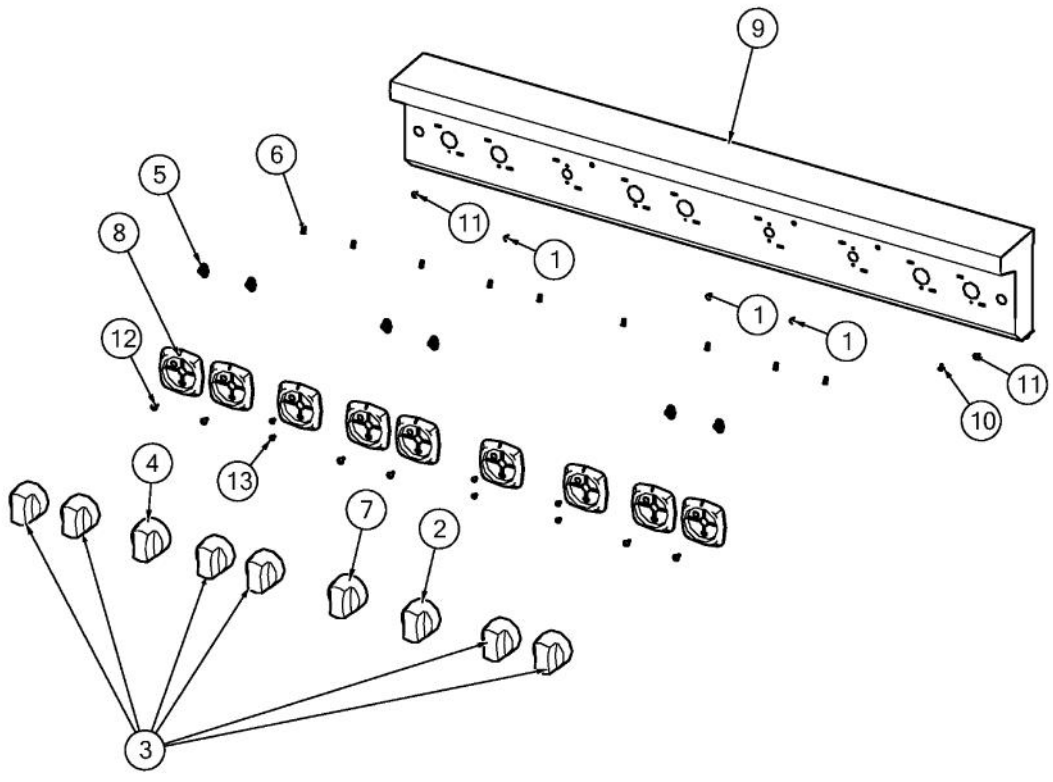
Ref #	Part Number	Qty.	Description
1	049310-000	1	HARN, VGR7364G, ELECTRODE, GRIDDLE
2	049047-000	1	HARN, IRIS, 48, 6G, W/CONN



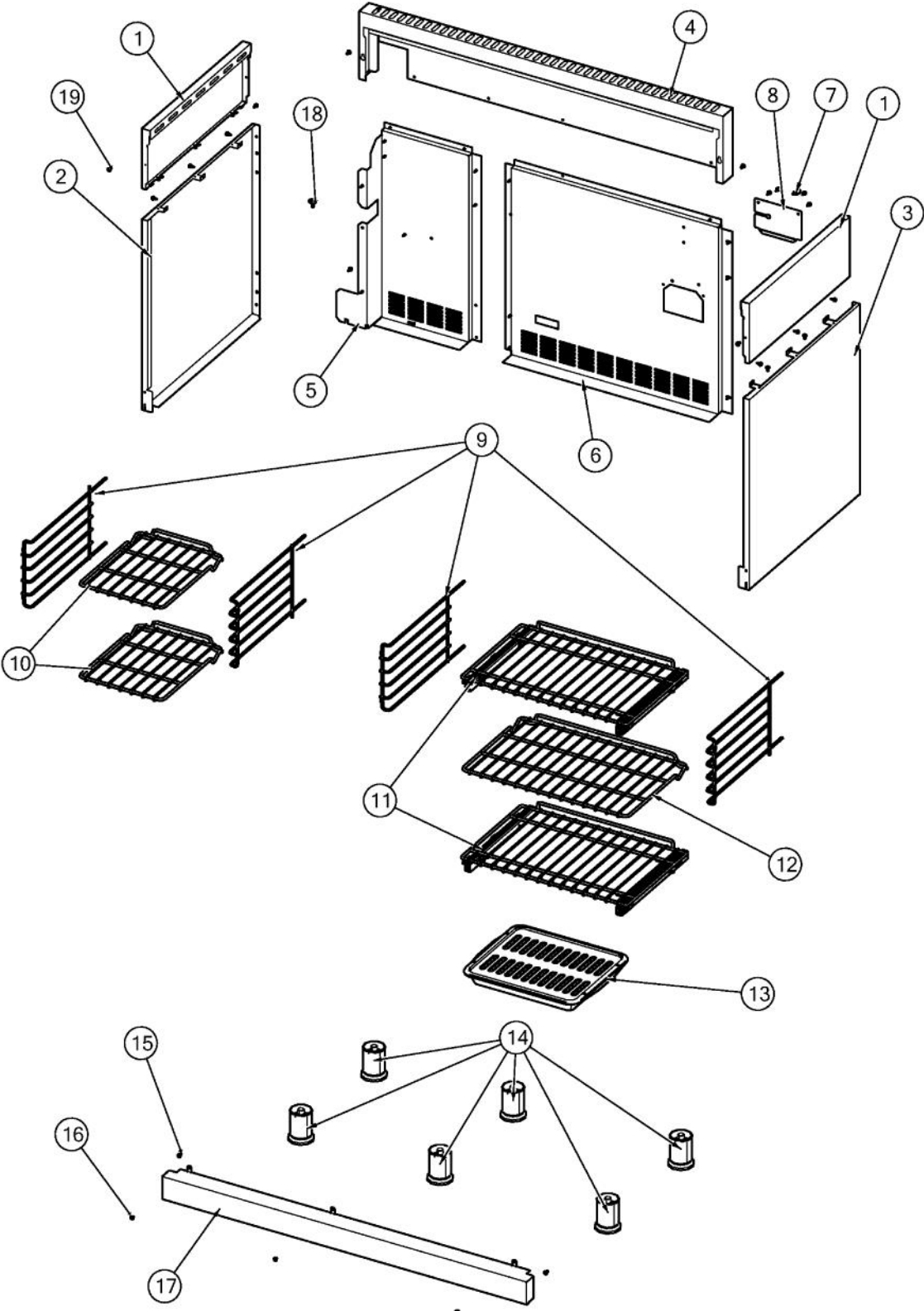
Ref #	Part Number	Qty.	Description
NI	049044-000	1	HARN, GRIDDLE, VDR748, MAIN, RH



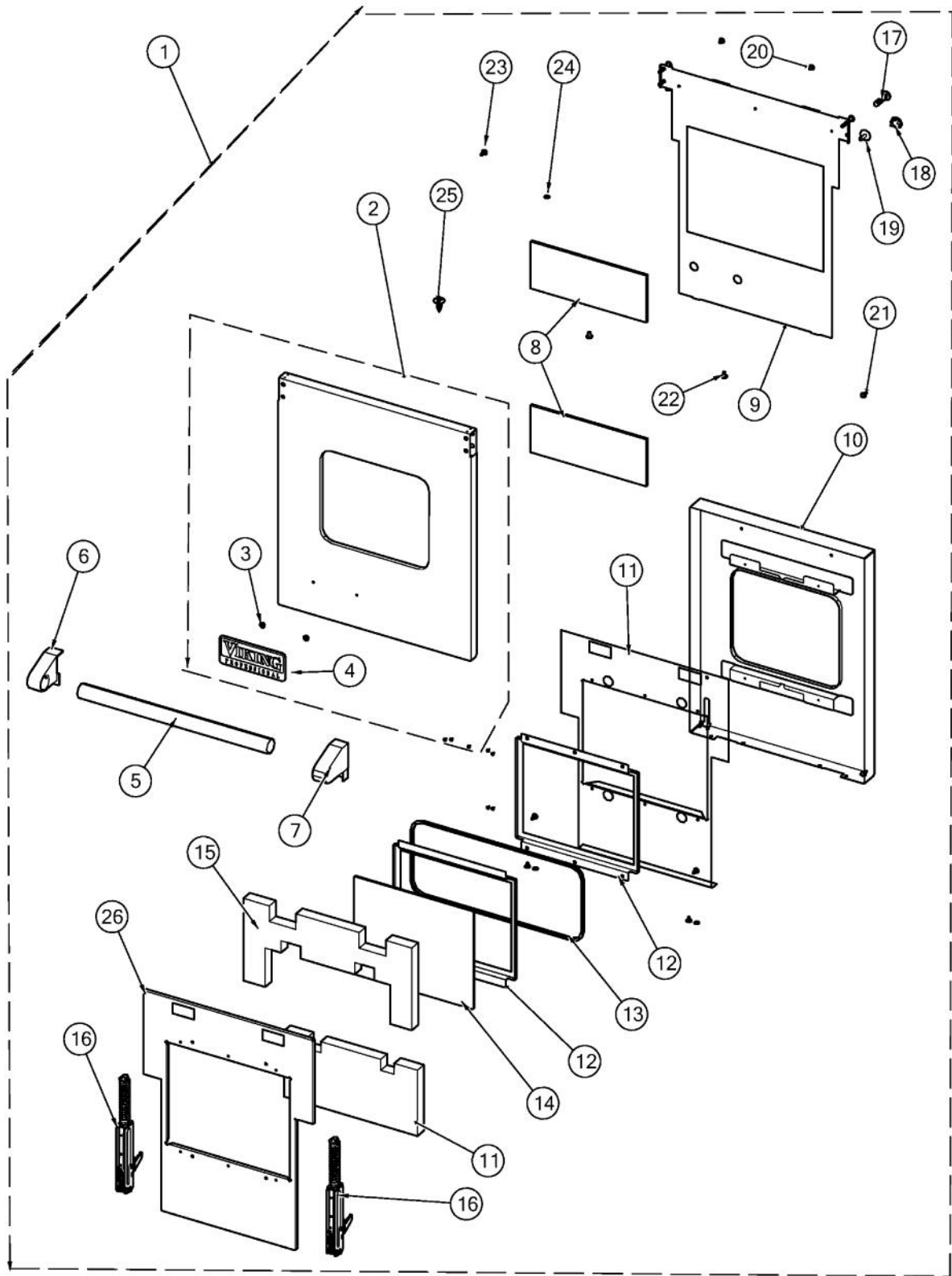
Ref #	Part Number	Qty.	Description
NI	049045-000	1	HARN, GRIDDLE, VDR748, CP, RH



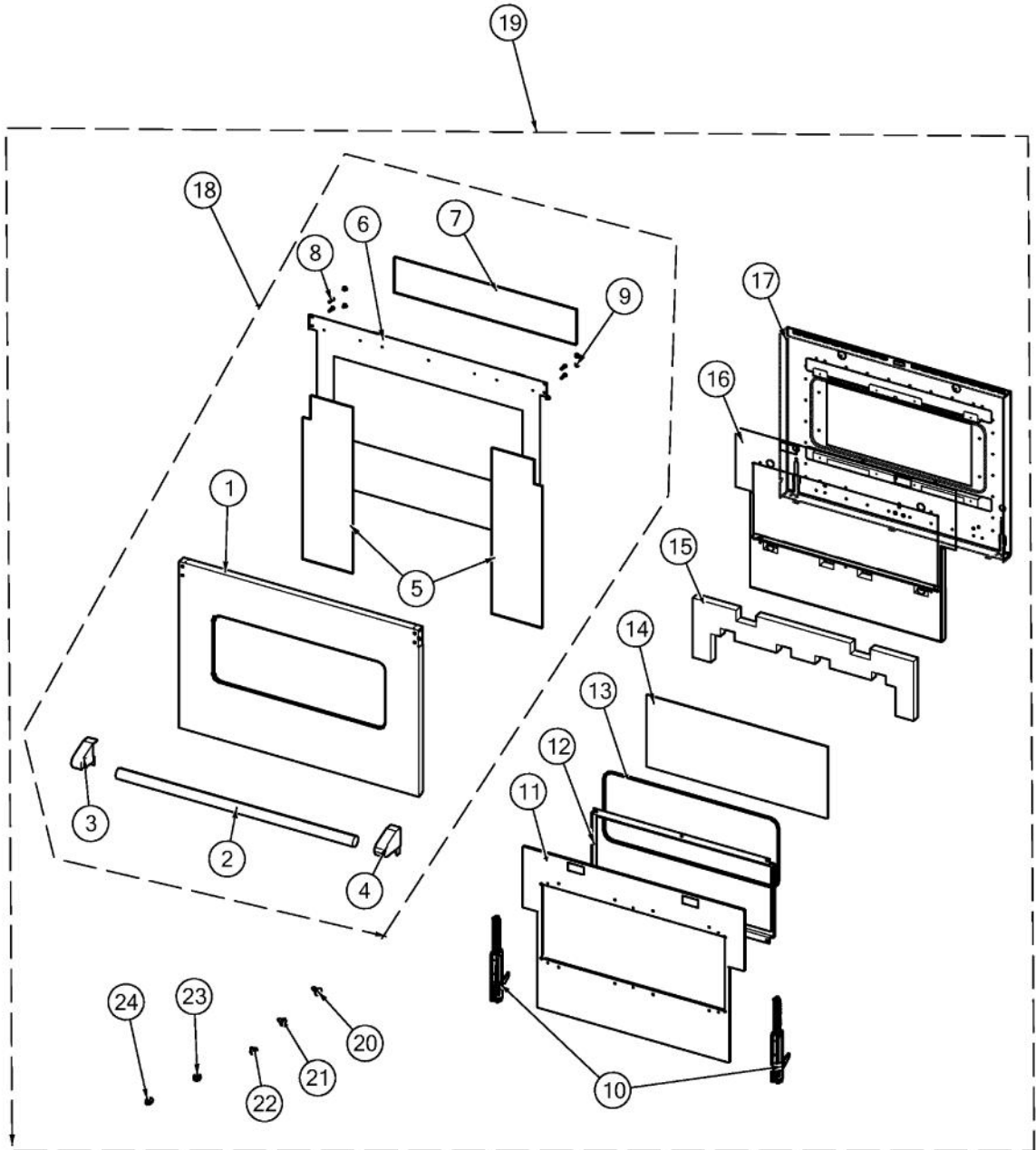
Ref #	Part Number	Qty.	Description
1	027968-000	3	INDICATOR, LIGHT, BLUE
2	042557-000	1	KNOB, ASSY, T`STAT, OVEN, A/G
3	042558-000	6	KNOB, ASSY, BURNER
4	042563-000	1	KNOB, ASSY, T`STAT, OVEN, LH, A/G?
5	044512-000	6	BEARING, BEZEL, ASM
6	044937-000	9	LENS, COVER, LED, CLEAR
7	045725-000	1	KNOB, THERMOSTAT, GRIDDLE ASSY
8	048309-000	9	BZL, KNOB
9	048865-2643	1	PANEL, CTRL, VGR7486G ASM, W/GRAPHICS
10	PD020032	1	SRW-8(A)X3/8PH.WFR HD 7/16DIAXNICL
11	PD020073	2	SRW NO.10 X 24 X 3/8 WAFER HD TYPE23
12	PD020046	6	NO.8 X 1/2 SCREWS
13	PD020269	6	NO.8 PAN HEAD SCREW



Ref #	Part Number	Qty.	Description
1	042884-000	2	COVER, OS, RH/LH UPPER?
2	042372-000	1	COVER, OS, LH SS
2	049552-024	1	COVER, OS, LH AR
2	049552-002	1	COVER, OS, LH BK
2	049552-008	1	COVER, OS, LH BU
2	049552-013	1	COVER, OS, LH CB
2	049552-051	1	COVER, OS, LH CN
2	049552-052	1	COVER, OS, LH DJ
2	049552-005	1	COVER, OS, LH GG
2	049552-022	1	COVER, OS, LH SG
2	049552-012	1	COVER, OS, LH VB
2	049552-006	1	COVER, OS, LH WH
2	049552-054	1	COVER, OS, LH WS
3	042375-000	1	COVER, OS, RH SS
3	049551-024	1	COVER, OS, RH AR
3	049551-002	1	COVER, OS, RH BK
3	049551-008	1	COVER, OS, RH BU
3	049551-013	1	COVER, OS, RH CB
3	049551-051	1	COVER, OS, RH CN
3	049551-052	1	COVER, OS, RH DJ
3	049551-005	1	COVER, OS, RH GG
3	049551-022	1	COVER, OS, RH SG
3	049551-012	1	COVER, OS, RH VB
3	049551-006	1	COVER, OS, RH WH
3	049551-054	1	COVER, OS, RH WS
4	042797-000	1	TRIM, IS, VGR, 48?
5	044140-000	1	COVER, BACK, 18
6	042806-000	1	COVER, BACK, 30
7	PE070069	1	STRAIGHT-THRU BUSHING
8	043746-000	1	PNL, ACCESS, W/HEYCO
9	030191-000	4	GUIDE, RACK
10	040963-000	2	RACK, PRO, 18
11	040345-000	2	RACK, GLDE, 30, PRO ASSY
12	040863-000	1	RACK, PRO, 30
13	042253-000	1	PAN, BROILER, PORCELAIN ASM
14	044178-000	6	RANGE, LEG, ADJUSTABLE
15	003801-000		SHOULDER SCREW, NO.10
16	PD020032		SRW-8(A)X3/8PH.WFR HD 7/16DIAXNICL
17	038605-000	1	KICKPLATE, RNG SS
17	038606-024	1	KICKPLATE, RNG AR
17	038606-002	1	KICKPLATE, RNG BK
17	038606-008	1	KICKPLATE, RNG BU
17	038606-013	1	KICKPLATE, RNG CB
17	038606-051	1	KICKPLATE, RNG CN
17	038606-052	1	KICKPLATE, RNG DJ
17	038606-005	1	KICKPLATE, RNG GG
17	038606-022	1	KICKPLATE, RNG SG
17	038606-012	1	KICKPLATE, RNG VB
17	038606-006	1	KICKPLATE, RNG WH
17	038606-054	1	KICKPLATE, RNG WS
18	PD020073		SRW NO.10 X 24 X 3/8 WAFER HD TYPE23
19	014143-000		SCR 10-12 A SHLD TRP 1/2 S ZN BLUE



Ref #	Part Number	Qty.	Description
1	044061-000	1	DOOR, ASM, 18
1	049583-024	1	DOOR, ASM, 18 AR
1	049583-002	1	DOOR, ASM, 18 BK
1	049583-008	1	DOOR, ASM, 18 BU
1	049583-013	1	DOOR, ASM, 18 CB
1	049583-051	1	DOOR, ASM, 18 CN
1	049583-052	1	DOOR, ASM, 18 DJ
1	049583-005	1	DOOR, ASM, 18 GG
1	049583-022	1	DOOR, ASM, 18 SG
1	049583-012	1	DOOR, ASM, 18 VB
1	049583-006	1	DOOR, ASM, 18 WH
1	049583-054	1	DOOR, ASM, 18 WS
2	046194-000	1	DOOR, OS, KIT, 18 ASM SS
2	049584-024	1	DOOR, OS, KIT, 18 ASM AR
2	049584-002	1	DOOR, OS, KIT, 18 ASM BK
2	049584-008	1	DOOR, OS, KIT, 18 ASM BU
2	049584-013	1	DOOR, OS, KIT, 18 ASM CB
2	049584-051	1	DOOR, OS, KIT, 18 ASM CN
2	049584-052	1	DOOR, OS, KIT, 18 ASM DJ
2	049584-005	1	DOOR, OS, KIT, 18 ASM GG
2	049584-022	1	DOOR, OS, KIT, 18 ASM SG
2	049584-012	1	DOOR, OS, KIT, 18 ASM VB
2	049584-006	1	DOOR, OS, KIT, 18 ASM WH
2	049584-054	1	DOOR, OS, KIT, 18 ASM WS
3	PD030006	2	CAPPED WASHER PAL NUT
4	PE010030	1	LOGO, 6, PRO, BK
5	006221-000	1	18 DOOR HANDLE, SST
6	003011-000	1	DOOR HANDLE ENDCAP ASSY, LH (CHROME)
7	003012-000	1	DOOR HANDLE ENDCAP ASSY, RH (CHROME)
8	006220-000	2	INSULATION, DOOR, SKIN, TOP, VDSC18
9	N/A	1	HEAT SHIELD - MUST ORDER ITEM NO. 11 (NOT FIELD REPLACEABLE)
10	044070-402	1	PNL, LINER, WA, 18 BK
11	N/P	1	CABINET (NOT FIELD REPLACEABLE)
12	006217-000	1	18 WINDOW HOLDER
13	PB070014	1	DOOR GLASS SEAL STRIP - WINDOW DRS.
14	046136-000	1	GLASS, DOOR, INNER
15	046372-000	1	INSULATION, LINER, DOOR, 18
16	046002-000	2	HINGE, NUOVA STAR, YELLOW
17	002736-000		NO.10-32 PAN HEAD PHILLIPS MACHINE SCREW
18	004907-000		STEEL FINISHING PLUG, NICKEL PLTD 25/64 HOLE
19	PD020073		SRW NO.10 X 24 X 3/8 WAFER HD TYPE23
20	PD020063		SCREW-NO.8(A) X 3/8PH WFR HD/BK OXID
21	003860-000		NO.10-18 X .500 FASTNR,SCR,HXWH,STL,ZPLT
22	PD020033		SRW-NO.10-24X1/2T(23)PH.WFR HD (NKL)
23	046651-000		SCREW, TRILOBE, 10-32, TRUSS, PH, BLACK
24	046595-000		WASHER, FIBER, BLACK
25	004526-000		FASTENER,SCR,TPGS,TRH,PHLP,NO.10-1/2
26	046037-000	1	RETAINER, INSL, 30 INSIDE



Ref #	Part Number	Qty.	Description
1	044053-000	1	DOOR, OS, KIT, 30 ASM SS
1	049581-024	1	DOOR, OS, KIT, 30 ASM AR
1	049581-002	1	DOOR, OS, KIT, 30 ASM BK
1	049581-008	1	DOOR, OS, KIT, 30 ASM BU
1	049581-013	1	DOOR, OS, KIT, 30 ASM CB
1	049581-051	1	DOOR, OS, KIT, 30 ASM CN
1	049581-052	1	DOOR, OS, KIT, 30 ASM DJ
1	049581-005	1	DOOR, OS, KIT, 30 ASM GG
1	049581-022	1	DOOR, OS, KIT, 30 ASM SG
1	049581-012	1	DOOR, OS, KIT, 30 ASM VB
1	049581-006	1	DOOR, OS, KIT, 30 ASM WH
1	049581-054	1	DOOR, OS, KIT, 30 ASM WS
2	002728-000	1	DOOR HANDLE - SS, 1.25 OD
3	003011-000	1	DOOR HANDLE ENDCAP ASSY, LH (CHROME)
4	003012-000	1	DOOR HANDLE ENDCAP ASSY, RH (CHROME)
5	006086-000	2	DOOR, SKIN, INSULATION, SIDE, 36
6	046009-000	1	RETAINER, INSULATION, DOOR
7	006788-000	1	INSULATION,DOOR, TOP,SUPERWOOL,.25,VDSC530
8	002736-000	1	NO.10-32 PAN HEAD PHILLIPS MACHINE SCREW
9	004907-000	1	STEEL FINISHING PLUG, NICKEL PLTD 25/64 HOLE
10	046001-000	2	HINGE, NUOVA STAR, ORANGE
11	046032-000	1	RETAINER, INSL, 30 INSIDE
12	L20014077	1	30 WINDOW HOLDER NOT FIELD REPLACEABLE
13	PB070014	1	DOOR GLASS SEAL STRIP - WINDOW DRS.
14	025099-000	1	INNER DOOR GLASS, 30
15	046192-000	1	INSULATION, LINER, DOOR, 30
16	046674-000	1	INSULATION, DOOR LINER, BOTTOM, 30
17	044058-402	1	PNL, LINER, WA, 30BK
18	044056-000	1	DOOR, OS, 30 ASM SS
18	049582-024	1	DOOR, OS, 30 ASM AR
18	049582-002	1	DOOR, OS, 30 ASM BK
18	049582-008	1	DOOR, OS, 30 ASM BU
18	049582-013	1	DOOR, OS, 30 ASM CB
18	049582-051	1	DOOR, OS, 30 ASM CN
18	049582-052	1	DOOR, OS, 30 ASM DJ
18	049582-005	1	DOOR, OS, 30 ASM GG
18	049582-022	1	DOOR, OS, 30 ASM SG
18	049582-012	1	DOOR, OS, 30 ASM VB
18	049582-006	1	DOOR, OS, 30 ASM WH
18	049582-054	1	DOOR, OS, 30 ASM WS
19	044060-000	1	DOOR, ASM, 30 SS
19	049580-024	1	DOOR, ASM, 30 AR
19	049580-002	1	DOOR, ASM, 30 BK
19	049580-008	1	DOOR, ASM, 30 BU
19	049580-013	1	DOOR, ASM, 30 CB
19	049580-051	1	DOOR, ASM, 30 CN
19	049580-052	1	DOOR, ASM, 30 DJ
19	049580-005	1	DOOR, ASM, 30 GG
19	049580-022	1	DOOR, ASM, 30 SG
19	049580-012	1	DOOR, ASM, 30 VB
19	049580-006	1	DOOR, ASM, 30 WH
19	049580-054	1	DOOR, ASM, 30 WS
20	046651-000	1	SCREW, TRILOBE, 10-32, TRUSS, PH, BLACK
21	PD020032	1	SRW-8(A)X3/8PH.WFR HD 7/16DIAXNICL
22	PD020063	1	SCREW-NO.8(A) X 3/8PH WFR HD/BK OXID
23	046595-000	6	WASHER, FIBER, BLACK
24	004526-000	1	FASTENER,SCR,TPGS,TRH,PHLP,NO.10-1/2