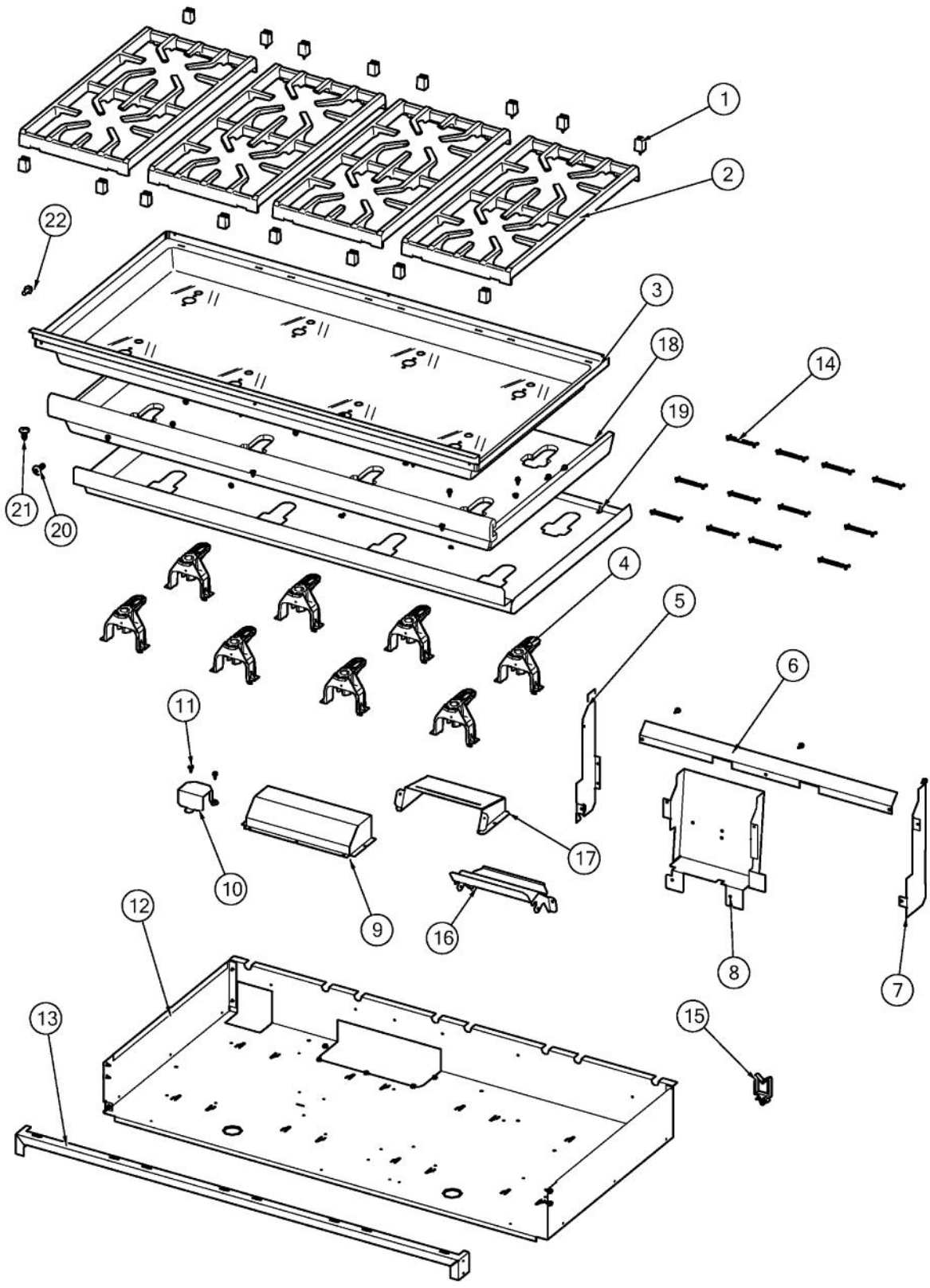
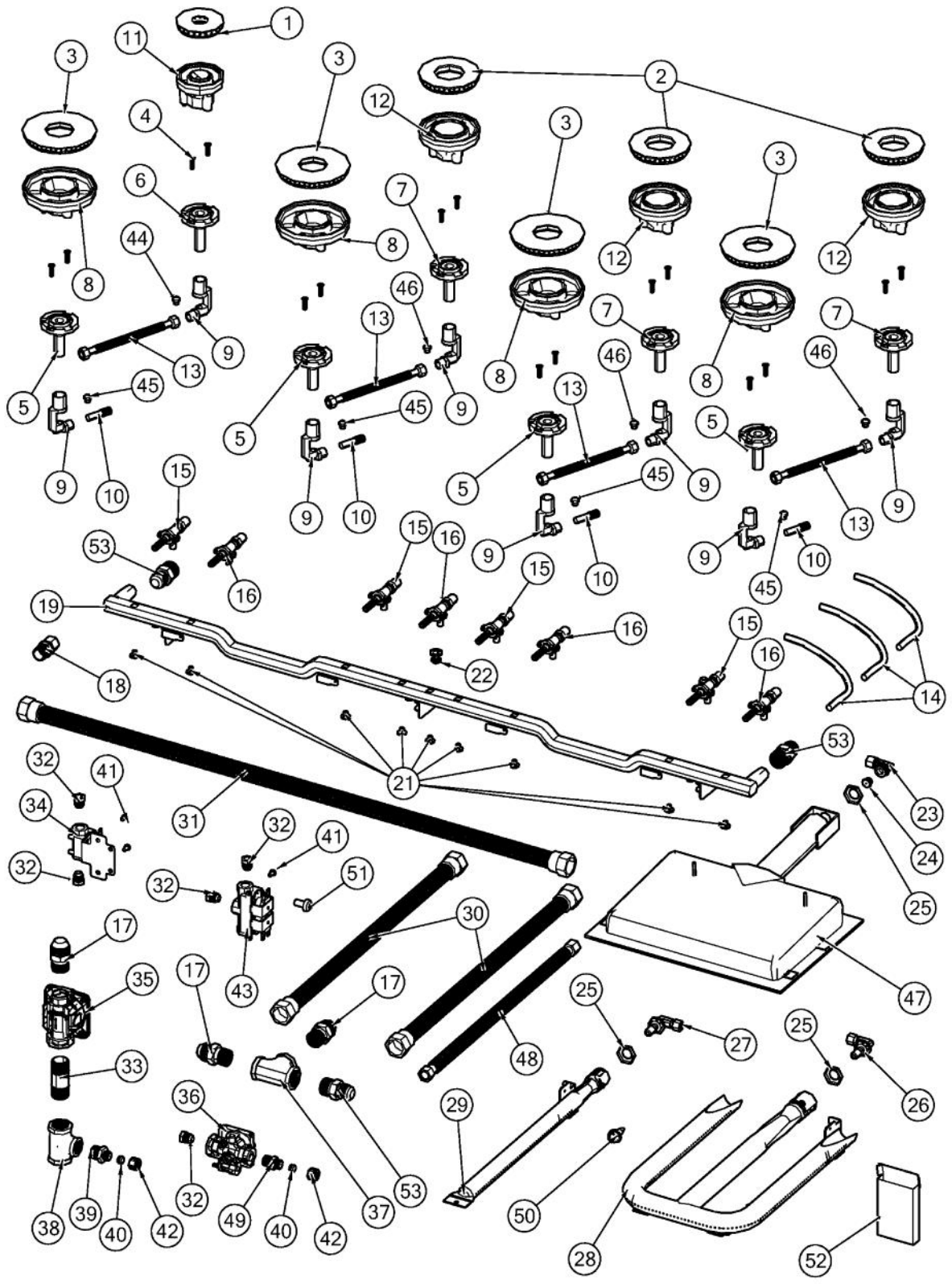


Ref #	Part Number	Qty.	Description
1	003860-000		NO.10-18 X .500 FASTNR,SCR,HXWH,STL,ZPLT
2	005536-000	2	TRIM
3	006192-000	3	VENT, ASM, OVEN ASSEMBLY
4	009005-000	2	GASKET CLIP RAW
5	012438-000	2	SWITCH, LIM, BRKT
6	014747-000	4	BRACKET, BNR, SIDE, BLUE PORCELAIN
7	020409-000	1	BRACKET, SPRT, FR, I/R BROILER
8	020412-000	1	BRACKET, SPRT, REAR, I/R BROILER
9	021225-402	1	COVER, CNVN, ASM, BK PORC
10	031445-402	2	BRACE, OVEN, BOTTOM, BACK
11	033668-000	1	BRACKET, DISCONNECT
12	037304-000		FASTENER, PNH, TORX, AB, PSVD, WAX
13	038705-000	1	TRAY, REGULATOR
14	040736-000	2	BRKT, ORF
15	042339-000	1	PANEL, INSL, RH
16	042346-000	1	DIVERTER, AIR, LH
17	042799-000	1	PANEL, INSL, 48 TOP
18	N/P	1	CABINET (NOT FIELD REPLACEABLE)
19	042866-402	1	TRIM, CTR, VGR7488B, BLK
20	042867-000	1	PANEL, INSL, LH, SHORT
21	042868-000	1	PANEL, INSL, RH, SHORT
22	042875-000	1	PANEL, INSL, BACK, 18
23	044793-000	1	GASKET, LINER, ASM, AG 30
24	049500-000	1	PANEL, INSL, BACK, 30
25	045060-000	2	RECEIVER, HINGE, SLOW-CLOSE, UNDAMPENED
26	N/P	1	CABINET (NOT FIELD REPLACEABLE)
27	045736-402	1	FRAME, FR, WELDMENT, 18 BK
28	045774-000	1	SHELF, SUPPLY, POWER, ASSY
29	045786-000	2	RECEIVER, HINGE, SLOW-CLOSE, DAMPENED
30	046065-000	1	BRACKET, SWITCH, OVEN LIGHT
31	046128-000	1	GASKET, LINER, ASM, AG, 18
32	046187-000	2	SHIELD, WATER, DIVERTER
33	046361-000	1	BRACE, BOT, LH, CAVITY 18
34	046409-000	1	BRCKT, RETAINER, REGULATOR
35	046489-000	1	DIVERTER, AIR, RH
36	046651-000		SCREW, TRILOBE, 10-32, TRUSS, PH, BLACK
37	047055-000	2	BRACKET, LEG, OFFSET
38	047065-000	2	BRACE, BTM, INSUL, RETAINER
39	048048-000	1	BRKT, SWITCH, LIM, HIGH
40	A2004429	2	OVEN BOTTOM INSUL. BRACE (VGSC306)
41	044513-000	1	OVEN, CVTY, BTM, 30
42	G9105587	1	OVEN BOTTOM
43	PC030007	6	LEG PLATE - 3/4 THREADED HOLE
44	PD040005	1	SNAP BUSHING - 7/8
45	043907-000	1	BASE, BOT, 48 GAS
46	042343-000	1	PANEL, INSL, LH
47	G9104438BK	1	OVEN, BOTTOM, ASM,PORCELAIN, BK
48	PB070079	4	SILICONE EXTRUSION (DGSU)
49	008200-000	1	FAN BRACKET?
50	044044-000	2	GROMMET, SWITCH, DOOR, RBR
51	A2004428	1	REAR BOTTOM BRCKT (VGSC306)
52	046186-000	2	BRACKET, SHIM, RECEIVER, HINGE
53	046185-000	2	BRACKET, SHIM, RECEIVER, HINGE
54	045548-000	20	CLIP, ROUTING, WIRE?
55	043800-000	4	BUMPER, RBR, BLK
56	046595-000	10	WASHER, FIBER, BLACK
57	PD020010	5	10 X 3/8 GREEN GROUNDING SCREW
58	045528-000	4	STANDOFF, LOCKING CLIP

Ref #	Part Number	Qty.	Description
58	045528-000	4	STANDOFF, LOCKING CLIP
59	045550-000	2	SADDLE, WIRE, EDGE
60	045551-000	1	CLIP, HARNESS, STANDOFF
61	004526-000		FASTENER,SCR,TPGS,TRH,PHLP,NO.10-1/2
62	046677-000	4	INSULATION, FBGL, RECEIVER, DAMPENING
63	A2002654	1	ANTI-TIP DEVICE (VDSC)
NI	PD010018	2	TOGGLE BOLT (3/16 X 2) (USED WITH ITEM NO. 63)
NI	PD020012	1	NO.10 X 1/2 TRIM HEX HD. TAP SCREW (USED WITH ITEM NO. 63)
64	PD020002	4	10 X 1/2 PH.TR.HD.SMS.
65	045666-402	1	FRAME, FR, WELDMENT, 30 BK

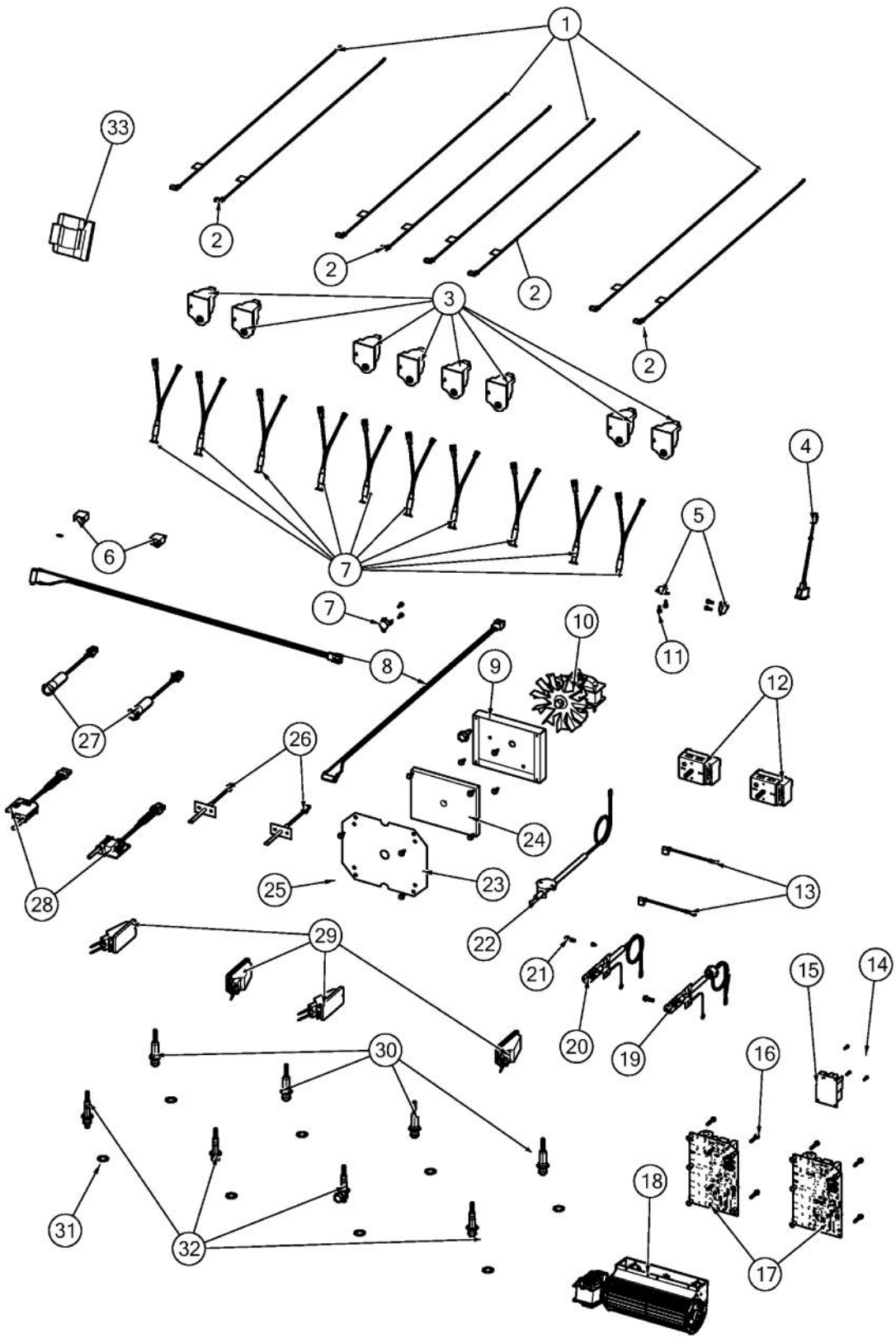


Ref #	Part Number	Qty.	Description
1	042412-000	16	GRATE, LEG, ASSY
2	042545-000	4	GRATE, CAST, 12
3	048236-402	1	PAN, BNR, SHIM, ASM, BK?
4	044486-000	8	SUPPORT, HLDR, JET
5	042741-000	1	DIVERTER, BRKT, RH
6	031313-000	1	DIVERTER, AIR 36
7	042742-000	1	DIVERTER, BRKT, LH
8	042785-000	1	COVER, BLO
9	042350-000	1	COVER, FAN
10	048188-000	1	BRACKET, TEE, PIPE
11	003860-000		NO.10-18 X .500 FASTNR,SCR,HXWH,STL,ZPLT
12	042801-000	1	BOX, BNR, 48
13	049728-000	1	BRACKET, MTG, 48 CONTROL PANEL
14	048961-000	12	STANDOFF, TWIST LOCK, TALL
15	045548-000	6	CLIP, ROUTING, WIRE?
16	049964-000	2	SHIELD, HEAT, HARNESS, TOP
17	049753-000	2	SHIELD, HEAT, HARNESS, BTM
18	049743-000	1	INSULATION, LINER, BURNER PAN, 48?
19	049695-000	1	TRAY, PNL, INSULATION, BURNER PAN, 48?
20	PD020068		NO.10 - 32 X 1/2TRUSS. PHIL. M.XSSX
21	014143-000		SCR 10-12 A SHLD TRP 1/2 S ZN BLUE
22	PD020010		10 X 3/8 GREEN GROUNDING SCREW



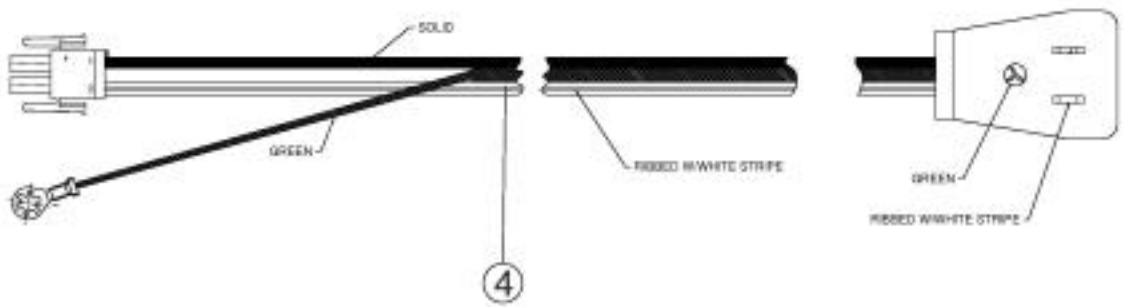
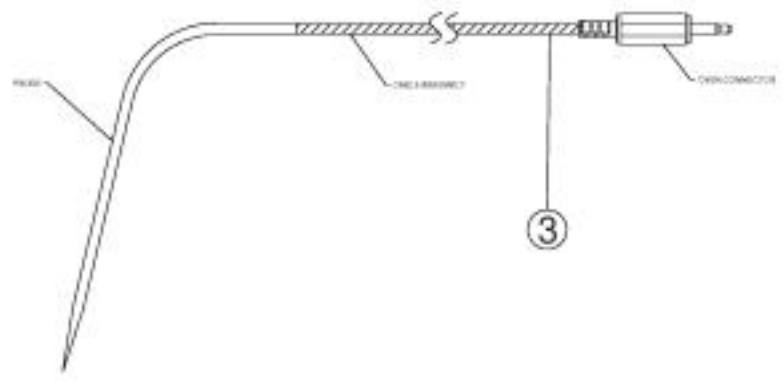
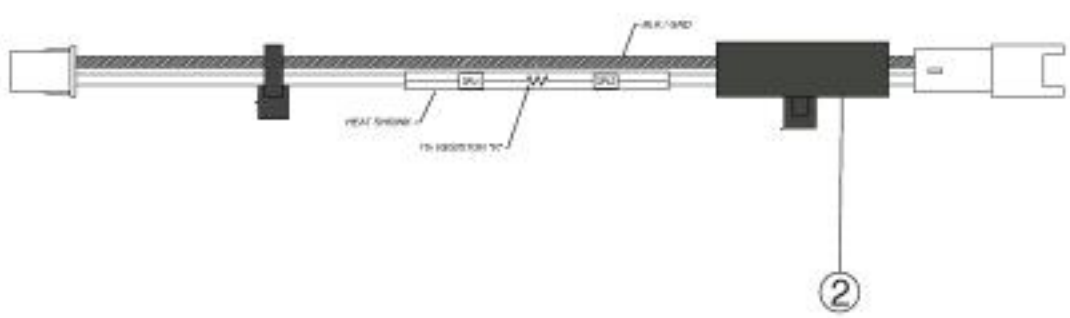
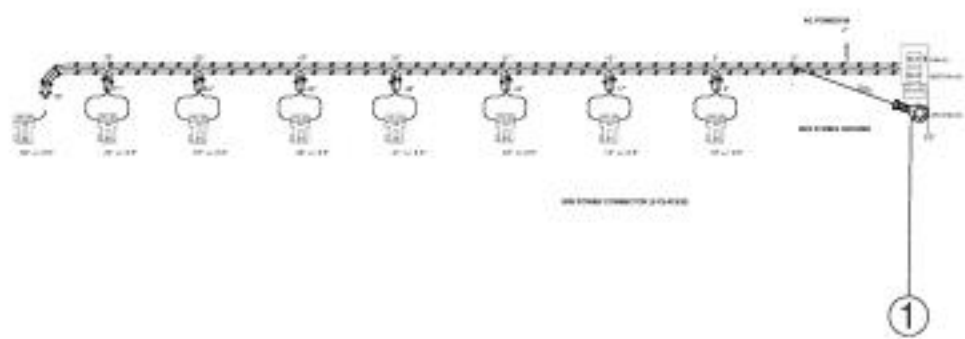
Ref #	Part Number	Qty.	Description
1	043791-000	1	BURNER, HEAD, BRS, C-SIZE
2	043251-000	3	D-BURNER HEAD
3	043159-000	4	E-BURNER HEAD
4	046964-000	16	SCREW, 10-32 X 3/4, CTSK, BLACK
5	044485-000	4	VENTURI, E NAT, FLANGE, BNR - NAT
6	044686-000	1	VENTURI, C NAT, C LP, FLANGE, BNR
NI	051790-000	1	TC-0101-SP 7 SERIES LR SURFACE BURNER KIT (FOR UNITS MANUFACTURED BEFORE 8/5/14)
7	044487-000	3	VENTURI, D NAT, D LP, FLANGE, BNR
8	043158-000	4	E-BURNER BASE
9	043208-000	8	HOLDER, JET, BURNER
10	PB020191	4	15 FLEX TUBE
11	043790-000	1	BURNER, BASE, C-SIZE
12	043249-000	3	BASE, BNR, D
13	PB020198	4	20 FLEX TUBING
14	PB020116	3	TUBING - 10 FLEXIBLE 12 & 24
15	043134-000	4	VALVE, BNR, 9/16-24 UNEF ASSY - NAT
15	047915-000	4	VALVE, BNR, 9/16-24 UNEF ASSY - LP
16	046197-000	4	VALVE, BNR, 9/16-24 UNEF ASSY - NAT
16	047916-000	4	VALVE, BNR, 9/16-24 UNEF ASSY - LP
17	044321-000	3	FITTING, ADAPTOR, 3/4 FLEX TUBING
18	000845-000	2	1/2 COMP TO 1/2 MALE NPT ADAPTER
19	043260-000	1	MANIFOLD, GAS, 48 ASM
21	PD010012	9	VALVE BOLT 1/4-20 UNC-2B 5/16 M.S.
22	002884-000	1	MANIFOLD PLUG
23	PB040178	1	90 DEGREE ORIFICE FITTING (VGSC306)
23	PB040027	1	IR BUR.SPUD ORF. - NO.56 LP
24	PB040026	1	IR BURNER ORIFICE - NO.48 NAT.
24	PB040027	1	IR BUR.SPUD ORF. - NO.56 LP
25	PD030018	3	PALNUT - 3/4-16
26	048029-000	1	90 DEG ORIFICE FITTING NO.50 DRILL
27	048031-000	1	90 DEG ORIFICE FITTING, NO.39 DRILL
28	044096-000	1	BURNER, BAKE, ASM, 30
29	044039-000	1	BURNER, BAKE, ASM, 18 STRAIGHT
30	046399-000	2	TUBING, 3/4 FLEX, SST, 20
31	044313-000	1	TUBING, 3/4 FLEX, SST, 38
32	PB040050	6	3/8CC MALE COMP. FITTING W/FERRULE
33	044637-000	1	NIPPLE, PIPE, 2-1/2, 3/4 NPTM TO 3/4 NPTM
34	009111-000	1	VALVE, SOL, SINGLE
35	046119-000	1	PRESSURE REGULATOR - NAT
35	046120-000	1	REGULATOR, PRSS, 3/4 INLET, 3/4 OUTLET - LP
36	031818-000	1	REGULATOR, DUAL OUTLET
36	041183-000	1	DUAL OUTLET REGULATOR LP
37	044323-000	1	TEE, PIPE, 3/4
38	044638-000	1	TEE, PIPE, 3/4 NPTF TO 1/2 NPTM
39	044691-000	1	ADAPTOR, COMPRESSION, 1/2 NPTF TO 3/8 TUBE O.D.
40	PB040192	2	3/8` CC FERREL (DGCU)
41	PD020004	4	10X3/8PH.HD.TYPE 25 REPL PD040125
42	PB040213	2	3/8 COMPRESSION NUT (DGCU)
43	009112-000	1	VALVE, SOL, DOUBLE
44	044688-000	1	ORIFICE, BNR, STD, 1.22MM - NAT
44	043680-000	1	ORIFICE, BNR, STD, 1.07MM - LP
45	043675-000	4	ORIFICE, BNR, STD, 2.18MM - NAT
45	044820-000	4	ORIFICE, BNR, STD, .813MM - LP
46	043677-000	3	ORIFICE, BNR, STD, 1.78MM - NAT
46	043679-000	1	ORIFICE, BNR, STD, 1.32MM - LP
47	G3001876	1	IR BURNER ASSY (VGSC/RC) N/S
48	039214-000	1	TUBING, FLEX, SST, 18
49	046826-000	1	ADAPTOR, COMPRESSION, 3/8 NPTM X 3/8 TUBE O.D.
50	003860-000	1	NO.10-18 X .500 FASTNR,SCR,HXWH,STL,ZPLT

Ref #	Part Number	Qty.	Description
50	003860-000		NO. 10-18 X .500 FASTNR,SCR,HXWH,STL,ZPLT
51	PD020004		10X3/8PH.HD.TYPE 25 REPL PD040125
52	048106-000	1	KIT, GAS CONNECTION, 3/4
53	044824-000	3	FITTING, ADAPTOR, 1/2 FLEX TUBING
NI	PB020126	2	3/8`` S.S. FLEX TUBING 15`` (DGPU)



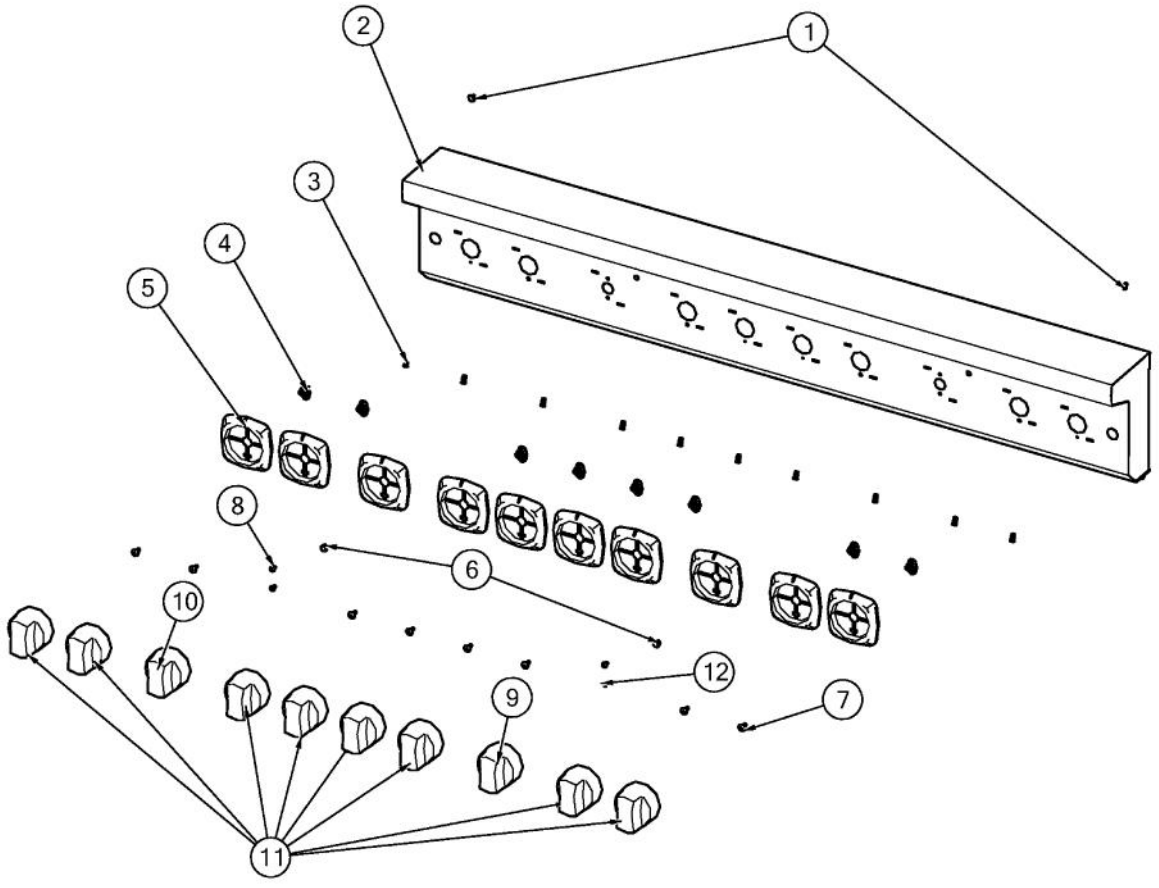
Ref #	Part Number	Qty.	Description
1	028312-000	4	WIRE, ELECTRODE,IRIS,REAR?
2	028324-000	4	WIRE, ELECTRODE,IRIS,FRONT?
3	PA020058	8	IRIS SINGLE SPARK MODULE
4	046283-000	1	SWITCH, LIGHTS, ACCENT W/CONN?
5	PJ030022	2	HIGH LIMIT SWITCH
6	043135-000	2	HOUSING, LIGHT, LED, BLUE 3.3V
7	044929-000	10	LAMP, LED, 12VDC, WHITE, PLUG, RECEP, ASM
8	008880-000	2	MEAT PROBE RECEPTACLE ASM
9	021197-000	1	BOX, INSULATION, FAN
10	023089-000	1	MOTOR, CONVECTION, 120V/60HZ
11	PD020067		NO.6 X 3/8 PAN PHIL. TEK SS
12	038413-000	2	TSTAT,SMPS, ELEC, 2-POS, .91 SHAFT, CB
13	043994-000	2	WIRE, GROUND, 5
14	045594-000		SCREW, SHCS, NO.4-40 X 3/8, SS
15	044693-000	1	SUPPLY, POWER, AC/DC 12VDC, 15W
16	M0211021		SCREW-SM
17	043453-000	2	MODULE, DSI
18	019959-000	1	FAN, COOLING, DUAL, 120V X 180MM
19	043611-000	1	ASSEMBLY, ELECTRODE W/LEAD, BAKE
20	043657-000	1	ELECTRODE W/LEAD, BAKE, ASSY?
21	M0238731		SCREW-SM
22	043615-000	1	ASSEMBLY, ELECTRODE
23	021199-000	1	COVER, BOX, INSULATION
24	PB070208	1	CONVECTION FAN INSULATION
25	003860-000		NO.10-18 X .500 FASTNR,SCR,HXWH,STL,ZPLT
26	PE050206	2	RTD THERMOSTAT PROBE
27	044195-000	2	SWITCH, PB-LT, 5WIRE, ASSY
28	045032-000	2	SWITCH, DOOR, W-CONNECTOR, ASM
29	005311-000	4	120V/25W HALOGEN LIGHT
30	043067-000	4	ELECTRODE , ASM, D?
31	045932-000	8	WASHER, ELECTRODE?
32	043065-000	4	ELECTRODE, ASM E?
33	049878-000	7	CORD, CLIP, ADHESIVE
NI	048830-000	1	KITCHEN THERMOMETER

Ref #	Part Number	Qty.	Description
1	046021-000	1	CORD, ADPT, M-M, 2.5TS, 2.5TS, SST
2	044181-000	1	HARNESS, VGR7488B, CONTROL PANEL, RH
3	044182-000	1	HARNESS, VGR7488B, CONTROL PANEL, LH

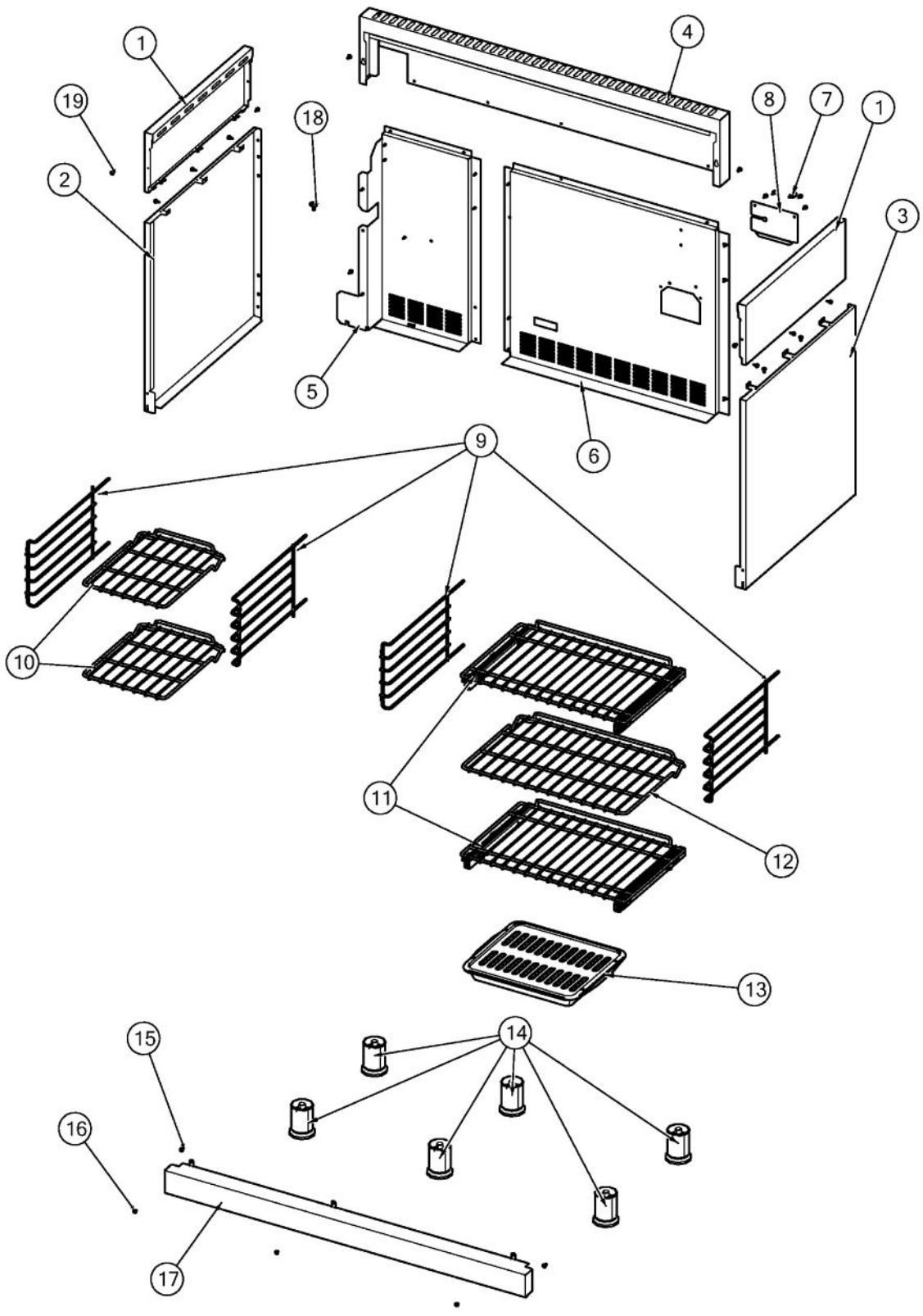


Ref #	Part Number	Qty.	Description
1	044194-000	1	HARNESS, IRIS, 8B, GANG CONNECTOR
2	048817-000	1	HARNESS, LED, RES, JUMPER
3	046020-000	1	PROBE, MEAT, OVEN, IGRILL, SST, 3.5MM
4	044747-000	1	CORD, SUPPLY, CORD

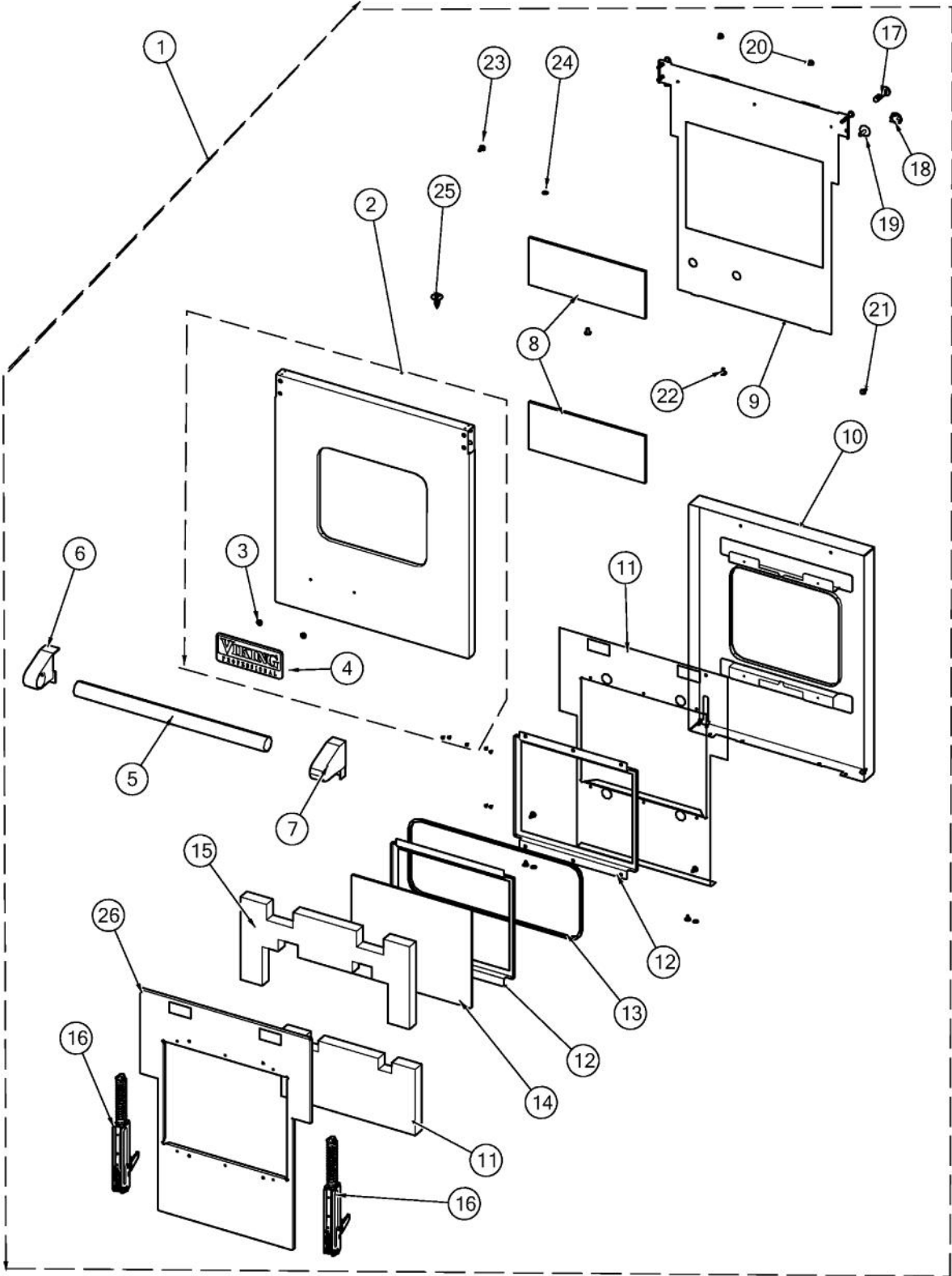
Ref #	Part Number	Qty.	Description
1	044180-000	1	HARNESS, VGR7488B, MAIN



Ref #	Part Number	Qty.	Description
1	PD020032	2	SRW-8(A)X3/8PH.WFR HD 7/16DIAXNICL
2	043732-2611	1	PANEL, CTRL, VGR7448B ASM, W/GRAPHICS
3	044937-000	10	LENS, COVER, LED, CLEAR
4	044512-000	8	BEARING, BEZEL, ASM
5	048309-000	10	BZL, KNOB
6	027968-000	2	INDICATOR, LIGHT, BLUE
7	PD020046	8	NO.8 X 1/2 SCREWS
8	PD020269	4	NO.8 PAN HEAD SCREW
9	042557-000	1	KNOB, ASSY, T`STAT, OVEN, A/G
10	042563-000	1	KNOB, ASSY, T`STAT, OVEN, LH, A/G?
11	042558-000	8	KNOB, ASSY, BURNER



Ref #	Part Number	Qty.	Description
1	042884-000	2	COVER, OS, RH/LH UPPER?
2	042372-000	1	COVER, OS, LH SS
2	049552-024	1	COVER, OS, LH AR
2	049552-002	1	COVER, OS, LH BK
2	049552-005	1	COVER, OS, LH GG
2	049552-008	1	COVER, OS, LH BU
2	049552-013	1	COVER, OS, LH CB
2	049552-006	1	COVER, OS, LH WH
3	042375-000	1	COVER, OS, RH SS
3	049551-024	1	COVER, OS, RH AR
3	049551-002	1	COVER, OS, RH BK
3	049551-008	1	COVER, OS, RH BU
3	049551-013	1	COVER, OS, RH CB
3	049551-005	1	COVER, OS, RH GG
3	049551-006	1	COVER, OS, RH WH
4	042797-000	1	TRIM, IS, VGR, 48?
5	044140-000	1	COVER, BACK, 18
6	042806-000	1	COVER, BACK, 30
7	PE070069	1	STRAIGHT-THRU BUSHING
8	043746-000	1	PNL, ACCESS, W/HEYCO
9	030191-000	4	GUIDE, RACK
10	040963-000	2	RACK, PRO, 18
11	040345-000	2	RACK, GLDE, 30, PRO ASSY
12	040863-000	1	RACK, PRO, 30
13	042253-000	1	PAN, BROILER, PORCELAIN ASM
14	044178-000	6	RANGE, LEG, ADJUSTABLE
15	003801-000		SHOULDER SCREW, NO.10
16	PD020032		SRW-8(A)X3/8PH.WFR HD 7/16DIAXNICL
17	038605-000	1	KICKPLATE, RNG SS
17	038606-024	1	KICKPLATE, RNG AR
17	038606-002	1	KICKPLATE, RNG BK
17	038606-008	1	KICKPLATE, RNG BU
17	038606-013	1	KICKPLATE, RNG CB
17	038606-005	1	KICKPLATE, RNG GG
17	038606-006	1	KICKPLATE, RNG WH
18	PD020073		SRW NO.10 X 24 X 3/8 WAFER HD TYPE23
19	014143-000		SCR 10-12 A SHLD TRP 1/2 S ZN BLUE



Ref #	Part Number	Qty.	Description
1	044061-000	1	DOOR, ASM, 18
1	049583-024	1	DOOR, ASM, 18 AR
1	049583-002	1	DOOR, ASM, 18 BK
1	049583-008	1	DOOR, ASM, 18 BU
1	049583-013	1	DOOR, ASM, 18 CB
1	049583-005	1	DOOR, ASM, 18 GG
1	049583-006	1	DOOR, ASM, 18 WH
2	046194-000	1	DOOR, OS, KIT, 18 ASM SS
2	049584-024	1	DOOR, OS, KIT, 18 ASM AR
2	049584-002	1	DOOR, OS, KIT, 18 ASM BK
2	049584-008	1	DOOR, OS, KIT, 18 ASM BU
2	049584-013	1	DOOR, OS, KIT, 18 ASM CB
2	049584-005	1	DOOR, OS, KIT, 18 ASM GG
2	049584-006	1	DOOR, OS, KIT, 18 ASM WH
3	PD030006	2	CAPPED WASHER PAL NUT
4	PE010030	1	LOGO, 6, PRO, BK
5	006221-000	1	18 DOOR HANDLE, SST
6	003011-000	1	DOOR HANDLE ENDCAP ASSY, LH (CHROME)
7	003012-000	1	DOOR HANDLE ENDCAP ASSY, RH (CHROME)
8	006220-000	2	INSULATION, DOOR, SKIN, TOP, VDSC18
9	N/A	1	HEAT SHIELD - MUST ORDER ITEM NO. 11 (NOT FIELD REPLACEABLE)
10	044070-402	1	PNL, LINER, WA, 18 BK
11	N/P	1	CABINET (NOT FIELD REPLACEABLE)
12	006217-000	1	18 WINDOW HOLDER
13	PB070014	1	DOOR GLASS SEAL STRIP - WINDOW DRS.
14	046136-000	1	GLASS, DOOR, INNER
15	046372-000	1	INSULATION, LINER, DOOR, 18
16	046002-000	2	HINGE, NUOVA STAR, YELLOW
17	002736-000		NO.10-32 PAN HEAD PHILLIPS MACHINE SCREW
18	004907-000		STEEL FINISHING PLUG, NICKEL PLTD 25/64 HOLE
19	PD020073		SRW NO.10 X 24 X 3/8 WAFER HD TYPE23
20	PD020063		SCREW-NO.8(A) X 3/8PH WFR HD/BK OXID
21	003860-000		NO.10-18 X .500 FASTNR,SCR,HXWH,STL,ZPLT
22	PD020033		SRW-NO.10-24X1/2T(23)PH.WFR HD (NKL)
23	046651-000		SCREW, TRILOBE, 10-32, TRUSS, PH, BLACK
24	046595-000		WASHER, FIBER, BLACK
25	004526-000		FASTENER,SCR,TPGS,TRH,PHLP,NO.10-1/2
26	046037-000	1	RETAINER, INSL, 30 INSIDE

Ref #	Part Number	Qty.	Description
1	044053-000	1	DOOR, OS, KIT, 30 ASM SS
1	049581-024	1	DOOR, OS, KIT, 30 ASM AR
1	049581-002	1	DOOR, OS, KIT, 30 ASM BK
1	049581-008	1	DOOR, OS, KIT, 30 ASM BU
1	049581-013	1	DOOR, OS, KIT, 30 ASM CB
1	049581-005	1	DOOR, OS, KIT, 30 ASM GG
1	049581-006	1	DOOR, OS, KIT, 30 ASM WH
2	002728-000	1	DOOR HANDLE - SS, 1.25 OD
3	003011-000	1	DOOR HANDLE ENDCAP ASSY, LH (CHROME)
4	003012-000	1	DOOR HANDLE ENDCAP ASSY, RH (CHROME)
5	006086-000	2	DOOR, SKIN, INSULATION, SIDE, 36
6	046009-000	1	RETAINER, INSULATION, DOOR
7	006788-000	1	INSULATION, DOOR, TOP, SUPERWOOL, .25, VDSC530
8	002736-000	1	NO.10-32 PAN HEAD PHILLIPS MACHINE SCREW
9	004907-000	1	STEEL FINISHING PLUG, NICKEL PLTD 25/64 HOLE
10	046001-000	2	HINGE, NUOVA STAR, ORANGE
11	046032-000	1	RETAINER, INSL, 30 INSIDE
12	L20014077	1	30 WINDOW HOLDER NOT FIELD REPLACEABLE
13	PB070014	1	DOOR GLASS SEAL STRIP - WINDOW DRS.
14	025099-000	1	INNER DOOR GLASS, 30
15	046192-000	1	INSULATION, LINER, DOOR, 30
16	046674-000	1	INSULATION, DOOR LINER, BOTTOM, 30
17	044058-402	1	PNL, LINER, WA, 30BK
18	044056-000	1	DOOR, OS, 30 ASM SS
18	049582-024	1	DOOR, OS, 30 ASM AR
18	049582-002	1	DOOR, OS, 30 ASM BK
18	049582-008	1	DOOR, OS, 30 ASM BU
18	049582-013	1	DOOR, OS, 30 ASM CB
18	049582-005	1	DOOR, OS, 30 ASM GG
18	049582-006	1	DOOR, OS, 30 ASM WH
19	044060-000	1	DOOR, ASM, 30 SS
19	049580-024	1	DOOR, ASM, 30 AR
19	049580-002	1	DOOR, ASM, 30 BK
19	049580-008	1	DOOR, ASM, 30 BU
19	049580-013	1	DOOR, ASM, 30 CB
19	049580-005	1	DOOR, ASM, 30 GG
19	049580-006	1	DOOR, ASM, 30 WH
20	046651-000		SCREW, TRILOBE, 10-32, TRUSS, PH, BLACK
21	PD020032		SRW-8(A)X3/8PH.WFR HD 7/16DIAXNICL
22	PD020063		SCREW-NO.8(A) X 3/8PH WFR HD/BK OXID
23	046595-000	6	WASHER, FIBER, BLACK
24	004526-000		FASTENER, SCR, TPGS, TRH, PHLP, NO.10-1/2