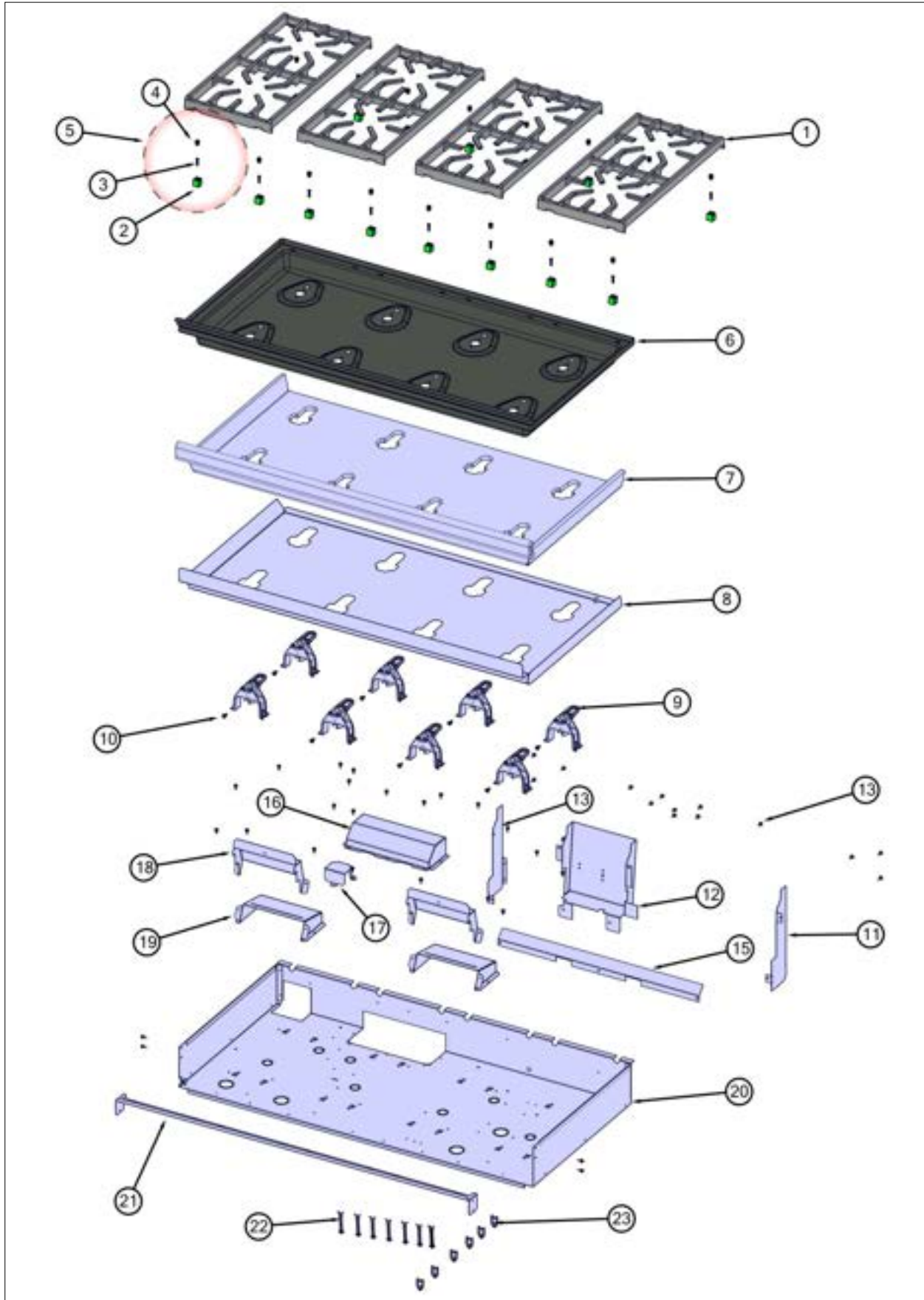


VGR74828BSS

Surface Cooking View	1
Harness View	2
Gas Asm View	3
Electrical View	4
Control View	5
Wiring View	6
Decor View	7
RH Cavity View	8
Bottom Base View	9
LH Cavity View	10
LH Door View	11
RH Door View	12
Top Base View	13
Appendix A:Pages Index	A
Appendix B:Parts Index	B

Surface Cooking View



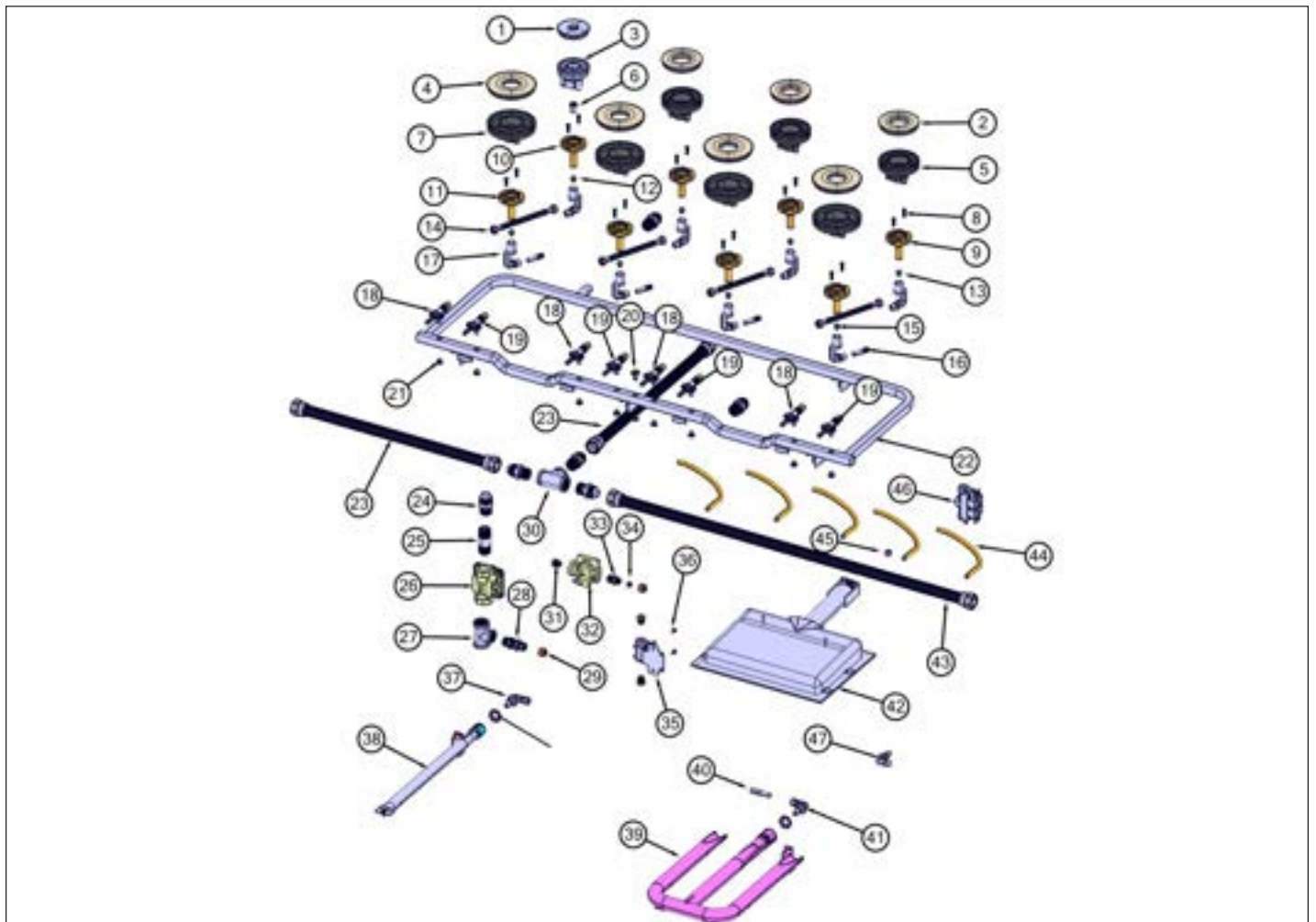


Item	Part No.	Name	Qty	Uom	NOTES
1	042545-000	GRATE, CAST, 12"	4	EA	
2	052259-000	SUPPORT, GRATE	16	EA	
3	049534-000	SCREW, 8-32 X 3/4, PHIL, FLAT	16	EA	
4	052260-000	SILENCER, GRATE	16	EA	
5	058147-000	GRATE, LEG, ASSY, PHASE 2 (BLK)	16	EA	
Comments for Part Num. 058147-000					
gboltz@VikingRange.com on Jun 6, 2016					
See parts bulletin 2016-03P Grate support changes					
6	048236-402	PAN, BNR, SHIM, ASM, BK	1	EA	
7	049743-000	INSULATION, LINER, BURNER PAN, 48"	1	EA	
8	049695-000	TRAY, PNL, INSULATION, BURNER PAN, 48"	1	EA	
9	066170-000	SUPPORT, HLDR, JET	8	EA	
10	PD020068	' #10 - 32 X 1/2"TRUSS. PHIL. M.*SS*	8	EA	
11	042742-000	DIVERTER, BRKT, LH	1	EA	
12	042785-000	COVER, BLO	1	EA	
13	003860-000	10-18 x .500 FASTNR,SCR,HXWH,STL,ZPLT	27	EA	
14	042741-000	DIVERTER, BRKT, RH	1	EA	
15	031313-000	DIVERTER, AIR 36	1	EA	
16	042350-000	COVER, FAN	1	EA	
17	048188-000	BRACKET, TEE, PIPE	1	EA	
18	049964-000	SHIELD, HEAT, HARNESS, TOP	2	EA	
19	049753-000	SHIELD, HEAT, HARNESS, BTM	2	EA	
20	065686-000	BOX, BNR, 48", VGR74826G	1	EA	
21	049728-000	BRACKET, MTG, 48" CONTROL PANEL	1	EA	
22	048961-000	STANDOFF, TWIST LOCK, TALL	12	EA	
23	045548-000	CLIP, ROUTING, WIRE	6	EA	



Item	Part No.	Name	Qty	Uom	NOTES
1	044180-000	HARNESS, VGR7488B, MAIN	1	EA	

Gas Asm View



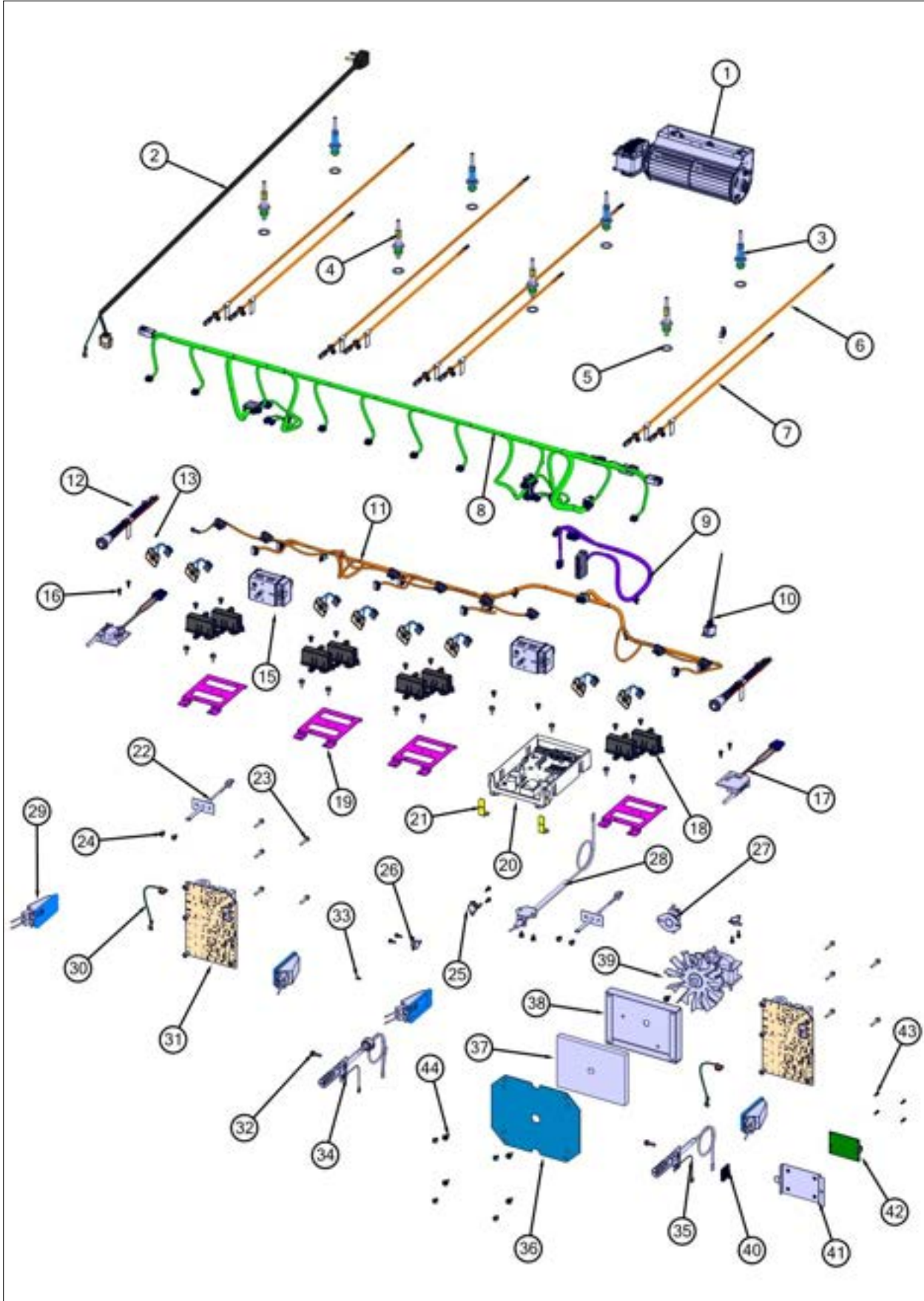


Item	Part No.	Name	Qty	Uom	NOTES
1	043791-000	BURNER, HEAD, BRS, C-SIZE	1	EA	
2	066169-000	BURNER, HEAD, D	3	EA	
3	043790-000	BURNER, BASE, C-SIZE	1	EA	
4	066172-000	BURNER, HEAD, E	4	EA	
5	066105-000	BASE, BNR, D	3	EA	
6	051541-000	C VENTURI INSERT	1	EA	
7	066173-000	BASE, BNR, E-SIZE	4	EA	
8	046964-000	SCREW, 10-32 X 3/4", CTSK, BLACK	16	EA	
9	066171-000	VENTURI, D NAT, D LP, FLANGE, BNR	3	EA	
10	044686-000	VENTURI, C NAT, C LP, FLANGE, BNR	1	EA	
11	044688-000	ORIFICE, BNR, STD, 1.22MM	1	EA	
12	067030-000	VENTURI, E NAT, FLANGE, BNR	4	EA	
13	046184-000	ORIFICE, BNR, STD, 1.70MM	3	EA	
14	PB020198	20" FLEX TUBING	4	EA	
15	043675-000	ORIFICE, BNR, STD, 2.18MM	4	EA	
16	PB020191	15" FLEX TUBE	4	EA	
17	063295-000	HOLDER, JET, BURNER	8	EA	
18	061224-000	VALVE, GAS, E-BNR, NAT	4	EA	
19	061225-000	VALVE, GAS, C & D-BNR, NAT	4	EA	
20	002884-000	MANIFOLD PLUG	1	EA	
21	PD010012	VALVE BOLT 1/4-20 UNC-2B 5/16" M.S.	9	EA	
22	056462-000	MANIFOLD, GAS, 48", ASM	1	EA	
23	046399-000	TUBING, 3/4 FLEX, SST, 20	2	EA	
24	044321-000	FITTING, ADAPTOR, 3/4" FLEX TUBING	6	EA	
25	044637-000	NIPPLE, PIPE, 2-1/2", 3/4" NPTM TO 3/4" NPTM	1	EA	
26	046119-000	PRESSURE REGULATOR (NAT)	1	EA	
27	044638-000	TEE, PIPE, 3/4" NPTF TO 1/2" NPTM	1	EA	
28	044691-000	ADAPTOR, COMPRESSION, 1/2" NPTF TO 3/8" TUBE O.D.	1	EA	



Item	Part No.	Name	Qty	Uom	NOTES
29	PB040213	3/8" COMPRESSION NUT (DGCU)	2	EA	
30	044323-000	TEE, PIPE, 3/4	1	EA	
31	PB040050	3/8CC MALE COMP. FITTING W/FERRULE	6	EA	
32	031818-000	REGULATOR, DUAL OUTLET	1	EA	
33	046826-000	ADAPTOR, COMPRESSION, 3/8" NPTM X 3/8" TUBE O.D.	1	EA	
34	PB040192	3/8" CC FERREL (DGCU)	2	EA	
35	009111-000	VALVE, SOL, SINGLE	1	EA	
36	PD020004	10X3/8PH.HD.TYPE 25 REPL PD040125	4	EA	
37	048029-000	90 DEG ORIFICE FITTING #50 DRILL	1	EA	
Not Shown	048028-000	90 DEG ORIFICE FITTING #51 DRILL	1	EA	
38	044039-000	BURNER, BAKE, ASM, 18" STRAIGHT	1	EA	
39	044096-000	BURNER, BAKE, ASM, 30"	1	EA	
40	PB020126	3/8" S.S. FLEX TUBING 15" (DGCU)	2	EA	
41	048031-000	90 DEG ORIFICE FITTING, #39 DRILL	1	EA	
Not Shown	068932-000	ORIFICE, LP, 90 DEG ELBOW, #56	1	EA	
42	g3001876	IR BURNER ASSY (VGSC/RC) N/S	1	EA	
43	044313-000	TUBING, 3/4" FLEX, SST, 38"	1	EA	
44	PB020116	TUBING - 10" FLEXIBLE 12 & 24"	5	EA	
45	PB040026	IR BURNER ORIFICE - #48 NAT.	1	EA	
Not Shown	PB040027	IR BUR.SPUD ORF. - #56 LP	1	EA	
46	009112-000	VALVE, SOL, DOUBLE	1	EA	
47	PB040178	90 DEGREE ORIFICE FITTING (VGSC306)	1	EA	
48	PD030018	PALNUT - 3/4-16	3	EA	

Electrical View



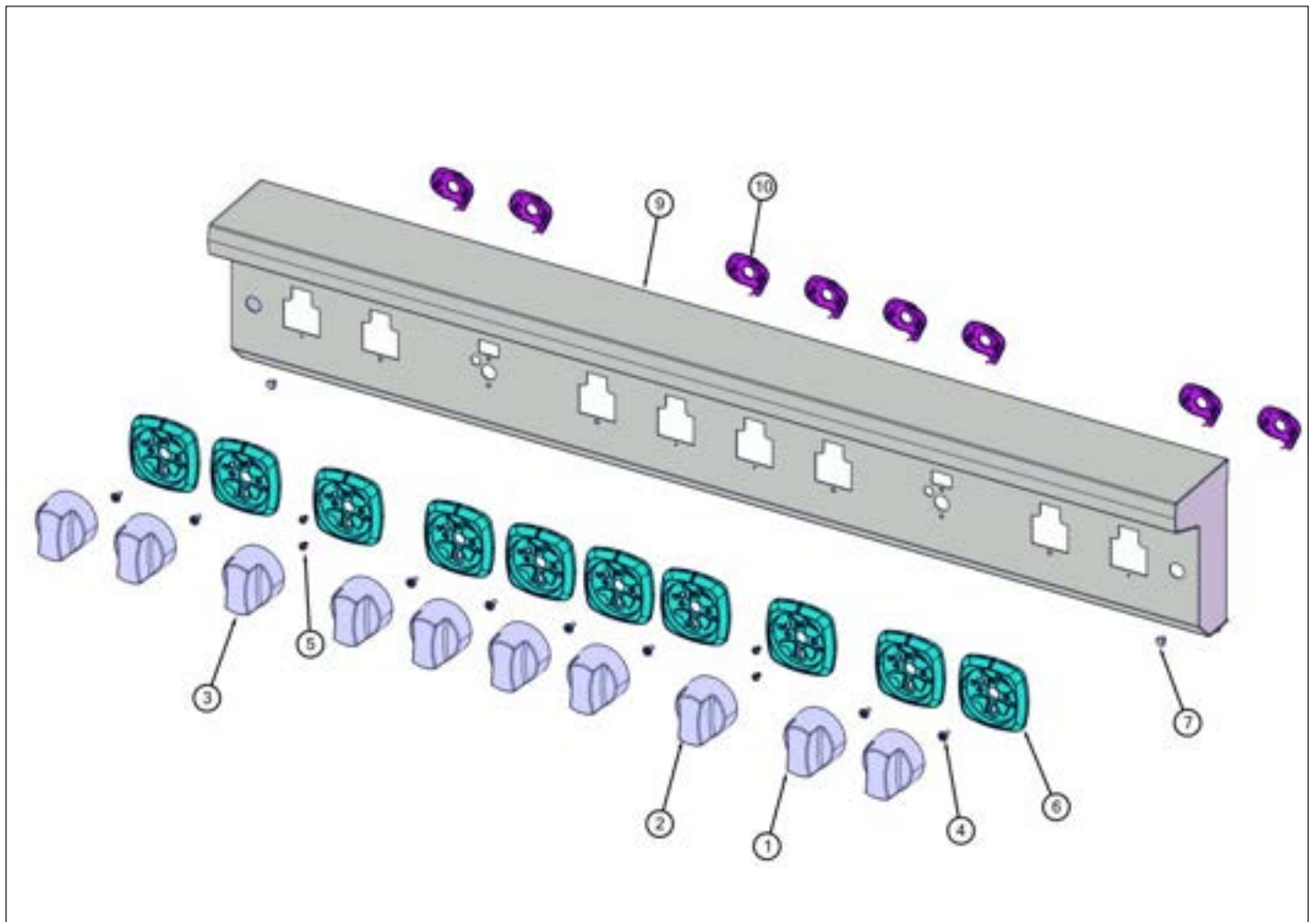


Item	Part No.	Name	Qty	Uom	NOTES
1	019959-000	FAN,COOLING,DUAL,120VX180 (51343)	1	EA	
2	044747-000	CORD, SUPPLY, CORD	1	EA	
3	066808-000	ELECTRODE , ASM, D	4	EA	
4	066809-000	ELECTRODE, ASM E	4	EA	
5	045932-000	WASHER, ELECTRODE	8	EA	
6	058659-604	HARN, VGR5, ELEC, BURN, REAR	4	EA	
7	058659-603	HARN, VGR5, ELEC, BURN, FRNT	4	EA	
8	061076-000	HARN, VGR7488B, CP	1	EA	
9	063263-000	GARN, 7 SERIES, ULC	1	EA	
10	046283-000	SWITCH, LIGHTS, ACCENT W/CONN	1	EA	
11	061251-000	HARN, 488B, EGRID	1	EA	
12	044195-000	SWITCH, PB-LT, 5WIRE, ASSY	2	EA	
13	061211-000	SWITCH, VALVE, SPST, 2 PIN CON	8	EA	
15	065702-579	TSTAT, SMPS, ELEC, 2-POS	2	EA	
16	PD020067	#6 X 3/8" PAN PHIL. TEK *SS*	10	EA	
17	045032-000	SWITCH, DOOR, W- CONNECTOR, ASM	2	EA	
18	062214-000	EGRID, REMOTE MOUNT, 120VAC	8	EA	
19	064543-000	BKT, MNTG, IRIS, VDR7/VGR7	4	EA	
20	062885-501	CNTRL, MODULE, ULC	1	EA	
21	064541-000	BKT, MNTG, FR, ULC, VDR7/VGR7	2	EA	
22	PE050206	RTD THERMOSTAT PROBE	2	EA	
23	M0211021	SCREW-SM	10	EA	
24	037304-000	FASTENER, PNH, TORX, AB, PSVD, WAX	24	EA	
25	048014-000	SWITCH, LIM, HIGH, 90 DEG C	1	EA	
26	PJ030022	BI-METAL THERMOSTAT, 115 DEGREES (FAN SWITCH)	2	EA	
27	030813-000	SWITCH, TSTAT, SPDT	1	EA	
28	043615-000	ASSEMBLY, ELECTRODE	1	EA	



Item	Part No.	Name	Qty	Uom	NOTES
29	068653-601	LIGHT, 120V/25W, G9, HALOGEN, SIDE	4	EA	
30	043994-000	WIRE, GROUND, 5"	2	EA	
31	043453-000	MODULE, DSI	2	EA	
32	023005-000	SCREW,HEX,WASHER HEAD, #10-32X1/2"	2	EA	
33	PD020006	' #6-32 X 1/4" PH.PAN HD. T(F)	4	EA	
34	043611-000	ASSEMBLY, ELECTRODE W/LEAD, BAKE	1	EA	
35	043657-000	ELECTRODE W/LEAD, BAKE, ASSY	1	EA	
36	021199-000	COVER, BOX, INSULATION	1	EA	
37	PB070208	CONVECTION FAN INSULATION	1	EA	
38	031735-000	BOX, INSUL., FAN	1	EA	
39	066367-000	MOTOR, CONV, 120V	1	EA	
40	049878-000	CORD, CLIP, ADHESIVE	10	EA	
41	045774-000	SHELF, SUPPLY, POWER, ASSY	1	EA	
42	063636-000	PCB, POWER, TERMINATION (NON-SERVICEABLE)	1	EA	
43	045594-000	SCREW, SHCS, NO.4-40 X 3/8, SS	4	EA	
44	003860-000	10-18 x .500 FASTNR,SCR,HXWH,STL,ZPLT	4	EA	

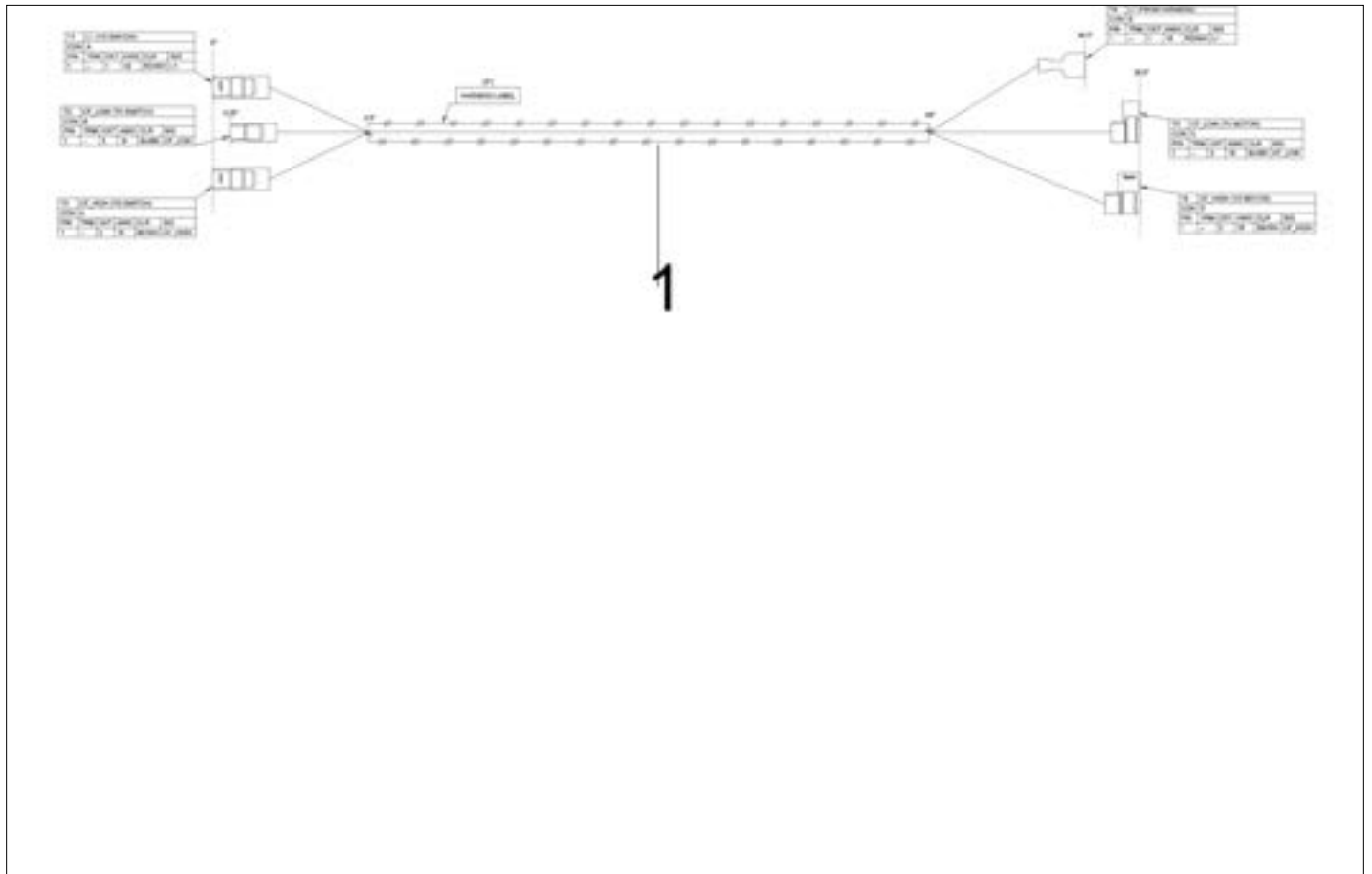
Control View





Item	Part No.	Name	Qty	Uom	NOTES
1	061041-000	KNOB, BURNER, ASSY (SEE 042558-000)	8	EA	
2	067118-2544	KNOB, THERMOSTAT, OVEN, A/G, W-GRAPHICS	1	EA	
3	067117-2549	KNOB, THERMOSTAT, LH OVEN, A/G, W/GRAPHICS (BLACK CHROME)	1	EA	
4	PD020046	' #8 X 1/2 SCREWS	8	EA	
5	PD020269	#8 PAN HEAD SCREW	4	EA	
6	061090-501	BEZEL, ASSY, LED, SQUARE, LARGE	10	EA	
<p>Comments for Part Num. 061090-501</p> <p>profifixappliances@gmail.com on Feb 27, 2020</p> <p>SEE SERVICE BULLETIN TC-0126-SP REGARDING NEW BEZELS</p>					
7	PD020032	SRW-8(A)X3/8"PH.WFR HD 7/16DIA*NICL	2	EA	
9	064414-2844	ASM, PANEL, CTRL, VGR74828B, W/GRAPHICS	1	EA	
10	063640-000	ADAPTER, BEZEL, LED	8	EA	

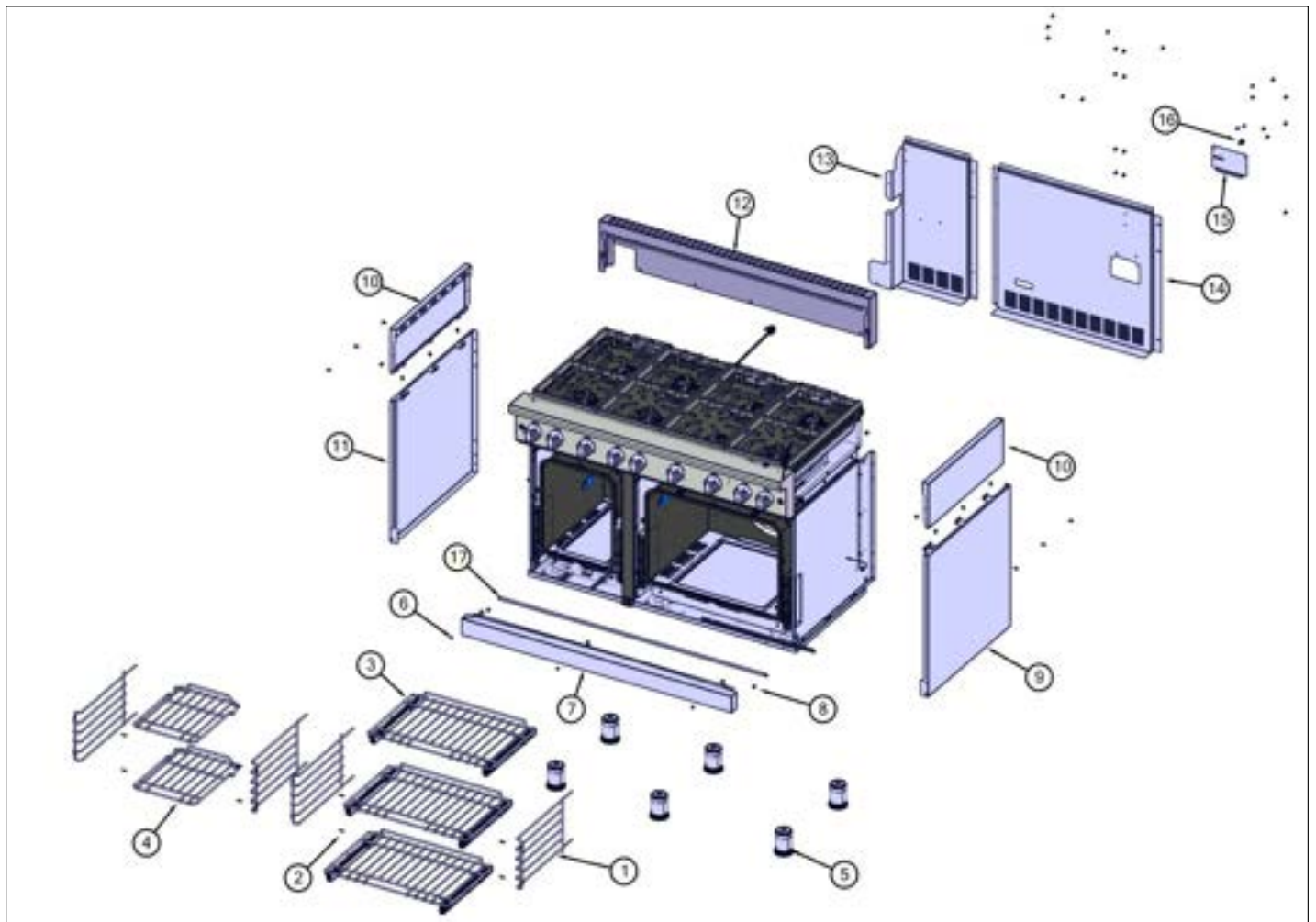
Wiring View





Item	Part No.	Name	Qty	Uom	NOTES
1	059157-000	HARN, VGR7, COOLING FAN, SERVICE	1	EA	

Decor View





Item	Part No.	Name	Qty	Uom	NOTES
1	066225-402	GUIDE, RACK, RH- BK	4	EA	
2	pd020232	#8 X 3/4" PH PAN HEAD TEK SCREW (BLACK OXIDE)	8	EA	
3	065730-000	RACK, GLIDE, 30", W/HDL, ASSY	3	EA	
4	065783-000	RACK, PRO, W/HDL, 18", VGR	2	EA	
5	044178-000	RANGE, LEG, ADJUSTABLE	6	EA	
6	PD020032	SRW-8(A)X3/8"PH.WFR HD 7/16DIA*NICL	3	EA	
7	038605-000	KICKPLATE, RNG	1	EA	
7	038606-002	KICKPLATE, RNG, DCBZ BK	1	EA	
7	038606-005	KICKPLATE, RNG, DCBZ GG	1	EA	
7	038606-006	KICKPLATE, RNG, DCBZ WH	1	EA	
7	038606-008	KICKPLATE, RNG, DCBZ BU	1	EA	
7	038606-013	KICKPLATE, RNG, DCBZ CB	1	EA	
7	038606-024	KICKPLATE, RNG, DCBZ AR	1	EA	
7	038606-2801	KICKPLATE, RNG, DCBZ Kalamata Red (KA)	1	EA	
7	038606-2847	KICKPLATE, RNG, DCBZ Blackforest Green (BG)	1	EA	
7	038606-6180	KICKPLATE, RNG, DCBZ Cypress Green (CY)	1	EA	
7	038606-6258	KICKPLATE, RNG, DCBZ Cast Black (CS)	1	EA	
7	038606-6421	KICKPLATE, RNG, DCBZ Vanilla Cream (VC)	1	EA	
7	038606-6765	KICKPLATE, RNG, DCBZ Bywater Blue (BW)	1	EA	
7	038606-6797	KICKPLATE, RNG, DCBZ Alluvial Blue (AB)	1	EA	
7	038606-6871	KICKPLATE, RNG, DCBZ San Marzano Red (SM)	1	EA	
7	038606-7024	KICKPLATE, RNG, DCBZ Pacific Grey (PG)	1	EA	
7	038606-7070	KICKPLATE, RNG, DCBZ Frost White (FW)	1	EA	
7	038606-7585	KICKPLATE, RNG, DCBZ Reduction Red (RE)	1	EA	
7	038606-7652	KICKPLATE, RNG, DCBZ Artic Grey (AG)	1	EA	



Item	Part No.	Name	Qty	Uom	NOTES
7	038606-7674	KICKPLATE, RNG, DCBZ Damascus Grey (DG)	1	EA	
7	038606-9178	KICKPLATE, RNG, DCBZ Slate Blue (SB)	1	EA	
8	003801-000	SHOULDER SCREW, #10	12	EA	
9	042375-000	COVER, OS, RH	1	EA	
9	049551-002	COVER, OS, RH, DECARB BK	1	EA	
9	049551-005	COVER, OS, RH, DECARB GG	1	EA	
9	049551-006	COVER, OS, RH, DECARB WH	1	EA	
9	049551-008	COVER, OS, RH, DECARB BU	1	EA	
9	049551-013	COVER, OS, RH, DECARB CB	1	EA	
9	049551-024	COVER, OS, RH, DECARB AR	1	EA	
9	049551-2801	OS Right Hand Cover - Kalamata Red (KA)	1	EA	
9	049551-2847	OS Right Hand Cover - Blackforest Green (BF)	1	EA	
9	049551-6180	OS Right Hand Cover - Cypress Green (CY)	1	EA	
9	049551-6258	OS Right Hand Cover - Cast Black (CS)	1	EA	
9	049551-6421	OS Right Hand Cover - Vanilla Cream (VC)	1	EA	
9	049551-6765	OS Right Hand Cover - Bywater Blue (BW)	1	EA	
9	049551-6797	OS Right Hand Cover - Alluvial Blue (AB)	1	EA	
9	049551-6871	OS Right Hand Cover - San Marzano Red (SM)	1	EA	
9	049551-7024	OS Right Hand Cover - Pacific Grey (PG)	1	EA	
9	049551-7070	OS Right Hand Cover - Frost White (FW)	1	EA	
9	049551-7585	OS Right Hand Cover - Reduction Red (RE)	1	EA	
9	049551-7652	OS Right Hand Cover -Artic Grey (AG)	1	EA	
9	049551-7674	OS Right Hand Cover - Damascus Grey (DG)	1	EA	
9	049551-9178	OS Right Hand Cover - Slate Blue (SB)	1	EA	
10	052892-000	COVER, OS, RH/LH UPPER	2	EA	

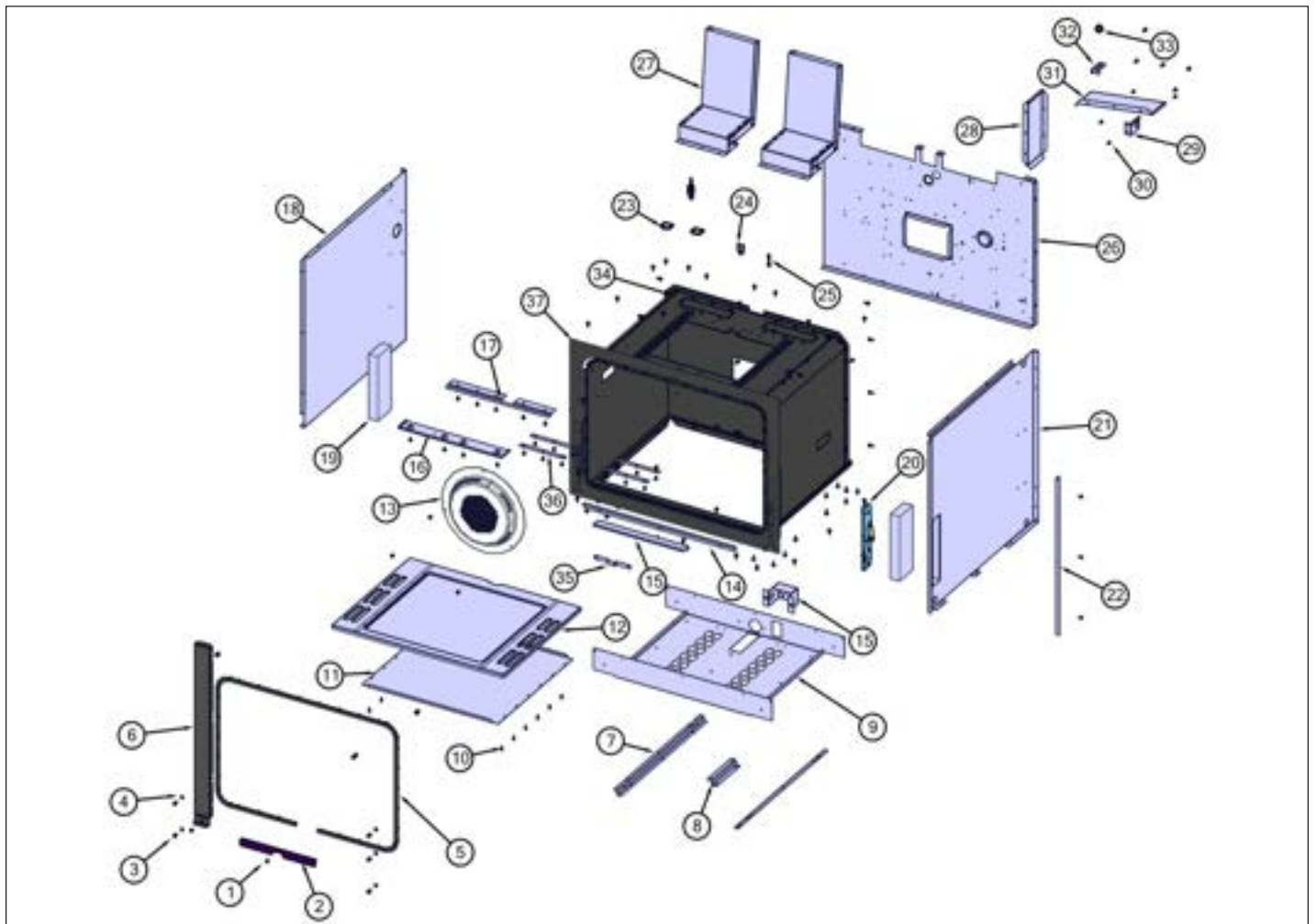


Item	Part No.	Name	Qty	Uom	NOTES
11	042372-000	COVER, OS, LH	1	EA	
11	049552-002	COVER, OS, LH, DECARB BK	1	EA	
11	049552-005	COVER, OS, LH, DECARB GG	1	EA	
11	049552-006	COVER, OS, LH, DECARB WH	1	EA	
11	049552-008	COVER, OS, LH, DECARB BU	1	EA	
11	049552-013	COVER, OS, LH, DECARB CB	1	EA	
11	049552-024	COVER, OS, LH, DECARB AR	1	EA	
11	049552-2801	OS Left Hand Cover - Kalamata Red (KA)	1	EA	
11	049552-2847	OS Left Hand Cover - Blackforest Green (BF)	1	EA	
11	049552-6180	OS Left Hand Cover - Cypress Green (CY)	1	EA	
11	049552-6258	OS Left Hand Cover - Cast Black (CS)	1	EA	
11	049552-6421	OS Left Hand Cover - Vanilla Cream (VC)	1	EA	
11	049552-6765	OS Left Hand Cover - Bywater Blue (BW)	1	EA	
11	049552-6797	OS Left Hand Cover - Alluvial Blue (AB)	1	EA	
11	049552-6871	OS Left Hand Cover - San Marzano Red (SM)	1	EA	
11	049552-7024	OS Left Hand Cover - Pacific Grey (PG)	1	EA	
11	049552-7070	OS Left Hand Cover - Frost White (FW)	1	EA	
11	049552-7585	OS Left Hand Cover - Reduction Red (RE)	1	EA	
11	049552-7652	OS Left Hand Cover -Artic Grey (AG)	1	EA	
11	049552-7674	OS Left Hand Cover - Damascus Grey (DG)	1	EA	
11	049552-9178	OS Left Hand Cover - Slate Blue (SB)	1	EA	
12	042797-000	TRIM, IS, VGR, 48"	1	EA	
13	044140-000	COVER, BACK, 18"	1	EA	
14	042806-000	COVER, BACK, 30"	1	EA	
15	043746-000	PNL, ACCESS, W/HEYCO	1	EA	
16	pe070069	STRAIGHT-THRU BUSHING	1	EA	



Item	Part No.	Name	Qty	Uom	NOTES
17	059103-000	BRACE, PANEL, SIDE, 48"	1	EA	

RH Cavity View



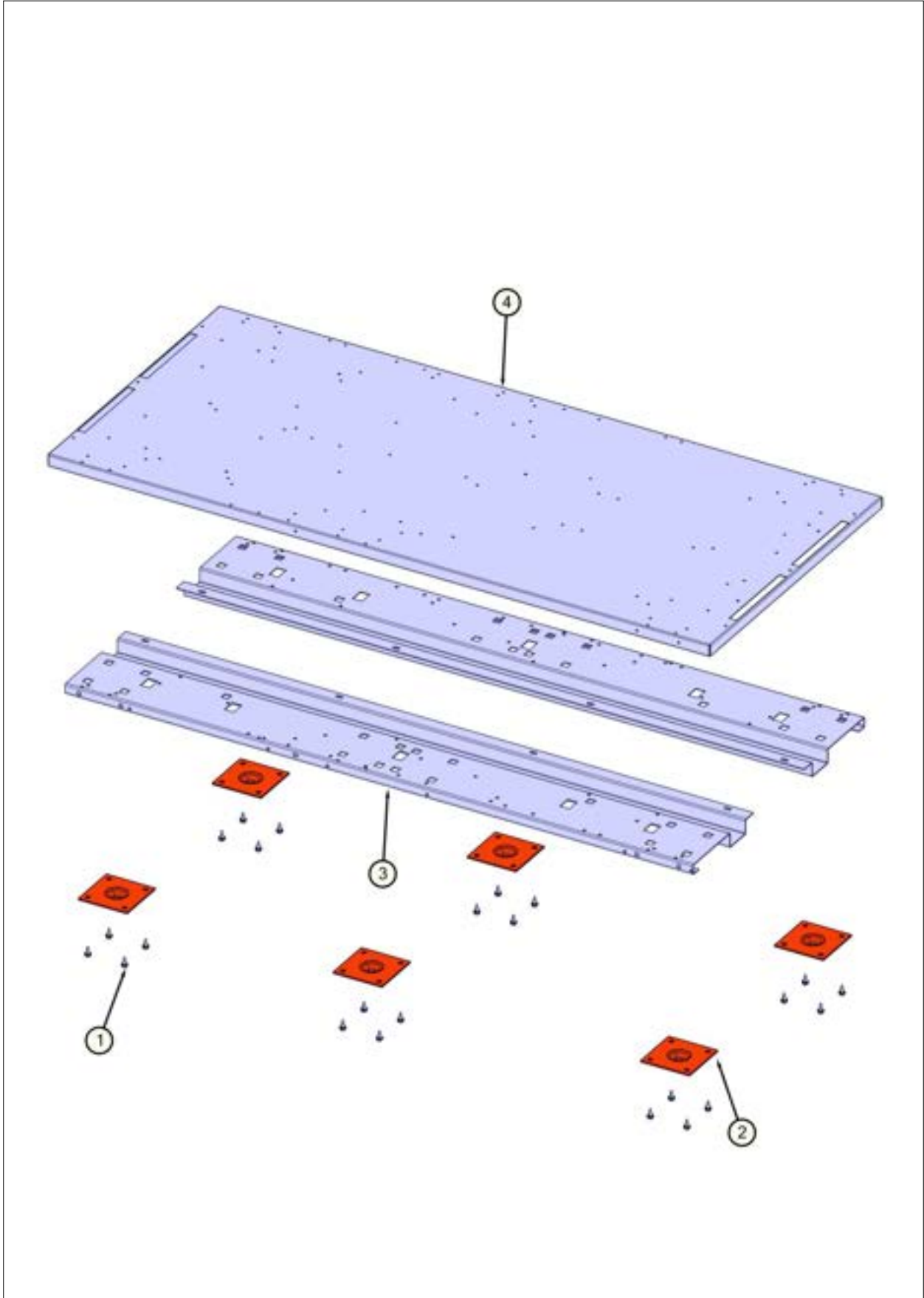


Item	Part No.	Name	Qty	Uom	NOTES
1	037304-000	FASTENER, PNH, TORX, AB, PSVD, WAX	4	EA	
2	009005-000	GASKET CLIP RAW	2	EA	
3	046651-000	SCREW, TRILOBE, 10-32, TRUSS, PH, BLACK	2	EA	
4	052632-000	WASHER, FLAT, PTFE, NO.10	10	EA	
5	044793-000	GASKET, LINER, ASM, AG 30"	1	EA	
6	042866-000	TRIM, CTR, VGR7488B	1	EA	
7	A2004429	OVEN BOTTOM INSUL. BRACE (VGSC306)	2	EA	
8	050794-000	BRACKET, HOLD-DOWN, BOX, FIRE	1	EA	
9	044513-000	OVEN, CVTY, BTM, 30"	1	EA	
10	PD020067	#6 X 3/8" PAN PHIL. TEK *SS*	10	EA	
11	A2004439	OVEN BOTTOM SHIELD (VGSC306)	1	EA	
12	066203-000	ASM, BOTTOM, CAVITY, OVEN, GAS, 30"	1	EA	
13	013580-402	CONV COVER W/BK PORC	1	EA	
14	050267-000	BRACKET, SUPPORT, BOTTOM, OVEN, 30"/36"	1	EA	
15	040736-000	BRKT, ORF	2	EA	
16	020409-000	BRACKET, SPRT, FR, I/R BROILER	1	EA	
17	020412-000	BRACKET, SPRT, REAR, I/R BROILER	1	EA	
18	042867-000	PANEL, INSL, LH, SHORT	1	EA	
19	046677-000	INSULATION, FBGL, RECEIVER, DAMPENING	4	EA	
20	054057-000	RECEIVER, HINGE, SLOW-CLOSE, DAMPENED	1	EA	
21	042339-000	PANEL, INSL, RH	1	EA	
22	005536-000	TRIM	2	EA	
23	045550-000	SADDLE, WIRE, EDGE	2	EA	
24	045548-000	CLIP, ROUTING, WIRE	20	EA	
25	045528-000	STANDOFF, LOCKING CLIP	4	EA	
26	049500-000	PANEL, INSL, BACK, 30"	1	EA	
27	062991-000	VENT FLUE, ASM	1	EA	



Item	Part No.	Name	Qty	Uom	NOTES
28	046187-000	SHIELD, WATER, DIVERTER	1	EA	
29	033668-000	BRACKET, DISCONNECT	1	EA	
30	PD020010	10 X 3/8 GREEN GROUNDING SCREW	6	EA	
31	049629-000	SHIELD, DIVERTER, WATER	1	EA	
32	012438-000	SWITCH, LIM, BRKT	2	EA	
33	PD040005	SNAP BUSHING - 7/8"	1	EA	
34	042837-000	30" OVEN CAVITY ASM	1	EA	
35	A2004428	REAR BOTTOM BRCKT (VGSC306)	1	EA	
36	045034-000	BRACKET, WASHER	4	EA	
37	045666-402	FRAME, FR, WELDMENT, 30" BK	1	EA	
NI	014747-000	BRACKET, BNR, SIDE, PORCELAIN	4	EA	
NI	056013-000	INSULATION, FIBERGLASS, ROLL, 3" THK, 20" WIDE X 45' LONG	1	EA	
38	031445-402	BRACE, OVEN, BOTTOM, BACK W/BK PORC	1	EA	
39	045551-000	CLIP, HARNESS, STANDOFF	1	EA	
NI	004285-000	INSULATION, FOIL-BACKED, 4"x5"	1	EA	

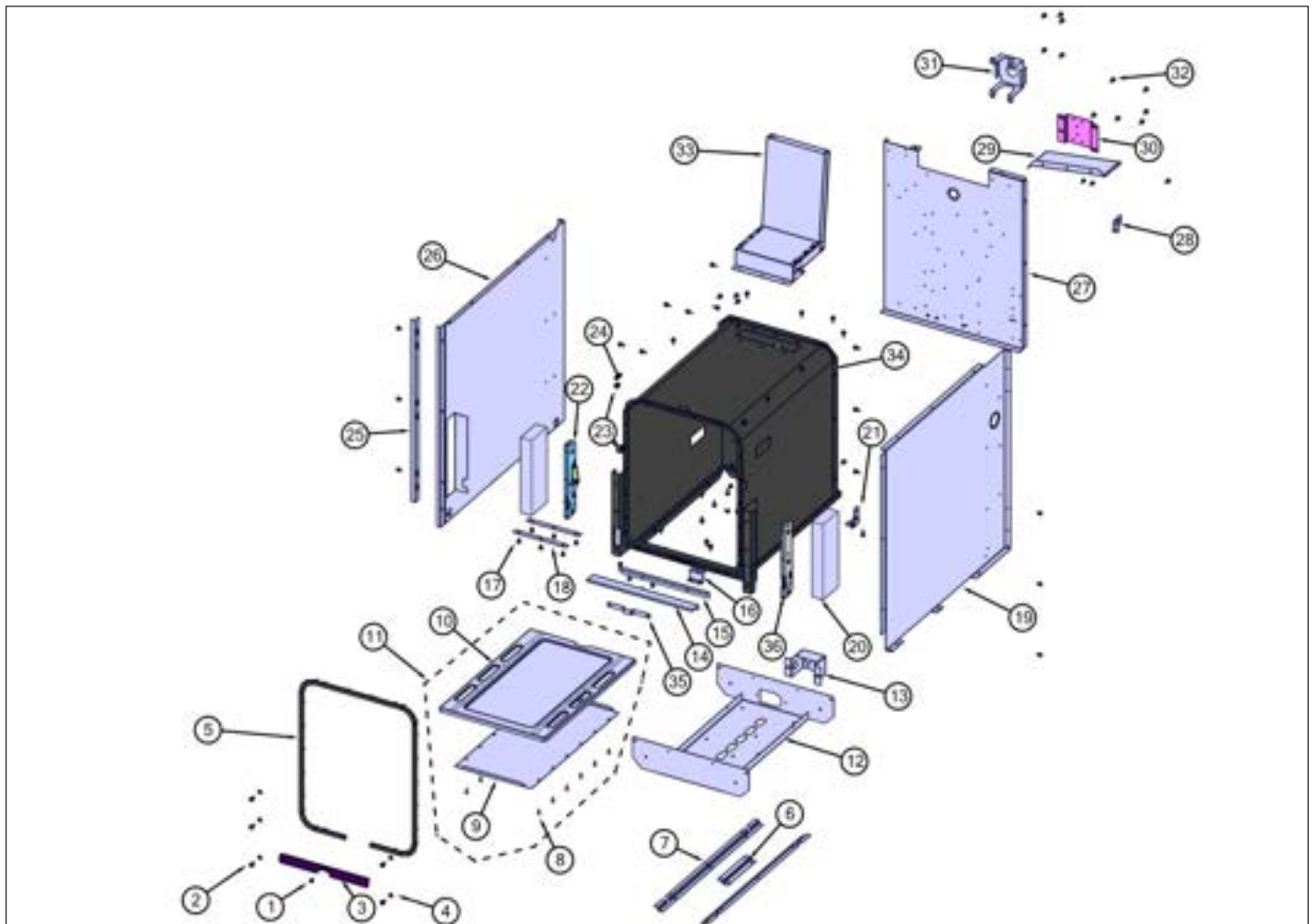
Bottom Base View





Item	Part No.	Name	Qty	Uom	NOTES
1	003860-000	10-18 x .500 FASTNR,SCR,HXWH,STL,ZPLT		EA	
2	PC030007	LEG PLATE - 3/4" THREADED HOLE		EA	
3	047055-000	BRACKET, LEG, OFFSET (NON- SERVICEABLE PART)		EA	
4	043907-000	BASE, BOT, 48" GAS (NON- SERVICEABLE PART)		EA	

LH Cavity View

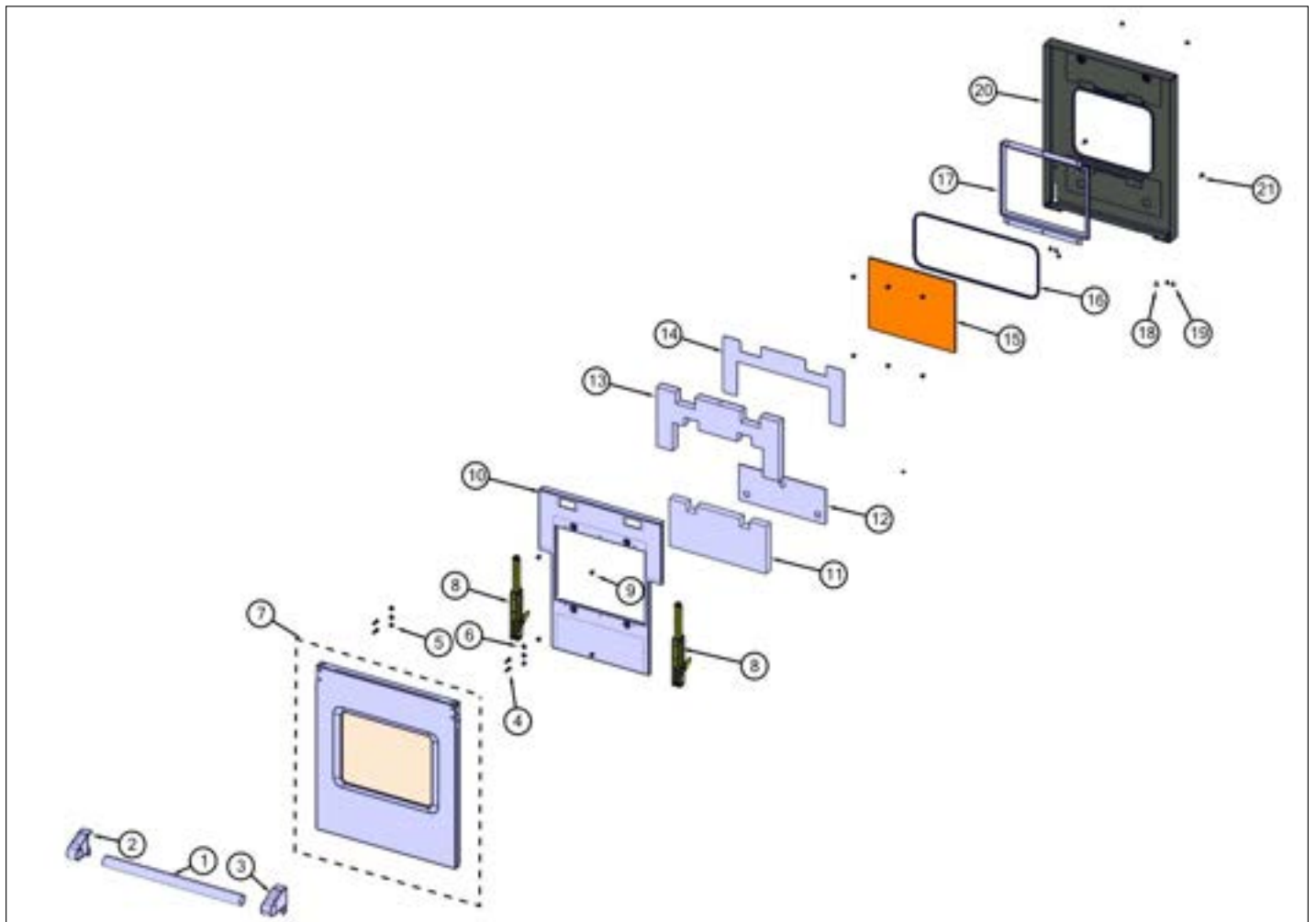


Item	Part No.	Name	Qty	Uom	NOTES
1	037304-000	FASTENER, PNH, TORX, AB, PSVD, WAX		EA	
2	046651-000	SCREW, TRILOBE, 10-32, TRUSS, PH, BLACK		EA	
3	009005-000	GASKET CLIP RAW		EA	
4	052632-000	WASHER, FLAT, PTFE, NO.10		EA	
5	046128-000	GASKET, LINER, ASM, AG, 18"		EA	
6	055025-000	BRACKET, HOLD-DOWN, BOX, FIRE, 18"		EA	
7	047065-000	BRACE, BTM, INSUL, RETAINER		EA	
8	PD020067	#6 X 3/8" PAN PHIL. TEK *SS*		EA	
9	A2005586	OVEN BOTTOM PAN ASSY 48LH		EA	
10	G9105587BK	OVEN BOTTOM, ASM BK		EA	
11	066212-000	ASM, BOTTOM, CAVITY, OVEN, GAS, 18"		EA	
12	046361-000	BRACE, BOT, LH, CAVITY 18"		EA	
13	040736-000	BRKT, ORF		EA	
14	031445-402	BRACE, OVEN, BOTTOM, BACK W/BK PORC		EA	
15	050266-000	BRACKET, SUPPORT, BOTTOM, OVEN, 18"		EA	
16	B2004415	BURNER BRACKET (VGSC306)		EA	
17	037304-000	FASTENER, PNH, TORX, AB, PSVD, WAX		EA	
18	045034-000	BRACKET, WASHER		EA	
19	042868-000	PANEL, INSL, RH, SHORT		EA	
20	046677-000	INSULATION, FBGL, RECEIVER, DAMPENING		EA	
21	008200-000	FAN BRACKET		EA	
22	057805-000	RECEIVER, HINGE, NUOVA STAR, DAMPENED		EA	
23	043800-000	BUMPER, RBR, BLK		EA	
24	044044-000	GROMMET, SWITCH, DOOR, RBR		EA	
25	005536-000	TRIM		EA	
26	042343-000	PANEL, INSL, LH		EA	
27	042875-000	PANEL, INSL, BACK, 18"		EA	



Item	Part No.	Name	Qty	Uom	NOTES
28	012438-000	SWITCH, LIM, BRKT		EA	
29	046187-000	SHIELD, WATER, DIVERTER		EA	
30	038705-000	REG, MTG, BRKT		EA	
31	046409-000	BRCKT, RETAINER, REGULATOR		EA	
32	003860-000	10-18 x .500 FASTNR,SCR,HXWH,STL,ZPLT		EA	
33	062991-000	VENT FLUE, ASM		EA	
34	045400-402	CAVITY, OVEN, VGR, 18" ASM		EA	
35	A2004428	REAR BOTTOM BRCKT (VGSC306)		EA	
NI	045736-402	FRAME, FR, WELDMENT, 18" BK		EA	
36	045060-000	RECEIVER, HINGE, SLOW- CLOSE, UNDAMPENED		EA	

LH Door View



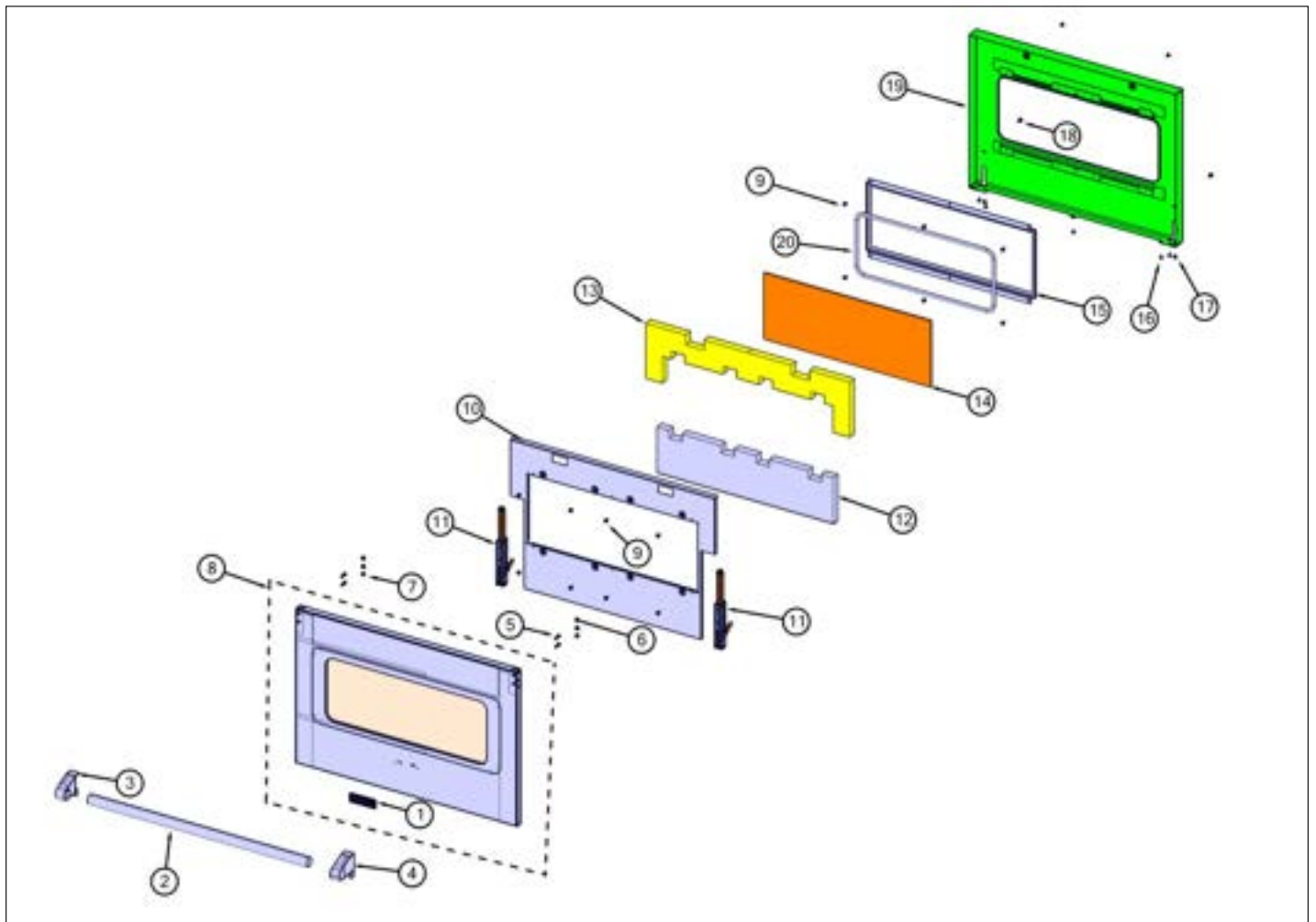


Item	Part No.	Name	Qty	Uom	NOTES
1	006221-000	18" DOOR HANDLE, SST	1	EA	
2	003011-000	DOOR HANDLE ENDCAP ASSY, LH (CHROME)	1	EA	
3	003012-000	DOOR HANDLE ENDCAP ASSY, RH (CHROME)	1	EA	
4	030823-000	#10-32 PAN HEAD PHILLIPS MACHINE SCREW	4	EA	
5	pd020073	SRW #10 X 24 X 3/8 WAFER HD TYPE23	2	EA	
6	004907-000	STEEL FINISHING PLUG, NICKEL PLTD 25/64" HOLE	4	EA	
7	062508-000	DOOR, OS, KIT, 18" ASM	1	EA	
7	062522-002	DOOR, OS, KIT, 18" ASM, PAINTED BK	1	EA	
7	062522-005	DOOR, OS, KIT, 18" ASM, PAINTED GG	1	EA	
7	062522-006	DOOR, OS, KIT, 18" ASM, PAINTED WH	1	EA	
7	062522-008	DOOR, OS, KIT, 18" ASM, PAINTED BU	1	EA	
7	062522-013	DOOR, OS, KIT, 18" ASM, PAINTED CB	1	EA	
7	062522-024	DOOR, OS, KIT, 18" ASM, PAINTED AR	1	EA	
7	062522-2801	DOOR, OS, KIT, 18" ASM, PAINTED Kalamata Red (KA)	1	EA	
7	062522-2847	DOOR, OS, KIT, 18" ASM, PAINTED Blackforest Green (BG)	1	EA	
7	062522-6180	DOOR, OS, KIT, 18" ASM, PAINTED Cypress Green (CY)	1	EA	
7	062522-6258	DOOR, OS, KIT, 18" ASM, PAINTED	1	EA	
7	062522-6421	DOOR, OS, KIT, 18" ASM, PAINTED Vanilla Cream (VC)	1	EA	
7	062522-6765	DOOR, OS, KIT, 18" ASM, PAINTED Bywater Blue (BW)	1	EA	
7	062522-6797	DOOR, OS, KIT, 18" ASM, PAINTED Alluvial Blue (AB)	1	EA	
7	062522-6871	DOOR, OS, KIT, 18" ASM, PAINTED San Marzano Red (SM)	1	EA	
7	062522-7024	DOOR, OS, KIT, 18" ASM, PAINTED Pacific Grey (PG)	1	EA	



Item	Part No.	Name	Qty	Uom	NOTES
7	062522-7070	DOOR, OS, KIT, 18" ASM, PAINTED Frost White (FW)	1	EA	
7	062522-7585	DOOR, OS, KIT, 18" ASM, PAINTED Reduction Red (RE)	1	EA	
7	062522-7652	DOOR, OS, KIT, 18" ASM, PAINTED Artic Grey (AG)	1	EA	
7	062522-7674	DOOR, OS, KIT, 18" ASM, PAINTED Damascus Grey (DG)	1	EA	
7	062522-9178	DOOR, OS, KIT, 18" ASM, PAINTED Slate Blue (SB)	1	EA	
8	046002-000	HINGE, NUOVA STAR, YELLOW	2	EA	
9	004526-000	10 x 1/2 PH, NPLT, TAPPING SCREW	4	EA	
10	050757-000	W/A RETAINER, INSULATION, 18"	1	EA	
11	046676-000	INSULATION, DOOR LINER, BOTTOM, 18"	1	EA	
12	050092-000	WEIGHT, RETAINER, INSULATION, BTM	1	EA	
13	046372-000	INSULATION, LINER, DOOR, 18"	1	EA	
14	050093-000	WEIGHT, RETAINER, INSULATION, TOP	1	EA	
15	046136-000	GLASS, DOOR, INNER	1	EA	
16	PB070014	DOOR GLASS SEAL STRIP - WINDOW DRS.	3.5ft	EA	
17	073818-000	BRACKET, GLASS, ID, 18"	1	EA	
18	PD020033	SRW-#10-24X1/2"T(23)PH.WFR HD (NKL)	2	EA	
19	PD020063	SCREW-#8(A) X 3/8"PH WFR HD/BK OXID	4	EA	
20	044070-402	PNL, LINER, WA, 18" BK	1	EA	
21	046651-000	SCREW, TRILOBE, 10-32, TRUSS, PH, BLACK	2	EA	

RH Door View



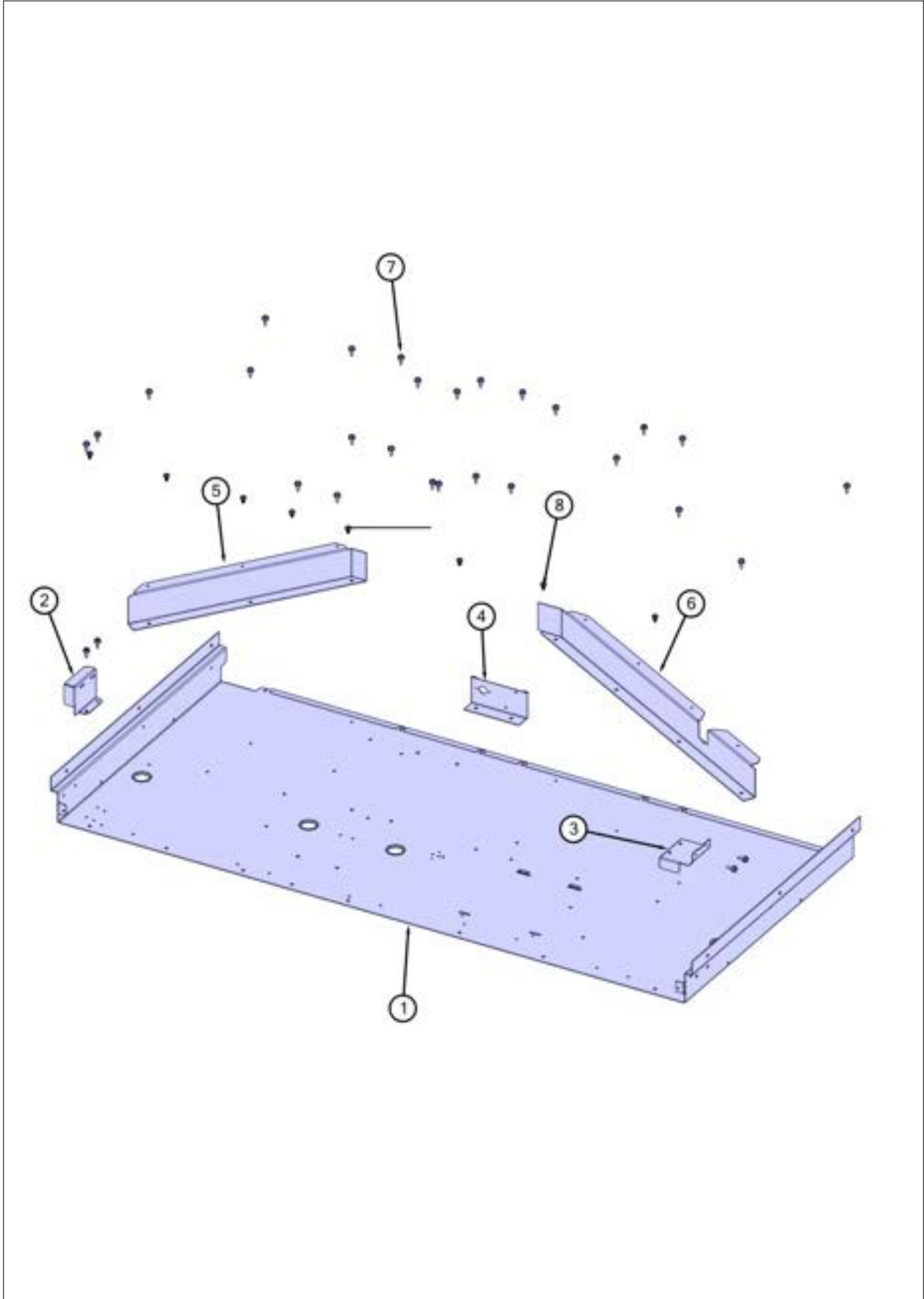


Item	Part No.	Name	Qty	Uom	NOTES
1	062341-000	NAMEPLATE, VIKING, 3.500", W/LOC PINS	1	EA	
2	002728-000	DOOR HANDLE - SS, 1.25" 29.5	1	EA	
3	003011-000	DOOR HANDLE ENDCAP ASSY, LH (CHROME)	1	EA	
4	003012-000	DOOR HANDLE ENDCAP ASSY, RH (CHROME)	1	EA	
5	030823-000	#10-32 PAN HEAD PHILLIPS MACHINE SCREW	4	EA	
6	004907-000	STEEL FINISHING PLUG, NICKEL PLTD 25/64" HOLE	4	EA	
7	pd020073	SRW #10 X 24 X 3/8 WAFER HD TYPE23	2	EA	
8	068446-000	ASM, DOOR, OS, KIT, 30", SS	1	EA	
8	068451-002	ASM, DOOR, OS, KIT, 30", PAINTED BK	1	EA	
8	068451-005	ASM, DOOR, OS, KIT, 30", PAINTED GG	1	EA	
8	068451-006	ASM, DOOR, OS, KIT, 30", PAINTED WH	1	EA	
8	068451-008	ASM, DOOR, OS, KIT, 30", PAINTED BU	1	EA	
8	068451-013	ASM, DOOR, OS, KIT, 30", PAINTED CB	1	EA	
8	068451-024	ASM, DOOR, OS, KIT, 30", PAINTED AR	1	EA	
8	068451-2801	ASM, DOOR, OS, KIT, 30", PAINTED Kalamata Red (KA)	1	EA	
8	068451-2847	ASM, DOOR, OS, KIT, 30", PAINTED Blackforest Green (BG)	1	EA	
8	068451-6180	ASM, DOOR, OS, KIT, 30", PAINTED Cypress Green (CY)	1	EA	
8	068451-6258	ASM, DOOR, OS, KIT, 30", PAINTED Cast Black (CS)	1	EA	
8	068451-6421	ASM, DOOR, OS, KIT, 30", PAINTED Vanilla Cream (VC)	1	EA	
8	068451-6765	ASM, DOOR, OS, KIT, 30", PAINTED Bywater Blue (BW)	1	EA	
8	068451-6797	ASM, DOOR, OS, KIT, 30", PAINTED Alluvial Blue (AB)	1	EA	
8	068451-6871	ASM, DOOR, OS, KIT, 30", PAINTED San Marzano Red (SM)	1	EA	



Item	Part No.	Name	Qty	Uom	NOTES
8	068451-7024	ASM, DOOR, OS, KIT, 30", PAINTED Pacific Grey (PG)	1	EA	
8	068451-7070	ASM, DOOR, OS, KIT, 30", PAINTED Frost White (FW)	1	EA	
8	068451-7585	ASM, DOOR, OS, KIT, 30", PAINTED Reduction Red (RE)	1	EA	
8	068451-7652	ASM, DOOR, OS, KIT, 30", PAINTED Artic Grey (AG)	1	EA	
8	068451-7674	ASM, DOOR, OS, KIT, 30", PAINTED Damascus Grey (DG)	1	EA	
8	068451-9178	ASM, DOOR, OS, KIT, 30", PAINTED Slate Blue (SB)	1	EA	
9	004526-000	10 x 1/2 PH, NPLT, TAPPING SCREW	14	EA	
10	046032-000	RETAINER, INSL, 30" INSIDE	1	EA	
11	046001-000	HINGE, NUOVA STAR, ORANGE	2	EA	
12	046674-000	INSULATION, DOOR LINER, BOTTOM, 30"	1	EA	
13	046192-000	INSULATION, LINER, DOOR, 30"	1	EA	
14	025099-000	INNER DOOR GLASS, 30"	1	EA	
15	L20014077	30" WINDOW HOLDER	1	EA	
16	PD020032	SRW-8(A)X3/8"PH.WFR HD 7/16DIA*NICL	3	EA	
17	PD020063	SCREW-#8(A) X 3/8"PH WFR HD/BK OXID	4	EA	
18	046651-000	SCREW, TRILOBE, 10-32, TRUSS, PH, BLACK	2	EA	
19	044058-402	PNL, LINER, WA, 30"BK	1	EA	
20	073818-000	BRACKET, GLASS, ID, 18"	4.88ft	EA	

Top Base View





Item	Part No.	Name	Qty	Uom	NOTES
1	064633-000	PANEL, INSL, 48" TOP, VGR7		EA	
2	051663-000	BRACKET, SWITCH, OVEN LIGHT, LH		EA	
3	046065-000	BRACKET, SWITCH, OVEN LIGHT		EA	
4	060591-000	BRACKET, SWITCH, LIMIT, HI		EA	
5	042346-000	DIVERTER, AIR, LH		EA	
6	046489-000	DIVERTER, AIR, RH		EA	
7	003860-000	10-18 x .500 FASTNR,SCR,HXWH,STL,ZPLT		EA	
8	037304-000	FASTENER, PNH, TORX, AB, PSVD, WAX		EA	
9	037304-000	FASTENER, PNH, TORX, AB, PSVD, WAX		EA	



Appendix A:Pages Index

Bottom Base View	9
Control View	5
Decor View	7
Electrical View	4
Gas Asm View	3
Harness View	2
LH Cavity View	10
LH Door View	11
RH Cavity View	8
RH Door View	12
Surface Cooking View	1
Top Base View	13
Wiring View	6



Appendix B:Parts Index

002728-000	12	038606-2847	7
002884-000	3	038606-6180	7
003011-000	11, 12	038606-6258	7
003012-000	11, 12	038606-6421	7
003801-000	7	038606-6765	7
003860-000	1, 4, 9, 10, 13	038606-6797	7
004285-000	8	038606-6871	7
004526-000	11, 12	038606-7024	7
004907-000	11, 12	038606-7070	7
005536-000	8, 10	038606-7585	7
006221-000	11	038606-7652	7
008200-000	10	038606-7674	7
009005-000	8, 10	038606-9178	7
009111-000	3	038705-000	10
009112-000	3	040736-000	8, 10
012438-000	8, 10	042339-000	8
013580-402	8	042343-000	10
014747-000	8	042346-000	13
019959-000	4	042350-000	1
020409-000	8	042372-000	7
020412-000	8	042375-000	7
021199-000	4	042545-000	1
023005-000	4	042741-000	1
025099-000	12	042742-000	1
030813-000	4	042785-000	1
030823-000	11, 12	042797-000	7
031313-000	1	042806-000	7
031445-402	8, 10	042837-000	8
031735-000	4	042866-000	8
031818-000	3	042867-000	8
033668-000	8	042868-000	10
037304-000	4, 8, 10, 10, 13, 13	042875-000	10
038605-000	7	043453-000	4
038606-002	7	043611-000	4
038606-005	7	043615-000	4
038606-006	7	043657-000	4
038606-008	7	043675-000	3
038606-013	7	043746-000	7
038606-024	7	043790-000	3
038606-2801	7	043791-000	3
		043800-000	10



043907-000	9	046136-000	11
043994-000	4	046184-000	3
044039-000	3	046187-000	8, 10
044044-000	10	046192-000	12
044058-402	12	046283-000	4
044070-402	11	046361-000	10
044096-000	3	046372-000	11
044140-000	7	046399-000	3
044178-000	7	046409-000	10
044180-000	2	046489-000	13
044195-000	4	046651-000	8, 10, 11, 12
044313-000	3	046674-000	12
044321-000	3	046676-000	11
044323-000	3	046677-000	8, 10
044513-000	8	046826-000	3
044637-000	3	046964-000	3
044638-000	3	047055-000	9
044686-000	3	047065-000	10
044688-000	3	048014-000	4
044691-000	3	048028-000	3
044747-000	4	048029-000	3
044793-000	8	048031-000	3
045032-000	4	048188-000	1
045034-000	8, 10	048236-402	1
045060-000	10	048961-000	1
045400-402	10	049500-000	8
045528-000	8	049534-000	1
045548-000	1, 8	049551-002	7
045550-000	8	049551-005	7
045551-000	8	049551-006	7
045594-000	4	049551-008	7
045666-402	8	049551-013	7
045736-402	10	049551-024	7
045774-000	4	049551-2801	7
045932-000	4	049551-2847	7
046001-000	12	049551-6180	7
046002-000	11	049551-6258	7
046032-000	12	049551-6421	7
046065-000	13	049551-6765	7
046119-000	3	049551-6797	7
046128-000	10	049551-6871	7



049551-7024	7	052259-000	1
049551-7070	7	052260-000	1
049551-7585	7	052632-000	8, 10
049551-7652	7	052892-000	7
049551-7674	7	054057-000	8
049551-9178	7	055025-000	10
049552-002	7	056013-000	8
049552-005	7	056462-000	3
049552-006	7	057805-000	10
049552-008	7	058147-000	1
049552-013	7	058659-603	4
049552-024	7	058659-604	4
049552-2801	7	059103-000	7
049552-2847	7	059157-000	6
049552-6180	7	060591-000	13
049552-6258	7	061041-000	5
049552-6421	7	061076-000	4
049552-6765	7	061090-501	5
049552-6797	7	061211-000	4
049552-6871	7	061224-000	3
049552-7024	7	061225-000	3
049552-7070	7	061251-000	4
049552-7585	7	062214-000	4
049552-7652	7	062341-000	12
049552-7674	7	062508-000	11
049552-9178	7	062522-002	11
049629-000	8	062522-005	11
049695-000	1	062522-006	11
049728-000	1	062522-008	11
049743-000	1	062522-013	11
049753-000	1	062522-024	11
049878-000	4	062522-2801	11
049964-000	1	062522-2847	11
050092-000	11	062522-6180	11
050093-000	11	062522-6258	11
050266-000	10	062522-6421	11
050267-000	8	062522-6765	11
050757-000	11	062522-6797	11
050794-000	8	062522-6871	11
051541-000	3	062522-7024	11
051663-000	13	062522-7070	11



062522-7585	11	068451-2847	12
062522-7652	11	068451-6180	12
062522-7674	11	068451-6258	12
062522-9178	11	068451-6421	12
062885-501	4	068451-6765	12
062991-000	8, 10	068451-6797	12
063263-000	4	068451-6871	12
063295-000	3	068451-7024	12
063636-000	4	068451-7070	12
063640-000	5	068451-7585	12
064414-2844	5	068451-7652	12
064541-000	4	068451-7674	12
064543-000	4	068451-9178	12
064633-000	13	068653-601	4
065686-000	1	068932-000	3
065702-579	4	073818-000	11, 12
065730-000	7	A2004428	8, 10
065783-000	7	A2004429	8
066105-000	3	A2004439	8
066169-000	3	A2005586	10
066170-000	1	B2004415	10
066171-000	3	G9105587BK	10
066172-000	3	L20014077	12
066173-000	3	M0211021	4
066203-000	8	PB020116	3
066212-000	10	PB020126	3
066225-402	7	PB020191	3
066367-000	4	PB020198	3
066808-000	4	PB040026	3
066809-000	4	PB040027	3
067030-000	3	PB040050	3
067117-2549	5	PB040178	3
067118-2544	5	PB040192	3
068446-000	12	PB040213	3
068451-002	12	PB070014	11
068451-005	12	PB070208	4
068451-006	12	PC030007	9
068451-008	12	PD010012	3
068451-013	12	PD020004	3
068451-024	12	PD020006	4
068451-2801	12	PD020010	8



PD020032 5, 7, 12
PD020033 11
PD020046 5
PD020063 11, 12
PD020067 4, 8, 10
PD020068 1
PD020269 5
PD030018 3
PD040005 8
PE050206 4
PJ030022 4
g3001876 3
pd020073 11, 12
pd020232 7
pe070069 7