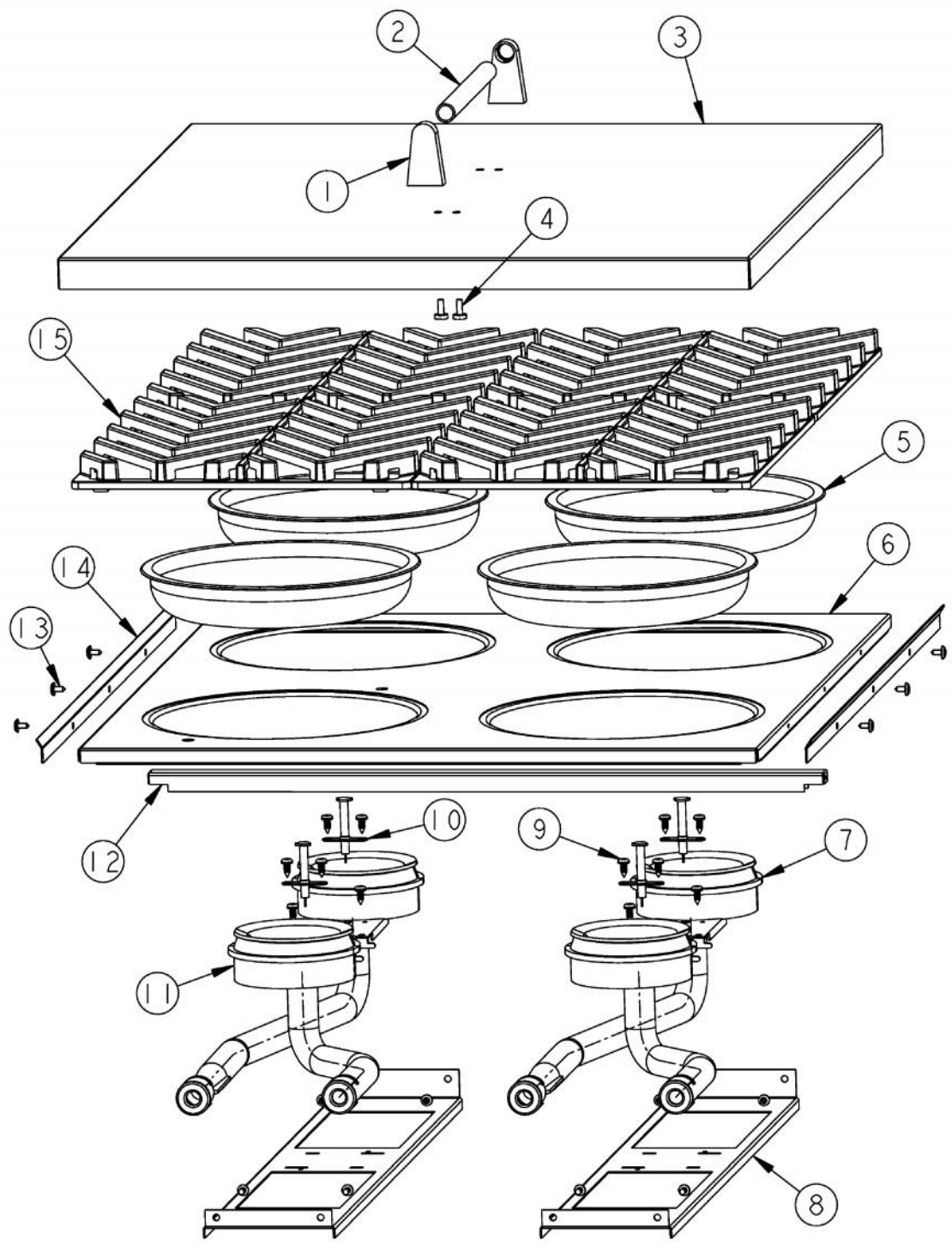
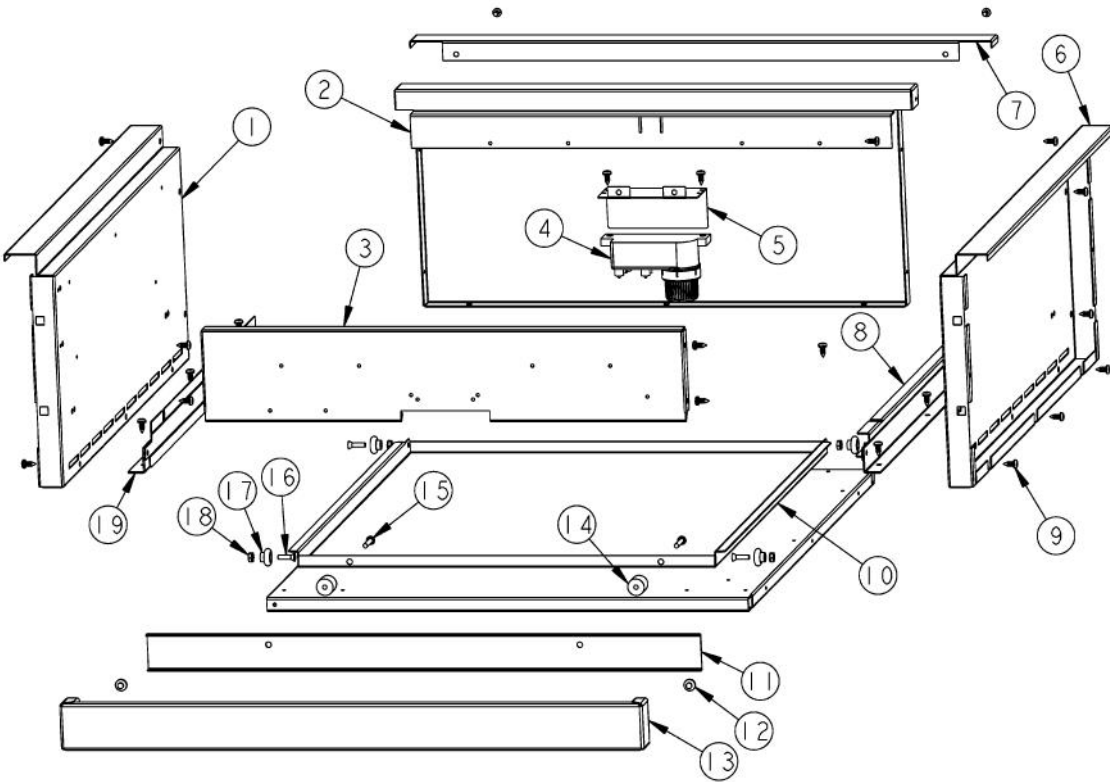


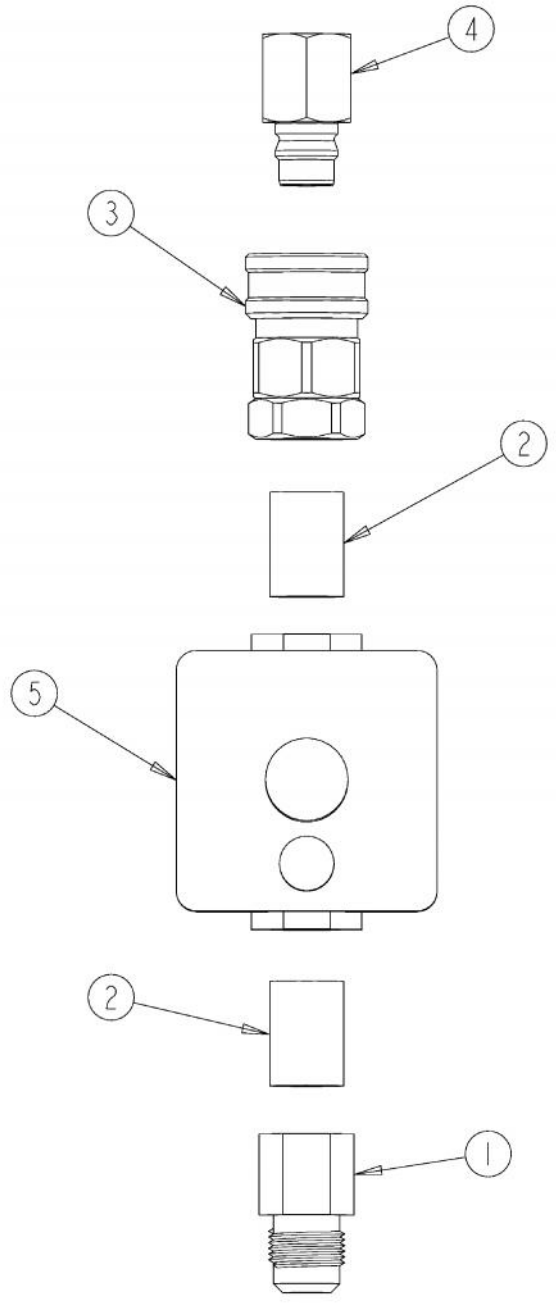
Ref #	Part Number	Qty.	Description
1	G3006352		OUTDOOR WOK LANDING LEDGE PHASE II
2	PA010151		GRILL VALVE NAT. (1,800-15,000 BTU)
2	PA010152		SUB TO 003539-000 - GRILL VALVE L.P. (3,700-13,500 BTU)
3	PD020055		NO.10 X 1/2 PAN PHIL. TEK. SS
4	PD030006		CAPPED WASHER PAL NUT
5	PD030050		10-24 CAGE NUT SS
6	PD020056		NO.10-24 X 1/2 PH.TR. M.S. SS
7	PB010208		BEZEL, CHROME PLATE
7	PB010209		BEZEL BRASS
8	PA010126		OUTDOOR GRILL KNOB
9	PE010165		VIKING CHROME PLATE LOGO
9	PE010166		VIKING LOGO BRASS
10	PD020046		NO.8 X 1/2 SCREWS
11	PB010163		OVEN LIGHT SWITCH KNOB BK
12	B92014960		CONTROL PANEL
13	PE050063		SPARKER SWITCH
14	PA050126		VGSB244T FUEL MANIFOLD
15	PD010012		VALVE BOLT 1/4-20 UNC-2B 5/16 M.S.



Ref #	Part Number	Qty.	Description
1	PE030187		ENDCAP, TUBE
2	PE030197		VGIQ30 COVER HANDLE
3	B20015517		24 SIDE BURNER COVER
4	PD020056		NO.10-24 X 1/2 PH.TR. M.S. SS
NI	G32015530		24 SIDE BURNER COVER ASSY (INCLUDES ITEMS 1 THROUGH 4)
5	PA030002SS		BURNER BOWL (VGBQ) XSSX
6	003661-000		GRATE SUPPORT(VGRT244T)
7	004278-000		SS BURNER ASM, REAR TOP
8	B2005260		PHASE II BURNER SUPPORT
9	PD020055		NO.10 X 1/2 PAN PHIL. TEK. SS
10	PA020028		SPARK IGNITER
11	004277-000		SS BURNER ASM, FRONT SIDE
12	003798-000		CENTER GRATE SUPPORT STIFFENER
13	PD020032		SRW-8(A)X3/8PH.WFR HD 7/16DIAXNICL
14	003693-000		GRATE SUPPORT TRIM (VGRT244T)
15	PA060051		GRILL V GRATE (PHASE 2)
NI	024058-000		CROSS BRACE
NI	PD020055	2	NO.10 X 1/2 PAN PHIL. TEK. SS (USED TO ATTACH 024058-000)

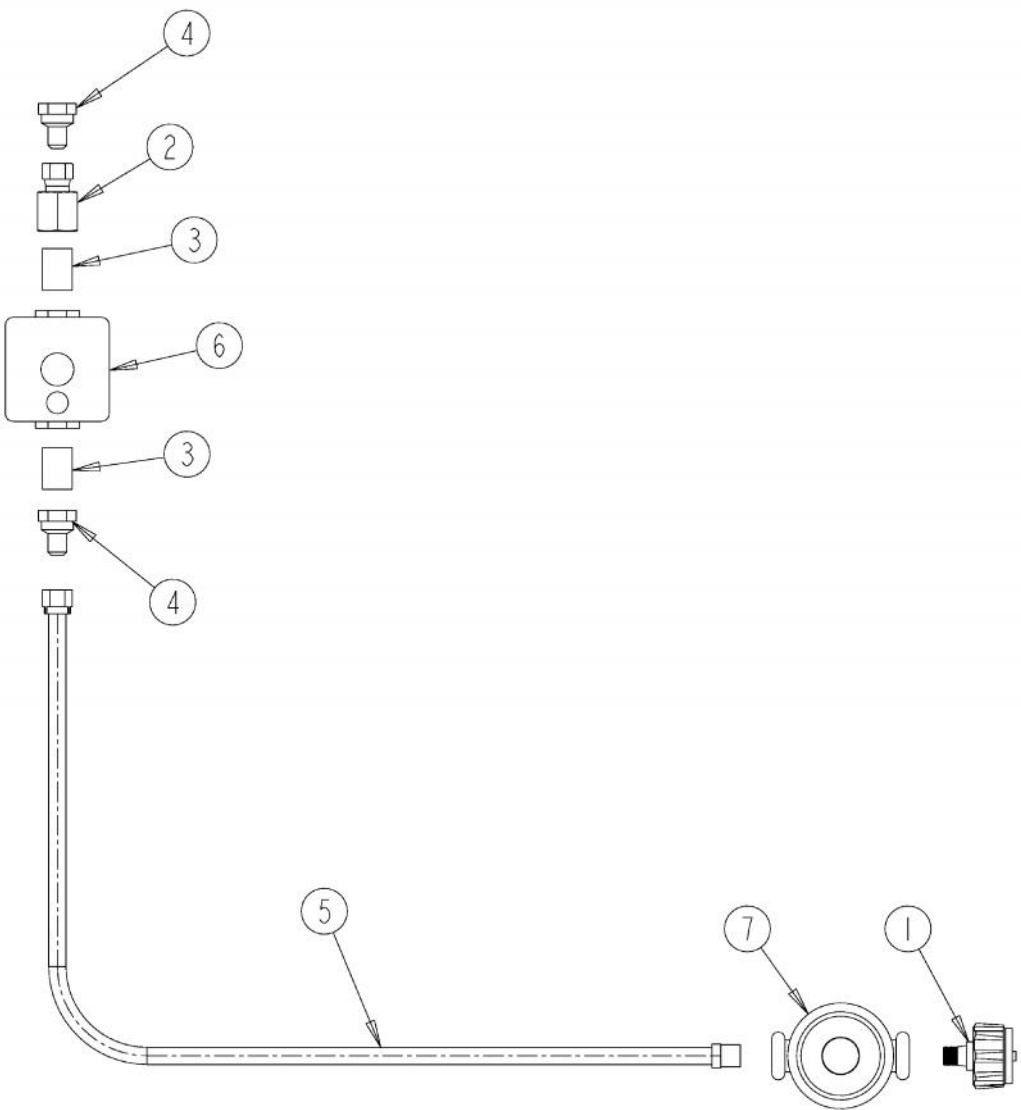


Ref #	Part Number	Qty.	Description
1	B20012951		GRILL BOX SIDE, LH
2	B20014963		BURNER BOX BACK
3	003660-000		FRONT SUPPORT
4	PA020036		SPARK MODULE
5	B2005250		SPARK MODULE BRACKET (PHASE 2)
6	B20012950		GRILL BOX SIDE, RH
7	B2006357		OUTDOOR WOK CABINET REAR TRIM P2
8	G3005215		DRIP TRAY SLIDE - RH
9	PD020055		NO.10 X 1/2 PAN PHIL. TEK. SS
10	B20013863		DRIP TRAY (VGIB241)
11	B20013865		HANDLE BACK (VGIB241)
12	PD040004		GROMMET BUMPER
13	G30015476		DRIP TRAY HANDLE ASSY
14	PD040028		BUSHING(.194ID/.750OD/.750LONG)
15	PD020079		NO.10 X 1 1/4 PH. PAN HD. T(A) NYLOK
NI	G32013866		DRIP TRAY ASSY (VGIB241T) (INCLUDES ITEMS 10 THROUGH 15)
16	PD020082		10 X 24 COUNTERSUNK S.S. SCREW
17	PC020025		DRIP TRAY WHEEL
18	PD030044		10-24 KEPS NUT SS
19	G3005214		DRIP TRAY SLIDE - LH



Ref #	Part Number	Qty.	Description
1	PB020239		7/8 FLARE TO 1/2 FEMALE CONNECTOR
2	PB040046		1/2 CLOSE NIPPLE (VGSO166)
3	PB040166		FEMALE COUPLER (PHASE 1 GRILL)
4	PB040167		MALE COUPLER (PHASE 1 GRILL)
5	PA070006		PRESSURE REGULATOR - NATURAL
NI	G3004936		REGULATOR ASSY - NAT (P1 GRILL)





Ref #	Part Number	Qty.	Description
1	PA010138		CYLINDER CONNECTION
2	PB040235		1/2NPT TO 3/8 FLARE COUPLING
3	PB040046		1/2 CLOSE NIPPLE (VGSO166)
4	PB040146		1/2 X 3/8 FLARE ADAPTER (VGBQ)
5	PB020227		HIGH PRESSURE LP HOSE
6	PA070005		PRESSURE REG.(LP) RV47L-77-10.0
7	PA070007		LP TANK REGULATOR (VGBQ)
NI	G3004937		REGULATOR ASSY - L.P. W/HOSE

*No Image  
Available*

Ref #	Part Number	Qty.	Description
1	G4006376		WIRE ASSY (VGBQ-T SERIES) 10

*No Image  
Available*

Ref #	Part Number	Qty.	Description
1	G40015478		WIRE ASSY (VGSB SERIES) 19

*No Image  
Available*

Ref #	Part Number	Qty.	Description
1	G40015479		WIRE ASSY (VGSB SERIES) 8