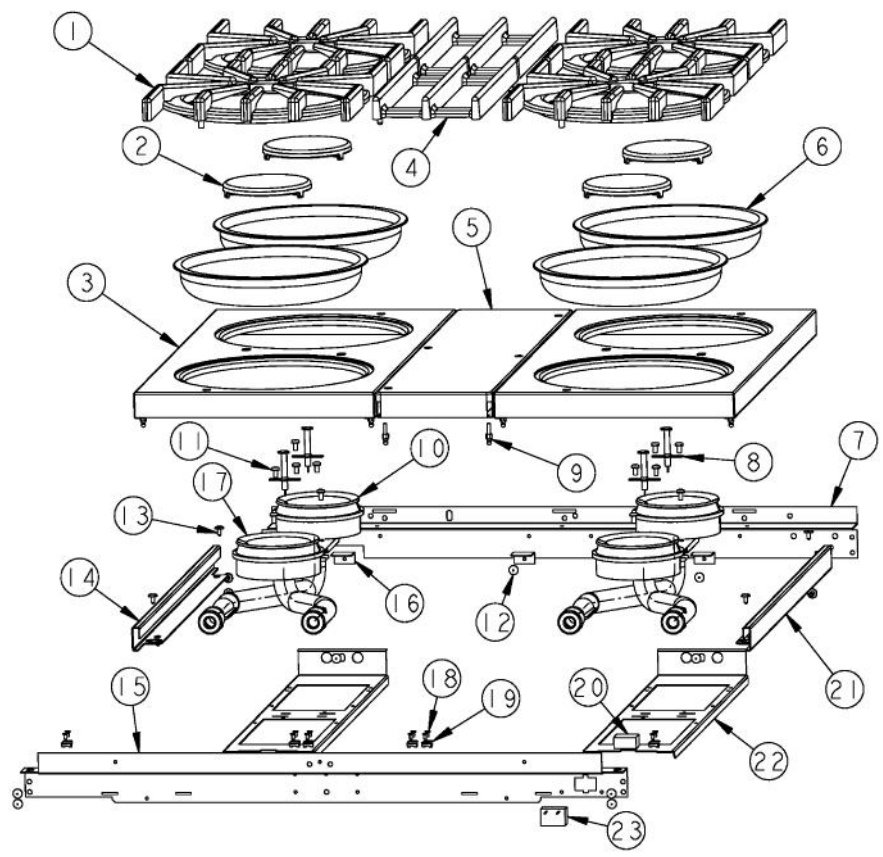
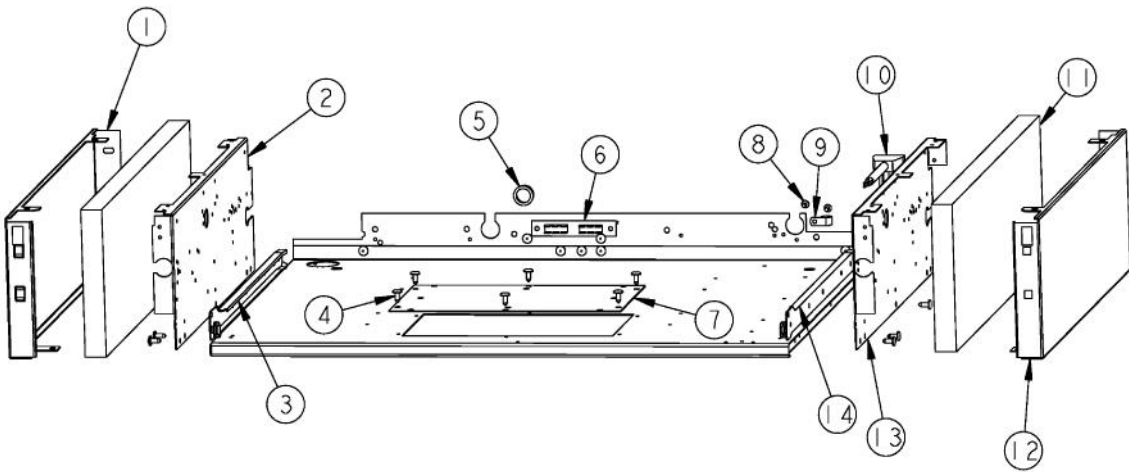


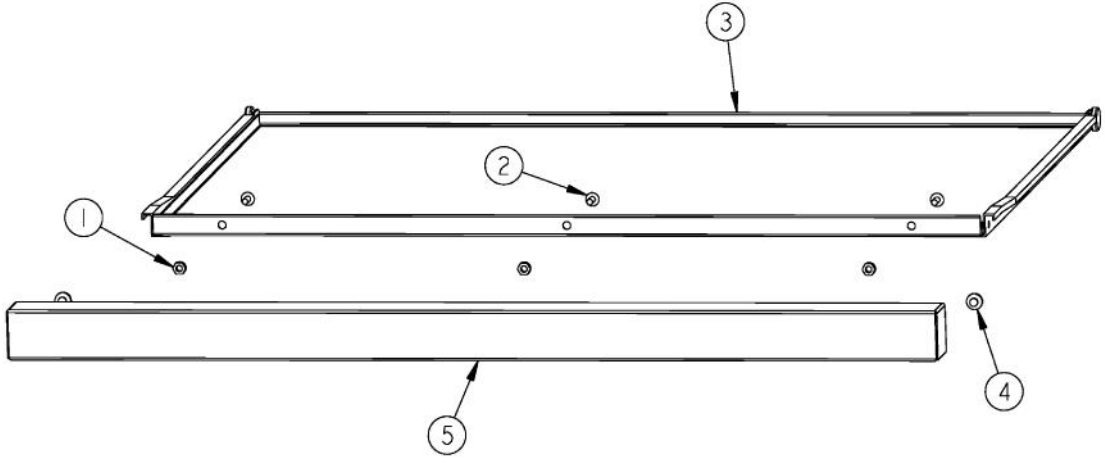
Ref #	Part Number	Qty.	Description
1	G3001406		LANDING LEDGE ASSY
2	PA070001		PRESSURE REGULATOR (NAT.)
3	PA050113		MANIFOLD
4	PA020058		IRIS SINGLE SPARK MODULE
5	PA010012		ROPER PLUG
6	PA010157		SUB TO 003515-000 - RANGE TOP BURNER VALVE
7	PD010041		10-24 X 1/2 PH.TR.HD.M.S. NYLOK
8	A1001138		MANIFOLD BRKT
9	PD020002		10 X 1/2 PH.TR.HD.SMS.
10	PD010012		VALVE BOLT 1/4-20 UNC-2B 5/16 M.S.
11	PD030006		CAPPED WASHER PAL NUT
12	PD030005		SELF RETAINING NUT
13	PD020033		SRW-NO.10-24X1/2T(23)PH.WFR HD (NKL)
14	PB010208		BEZEL, CHROME PLATE
	PB010209		BEZEL BRASS
15	PB010206		VGSC,VGRC,VGRT TOP BURNER KNOB(BK)
	PB010207		VGSC,VGRC,VGRT TOP BURNER KNOB(WH)
16	PD020067		NO.6 X 3/8 PAN PHIL. TEK SS
17	PE010142		3 LOGO XBKXXCHROME
	PE010143		3 LOGO BK/BR
	PE010144		3 LOGO XWHXCHROME
	PE010145		LOGO - WH / BR
18	B9201332		CTRL PAN-VGRT300-4BSS XSLK SCR
	C9201332AL		CTRL PAN- XALX (VGRT300-4B)XSLK S
	C9201332BK		CTRL PAN- XBKX (VGRT300-4B)XSLK S
	C9201332BT		CONTROL PANEL VGRT300-4B XBTX SILK SCR
	C9201332BU		CONTROL PANEL VGRT300-4B XBUX SILK SCR
	C9201332CB		CONTROL PANEL VGRT300-4B XCBX SILK SCR
	C9201332EP		CONTROL PANEL VGRT300-4B XEPX SILK SCR
	C9201332FG		CONTROL PANEL VGRT300-4B XFGX SILK SCR
	C9201332GG		CONTROL PANEL VGRT300-4B XGGX SILK SCR
	C9201332LE		CONTROL PANEL VGRT300-4B XLEX SILK SCR
	C9201332MJ		CONTROL PANEL VGRT300-4B XMJX SILK SCR
	C9201332SG		CONTROL PANEL VGRT300-4B XSGX SILK SCR
	C9201332VB		CONTROL PANEL VGRT300-4B XVBX SILK SCR
	C9201332WH		CTRL PAN- XWHX (VGRT300-4B)XSLK S



Ref #	Part Number	Qty.	Description
1	PA060037		GRATE BK REPL PA060024 (GEN.NO.2)
2	PA080015		BURNER CAP-VGRT XBKX
3	G50013584BK		GRATE SUPPORT SERVICE KIT (BK)
	G50013584WH		GRATE SUPPORT SERVICE KIT (WH)
4	PA060049		CENTER GRATE - MATT BK
5	E9104416BK		CENTER SPACER (VGSC306) XBKX
	E9104416WH		CENTER SPACER (VGSC306) XWHX
6	PA030002BK		BURNER BOWL (VGRT) XXBKXX
	PA030002WH		BURNER BOWL (VGRT) XXWHXX
7	A2002364		REAR BURNER SUPT VGSC/SS30
8	PA020028		SPARK IGNITER
9	PD010017		BALL STUD (VGRT)
10	PA080036		TOP BURNER REAR REPL PA080008
11	PD020004		10X3/8PH.HD.TYPE 25 REPL PD040125
12	PD020002		10 X 1/2 PH.TR.HD.SMS.
13	PD020032		SRW-8(A)X3/8PH.WFR HD 7/16DIAXNICL
14	B2001916		SIDE TRIM-LH (VGRT)
	C9301916BR		SIDE TRIM LH (VGRT) XBRX
15	A2001404		FRONT BURNER HOLDER (VGSS)
16	A2001147		GRATE SUPT ANGLE (VGRT)
17	PA080037		TOP BURNER FRONT REPL PA080007
18	PC040010		POP RIVET
19	PD010016		BALL STUD FASTEN
20	PE070071		DISCONNECT BLOCK XALX 770027-1
21	B2001915		SIDE TRIM-RH (VGRT)
	C9301915BR		SIDE TRIM RH (VGRT) XBRX
22	A2001112		BURNER SUPT (VGRT)
23	000573-000		POWER JUMPER WIRE

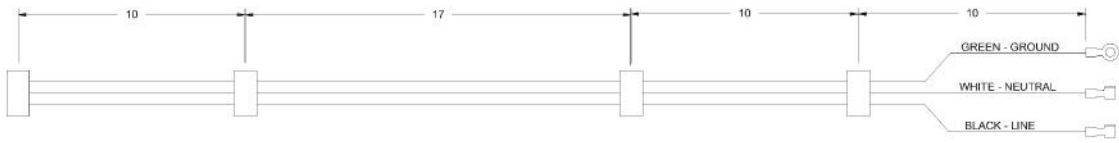


Ref #	Part Number	Qty.	Description
1	B2001920		SIDE PANEL-LH (VGRT)
2	A2001912		BURNER BOX SIDE LH
3	PK000007		DRIP TRAY GUIDE - LH (VGRT)
4	PD020002		10 X 1/2 PH.TR.HD.SMS.
5	PD040005		SNAP BUSHING - 7/8
6	PE050001		TERMINAL BOARD
7	A1006344		DOOR LOCK ACCESS PANEL 48
8	PD020010		10 X 3/8 GREEN GROUNDING SCREW
9	PD030009		CLAMP, AL-8 (.500)
10	PE070128		SUPPLY CORD (VGRT/SC/SS/RC)
11	PB070034		INSULATION-TRS-10 1 X 20 X 3`
12	B2001919		SIDE PANEL-RH (VGRT)
13	A2001911		BURNER BOX SIDE RH
14	PK000008		DRIP TRAY GUIDE - RH

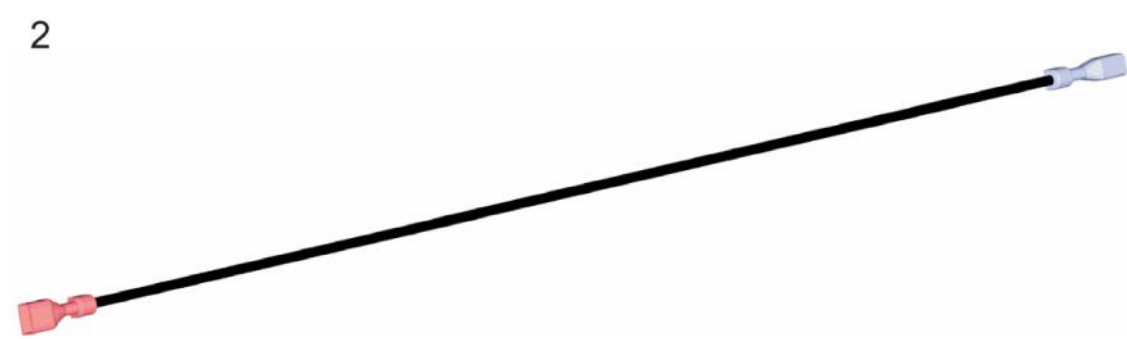
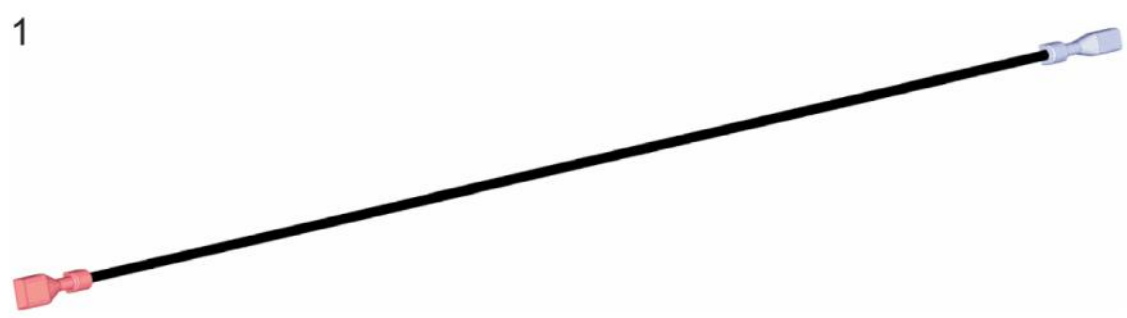


Ref #	Part Number	Qty.	Description
1	PD030010		NO.10-24 KEPS NUT
2	PD010041		10-24 X 1/2 PH.TR.HD.M.S. NYLOK
3	G30010454		30 DRIP TRAY ASSY
4	PD040004		GROMMET BUMPER
5	B3001840		DRIP TRAY HANDLE
	C9301840PVD		DRIP TY HDLE REPL C9301840BR

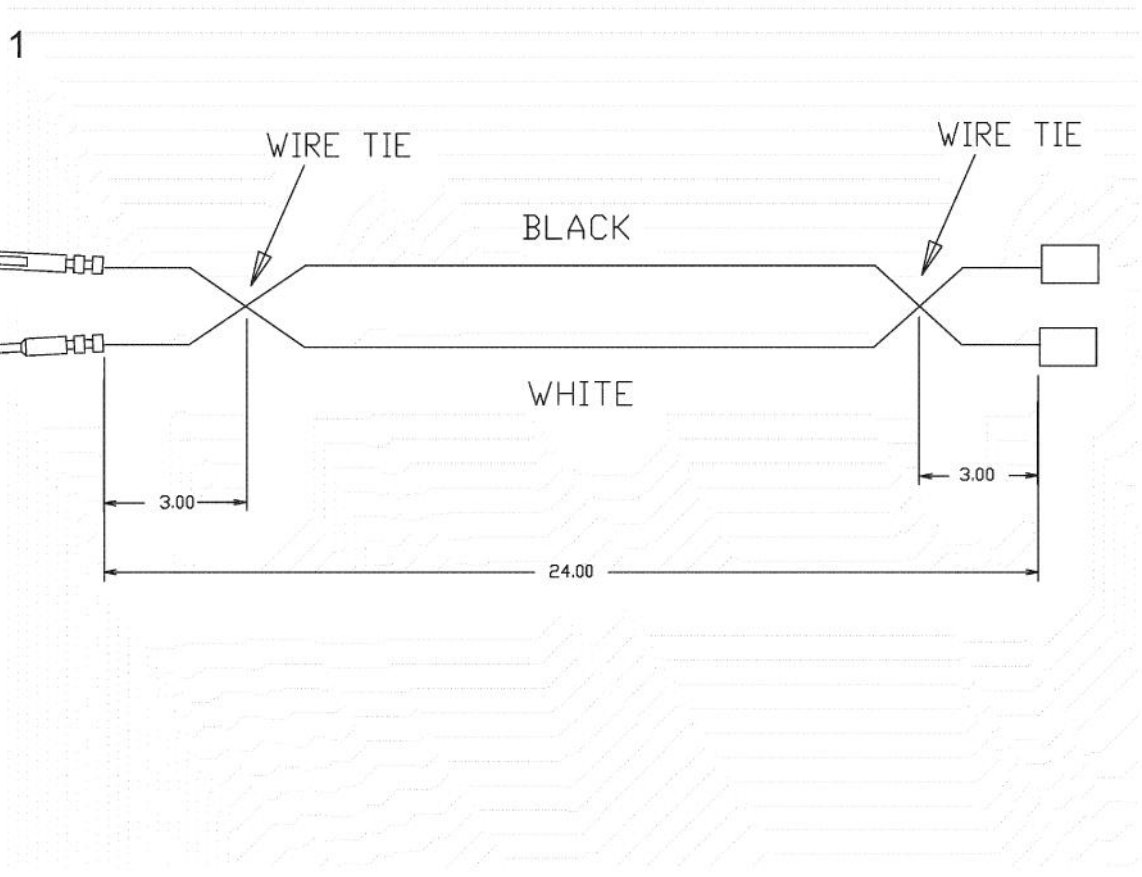
1



Ref #	Part Number	Qty.	Description
1	PE070889		IRIS HARNESS - 30



Ref #	Part Number	Qty.	Description
1	000647-000		IRIS IGNITOR WIRE, FRONT BURNER
2	000648-000		IRIS IGNITOR WIRE, BACK BURNER



Ref #	Part Number	Qty.	Description
1	000837-000		VGRT SUPPLY CORD JUMPER (BEFORE 10/4/11)
1	027347-000		SUPPLY CORD JUMPER (ON OR AFTER 10/4/11)

*No Image
Available*

Ref #	Part Number	Qty.	Description
-------	-------------	------	-------------
