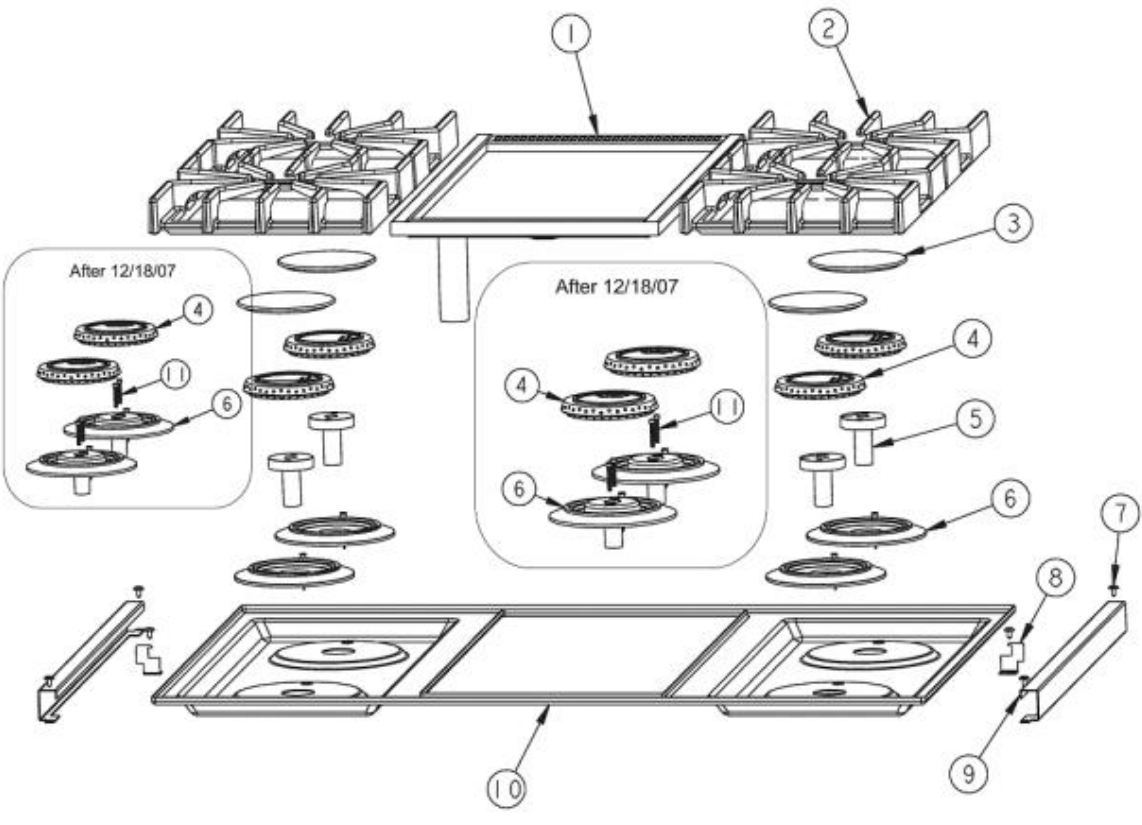
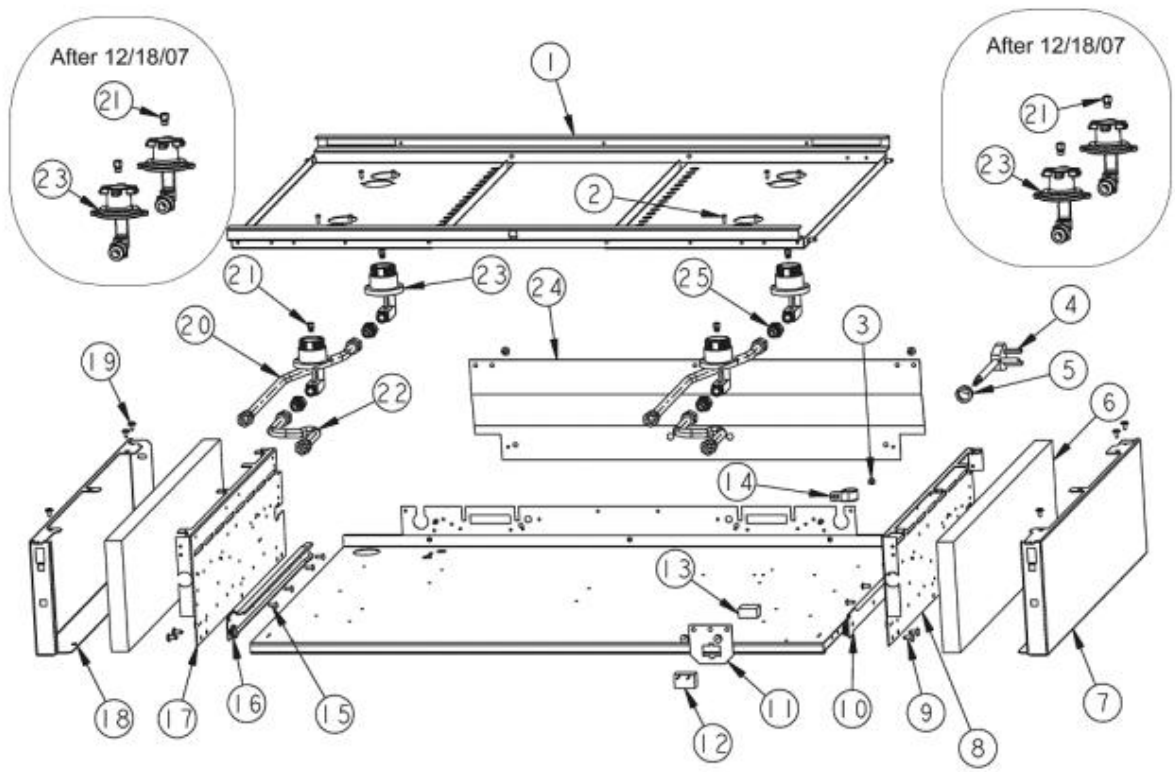


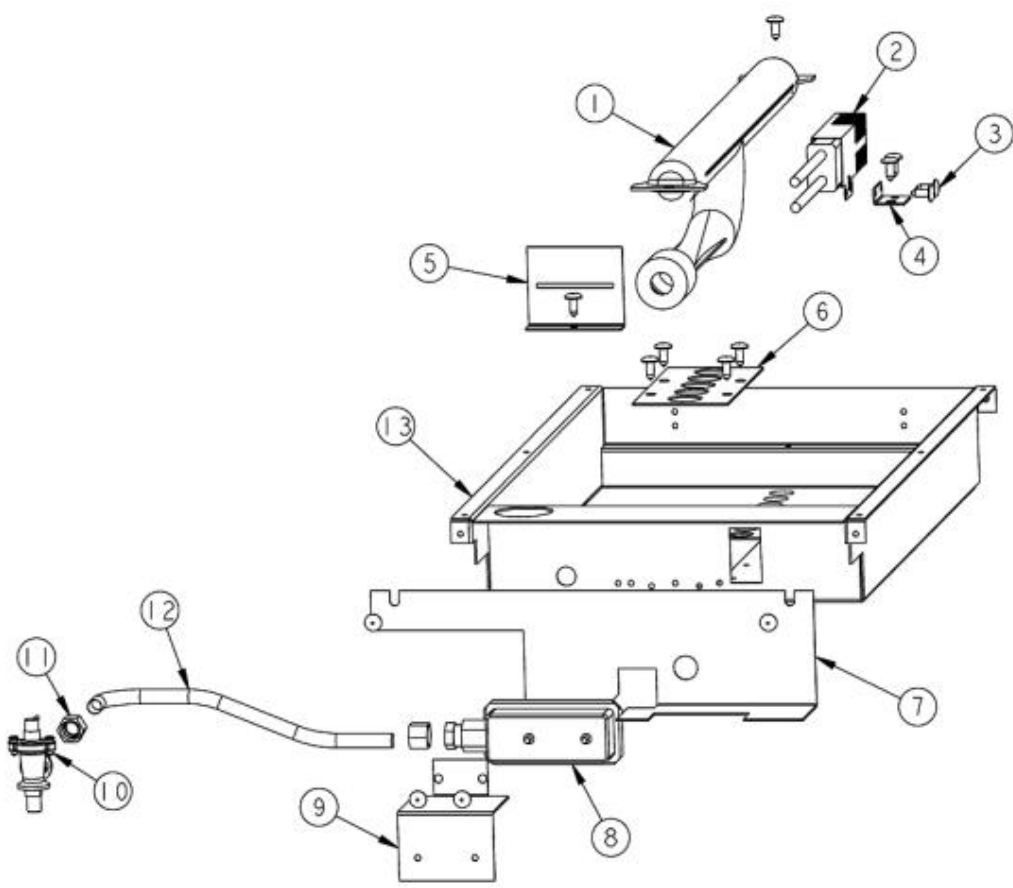
Ref #	Part Number	Qty.	Description
1	PD010003		10-24 X 1/2 PH.TR.HD.SERD.M.S.
2	G3009151		36 SEALED LANDING LEDGE ASSY
3	PD030005		SELF RETAINING NUT
4	PD020002		10 X 1/2 PH.TR.HD.SMS.
5	A1001138		MANIFOLD BRKT
6	PD010012		VALVE BOLT 1/4-20 UNC-2B 5/16 M.S.
7	PA010158		SUB TO 003517-000 - SEALED BURNER FLARE VALVE
8	PA020058		IRIS SINGLE SPARK MODULE
9	PB010264		GRIDDLE THERMOSTAT
10	PA010012		ROPER PLUG
11	PA050114		MANIFOLD
12	PB030007		SHUT OFF VALVE
13	PA070001		PRESSURE REGULATOR (NAT.)
14	B9201583		CTRL PAN-(VGRT36-4G) XSLK SCRX
	C9201583AL		CONTROL PANEL VGRT360-4G XALX SILK SCR
	C9201583BK		CTRL PAN - (VGRT360-4G)XSLK SCRX
	C9201583BT		CONTROL PANEL VGRT360-4G XBTX SILK SCR
	C9201583BU		CONTROL PANEL VGRT360-4G XBUX SILK SCR
	C9201583CB		CONTROL PANEL VGRT360-4G XCBX SILK SCR
	C9201583EP		CONTROL PANEL VGRT360-4G XEPX SILK SCR
	C9201583FG		CONTROL PANEL VGRT360-4G XFGX SILK SCR
	C9201583GG		CONTROL PANEL VGRT360-4G XGGX SILK SCR
	C9201583LE		CONTROL PANEL VGRT360-4G XLEX SILK SCR
	C9201583MJ		CONTROL PANEL VGRT360-4G XMJX SILK SCR
	C9201583SG		CONTROL PANEL VGRT360-4G XSGX SILK SCR
	C9201583VB		CONTROL PANEL VGRT360-4G XVBX SILK SCR
	C9201583WH		CTRL PAN - (VGRT360-4G)XSLK SCRX
15	PD030006		CAPPED WASHER PAL NUT
16	PE050024		OVEN IND. LIGHT (LIGHT HOUSING)
17	PD020033		SRW-NO.10-24X1/2T(23)PH.WFR HD (NKL)
18	PD020067		NO.6 X 3/8 PAN PHIL. TEK SS
19	PB010206		VGSC,VGRC,VGRT TOP BURNER KNOB(BK)
	PB010207		VGSC,VGRC,VGRT TOP BURNER KNOB(WH)
20	PD020044		NO.8-32 X 1/4 PH. TR. HD. M.S.
21	PB010103		GRIDDLE KNOB N/S XBKX
	PB010104		GRIDDLE KNOB N/S XWHX
22	PE050023		OVEN IND. LIGHT (LENS & BEZEL)
23	PE010142		3 LOGO XBKXXCHROME
	PE010143		3 LOGO BK/BR
	PE010144		3 LOGO XWHXCHROME
	PE010145		LOGO - WH / BR
24	PB010208		BEZEL, CHROME PLATE
	PB010209		BEZEL BRASS



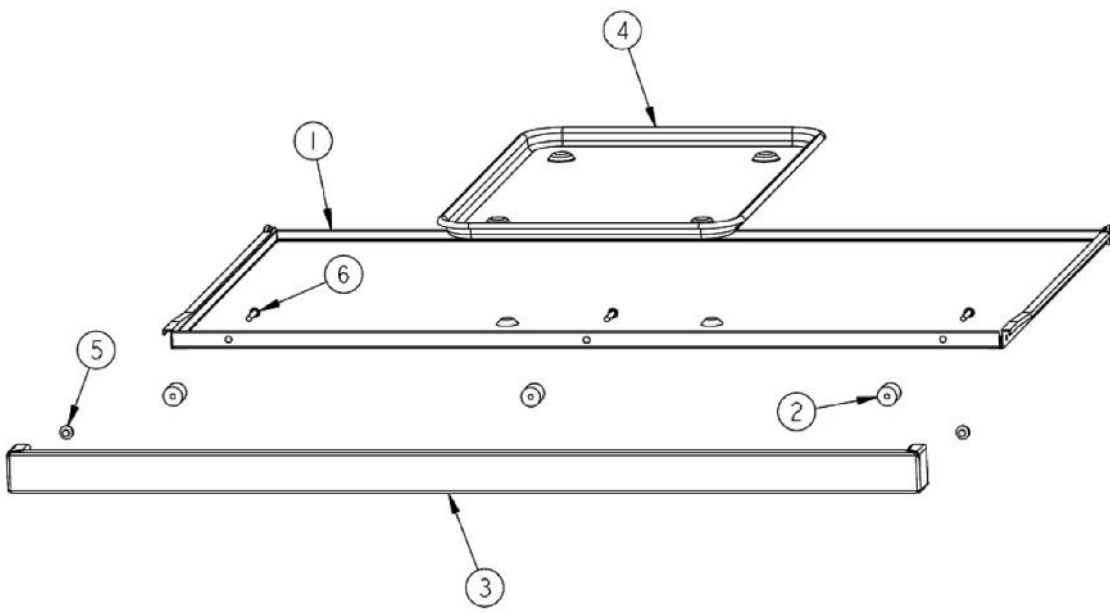
Ref #	Part Number	Qty.	Description
1	G3009156		GRIDDLE ASSEMBLY
2	PA060054		SEALED GRATE XBKX
3	PA080083		D BURNER CAP XMATTE BLACKX
4	PB050063		BURNER HEAD (BEFORE 12/18/07)
	001386-000		BURNER HEAD (AFTER 12/18/07)
5	PA010100		VENTURI D (VDSC3074B)
6	PB050081		BURNER BASE ASSEMBLY (INCLUDES IGNITER) - BEFORE 12/18/07
	003322-040		SEALED BURNER BASE, TURNED FINISH (INCLUDES IGNITER) - AFTER 12/18/07
7	PD020032		SRW-8(A)X3/8PH.WFR HD 7/16DIAXNICL
8	A2007858		SIDE TRIM BRKT
9	B2007851		SIDE TRIM
	C9307851BR		SIDE TRIM XBRX
10	E9108438BK		MAIN TOP (VGRT4G/Q) XBKX
	E9108438WH		MAIN TOP (VGRT4G/Q) XWHX
11	003606-000		NO.6-32 SOCKET HEAD SCREW
	PB050081		BURNER BASE ASSEMBLY (INCLUDES IGNITER) - BEFORE 12/18/07
	003322-040		SEALED BURNER BASE, TURNED FINISH (INCLUDES IGNITER) - AFTER 12/18/07



Ref #	Part Number	Qty.	Description
1	A2007865		SEALED BURNER SUPPORT
2	PD020076		6-32 X 3/8 PHILL PAN MS
3	PD020010		10 X 3/8 GREEN GROUNDING SCREW
4	PE070128		SUPPLY CORD (VGRT/SC/SS/RC)
5	PD040005		SNAP BUSHING - 7/8
6	PB070034		INSULATION-TRS-10 1 X 20 X 3`
7	002152-000		SIDE PANEL, RH
8	A2006747		BURNER BOX SIDE RH (VDSC3074B)
9	PD020002		10 X 1/2 PH.TR.HD.SMS.
10	PK000008		DRIP TRAY GUIDE - RH
11	A1008487		SERVICE DISCONNECT BRACKET
12	00573-000		POWER JUMPER WIRE
13	PE070071		DISCONNECT BLOCK XALX 770027-1
14	PD030109		INSULATED CLAMP
15	PC040010		POP RIVET
16	PK000007		DRIP TRAY GUIDE - LH (VGRT)
17	A2006748		BURNER BOX SIDE LH (VDSC3074B)
18	002153-000		SIDE PANEL, LH
19	PD020032		SRW-8(A)X3/8PH.WFR HD 7/16DIAXNICL
20	PB020193		16 FLEX TUBING W/CONNECTORS
21	PB040194		SEALED RANGE ORIFICE (NAT)
			(BEFORE 12/18/07)
	001396-040		15K NG ORIFICE
			(AFTER 12/18/07)
	PB040217		L.P. ORIFICE
			(BEFORE 12/18/07)
	001396-044		13.5K LP ORIFICE
			(AFTER 12/18/07)
22	PB020192		10 FLEX TUBING W/CONNECTORS
23	PA080075		BODY BURNER D (VDSC3074BSS)
			(BEFORE 12/18/07)
	001394-042		15000 BTU NAT JETHOLDER
			(AFTER 12/18/07)
	001394-043		13500 BTU LP JETHOLDER
			(AFTER 12/18/07)
24	A2007860		REAR SHIELD IC367
25	PA050086		5/8 MALE FLARE FITTING

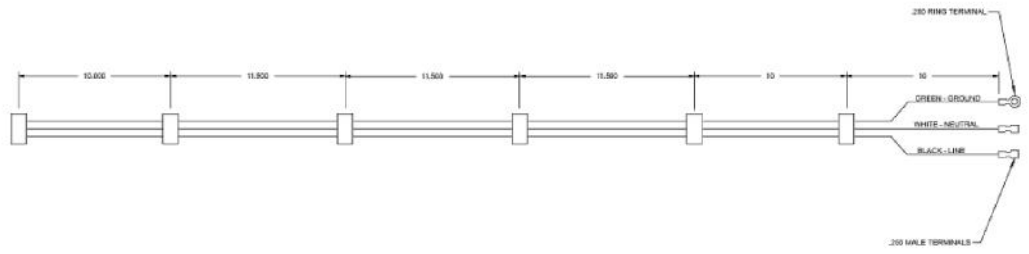


Ref #	Part Number	Qty.	Description
1	PB050074		SEALED GRIDDLE BURNER
2	PB040001		IGNITOR - (ALL RANGES)
3	PD020002		10 X 1/2 PH.TR.HD.SMS.
4	A2001300		GRIDDLE IGNITOR BRKT
5	A2009580		GRIDDLE BURNER BRACKET
6	A1007861		GRIDDLE VENTURI COVER IC36
7	A20010470		COMPONENT SHIELD IC487
8	000644-000		SINGLE GAS VALVE - LP
9	A2007867		VALVE BRACKET
10	PB030007		SHUT OFF VALVE
11	PB040192		3/8`` CC FERREL (DGCU)
	PB040213		3/8 COMPRESSION NUT (DGCU)
12	PB020116		TUBING - 10 FLEXIBLE 12 & 24
13	A2007862		GRIDDLE BOX (VGIC3674G)



Ref #	Part Number	Qty.	Description
1	G30010455		36 DRIP TAY ASSY
2	PD040028		BUSHING(.194ID/.750OD/.750LONG)
3	G30010696		DRIP TRAY HANDLE ASSY 36
	G93011459PVD		DRIP TRAY HANDLE ASSY 36 PVD
4	PB080061		GREASE PAN
5	PD040004		GROMMET BUMPER
6	PD020079		NO.10 X 1 1/4 PH. PAN HD. T(A) NYLOK

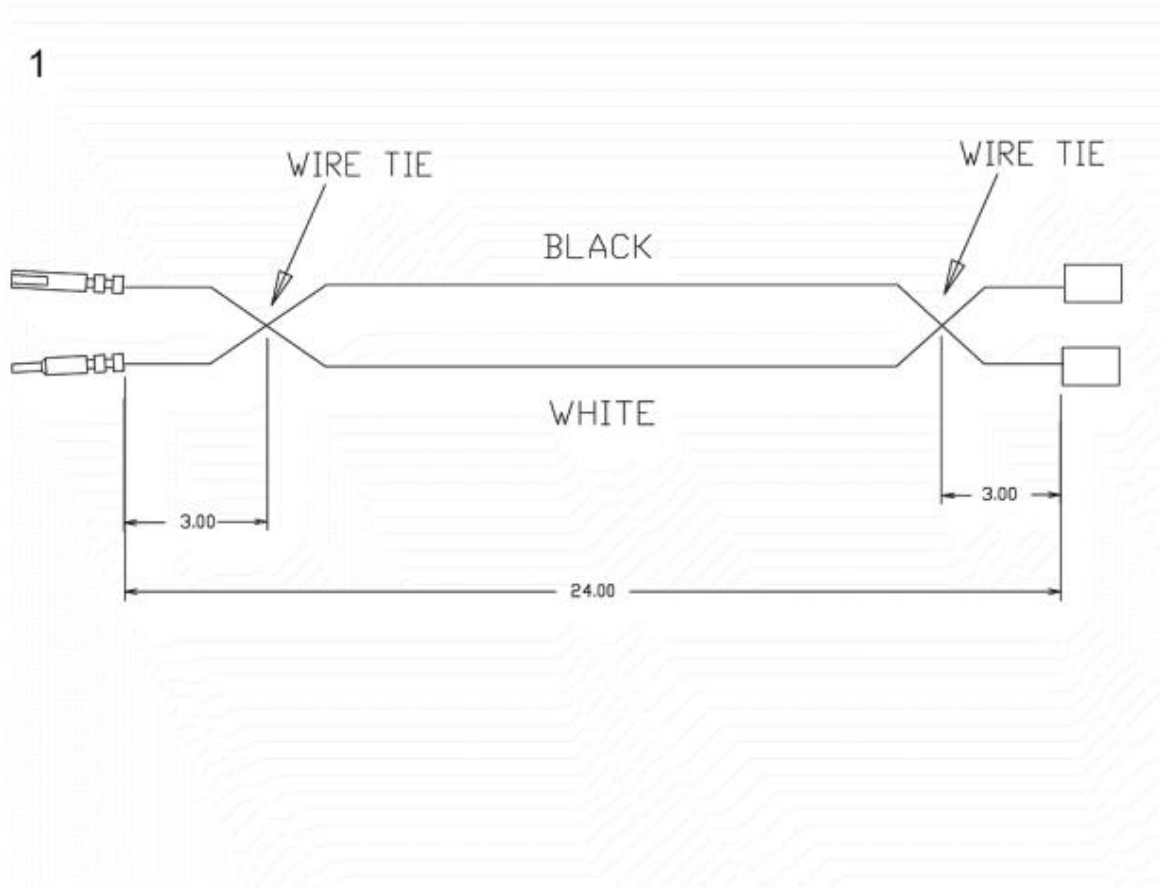
1



Ref #	Part Number	Qty.	Description
1	PE070890		IRIS HARNESS - 36

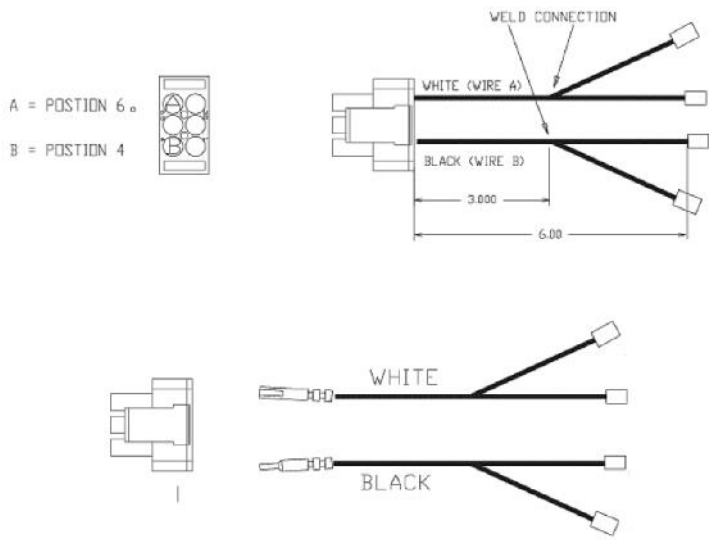


Ref #	Part Number	Qty.	Description
1	000647-000		IRIS IGNITOR WIRE, FRONT BURNER
2	000648-000		IRIS IGNITOR WIRE, BACK BURNER



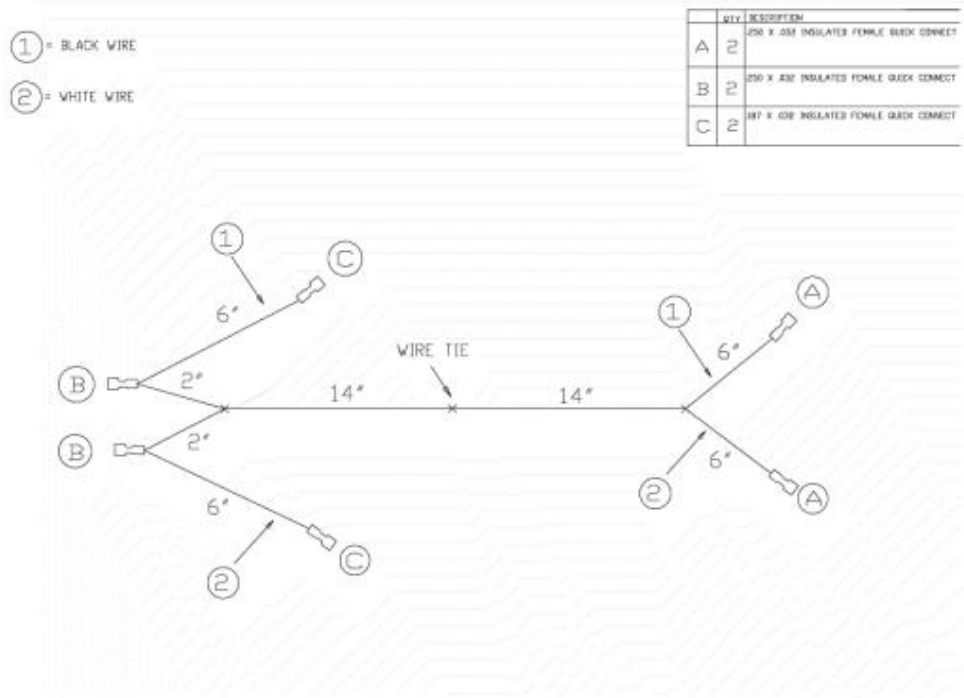
Ref #	Part Number	Qty.	Description
1	000837-000		VGRT SUPPLY CORD JUMPER (BEFORE 10/4/11)
NI	027347-000		SUPPLY CORD JUMPER (ON OR AFTER 10/4/11)

1



Ref #	Part Number	Qty.	Description
1	000878-000		IRIS POWER JUMPER W/GRIDDLE

1



Ref #	Part Number	Qty.	Description
1	000879-000		GRIDDLE HARNESS W/IRIS

*No Image
Available*

Ref #	Part Number	Qty.	Description
-------	-------------	------	-------------
