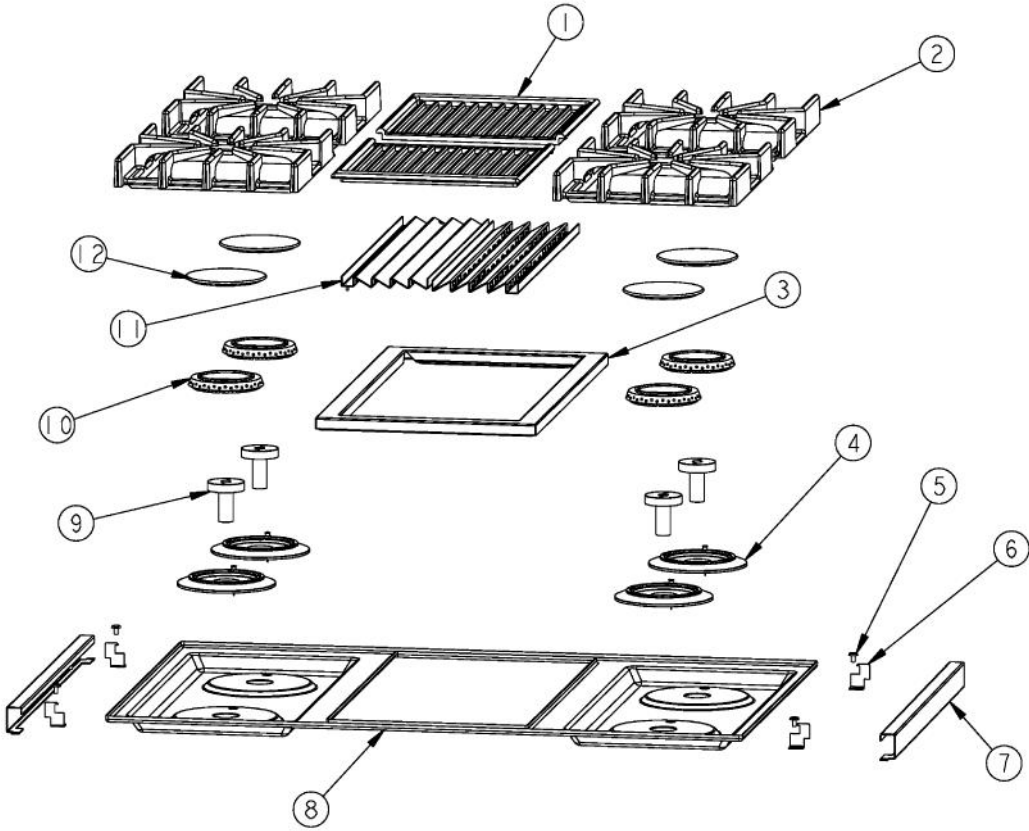
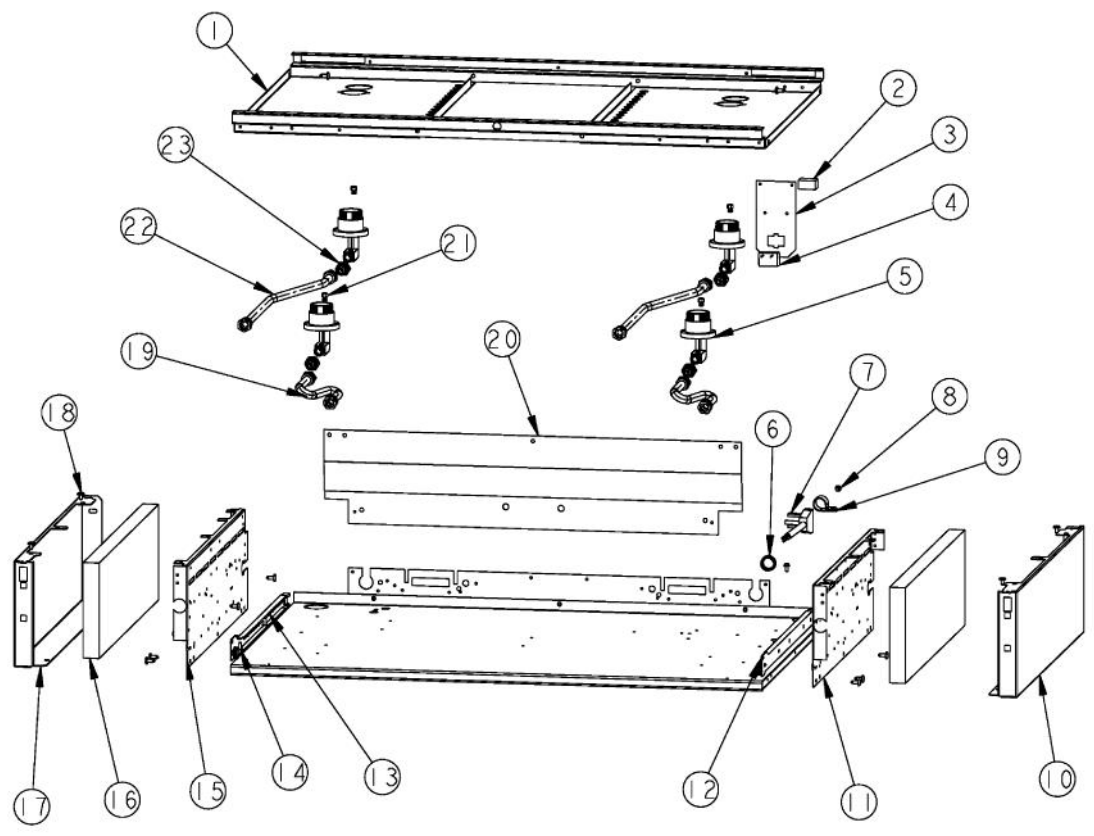


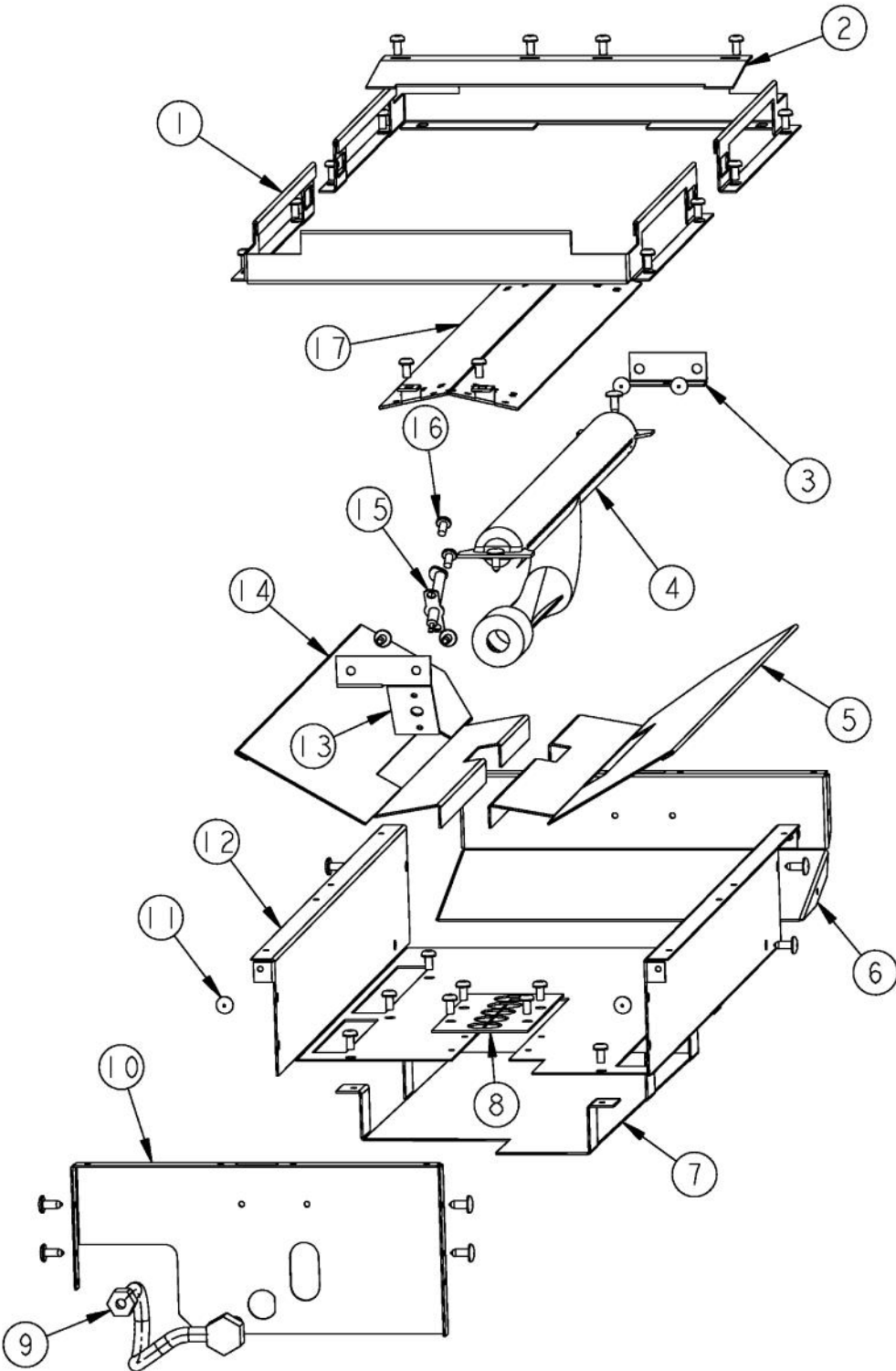
| Ref # | Part Number | Qty. | Description                                   |
|-------|-------------|------|---|
| 1     | G3009151    |      | 36 SEALED LANDING LEDGE ASSY                  |
| 2     | PA070001    |      | PRESSURE REGULATOR (NAT.)                     |
| 3     | PA010159    |      | SUB TO 003536-000 - RANGE GRILL VALVE         |
| 4     | PA020058    |      | IRIS SINGLE SPARK MODULE                      |
| 5     | PA010012    |      | ROPER PLUG                                    |
| 6     | PA010158    |      | SUB TO 003517-000 - SEALED BURNER FLARE VALVE |
| 7     | A1001138    |      | MANIFOLD BRKT                                 |
| 8     | PD020002    |      | 10 X 1/2 PH.TR.HD.SMS.                        |
| 9     | PD010012    |      | VALVE BOLT 1/4-20 UNC-2B 5/16 M.S.            |
| 10    | PD030006    |      | CAPPED WASHER PAL NUT                         |
| 11    | PD020032    |      | SRW-8(A)X3/8PH.WFR HD 7/16DIAXNICL            |
| 12    | PB010208    |      | BEZEL, CHROME PLATE                           |
|       | PB010209BR  |      | BEZEL - BR                                    |
| 13    | PD020067    |      | NO.6 X 3/8 PAN PHIL. TEK SS                   |
| 14    | PD020006    |      | NO.6-32 X 1/4 PH.PAN HD. T(F)                 |
| 15    | PE010142    |      | 3 LOGO XBKXXCHROME                            |
|       | PE010143    |      | 3 LOGO BK/BR                                  |
|       | PE010144    |      | 3 LOGO XWHXCHROME                             |
|       | PE010145    |      | LOGO - WH / BR                                |
| 16    | PA010122BK  |      | TOP GRILL KNOB BK                             |
|       | PA010123WH  |      | TOP GRILL KNOB WH                             |
| 17    | PB010206BK  |      | TOP BURNER KNOB BK                            |
|       | PB010207WH  |      | TOP BURNER KNOB WH                            |
| 18    | PD030005    |      | SELF RETAINING NUT                            |
| 19    | B9202384    |      | CTRL PAN- (VGRT360-4Q )XSLK SCRX              |
|       | C9292384    |      | CONTROL PANEL - VB                            |
|       | C9292384    |      | CONTROL PANEL - VB                            |
|       | C9292384    |      | CONTROL PANEL - VB                            |
|       | C9292384    |      | CONTROL PANEL - VB                            |
|       | C9292384    |      | CONTROL PANEL - VB                            |
|       | C9292384    |      | CONTROL PANEL - VB                            |
|       | C9292384    |      | CONTROL PANEL - VB                            |
|       | C9292384    |      | CONTROL PANEL - VB                            |
|       | C9292384    |      | CONTROL PANEL - VB                            |
|       | C9292384    |      | CONTROL PANEL - VB                            |
|       | C9292384    |      | CONTROL PANEL - VB                            |
|       | C9292384    |      | CONTROL PANEL - VB                            |
|       | C9292384    |      | CONTROL PANEL - VB                            |
| 20    | PA050114    |      | MANIFOLD<br>10-24 SELF RETAINING NUT          |



| Ref # | Part Number | Qty. | Description  |
|-------|-------------|------|--|
| 1     | PA060058    |      | GRILL GRATE - MATT XBKX RE PA060028  |
| 2     | PA060054    |      | SEALED GRATE XBKX  |
| 3     | G9109808BK  |      | GRILL GRATE SUPPORT - BK   |
|       | G9109808WH  |      | GRILL SUPPORT ASSY XWHX  |
| 4     | PB050081    |      | BURNER BASE ASSEMBLY   |
|       | 003322-040  |      | (INCLUDES IGNITER) - BEFORE 12/18/07<br>SEALED BURNER BASE, TURNED FINISH<br>(INCLUDES IGNITER) - AFTER 12/18/07 |
| 5     | PD020033    |      | SRW-NO.10-24X1/2T(23)PH.WFR HD (NKL)   |
| 6     | A2007858    |      | SIDE TRIM BRKT   |
| 7     | B2007851    |      | SIDE TRIM  |
|       | C9307851BR  |      | SIDE TRIM XBRX   |
| 8     | E9108438BK  |      | MAIN TOP (VGRT4G/Q) XBKX   |
|       | E9108438WH  |      | MAIN TOP (VGRT4G/Q) XWHX   |
| 9     | PA010100    |      | VENTURI D (VDSC3074B)<br>(BEFORE 12/18/07)   |
| 10    | PB050063    |      | BURNER HEAD<br>(BEFORE 12/18/07)   |
|       | 001386-000  |      | BURNER HEAD<br>(AFTER 12/18/07)  |
| 11    | E9101130BK  |      | GRILL SMOKE GENERATOR  |
| 12    | PA080083    |      | D BURNER CAP XMATTE BLACKX   |
| 13    | 003606-000  |      | NO.6-32 SOCKET HEAD SCREW  |

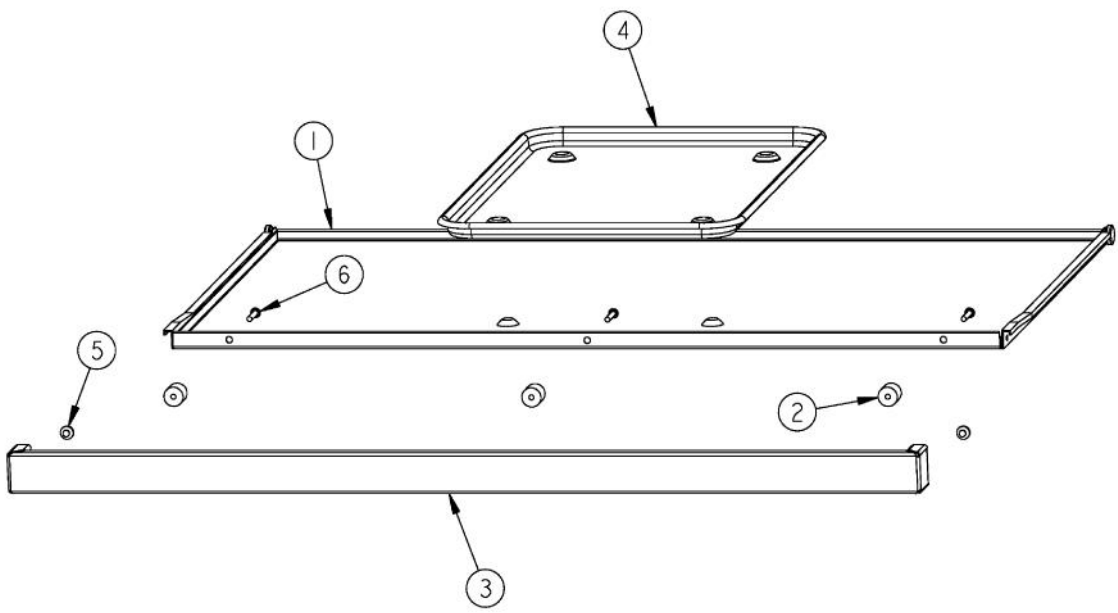


| Ref # | Part Number | Qty. | Description                                      |
|-------|-------------|------|--|
| 1     | A2007865    |      | SEALED BURNER SUPPORT                            |
| 2     | PE070071    |      | DISCONNECT BLOCK XALX 770027-1                   |
| 3     | A1001146    |      | PLUG BRACKET                                     |
| 4     | 000573-000  |      | POWER JUMPER WIRE                                |
| 5     | PA080075    |      | BODY BURNER D (VDSC3074BSS)<br>(BEFORE 12/18/07) |
|       | 001394-042  |      | 15000 BTU NAT JETHOLDER<br>(AFTER 12/18/07)      |
|       | 001394-043  |      | 13500 BTU LP JETHOLDER<br>(AFTER 12/18/07)       |
| 6     | PD040005    |      | SNAP BUSHING - 7/8                               |
| 7     | G4007440    |      | SUPPLY CORD ASSY                                 |
| 8     | PD020010    |      | 10 X 3/8 GREEN GROUNDING SCREW                   |
| 9     | PD030109    |      | INSULATED CLAMP                                  |
| 10    | 002152-000  |      | SIDE PANEL, RH                                   |
| 11    | A2006747    |      | BURNER BOX SIDE RH (VDSC3074B)                   |
| 12    | PK000008    |      | DRIP TRAY GUIDE - RH                             |
| 13    | PK000007    |      | DRIP TRAY GUIDE - LH (VGRT)                      |
| 14    | PC040010    |      | POP RIVET  |
| 15    | A2006748    |      | BURNER BOX SIDE LH (VDSC3074B)                   |
| 16    | PB070034    |      | INSULATION-TRS-10 1 X 20 X 3'                    |
| 17    | 002153-000  |      | SIDE PANEL, LH                                   |
| 18    | PD020032    |      | SRW-8(A)X3/8PH.WFR HD 7/16DIAXNICL               |
| 19    | PB020192    |      | 10 FLEX TUBING W/CONNECTORS                      |
| 20    | A2007860    |      | REAR SHIELD IC367                                |
| 21    | PB040194    |      | SEALED RANGE ORIFICE (NAT)<br>(BEFORE 12/18/07)  |
| 21    | 001396-040  |      | 15K NG ORIFICE<br>(AFTER 12/18/07)               |
| 21    | PB040217    |      | L.P. ORIFICE<br>(BEFORE 12/18/07)                |
| 21    | 001396-044  |      | 13.5K LP ORIFICE<br>(AFTER 12/18/07)             |
| 22    | PB020193    |      | 16 FLEX TUBING W/CONNECTORS                      |
| 23    | PA050086    |      | 5/8 MALE FLARE FITTING                           |



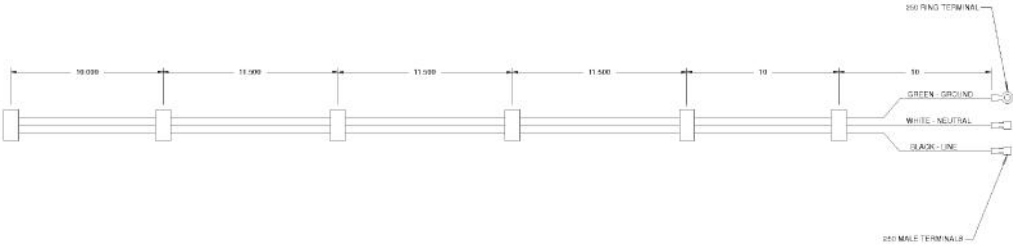
| Ref # | Part Number | Qty. | Description                         |
|-------|-------------|------|-------------------------------------|
| 1     | A2007871    |      | SHIELD GRATE BRACKET                |
| 2     | A20010162   |      | SHIELD BRACE                        |
| 3     | A2001132    |      | REAR GRILL BURNER BRKT (VGRT)       |
| 4     | PB050077    |      | GRILL BURNER                        |
| 5     | B20010163   |      | HEAT DEFLECTOR                      |
| 6     | A2001855    |      | GRILL BACK - (VGRC605)              |
| 7     | A2001863    |      | GRILL BTM SHIELD (VGRC605)          |
| 8     | A1007861    |      | GRIDDLE VENTURI COVER IC36          |
| 9     | PB020025    |      | TUBING-GRILL (REVISED) REP PB020021 |
| 10    | A2001631    |      | GRILL BOX FRONT (VGRC)              |
| 11    | PD020002    |      | 10 X 1/2 PH.TR.HD.SMS.              |
| 12    | A2007863    |      | GRILL BOX                           |
| 13    | A2001633    |      | GRILL FRONT SPARKER BRKT (VGRC)     |
| 14    | B2009846    |      | HEAT DEFLECTOR                      |
| 15    | PA020028    |      | SPARK IGNITER                       |
| 16    | PD020004    |      | 10X3/8PH.HD.TYPE 25 REPL PD040125   |
| 17    | G30012657   |      | FLAME SHIELD ASSEMBLY               |



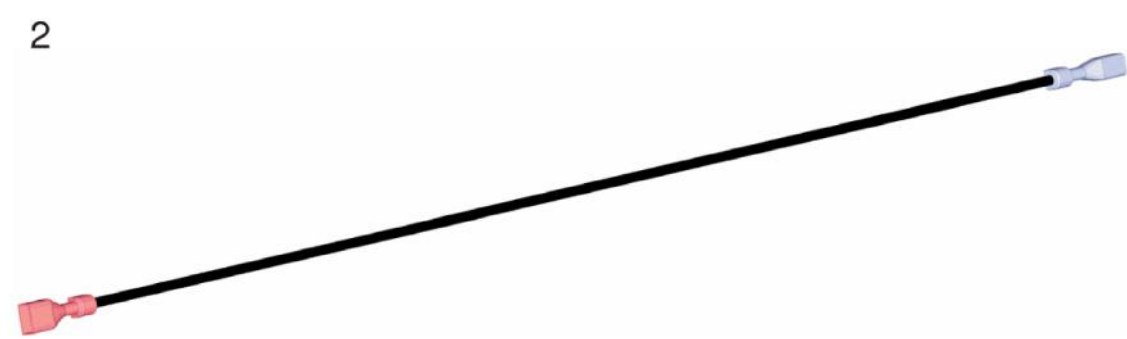
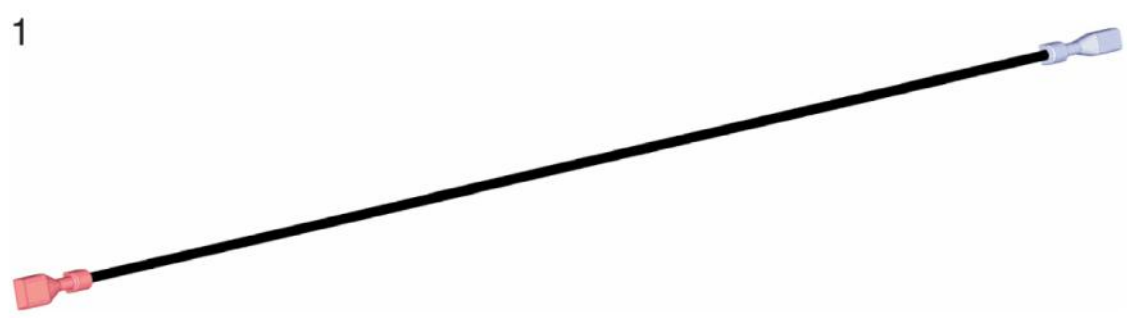


| Ref # | Part Number  | Qty. | Description                          |
|-------|--------------|------|--------------------------------------|
| 1     | G30010455    |      | 36 DRIP TAY ASSY                     |
| 2     | PD040028     |      | BUSHING(.194ID/.750OD/.750LONG)      |
| 3     | G30010696    |      | DRIP TRAY HANDLE ASSY 36             |
|       | G93011459PVD |      | DRIP TRAY HANDLE ASSY 36 PVD         |
| 4     | PB080061     |      | GREASE PAN                           |
| 5     | PD040004     |      | GROMMET BUMPER                       |
| 6     | PD020079     |      | NO.10 X 1 1/4 PH. PAN HD. T(A) NYLOK |

1

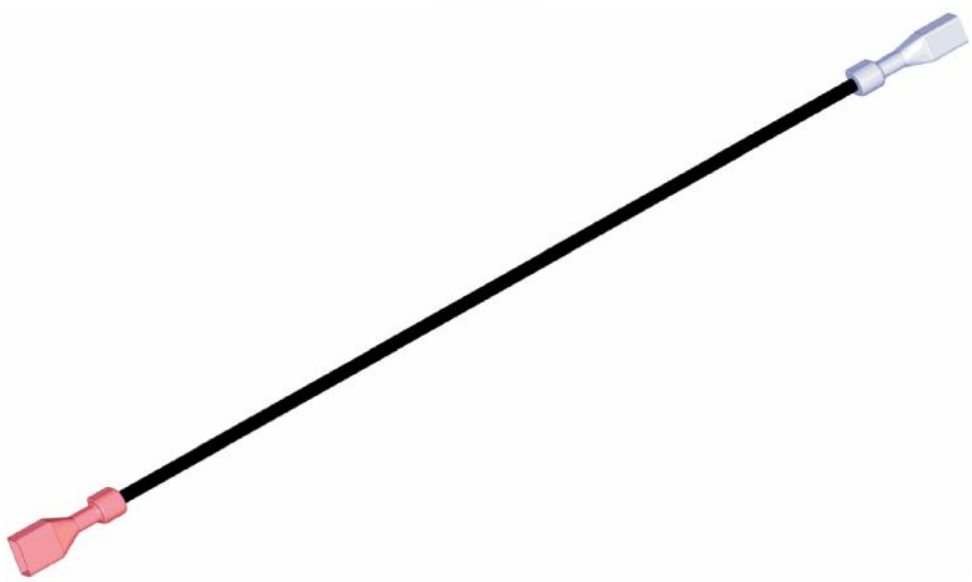


| Ref # | Part Number | Qty. | Description       |
|-------|-------------|------|-------------------|
| 1     | PE070890    |      | IRIS HARNESS - 36 |



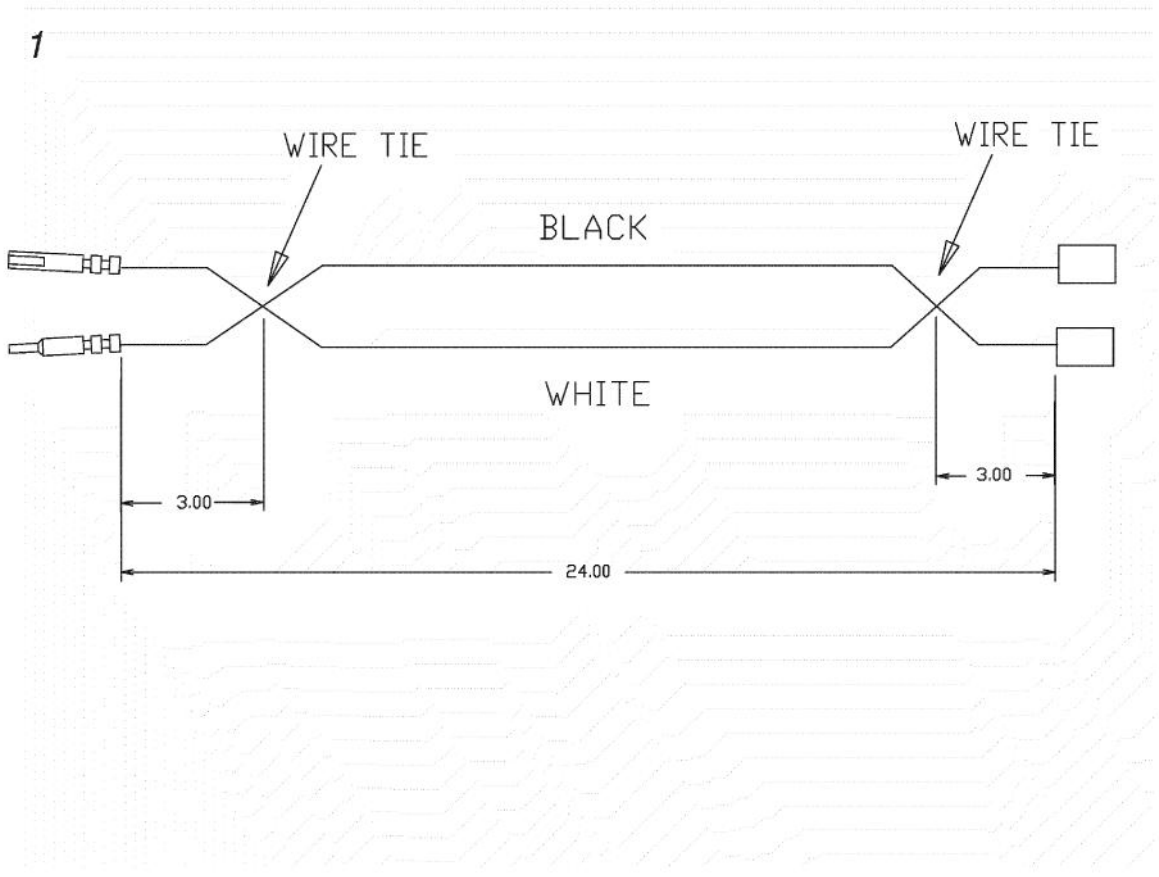
| Ref # | Part Number | Qty. | Description                     |
|-------|-------------|------|---------------------------------|
| 1     | 000647-000  |      | IRIS IGNITOR WIRE, FRONT BURNER |
| 2     | 000648-000  |      | IRIS IGNITOR WIRE, BACK BURNER  |

1



| Ref # | Part Number | Qty. | Description                     |
|-------|-------------|------|---------------------------------|
| 1     | 000647-000  |      | IRIS IGNITOR WIRE, FRONT BURNER |





| Ref # | Part Number | Qty. | Description                                 |
|-------|-------------|------|---|
| 1     | 000837-000  |      | VGRT SUPPLY CORD JUMPER<br>(BEFORE 10/4/11) |
| NI    | 027347-000  |      | SUPPLY CORD JUMPER<br>(ON OR AFTER 10/4/11) |

*No Image  
Available*

| Ref # | Part Number | Qty. | Description |
|-------|-------------|------|-------------|
|-------|-------------|------|-------------|

---