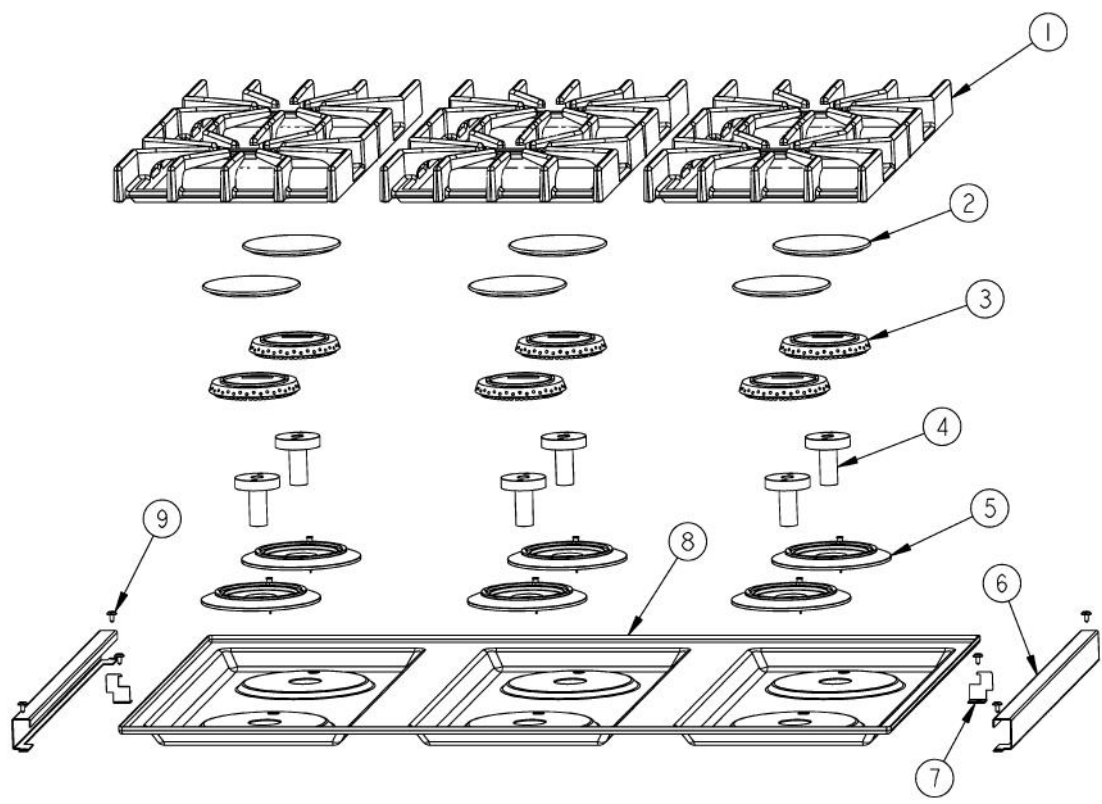
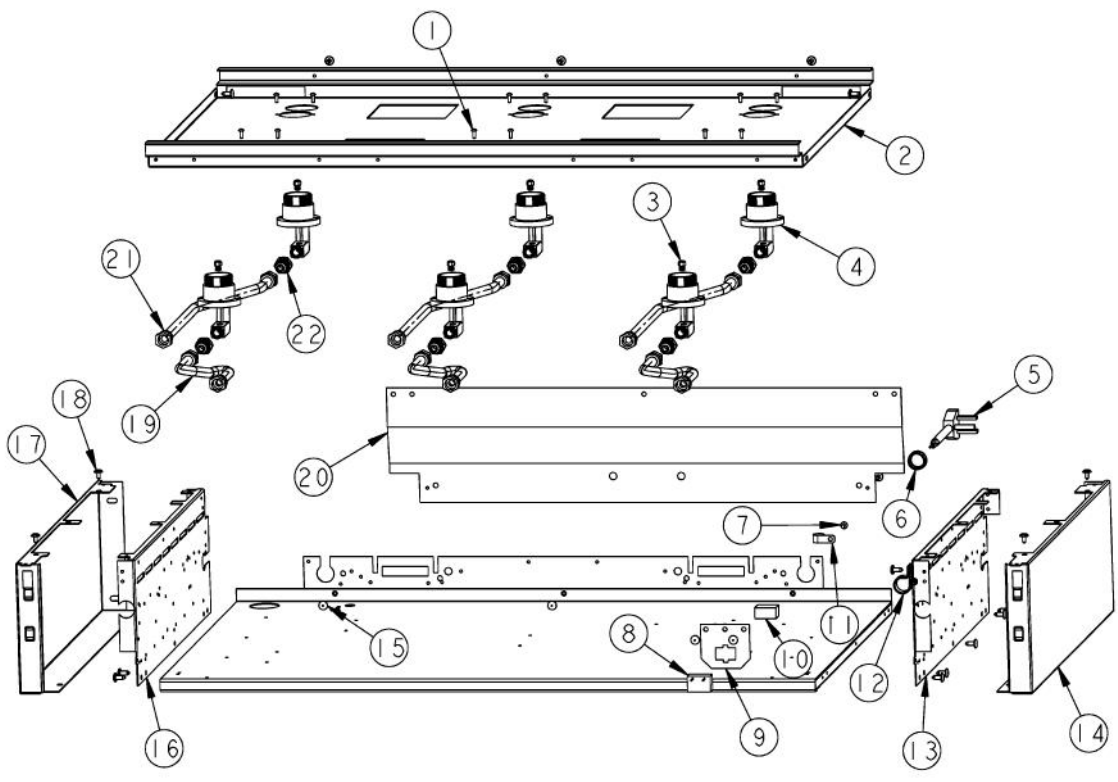


Ref #	Part Number	Qty.	Description
1	G3009151		36 SEALED LANDING LEDGE ASSY
2	PD030005		SELF RETAINING NUT
3	A1001138		MANIFOLD BRKT
4	PD010003		10-24 X 1/2 PH.TR.HD.SERD.M.S.
5	PA010012		ROPER PLUG
6	PA020058		IRIS SINGLE SPARK MODULE
7	PA010158		SUB TO 003517-000 - SEALED BURNER FLARE VALVE
8	PA070001		PRESSURE REGULATOR (NAT.)
9	PA050114		MANIFOLD
10	B9202383		CTRL PAN- (VGRT360-6B )XSLK SCR
	C9202383AL		CONTROL PANEL VGRT360-6B XALX SILK SCR
	C9202383BK		CTRL PAN- XBKX (VGRT360-6B )XSLK S
	C9202383BT		CONTROL PANEL VGRT360-6B XBTX SILK SCR
	C9202383BU		CONTROL PANEL VGRT360-6B XBUX SILK SCR
	C9202383CB		CONTROL PANEL VGRT360-6B XCBX SILK SCR
	C9202383EP		CONTROL PANEL VGRT360-6B XEPX SILK SCR
	C9202383FG		CONTROL PANEL - FG
	C9202383GG		CONTROL PANEL VGRT360-6B XGGX SILK SCR
	C9202383LE		CONTROL PANEL VGRT360-6B XLEX SILK SCR
	C9202383MJ		CONTROL PANEL VGRT360-6B XMJX SILK SCR
	C9202383SG		CONTROL PANEL VGRT360-6B XSGX SILK SCR
	C9202383VB		CONTROL PANEL VGRT360-6B XVBX SILK SCR
	C9202383WH		CTRL PAN- XWHX (VGRT360-6B )XSLK
11	PD020002		10 X 1/2 PH.TR.HD.SMS.
12	A20011466		FALSE DRIP TRAY HANDLE BRKT. LH
13	PD030006		CAPPED WASHER PAL NUT
14	PD010012		VALVE BOLT 1/4-20 UNC-2B 5/16 M.S.
15	A20011467		FALSE DRIP TRAY HANDLE BRKT. RH
16	PD020032		SRW-8(A)X3/8PH.WFR HD 7/16DIAXNICL
17	B30011469		FALSE DRIP TRAY HANDLE (WELDED) 36
	G93011459PVD		DRIP TRAY HANDLE ASSY 36 PVD
18	PD020033		SRW-NO.10-24X1/2T(23)PH.WFR HD (NKL)
19	PB010208		BEZEL, CHROME PLATE
	PB010209		BEZEL BRASS
20	PD020067		NO.6 X 3/8 PAN PHIL. TEK SS
21	PB010206		VGSC,VGRC,VGRT TOP BURNER KNOB(BK)
	PB010207		VGSC,VGRC,VGRT TOP BURNER KNOB(WH)
22	PE010142		3 LOGO XBKXXCHROME
	PE010143		3 LOGO BK/BR
	PE010144		3 LOGO XWHXCHROME
	PE010145		LOGO - WH / BR

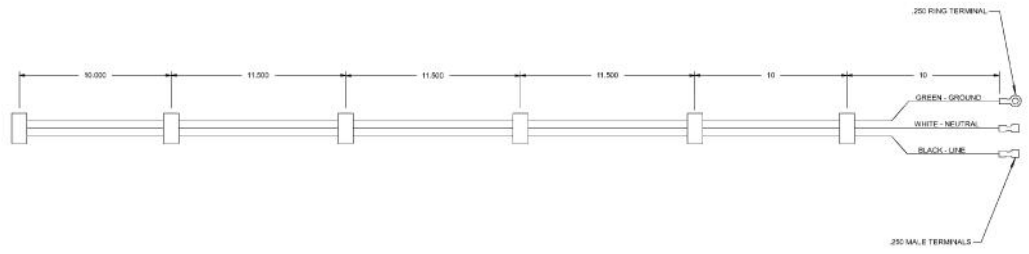


Ref #	Part Number	Qty.	Description
1	PA060054		SEALED GRATE XBKX
2	PA080083		D BURNER CAP XMATTE BLACKX
3	PB050063		BURNER HEAD (BEFORE 12/18/07)
	001386-000		BURNER HEAD (AFTER 12/18/07)
4	PA010100		VENTURI D (VDSC3074B) (BEFORE 12/18/07)
5	PB050081		BURNER BASE ASSEMBLY (INCLUDES IGNITER) - BEFORE 12/18/07
	003322-040		SEALED BURNER BASE, TURNED FINISH (INCLUDES IGNITER) - AFTER 12/18/07
6	B2007851		SIDE TRIM
	C9307851BR		SIDE TRIM XBRX
7	A2007858		SIDE TRIM BRKT
8	E9108439BK		MAIN TOP (VGRT3626B) XBKX
	E9108439WH		MAIN TOP (VGRT3626B) XWHX
9	PD020032		SRW-8(A)X3/8PH.WFR HD 7/16DIAXNICL
NI	003606-000		NO.6-32 SOCKET HEAD SCREW (AFTER 12/18/07)



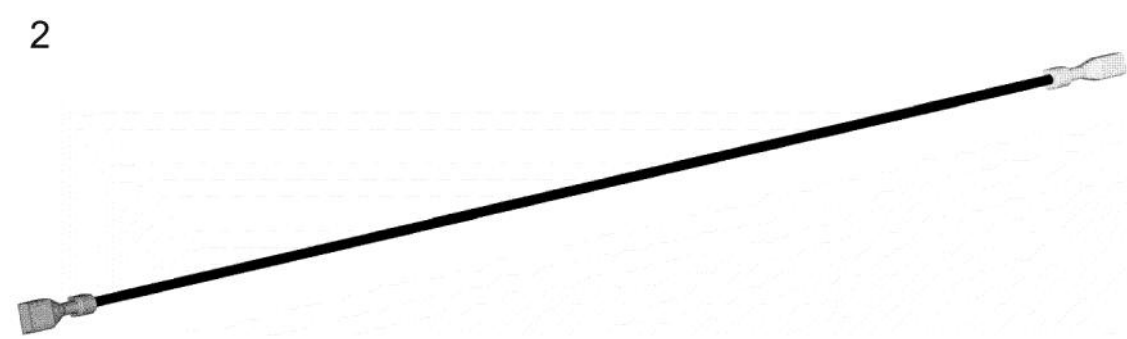
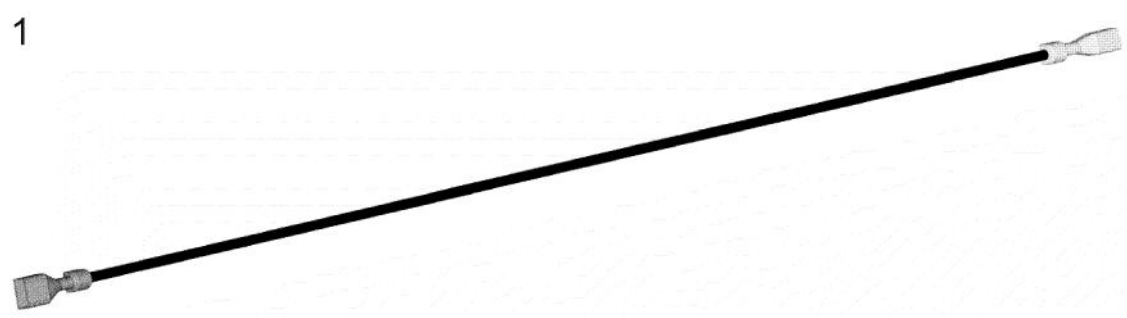
Ref #	Part Number	Qty.	Description
1	PD020076		6-32 X 3/8 PHILL PAN MS
2	A2007859		6B BURNER SUPPORT (VGIC367)
3	PB040194		SEALED RANGE ORIFICE (NAT) (BEFORE 12/18/07)
	001396-000		NATURAL GAS ORIFICE (AFTER 12/18/07)
	PB040217		L.P. ORIFICE (BEFORE 12/18/07)
	005990-000		1.10 MM LP BTU ORIFICE (AFTER 12/18/07)
4	PA080075		BODY BURNER D (VDSC3074BSS) (BEFORE 12/18/07)
	001394-042		15000 BTU NAT JETHOLDER (AFTER 12/18/07)
	001394-043		13500 BTU LP JETHOLDER (AFTER 12/18/07)
5	PE070128		SUPPLY CORD (VGRT/SC/SS/RC)
6	PD040005		SNAP BUSHING - 7/8
7	PD020010		10 X 3/8 GREEN GROUNDING SCREW
8	000573-000		POWER JUMPER WIRE
9	A1008487		SERVICE DISCONNECT BRACKET
10	PE070071		DISCONNECT BLOCK XALX 770027-1
11	PD030148		CLAMP CABLE ALUMINUM .500 DIA. (AL-8 CLAMP)
12	PD030109		INSULATED CLAMP
13	A2006747		BURNER BOX SIDE RH (VDSC3074B)
14	B2007856		RT SIDE PANEL
15	PD020002		10 X 1/2 PH.TR.HD.SMS.
16	A2006748		BURNER BOX SIDE LH (VDSC3074B)
17	B2007857		LFT SIDE PANEL
18	PD020032		SRW-8(A)X3/8PH.WFR HD 7/16DIAXNICL
19	PB020192		10 FLEX TUBING W/CONNECTORS
20	A2007860		REAR SHIELD IC367
21	PB020193		16 FLEX TUBING W/CONNECTORS
22	PA050086		5/8 MALE FLARE FITTING

1

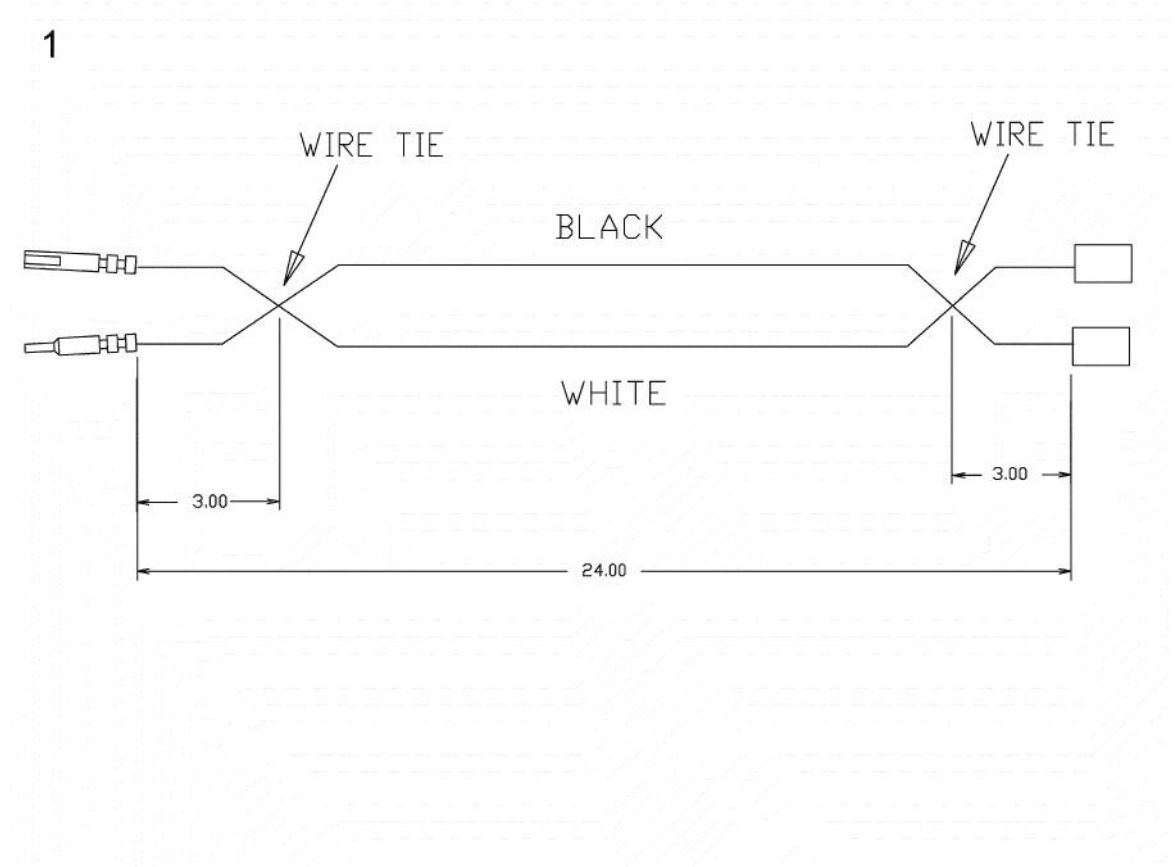


Ref #	Part Number	Qty.	Description
1	PE070890		IRIS HARNESS - 36





Ref #	Part Number	Qty.	Description
1	000647-000		IRIS IGNITOR WIRE, FRONT BURNER
2	000648-000		IRIS IGNITOR WIRE, BACK BURNER



Ref #	Part Number	Qty.	Description
1	000837-000		VGRT SUPPLY CORD JUMPER