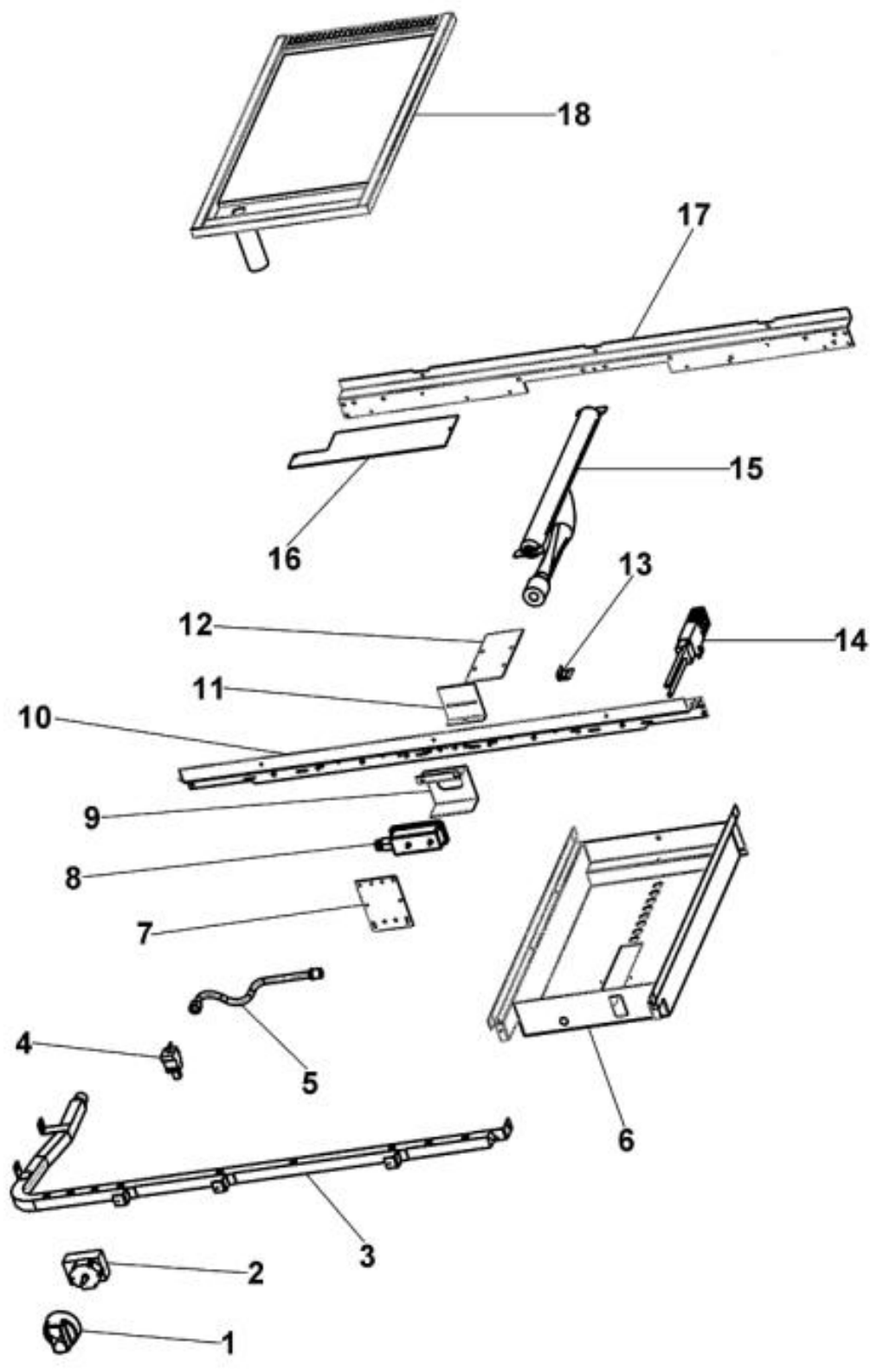


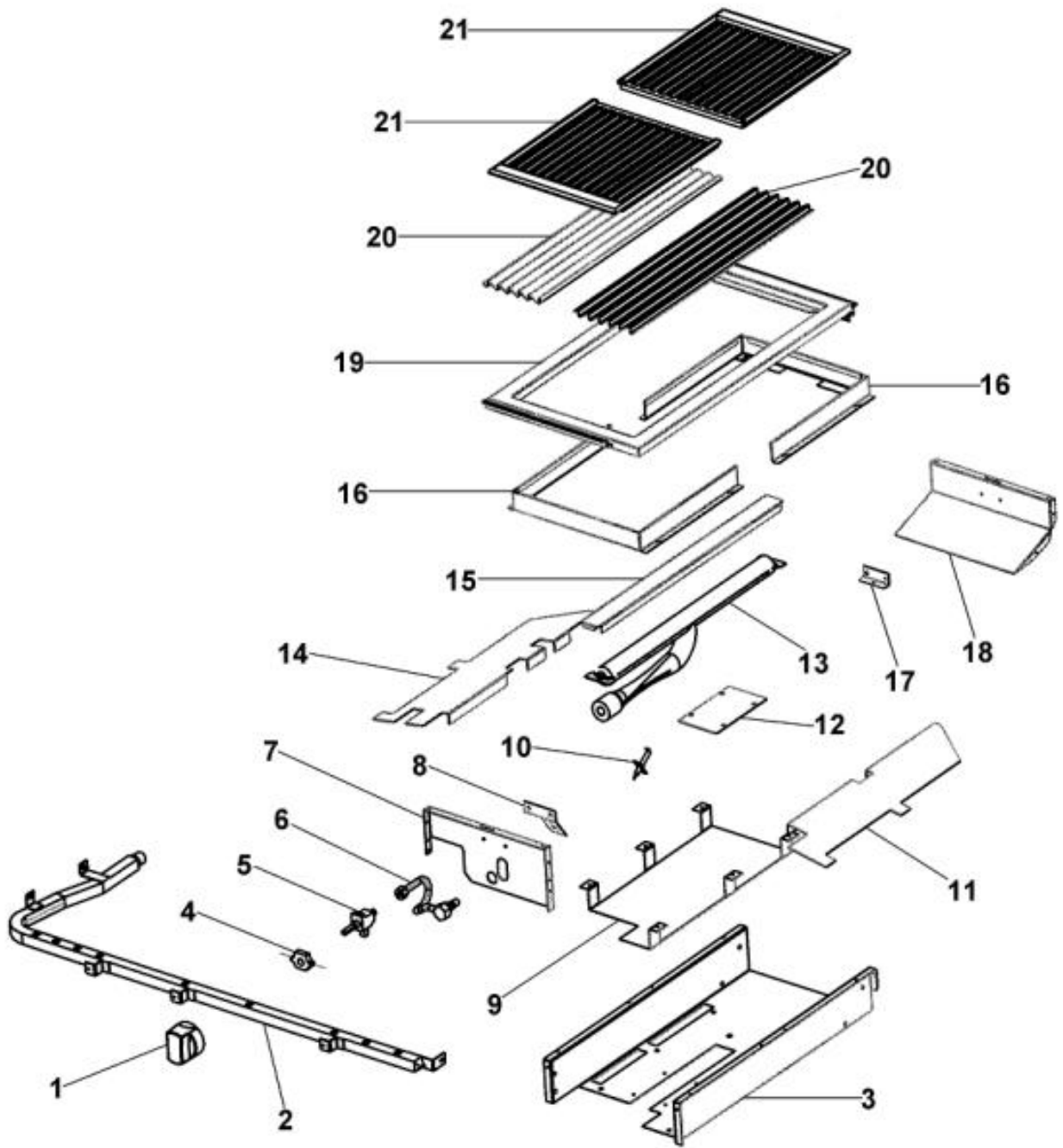
Ref #	Part Number	Qty.	Description
1	PA060054		SEALED GRATE XBKX
	PA060062		SEALED GRATE GRAY
2	PA080045		BURNER CAP - BK?
	PA080086		D BURNER CAP XMATTE GRAYX
3	PB050063		BURNER HEAD
4	PB040264		GLAZED ELECTRODE REPLACED BY PB050081
5	N/A		HEAT SHIELD - MUST ORDER ITEM NO. 11
6	PB050062		BURNER BASE
7	PB070124		GASKET (VDSC3074B) REPLACED BY PB050081
8	G3209546		36 TOP ASSY. VDSC3676B (BEFORE 8/5/03)
	G3209546AL		MAIN TOP ASSY. (6B) - AL (BEFORE 8/5/03) (BEFORE 8/5/03)
	G3209546BT		MAIN TOP ASSY. (6B) - BT (BEFORE 8/5/03) (BEFORE 8/5/03)
	G3209546CB		MAIN TOP ASSY. (6B) - CB (BEFORE 8/5/03) (BEFORE 8/5/03)
	G3209546EP		MAIN TOP ASSY. (6B) - EP (BEFORE 8/5/03) (BEFORE 8/5/03)
	G3209546FG		MAIN TOP ASSY. (6B) - FG (BEFORE 8/5/03) (BEFORE 8/5/03)
	G3209546GG		MAIN TOP ASSY. (6B) - GG (BEFORE 8/5/03) (BEFORE 8/5/03)
	G3209546LE		MAIN TOP ASSY. (6B) - LE (BEFORE 8/5/03) (BEFORE 8/5/03)
	G3209546MJ		MAIN TOP ASSY. (6B) - MJ (BEFORE 8/5/03) (BEFORE 8/5/03)
	G3209546SG		MAIN TOP ASSY. (6B) - SG (BEFORE 8/5/03) (BEFORE 8/5/03)
	G3209546VB		MAIN TOP ASSY. (6B) - VB (BEFORE 8/5/03) (BEFORE 8/5/03)
	G3209546WH		36 TOP ASSY (6B) (BEFORE 8/5/03)
	E9108439AL		MAIN TOP ASSY. (6B) - AL (AFTER 8/5/03) (AFTER 8/5/03)
	E9108439BK		MAIN TOP (VGRT3626B) XBKX (AFTER 8/5/03)
	E9108439BT		MAIN TOP ASSY. (6B) - BT (AFTER 8/5/03) (AFTER 8/5/03)
	E9108439CB		MAIN TOP ASSY. (6B) - CB (AFTER 8/5/03) (AFTER 8/5/03)
	E9108439EP		MAIN TOP ASSY. (6B) - EP (AFTER 8/5/03) (AFTER 8/5/03)
	E9108439FG		MAIN TOP ASSY. (6B) - FG (AFTER 8/5/03) (AFTER 8/5/03)
	E9108439GG		MAIN TOP ASSY. (6B) - GG (AFTER 8/5/03) (AFTER 8/5/03)
	E9108439LE		MAIN TOP (VGRT3626B) XLEX (AFTER 8/5/03)
	E9108439MJ		MAIN TOP ASSY. (6B) - MJ (AFTER 8/5/03) (AFTER 8/5/03)
	E9108439SG		MAIN TOP ASSY. (6B) - SG (AFTER 8/5/03) (AFTER 8/5/03)
	E9108439VB		MAIN TOP ASSY. (6B) - VB (AFTER 8/5/03) (AFTER 8/5/03)
	E9108439WH		MAIN TOP (VGRT3626B) XWHX (AFTER 8/5/03)
	G3209547		36 TOP ASSY (4G & 4Q) (BEFORE 8/5/03)
	G3209547AL		MAIN TOP ASSY. (4G/4Q) - AL (BEFORE 8/5/03)

Ref #	Part Number	Qty.	Description
	G3209547AL		MAIN TOP ASSY. (4G/4Q) - AL (BEFORE 8/5/03) (BEFORE 8/5/03)
	G3209547BT		MAIN TOP ASSY. (4G/4Q) - BT (BEFORE 8/5/03) (BEFORE 8/5/03)
	G3209547CB		MAIN TOP ASSY. (4G/4Q) - CB (BEFORE 8/5/03) (BEFORE 8/5/03)
	G3209547EP		MAIN TOP ASSY. (4G/4Q) - EP (BEFORE 8/5/03) (BEFORE 8/5/03)
	G3209547FG		MAIN TOP ASSY. (4G/4Q) - FG (BEFORE 8/5/03) (BEFORE 8/5/03)
	G3209547GG		MAIN TOP ASSY. (4G/4Q) - GG (BEFORE 8/5/03) (BEFORE 8/5/03)
	G3209547LE		MAIN TOP ASSY. (4G/4Q) - LE (BEFORE 8/5/03) (BEFORE 8/5/03)
	G3209547MJ		MAIN TOP ASSY. (4G/4Q) - MJ (BEFORE 8/5/03) (BEFORE 8/5/03)
	G3209547SG		MAIN TOP ASSY. (4G/4Q) - SG (BEFORE 8/5/03) (BEFORE 8/5/03)
	G3209547VB		MAIN TOP ASSY. (4G/4Q) - VB (BEFORE 8/5/03) (BEFORE 8/5/03)
	G3209547WH		36 TOP ASSY (4G & 4Q) (BEFORE 8/5/03)
	E9108438AL		MAIN TOP ASSY. (4G/4Q) - BK (AFTER 8/5/03) (AFTER 8/5/03)
	E9108438BK		MAIN TOP (VGRT4G/Q) XBKX (AFTER 8/5/03)
	E9108438BT		MAIN TOP ASSY. (4G/4Q) - BT (AFTER 8/5/03) (AFTER 8/5/03)
	E9108438CB		MAIN TOP ASSY. (4G/4Q) - CB (AFTER 8/5/03) (AFTER 8/5/03)
	E9108438EP		MAIN TOP ASSY. (4G/4Q) - EP (AFTER 8/5/03) (AFTER 8/5/03)
	E9108438FG		MAIN TOP ASSY. (4G/4Q) - FG (AFTER 8/5/03) (AFTER 8/5/03)
	E9108438GG		MAIN TOP ASSY. (4G/4Q) - GG (AFTER 8/5/03) (AFTER 8/5/03)
	E9108438LE		MAIN TOP ASSY. (4G/4Q) - LE (AFTER 8/5/03) (AFTER 8/5/03)
	E9108438MJ		MAIN TOP ASSY. (4G/4Q) - MJ (AFTER 8/5/03) (AFTER 8/5/03)
	E9108438SG		MAIN TOP ASSY. (4G/4Q) - SG (AFTER 8/5/03) (AFTER 8/5/03)
	E9108438VB		MAIN TOP ASSY. (4G/4Q) - VB (AFTER 8/5/03) (AFTER 8/5/03)
	E9108438WH		MAIN TOP (VGRT4G/Q) XWHX (AFTER 8/5/03)
9	001394-042		15000 BTU NAT JETHOLDER
10	B2007856		RT SIDE PANEL
11	A2006747		BURNER BOX SIDE RH (VDSC3074B)
12	B2007851		SIDE TRIM
	C9307851BR		SIDE TRIM XBRX
13	A2006748		BURNER BOX SIDE LH (VDSC3074B)
14	B2007857		LFT SIDE PANEL
15	A2007855		SPARK MODULE BRKT
16	PA020048		INVENSYS 0+6 RE-IGNITION SPARK MODULE
	PA020047		INVENSYS 0+4 RE-IGNITION SPARK MODULE
17	PA050114		MANIFOLD
18	G50012679		SEALED BURNER VALVE KIT (BEFORE 09/22/04)
	PA010158		SUB TO 003517-000 - SEALED BURNER FLARE VALVE

Ref #	Part Number	Qty.	Description
	PA010158		SUB TO 003517-000 - SEALED BURNER FLARE VALVE (AFTER 09/22/04)
NI	PB040194		SEALED RANGE ORIFICE (NAT)
19	B9202383		CTRL PAN- (VGRT360-6B )XSLK SCRX
	C9202383BK		CTRL PAN- XBKX (VGRT360-6B )XSLK S
	C9202383WH		CTRL PAN- XWHX (VGRT360-6B )XSLK
	B9201583		CTRL PAN-(VGRT36-4G) XSLK SCRX
	C9201583BK		CTRL PAN - (VGRT360-4G )XSLK SCRX
	C9201583WH		CTRL PAN - (VGRT360-4G )XSLK SCRX
	B9202384		CTRL PAN- (VGRT360-4Q )XSLK SCRX
	C9202384BK		CTRL PAN- XBKX (VGRT360-4Q) XSLK
	C9202384WH		CTRL PAN- XWHX (VGRT360-4Q )XSLK
20	G3009151		36 SEALED LANDING LEDGE ASSY
21	B30011469		FALSE DRIP TRAY HANDLE (WELDED) 36
	G93011459PVD		DRIP TRAY HANDLE ASSY 36 PVD
	G3002582		DRIP TRAY HANDLE - 4G/4Q (SS)
	G9302583PVD		DRIP TRAY HANDLE - BR (4G / 4Q ONLY)
22	G3009719		DRIP TRAY 36 (4G/4Q ONLY)
23	PB020156		16` FLEX TUBING
24	PB020168		BURNER TUBING
25	PB010206		VGSC,VGRC,VGRT TOP BURNER KNOB(BK)
	PB010207		VGSC,VGRC,VGRT TOP BURNER KNOB(WH)
NI	PA020029		SWITCH SPACER
26	PA020015		SPARK IGNITION SWITCH (BEFORE 09/22/04)
	PA020045		IGNITOR SWITCH (AFTER 09/22/04)
NI	PE070070		DISCONNECT BLOCK XALX 770020-1
NI	PE070071		DISCONNECT BLOCK XALX 770027-1
NI	PE070128		SUPPLY CORD (VGRT/SC/SS/RC)
NI	PA070001		PRESSURE REGULATOR (NAT.)
27	PB010208		BEZEL, CHROME PLATE
	PB010209		BEZEL BRASS
28	PK000008		DRIP TRAY GUIDE - RH
29	PK000009		RUNNER, DRIP TRAY - LH (VGRT)
30	PB050081		BURNER BASE ASSEMBLY



Ref #	Part Number	Qty.	Description
1	PB010103		GRIDDLE KNOB N/S XBKX
	PB010104		GRIDDLE KNOB N/S XWHX
2	PB010035		THERMOSTAT BAKE
3	PA050114		MANIFOLD
4	PB030002		SUB TO 003862-000 - SHUTOFF VALVE (BEFORE 09/22/04)
	PB030007		SHUT OFF VALVE (AFTER 09/22/04)
5	PB020116		TUBING - 10 FLEXIBLE 12 & 24
6	A2007862		GRIDDLE BOX (VGIC3674G)
7	A1001198		THERMAL VALVE BRKT
8	PB010004		SINGLE SAFETY VALVE (NAT. GRIDDLE)
9	A2001630		GRIDDLE VALVE COVER (VGRC)
10	A2001105		FRONT SUPT (36)
11	A2009580		GRIDDLE BURNER BRACKET
12	A1001636		GRIDDLE VENTURI COVER
13	A2001300		GRIDDLE IGNITOR BRKT
14	PB040001		IGNITOR - (ALL RANGES)
15	PB050074		SEALED GRIDDLE BURNER
16	A1009565		HEAT SHIELD PLATE
17	A2001909		REAR BURNER SUPT-36(VGRT/RC)
18	G3009156		GRIDDLE ASSEMBLY



Ref #	Part Number	Qty.	Description
1	PA010039		TOP GRILL KNOBxBKX (VGRC) (N/STYLE
	PA010040		TOP GRILL KNOBXWHX (VGRC) (N/STYLE
2	PA050114		MANIFOLD
3	A2001852		GRILL BOX - (VGRC605)
4	PA020015		SPARK IGNITION SWITCH
			(BEFORE 09/22/04)
	PA020045		IGNITOR SWITCH
			(AFTER 09/22/04)
5	G50012680		CHAR-GRILL VALVE KIT
			(BEFORE 09/22/04)
	PA010159		SUB TO 003536-000 - RANGE GRILL VALVE
			(AFTER 09/22/04)
6	PB020025		TUBING-GRILL (REVISED) REP PB020021
7	A2001631		GRILL BOX FRONT (VGRC)
8	A2001633		GRILL FRONT SPARKER BRKT (VGRC)
9	A2001863		GRILL BTM SHIELD (VGRC605)
10	PA020014		SPARK IGNITOR
11	B2001857		GRILL HEAT DEFLECTOR-RH (VGRC60)
12	A1001862		GRILL VENTURI COVER (VGRC605)
13	PB050077		GRILL BURNER
14	B2001856		GRILL HEAT DEFLECTOR-LH (VGRC60)
15	B2009866		SEALED FLAME SHIELD
16	A2009809		SHIELD GRATE BRACKET
17	A2001132		REAR GRILL BURNER BRKT (VGRT)
18	A2001855		GRILL BACK - (VGRC605)
19	G9109811		GRILL SUPT ASSY XBKX
20	E9109810		FLAVOR GRID
21	PA060058		GRILL GRATE - MATT XBKX RE PA060028
	PA060059		GRILL GRATE -MATT XGRX RE PA060029