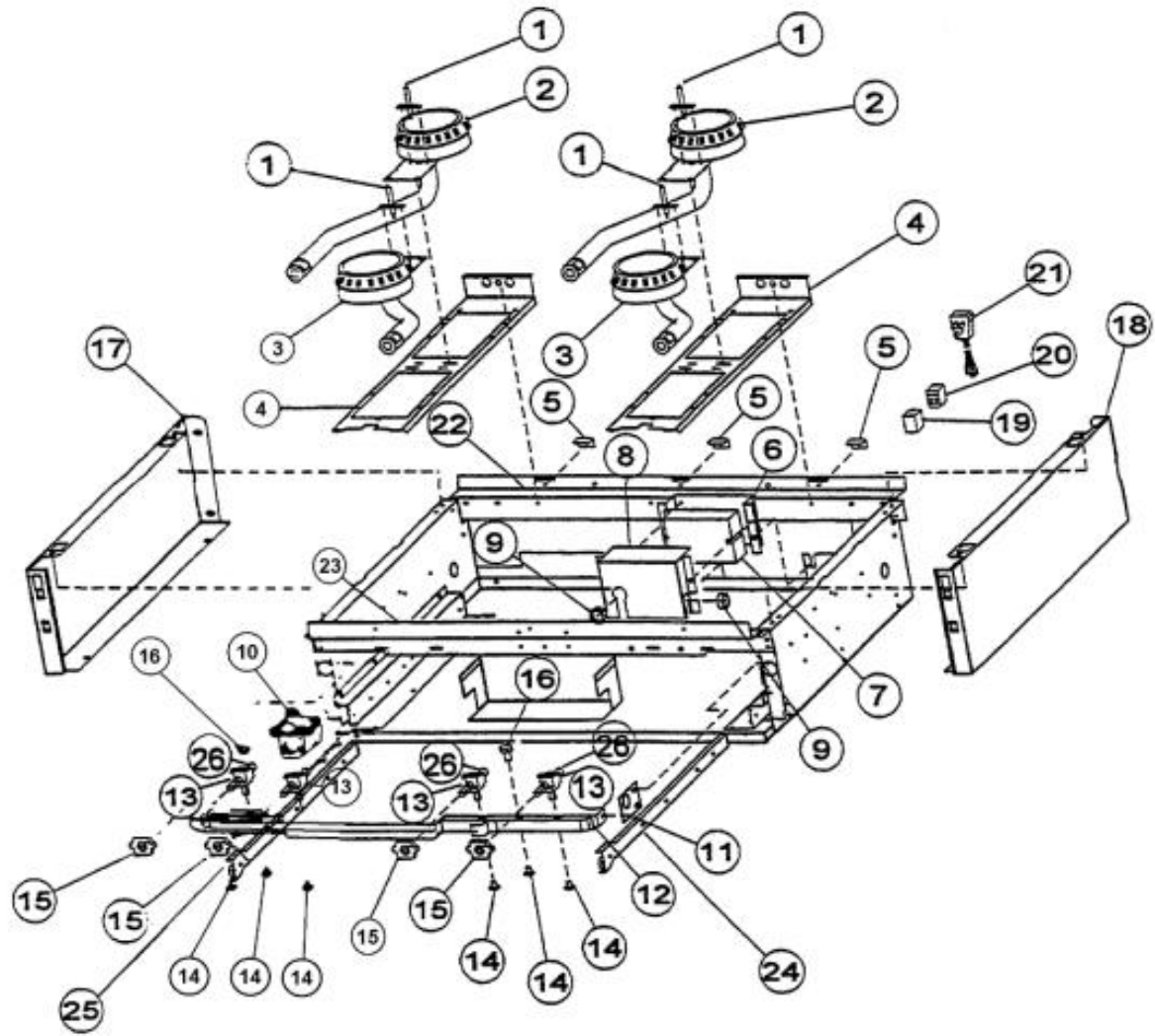
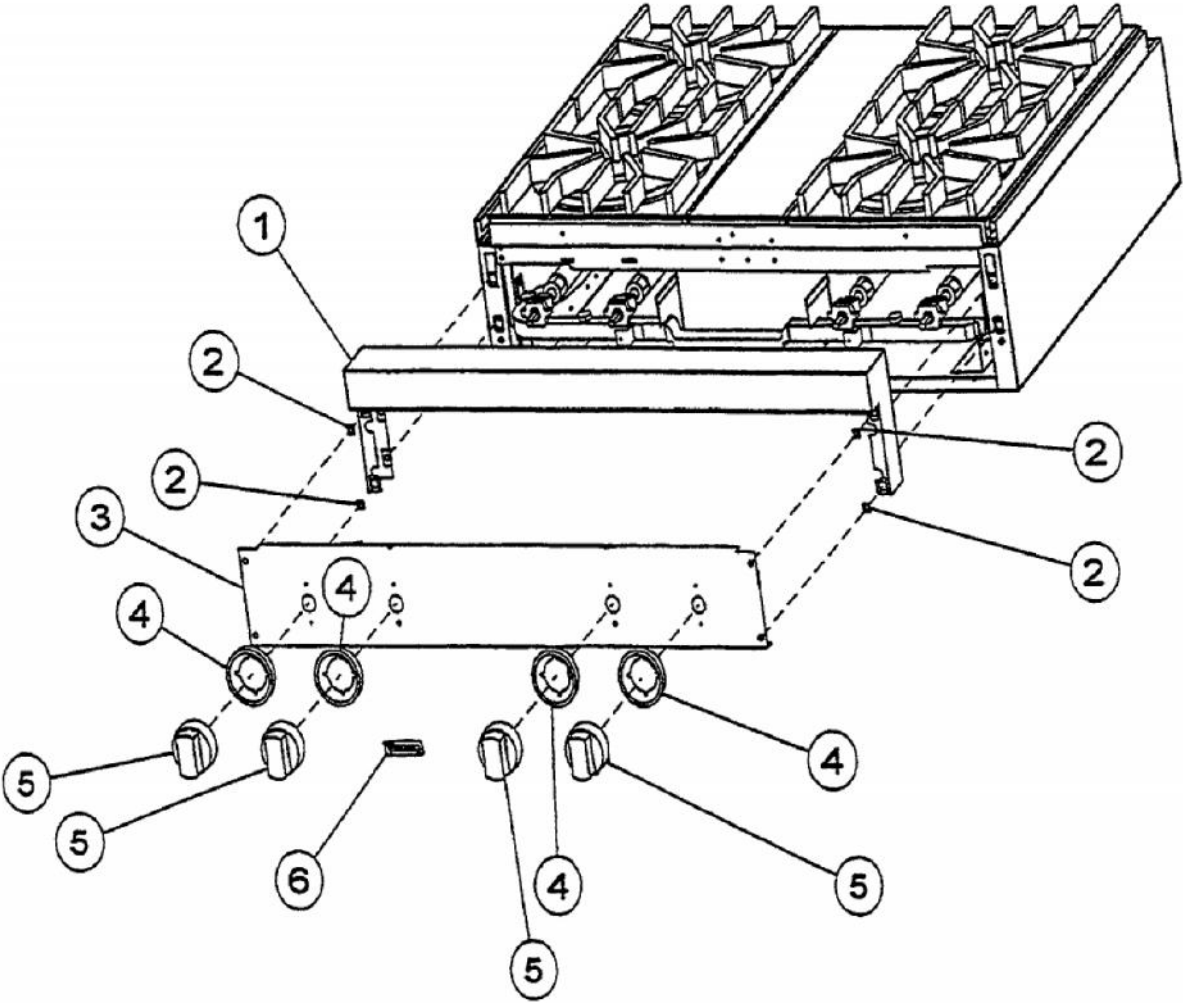


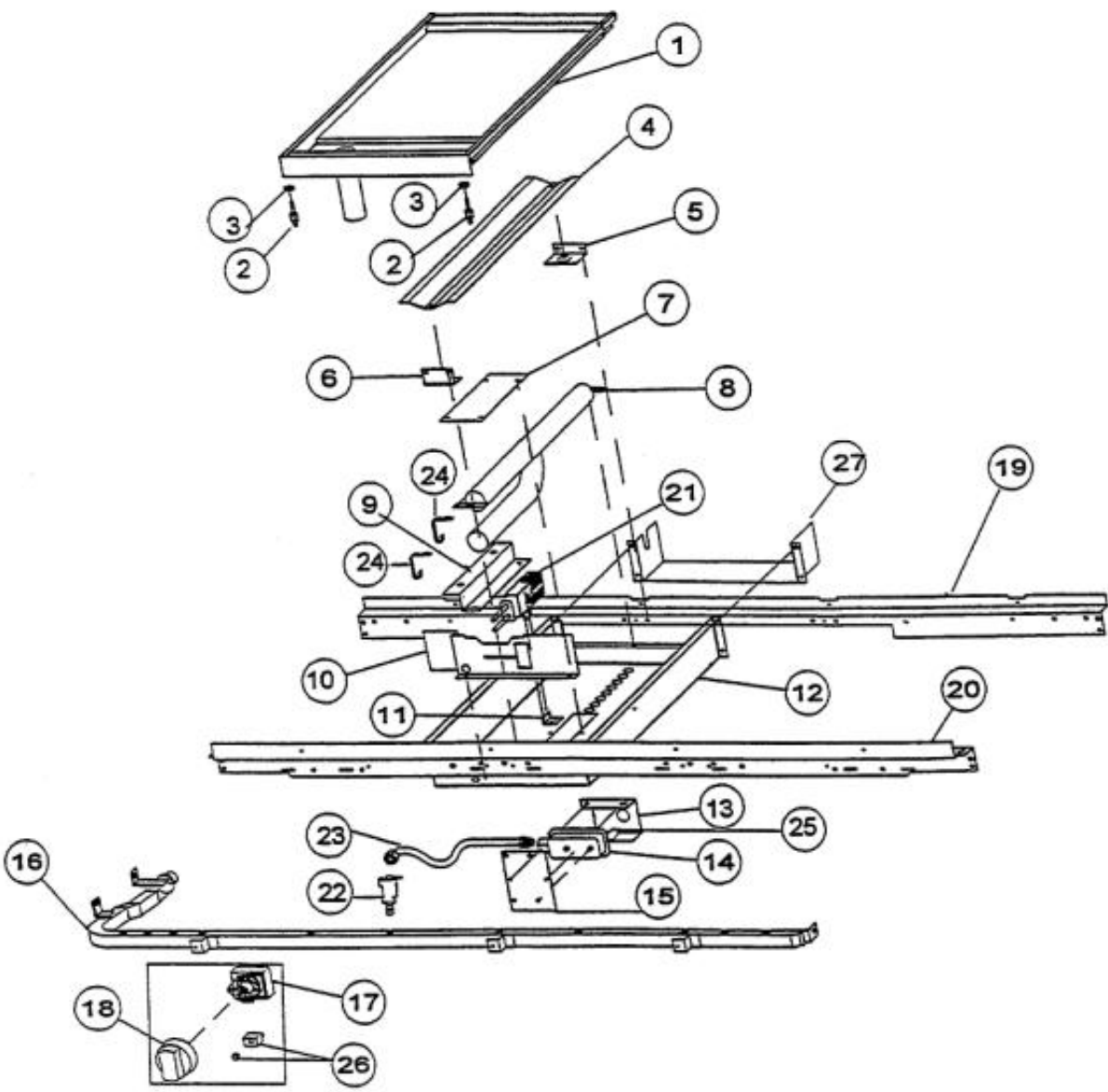
Ref #	Part Number	Qty.	Description
1	PA060037		GRATE BK REPL PA060024 (GEN.NO.2)
	PA060038		GRAY GRATES
2	PA030002AL		BURNER BOWL - AL
	PA030002BK		BURNER BOWL (VGRT) XXBKXX
	PA030002BT		BURNER BOWL - BT
	PA030002CB		BURNER BOWL - CB
	PA030002EP		BURNER BOWL - EP
	PA030002FG		BURNER BOWL - FG
	PA030002GG		BURNER BOWLS - GG
	PA030002LE		BURNER BOWLS - LE
	PA030002LN		BURNER BOWL (VGRT) XXLNX
	PA030002MJ		BURNER BOWL (VGRT) XXMJXX
	PA030002PL		BURNER BOWL (VGRT) XXPLXX
	PA030002SG		BURNER BOWL - SG
	PA030002VB		BURNER BOWL (VGRT) XXVBXX
	PA030002WH		BURNER BOWL (VGRT) XXWHXX
3	PA080015		BURNER CAP-VGRT XBKX
	PA080016		BURNER CAP-VGRT (GRAY-MATT)
4	PD040004		GROMMET BUMPER
5	PD010017		BALL STUD (VGRT)
6	PD030012		6-32 HEX NUT
7	G50013584AL		BURNER GRATE SUPPORT ASSEMBLY - AL
	G50013584BK		GRATE SUPPORT SERVICE KIT (BK)
	G50013584BT		GRATE SUPPORT SERVICE KIT (BT) - NLA
	G50013584CB		BURNER GRATE SUPPORT ASSEMBLY - CB
	G50013584EP		BURNER GRATE SUPPORT ASSEMBLY - EP
	G50013584FG		BURNER GRATE SUPPORT ASSEMBLY - FG
	G50013584GG		BURNER GRATE SUPPORT ASSEMBLY - GG
	G50013584LE		BURNER GRATE SUPPORT ASSEMBLY - LE
	G50013584LN		GRATE SUPPORT SERVICE KIT (LN)
	G50013584MJ		BURNER GRATE SUPPORT ASSEMBLY - MJ
	G50013584PL		GRATE SUPPORT ASSEMBLY - PL
	G50013584SG		BURNER GRATE SUPPORT ASSEMBLY - SG
	G50013584VB		BURNER GRATE SUPPORT ASSEMBLY - VB
	G50013584WH		GRATE SUPPORT SERVICE KIT (WH)
8	B2001915		SIDE TRIM-RH (VGRT)
	C9301915BR		SIDE TRIM RH (VGRT) XBRX
9	B2001916		SIDE TRIM-LH (VGRT)
	C9301916BR		SIDE TRIM LH (VGRT) XBRX
10	G3101176		DRIP TRAY ASSY VGRC/RT 48(6G/4G) BEFORE (12/6/96)
	G3101177		DRIP TRAY ASSY VGRC/RT 48(6Q) BEFORE (12/6/96)
	G3101178		DRIP TRAY ASSY VGRC/RT 48(4GQ) BEFORE (12/6/96)
11	J2101749		GREASE PAN (AFTER 12/6/96)
	PB080011		GREASE PAN BEFORE (12/6/96)
12	G3002580		DRIP TRAY HANDLE ASSY XSSX (VDSC48)
	G9302581PVD		DRIP TRAY HANDLE - BR (BEFORE 3/23/04)
13	PD010003		10-24 X 1/2 PH.TR.HD.SERD.M.S.
NI	PD030010		NO.10-24 KEPS NUT



Ref #	Part Number	Qty.	Description
1	PA020014		SPARK IGNITOR
2	PA080036		TOP BURNER REAR REPL PA080008
3	PA080037		TOP BURNER FRONT REPL PA080007
4	A2001112		BURNER SUPT (VGRT)
5	A2001147		GRATE SUPT ANGLE (VGRT)
6	A1001619		SPARK MODULE PLATE
7	PA020041		TYTRONICS 0+4 SPARK MODULE
8	A2001620		SPARK MODULE COVER (VGRC)
9	PD040005		SNAP BUSHING - 7/8
10	PA070001		PRESSURE REGULATOR (NAT.)
11	A1001138		MANIFOLD BRKT
12	PA050115		UNIVERSAL 48 MANIFOLD
13	003519-000		PA010024 VALVE AND BOLT KIT (BEFORE 08/09/02)
	G50012678		TOP BURNER VALVE KIT (BRASS VALVE REPLACEMENT) (BETWEEN 08/09/02 & 09/22/04)
	PA010157		SUB TO 003515-000 - RANGE TOP BURNER VALVE (AFTER 09/22/04)
14	PD010012		VALVE BOLT 1/4-20 UNC-2B 5/16 M.S.
15	PA020015		SPARK IGNITION SWITCH (BEFORE 09/22/04)
	PA020045		IGNITOR SWITCH (AFTER 09/22/04)
16	PA010012		ROPER PLUG
17	B2001920		SIDE PANEL-LH (VGRT)
18	B2001919		SIDE PANEL-RH (VGRT)
19	PE070070		DISCONNECT BLOCK XALX 770020-1
20	PE070071		DISCONNECT BLOCK XALX 770027-1
21	PE070128		SUPPLY CORD (VGRT/SC/SS/RC)
22	A2001908		REAR BURNER SUPT -48 (VGRT/RC)
23	A2001104		FRONT SUPT (48)
24	PK000008		DRIP TRAY GUIDE - RH
25	PK000007		DRIP TRAY GUIDE - LH (VGRT)
26	PB040034		ORIFICE HOOD-NO.50 (NAT)
	PB040036		ORIFICE HOOD-NO.57 (LP)
NI	G4001330		SPARK IGNITOR WIRE ASSY (10)
NI	G4001593		SPARK MODULE-TOP BRNR SPARKER (16)

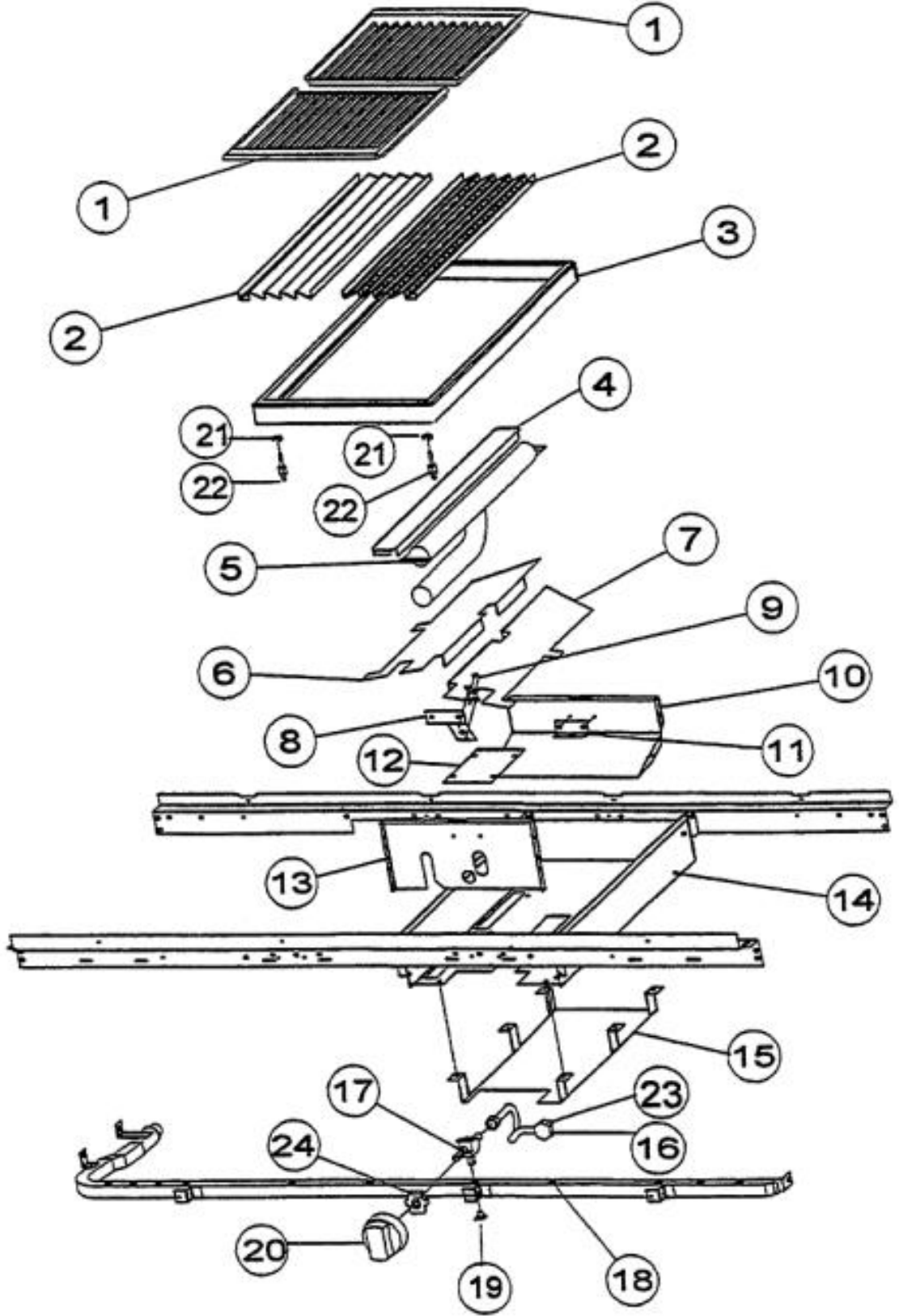


Ref #	Part Number	Qty.	Description
1	G3001406		LANDING LEDGE ASSY
	G3001585		36 LANDING LEDGE
	G3001584		LANDING LGD 48
	G3001810		LANDING LEDGE (VGRC605)
2	PD030050		10-24 CAGE NUT SS
3	B9202378		CTRL PAN- (VGRT480-8B )XSLK SCRX
	C9202378BK		CTRL PAN- XBKX (VGRT480-8B )XSLK SC
	C9202378WH		CTRL PAN- XWHX (VGRT480-8B )XSLK SC
	B9202380		CTRL PAN- (VGRT480-6G )XSLK SCRX
	C9202380BK		CTRL PAN- XBKX (VGRT480-6G) XSLK SC
	C9202380WH		CTRL PAN- XWHX (VGRT480-6G )XSLK
	B9202381		CTRL PAN- (VGRT480-6Q )XSLK SCRX
	C9202381BK		CTRL PAN- XBKX (VGRT480-6Q) XSLK SC
	C9202381WH		CTRL PAN- XWHX (VGRT480-6Q )XSLK S
	B9201580		CTRL PAN-(VGRT48-4G) XSLK SCRX
	C9201580BK		CTRL PAN - (VGRT480-4G )XSLK SCRX
	C9201580WH		CTRL PAN - (VGRT480-4G )XSLK SCRX
	B9202379		CTRL PAN- (VGRT480-4GQ )XSLK SCRX
	C9202379BK		CTRL PAN- XBKX (VGRT480-4GQ )XSLK
	C9202379WH		CTRL PAN- XWHX (VGRT480-4GQ )XSLK S
4	PB010208		BEZEL, CHROME PLATE
	PB010209		BEZEL BRASS
5	PA010034		TOP BURNER KNOB-XBKX (NEW STYLE) (BEFORE 08/09/02) IF ORIGINAL VALVE HAS NEVER BEEN R...
	PA010035		BURNER KNOB-WH NS REPL PA010028 (BEFORE 08/09/02) IF ORIGINAL VALVE HAS NEVER BEEN R...
	PB010206		VGSC,VGRC,VGRT TOP BURNER KNOB(BK) (AFTER 08/09/02 - OR IF ORIGINAL VALVE HAS BEEN REPLA...
	PB010207		VGSC,VGRC,VGRT TOP BURNER KNOB(WH) (AFTER 08/09/02 - OR IF ORIGINAL VALVE HAS BEEN REPLA...
6	PE010020		LOGO - PROFESSIONAL - VRTR, XBKX ASSY (BEFORE 5/11/99)
	PE010019		LOGO - PROFESSIONAL - VRTR, XWHX (BEFORE 5/11/99)
	PE010056		2 LOGO/VIKING PROF XBKXXBRX (BEFORE 5/11/99)
	PE010055		2 LOGO/VIKING PROF XWHXXBRX (BEFORE 5/11/99)
	PE010142		3 LOGO XBKXXCHROME (AFTER 5/11/99)
	PE010144		3 LOGO XWHXCHROME (AFTER 5/11/99)
	PE010143		3 LOGO BK/BR (AFTER 5/11/99)
	PE010145		LOGO - WH / BR (AFTER 5/11/99)



Ref #	Part Number	Qty.	Description
1	G30010494		GRIDDLE WELD ASSY
	G30010495		GRIDDLE ASSEMBLY
NI	PD040024		NO.6-32 X .250 INSERT
2	PD010017		BALL STUD (VGRT)
3	PD030012		6-32 HEX NUT
4	B2001884		GRIDDLE FLAME SHIELD
5	A2001880		REAR MTG. BRKT. GRIDDLE FLAME SHLD
6	A2001881		FRONT MTG. BRKT. GRIDDLE FLAME SHLD
7	A1001636		GRIDDLE VENTURI COVER
8	PB050077		GRILL BURNER
9	A2001949		T/STAT BULB COVER REPL A2001883
10	A2002001		GRIDDLE HEAT BAFFLE - SLOT SUPT
11	A2001300		GRIDDLE IGNITOR BRKT
12	A2001148		GRIDDLE BOX (VGRT)
13	A2001630		GRIDDLE VALVE COVER (VGRC)
14	PB010004		SINGLE SAFETY VALVE (NAT. GRIDDLE)
15	A1001198		THERMAL VALVE BRKT
16	PA050115		UNIVERSAL 48 MANIFOLD
17	PB010035		THERMOSTAT BAKE
18	PB010103		GRIDDLE KNOB N/S XBKX
	PB010104		GRIDDLE KNOB N/S XWHX
19	A2001908		REAR BURNER SUPT -48 (VGRT/RC)
20	A2001104		FRONT SUPT (48)
21	PB040001		IGNITOR - (ALL RANGES)
22	PB030002		SUB TO 003862-000 - SHUTOFF VALVE (BEFORE 09/22/04)
	PB030007		SHUT OFF VALVE (AFTER 09/22/04)
23	PB020007		GRIDDLE TUBING
24	PD030031		THERMAL BULB CLIP - .250
25	PB040035		ORIFICE HOOD-NO.51 9701B1651
	PB040036		ORIFICE HOOD-NO.57 (LP)
26	PE050023		OVEN IND. LIGHT (LENS & BEZEL)
	PE050024		OVEN IND. LIGHT (LIGHT HOUSING)
27	A2002147		GRIDDLE FLUE COVER (VGRT/VGSS/VGIS)
NI	PD040022		1/2 X 1/4-BUMPER (PORT. GRIDDLE)(BK
NI	PD020039		NO.6-32 X 1/2 PH.PN.HD. TYPE (23)
NI	A1008475		GRIDDLE FLUE DIVERTER
NI	A2001179		BACK SUPT (VGRT)





Ref #	Part Number	Qty.	Description
1	PA060028		GRILL GRATE - BK
	PA060029		GRILL GRATE - GR
2	E9101130BK		GRILL SMOKE GENERATOR
3	G9101182AL		GRILL GRATE SUPT (VGRT) XALX
	G9101182BK		GRILL GRATE SUPT (VGRT) XBKX
	G9101182BT		GRILL GRATE SUPT (VGRT) XBTX
	G9101182CB		GRILL GRATE SUPT (VGRT) XCBX
	G9101182EP		GRILL GRATE SUPT (VGRT) XEPX
	G9101182FG		GRILL GRATE SUPT (VGRT) XFGX
	G9101182GG		GRILL GRATE SUPPORT - GG
	G9101182LE		GRILL GRATE SUPT (VGRT) XLEX
	G9101182LN		GRILL GRATE SUPT (VGRT) XLNX
	G9101182MJ		GRILL GRATE SUPT (VGRT) XMJX
	G9101182PL		GRILL GRATE SUPT (VGRT) XPLX
	G9101182SG		GRILL GRATE SUPT (VGRT) XSGX
	G9101182VB		GRILL GRATE SUPT (VGRT) XVBX
	G9101182WH		GRILL GRATE SUPT (VGRT) XWHX
4	B2001140		GRILL FLAME SHIELD (VGRT)
5	PB050077		GRILL BURNER
6	B2001856		GRILL HEAT DEFLECTOR-LH (VGRC60)
7	B2001857		GRILL HEAT DEFLECTOR-RH (VGRC60)
8	A2001633		GRILL FRONT SPARKER BRKT (VGRC)
9	PA020014		SPARK IGNITOR
10	A2001855		GRILL BACK - (VGRC605)
11	A2001132		REAR GRILL BURNER BRKT (VGRT)
12	A1001862		GRILL VENTURI COVER (VGRC605)
13	A2001631		GRILL BOX FRONT (VGRC)
14	A2001852		GRILL BOX - (VGRC605)
15	A2001863		GRILL BTM SHIELD (VGRC605)
16	PB020025		TUBING-GRILL (REVISED) REP PB020021
17	PA010030		GRILL VALVE-(VGRT)
18	PA050115		UNIVERSAL 48 MANIFOLD
19	PD010012		VALVE BOLT 1/4-20 UNC-2B 5/16 M.S.
20	PA010039		TOP GRILL KNOBXBKX (VGRC) (N/STYLE
	PA010040		TOP GRILL KNOBXWHX (VGRC) (N/STYLE
21	PD030012		6-32 HEX NUT
22	PD010017		BALL STUD (VGRT)
23	PB040061		ORIFICE HOOD - NO.48
	PB040062		ORIFICE HOOD-NO.56
24	PA020015		SPARK IGNITION SWITCH