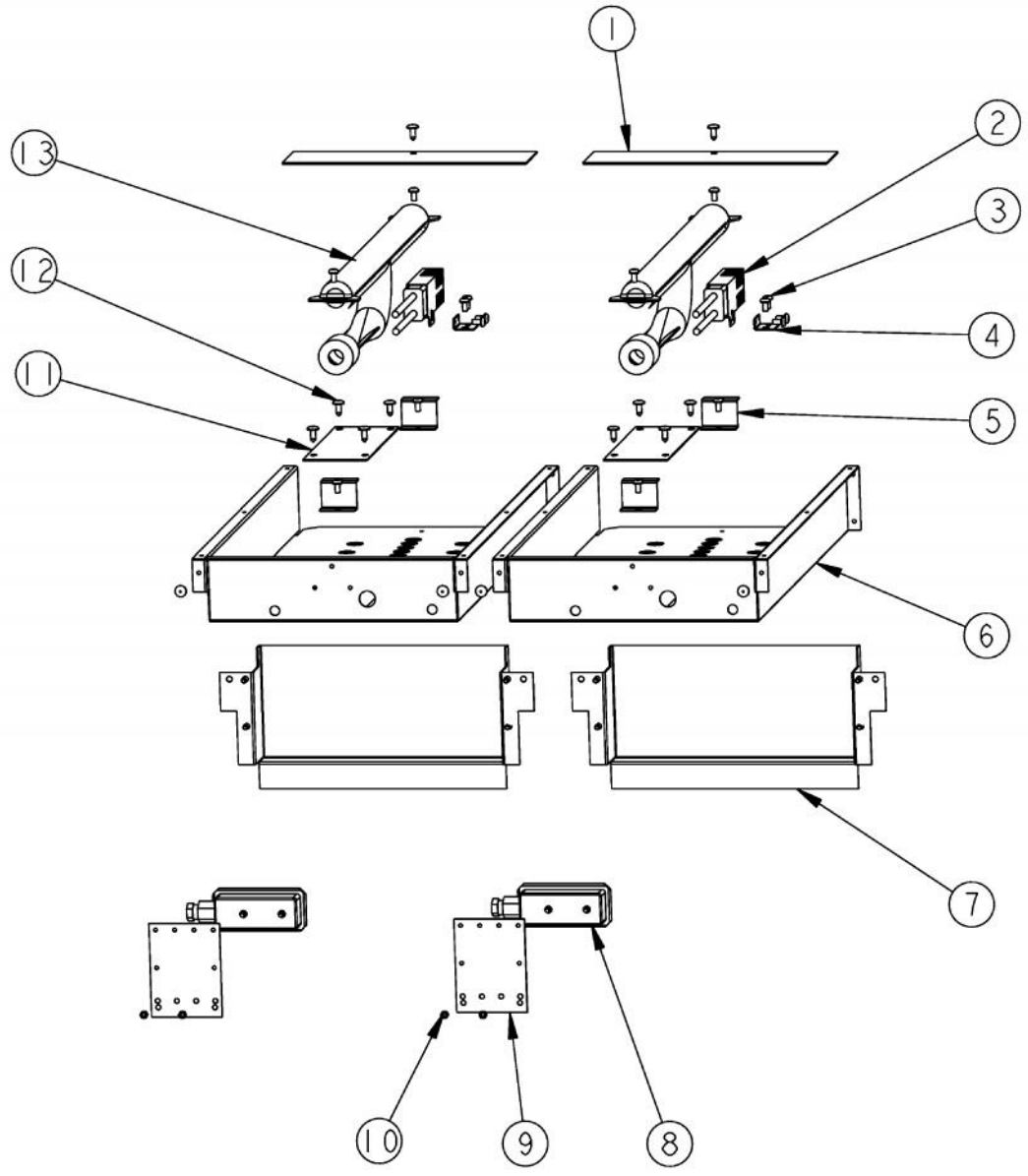
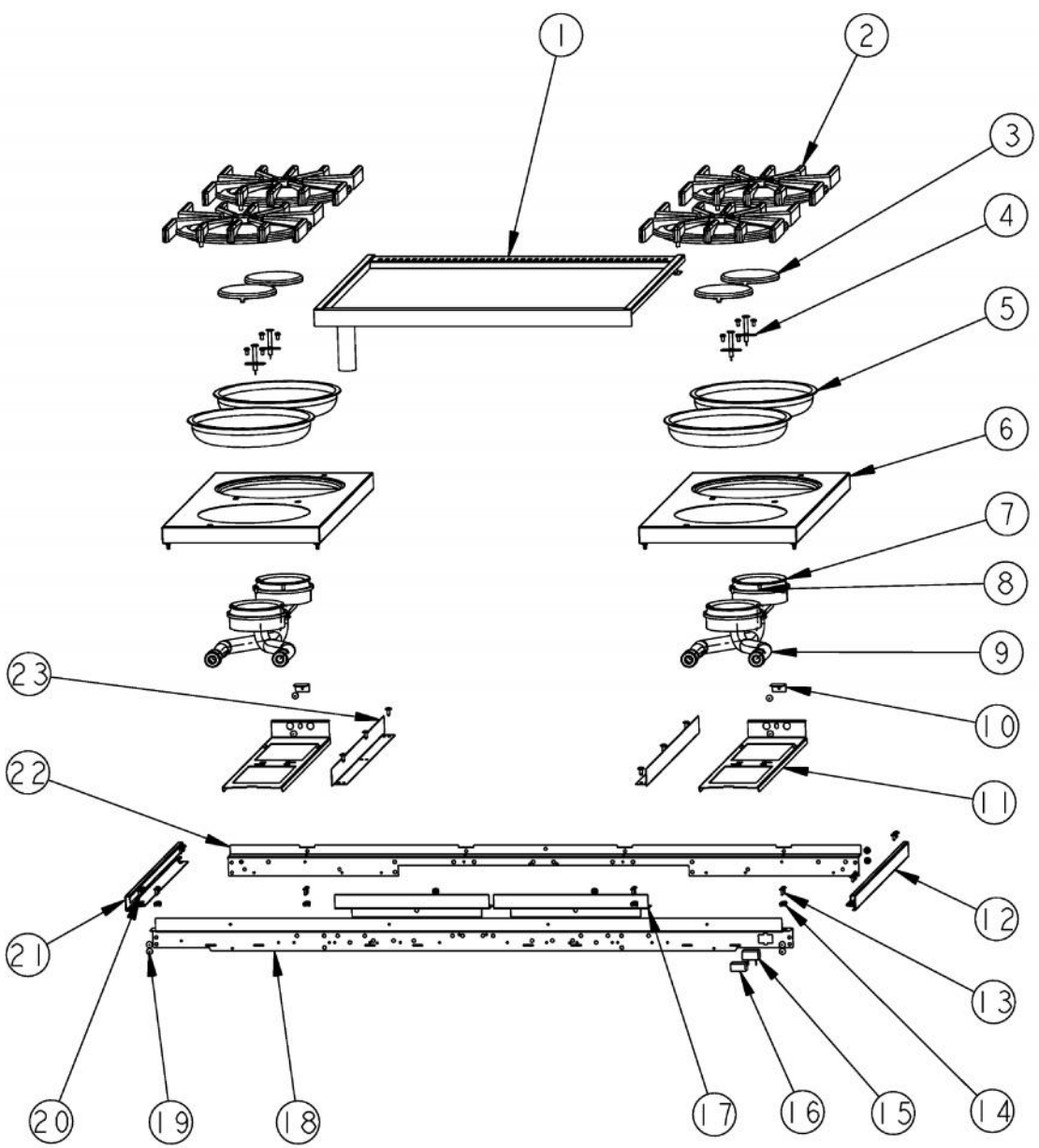


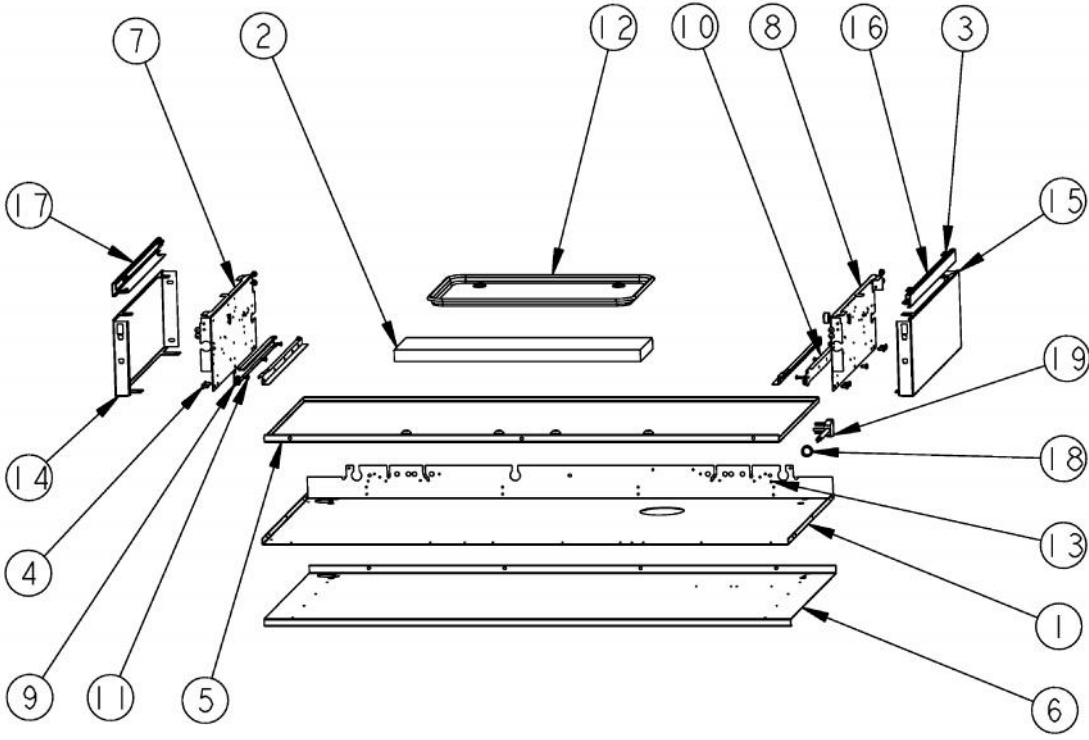
Ref #	Part Number	Qty.	Description
1	B9201580	1	CTRL PAN-(VGRT48-4G) XSLK SCRX
	C9201580AL	1	CONTROL PANEL VGRT480-4G XALX SILK SCR
	C9201580AR	1	CONTROL PANEL VGRT480-4G PAINTEDXARX
	C9201580BK	1	CTRL PAN - (VGRT480-4G )XSLK SCRX
	C9201580BT	1	CONTROL PANEL VGRT480-4G XBTX SILK SCR
	C9201580BU	1	CONTROL PANEL VGRT480-4G XBUX SILK SCR
	C9201580CB	1	CONTROL PANEL VGRT480-4G XCBX SILK SCR
	C9201580CH	1	CONTROL PANEL VGRT480-4G PAINTEDXCHX
	C9201580CW	1	CONTROL PANEL VGRT480-4G PAINTEDXCWX
	C9201580EP	1	CONTROL PANEL VGRT480-4G XEPX SILK SCR
	C9201580FG	1	CONTROL PANEL VGRT480-4G XFGX SILK SCR
	C9201580GG	1	CONTROL PANEL VGRT480-4G XGGX SILK SCR
	C9201580GM	1	CONTROL PANEL VGRT480-4G PAINTEDXGMX
	C9201580IB	1	CONTROL PANEL VGRT480-4G PAINTEDXIBX
	C9201580LE	1	CONTROL PANEL VGRT480-4G XLEX SILK SCR
	C9201580MJ	1	CONTROL PANEL VGRT480-4G XMJX SILK SCR
	C9201580MS	1	CONTROL PANEL VGRT480-4G PAINTEDXMSX
	C9201580OG	1	CONTROL PANEL VGRT480-4G PAINTEDXOGX
	C9201580PL	1	CONTROL PANEL VGRT480-4G PAINTEDXPLX
	C9201580PM	1	CONTROL PANEL VGRT480-4G PAINTEDXPMX
	C9201580RR	1	CONTROL PANEL VGRT480-4G PAINTEDXRRX
2	PD020067	4	NO.6 X 3/8 PAN PHIL. TEK SS
3	PD030005	8	SELF RETAINING NUT
4	PD010003	4	10-24 X 1/2 PH.TR.HD.SERD.M.S.
5	PD020006	4	NO.6-32 X 1/4 PH.PAN HD. T(F)
6	PD010012	11	VALVE BOLT 1/4-20 UNC-2B 5/16 M.S.
7	PD020002	3	10 X 1/2 PH.TR.HD.SMS.
8	PE010142	1	3 LOGO XBKXXCHROME
	PE010143	1	3 LOGO BK/BR
	PE010145	1	LOGO - WH / BR
9	PD040028	3	BUSHING(.194ID/.750OD/.750LONG)
10	PD030018	2	PALNUT - 3/4-16
11	G30010697	1	DRIP TRAY HANDLE ASSY 48
	G93011461BR	1	DRIP TRAY HANDLE ASSY 48 (BR)
12	PD040004	2	GROMMET BUMPER
13	PE050024	2	OVEN IND. LIGHT (LIGHT HOUSING)
14	PB010208	6	BEZEL, CHROME PLATE
	PB010209	6	BEZEL BRASS
15	G3009843	1	SEALED LANDING LEDGE ASSY 48
16	PE050023	2	OVEN IND. LIGHT (LENS & BEZEL)
17	A1001138	1	MANIFOLD BRKT
18	PA070001	1	PRESSURE REGULATOR (NAT.)
	000714-000	1	LP REGULATOR
19	002884-000	5	MANIFOLD PLUG
20	PD020033	4	SRW-NO.10-24X1/2T(23)PH.WFR HD (NKL)
21	PD020079	3	NO.10 X 1 1/4 PH. PAN HD. T(A) NYLOK
22	PB030007	2	SHUT OFF VALVE
	000644-000	2	SINGLE GAS VALVE - LP
23	PD040005	1	SNAP BUSHING - 7/8
24	PB010264	2	GRIDDLE THERMOSTAT
25	010914-000	4	KNOB, BNR, BK
	010963-000	4	KNOB, BNR, WH
26	PA010157	4	SUB TO 003515-000 - RANGE TOP BURNER VALVE
	000633-000	4	TOP BURNER VALVE - LP
27	002569-000	1	UNIVERSAL 48 MANIFOLD
28	PB010103	2	GRIDDLE KNOB N/S XBKX
	PB010104	2	GRIDDLE KNOB N/S XWHX
29	PA280028	4	WALL OVEN SELECTOR KNOB



Ref #	Part Number	Qty.	Description
1	A1008475	2	GRIDDLE FLUE DIVERTER
2	PB040001	2	IGNITOR - (ALL RANGES)
3	PD020004	16	10X3/8PH.HD.TYPE 25 REPL PD040125
4	A2001300	2	GRIDDLE IGNITOR BRKT
5	A2002847	4	SUPT-GRIDDLE BURNER
6	A2007610	2	GRIDDLE BOX - VGIC4854G
7	A2002899	2	GRIDDLE FLUE BOX
8	PB010004	2	SINGLE SAFETY VALVE (NAT. GRIDDLE)
9	A1001198	2	THERMAL VALVE BRKT
10	PD030012	4	6-32 HEX NUT
11	A1001636	2	GRIDDLE VENTURI COVER
12	PD020002	22	10 X 1/2 PH.TR.HD.SMS.
13	PB050077	2	GRILL BURNER
NI	000641-000	2	GRILL BURNER - LP



Ref #	Part Number	Qty.	Description
1	G30010495	1	24 GRIDDLE ASSY
2	PM010464	4	GRATE/BURNER KIT XBKX
3	PA080015	4	BURNER CAP-VGRT XBKX
4	PA020028	4	SPARK IGNITER
5	PA030002	4	BURNER BOWL
	PA030002WH	4	BURNER BOWL (VGRT) XXWHXX
6	E9101115BK	2	GRATE SUPT XBKX (VGRT)
	E9101115WH	2	GRATE SUPT XWHX (VGRT)
7	PA080036	2	TOP BURNER REAR REPL PA080008
	000638-000	2	VGRT REAR TOP BURNER - LP
8	PD020004	18	10X3/8PH.HD.TYPE 25 REPL PD040125
9	PA080037	2	TOP BURNER FRONT REPL PA080007
	000639-000	2	FRONT TOP BURNER - LP
10	A2001147	2	GRATE SUPT ANGLE (VGRT)
11	A2001112	1	BURNER SUPT (VGRT)
12	B2001915	1	SIDE TRIM-RH (VGRT)
	C9301915BR	1	SIDE TRIM RH (VGRT) XBRX
13	PC040010	8	POP RIVET
14	PD010016	4	BALL STUD FASTEN
15	000573-000	1	POWER JUMPER WIRE
16	PE070071	1	DISCONNECT BLOCK XALX 770027-1
17	A2002898	1	GRIDDLE BOX EXTENSION FRONT
18	A2001104	1	FRONT SUPT (48)
19	PD020002	14	10 X 1/2 PH.TR.HD.SMS.
20	PD020032	8	SRW-8(A)X3/8PH.WFR HD 7/16DIAXNICL
21	B2001916	1	SIDE TRIM-LH (VGRT)
22	A2001908	1	REAR BURNER SUPT -48 (VGRT/RC)
23	A2002896	2	GRIDDLE BOX EXTENSION (LH / RH)



Ref #	Part Number	Qty.	Description
1	A2001100	1	BURNER BOX BTM VGRT48
2	PB070034	1	INSULATION-TRS-10 1 X 20 X 3`
3	PD020032	8	SRW-8(A)X3/8PH.WFR HD 7/16DIAXNICL
4	PD020002	18	10 X 1/2 PH.TR.HD.SMS.
5	G30013336	1	48 DRIP TRAY ASSY. 6Q &4GQ
6	A2001108	1	BTM INSULATION PANEL (48)
7	A2001912	1	BURNER BOX SIDE LH
8	A2001911	1	BURNER BOX SIDE RH
9	PK000007	1	DRIP TRAY GUIDE - LH (VGRT)
10	PK000008	1	DRIP TRAY GUIDE - RH
11	PC040010	6	POP RIVET
12	PB080061	1	GREASE PAN
13	PD020010	2	10 X 3/8 GREEN GROUNDING SCREW
14	B2001920	1	SIDE PANEL-LH (VGRT)
15	B2001919	1	SIDE PANEL-RH (VGRT)
16	B2001915	1	SIDE TRIM-RH (VGRT)
	C9301915BR	1	SIDE TRIM RH (VGRT) XBRX
17	B2001916	1	SIDE TRIM-LH (VGRT)
	C9301916BR	1	SIDE TRIM LH (VGRT) XBRX
18	PD040005	2	SNAP BUSHING - 7/8
19	PE070179	1	SUPPLY CORD