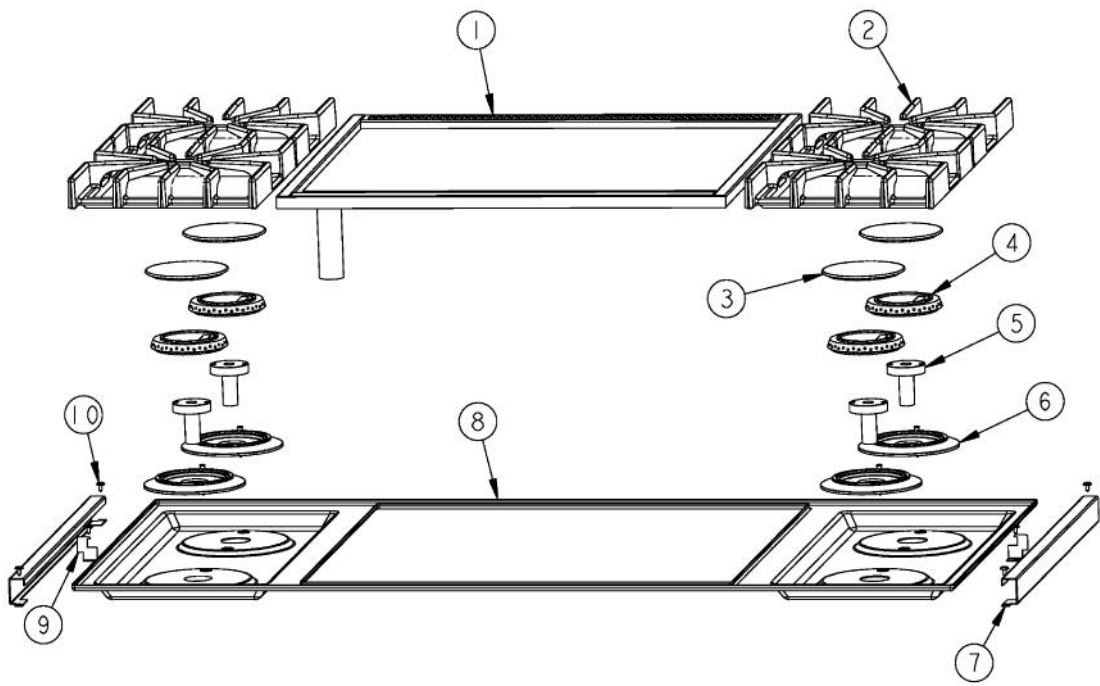
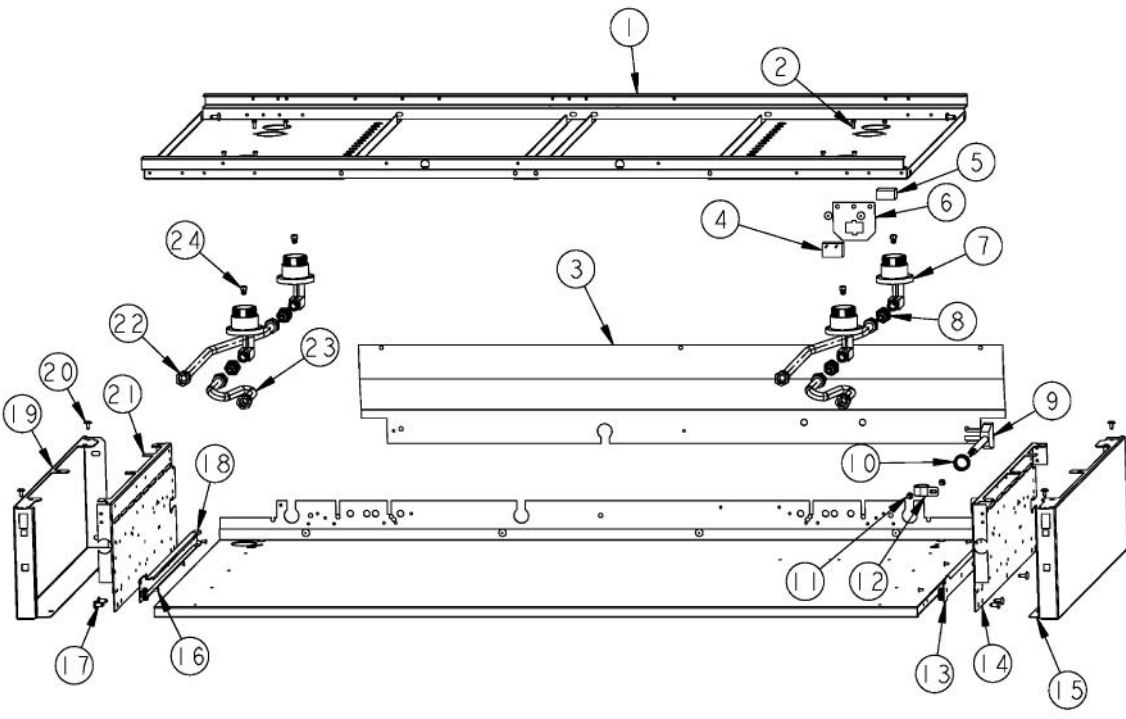


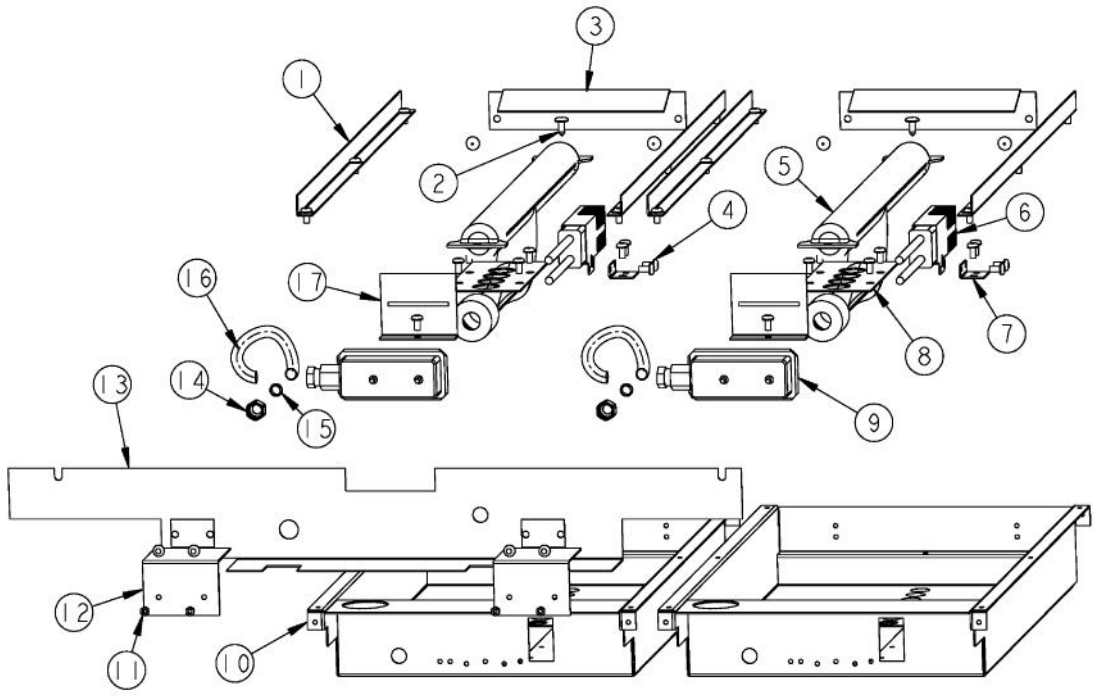
Ref #	Part Number	Qty.	Description
1	G3009843	1	SEALED LANDING LEDGE ASSY 48
2	PD030005	8	SELF RETAINING NUT
3	PD020002	50	10 X 1/2 PH.TR.HD.SMS.
4	A1001138	1	MANIFOLD BRKT
5	PD040005	1	SNAP BUSHING - 7/8
6	PD010003	4	10-24 X 1/2 PH.TR.HD.SERD.M.S.
7	PA010157	4	SUB TO 003515-000 - RANGE TOP BURNER VALVE
8	PA020058	4	IRIS SINGLE SPARK MODULE
9	PB010264	2	GRIDDLE THERMOSTAT
10	PA010012	4	ROPER PLUG
11	PB030007	1	SHUT OFF VALVE
12	PA070001	1	PRESSURE REGULATOR (NAT.)
13	PA050115	1	UNIVERSAL 48 MANIFOLD
	002569-000	1	UNIVERSAL 48 MANIFOLD
14	B9201580	1	CTRL PAN-(VGRT48-4G) XSLK SCRX
	C9201580AL	1	CONTROL PANEL VGRT480-4G XALX SILK SCR
	C9201580BK	1	CTRL PAN - (VGRT480-4G)XSLK SCRX
	C9201580BT	1	CONTROL PANEL VGRT480-4G XBTX SILK SCR
	C9201580BU	1	CONTROL PANEL VGRT480-4G XBUX SILK SCR
	C9201580CB	1	CONTROL PANEL VGRT480-4G XCBX SILK SCR
	C9201580EP	1	CONTROL PANEL VGRT480-4G XEPX SILK SCR
	C9201580FG	1	CONTROL PANEL VGRT480-4G XFGX SILK SCR
	C9201580GG	1	CONTROL PANEL VGRT480-4G XGGX SILK SCR
	C9201580LE	1	CONTROL PANEL VGRT480-4G XLEX SILK SCR
	C9201580MJ	1	CONTROL PANEL VGRT480-4G XMJX SILK SCR
	C9201580SG	1	CONTROL PANEL VGRT480-4G XSGX SILK SCR
	C9201580VB	1	CONTROL PANEL VGRT480-4G XVBX SILK SCR
	C9201580WH	1	CTRL PAN - (VGRT480-4G)XSLK SCRX
15	PD010012	11	VALVE BOLT 1/4-20 UNC-2B 5/16 M.S.
16	PD030006	2	CAPPED WASHER PAL NUT
17	PE010142	1	3 LOGO XBKXXCHROME
	PE010143	1	3 LOGO BK/BR
	PE010144	1	3 LOGO XWHXCHROME
	PE010145	1	LOGO - WH / BR
18	PD020006	10	NO.6-32 X 1/4 PH.PAN HD. T(F)
19	PE050023	2	OVEN IND. LIGHT (LENS & BEZEL)
20	PB010103	1	GRIDDLE KNOB N/S XBKX
	PB010104	1	GRIDDLE KNOB N/S XWHX
21	PB010206	4	VGSC,VGRC,VGRT TOP BURNER KNOB(BK)
	010914-000	4	KNOB, BNR, BK
	PB010207	4	VGSC,VGRC,VGRT TOP BURNER KNOB(WH)
22	PD020067	2	NO.6 X 3/8 PAN PHIL. TEK SS
23	PB010208	5	BEZEL, CHROME PLATE
	PB010304	5	KNOB BEZEL
	PB010209	5	BEZEL BRASS
24	PD020033	4	SRW-NO.10-24X1/2T(23)PH.WFR HD (NKL)
25	PE050024	2	OVEN IND. LIGHT (LIGHT HOUSING)



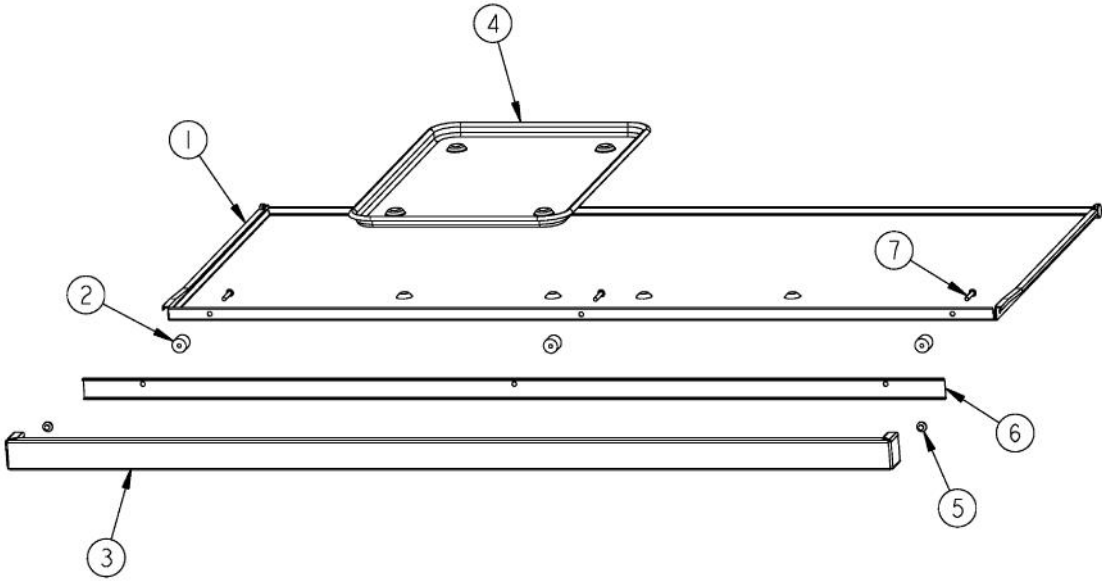
Ref #	Part Number	Qty.	Description
1	G3009847	1	SEALED GRIDDLE ASSEMBLY
2	PA060054	4	SEALED GRATE XBKX
3	PA080083	4	D BURNER CAP XMATTE BLACKX
4	PB050063	4	BURNER HEAD (BEFORE 12/18/07)
	001386-000	4	BURNER HEAD (AFTER 12/18/07)
5	PA010100	4	VENTURI D (VDSC3074B) (BEFORE 12/18/07)
6	PB050081	4	BURNER BASE ASSEMBLY (INCLUDES IGNITER) - BEFORE 12/18/07
	003322-040	4	SEALED BURNER BASE, TURNED FINISH (INCLUDES IGNITER) - AFTER 12/18/07
7	B2007851	2	SIDE TRIM
	C9307851BR	2	SIDE TRIM XBRX
8	E9109804BK	1	MAIN TOP (VDSC4G/4Q)
	E9109804WH	1	MAIN TOP (VDSC4G/4Q) XWHX
9	A2007858	2	SIDE TRIM BRKT
10	PD020032	14	SRW-8(A)X3/8PH.WFR HD 7/16DIAXNICL
NI	003606-000	4	NO.6-32 SOCKET HEAD SCREW (AFTER 12/18/07)



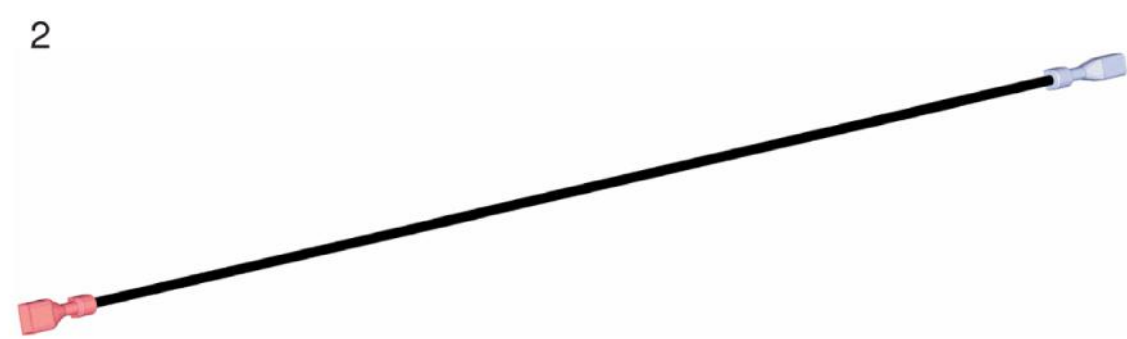
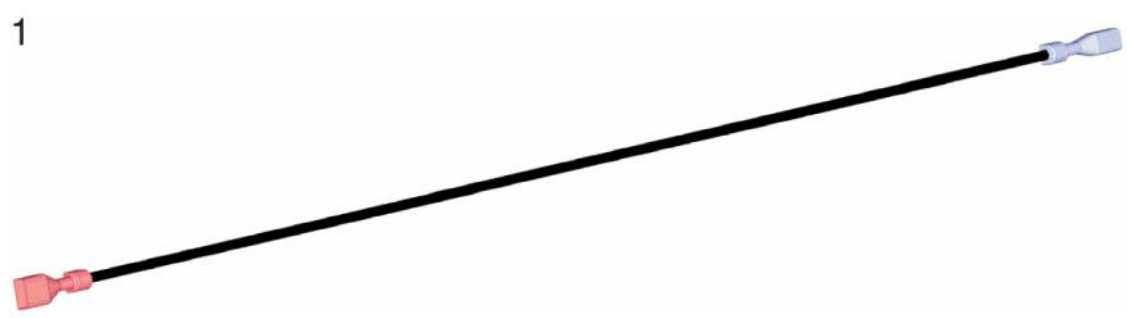
Ref #	Part Number	Qty.	Description
1	A20010184	1	48 SEALED BURNER SUPPORT
2	PD020076	8	6-32 X 3/8 PHILL PAN MS
3	A20012051	1	REAR SHIELD VGIC487
4	000573-000	1	POWER JUMPER WIRE
5	PE070071	1	DISCONNECT BLOCK XALX 770027-1
6	A1008487	1	SERVICE DISCONNECT BRACKET
7	PA080075	4	BODY BURNER D (VDSC3074BSS) (BEFORE 12/18/07)
	001394-042	4	15000 BTU NAT JETHOLDER (AFTER 12/18/07)
	001394-043	4	13500 BTU LP JETHOLDER (AFTER 12/18/07)
8	PA050086	4	5/8 MALE FLARE FITTING
9	PE070128	1	SUPPLY CORD (VGRT/SC/SS/RC)
10	PD040005	1	SNAP BUSHING - 7/8
11	PD020010	1	10 X 3/8 GREEN GROUNDING SCREW
12	PD030109	2	INSULATED CLAMP
13	PK000008	1	DRIP TRAY GUIDE - RH
14	A2006747	1	BURNER BOX SIDE RH (VDSC3074B)
15	002152-000	1	SIDE PANEL, RH
16	PC040010	6	POP RIVET
17	PD020002	50	10 X 1/2 PH.TR.HD.SMS.
18	PK000007	1	DRIP TRAY GUIDE - LH (VGRT)
19	002153-000	1	SIDE PANEL, LH
20	PD020032	14	SRW-8(A)X3/8PH.WFR HD 7/16DIAXNICL
21	A2006748	1	BURNER BOX SIDE LH (VDSC3074B)
22	PB020193	2	16 FLEX TUBING W/CONNECTORS
23	PB020192	2	10 FLEX TUBING W/CONNECTORS
24	PB040194	4	SEALED RANGE ORIFICE (NAT) (BEFORE 12/18/07)
	001396-040	4	15K NG ORIFICE (AFTER 12/18/07)
	PB040217	4	L.P. ORIFICE (BEFORE 12/18/07)
	001396-044	4	13.5K LP ORIFICE (AFTER 12/18/07)



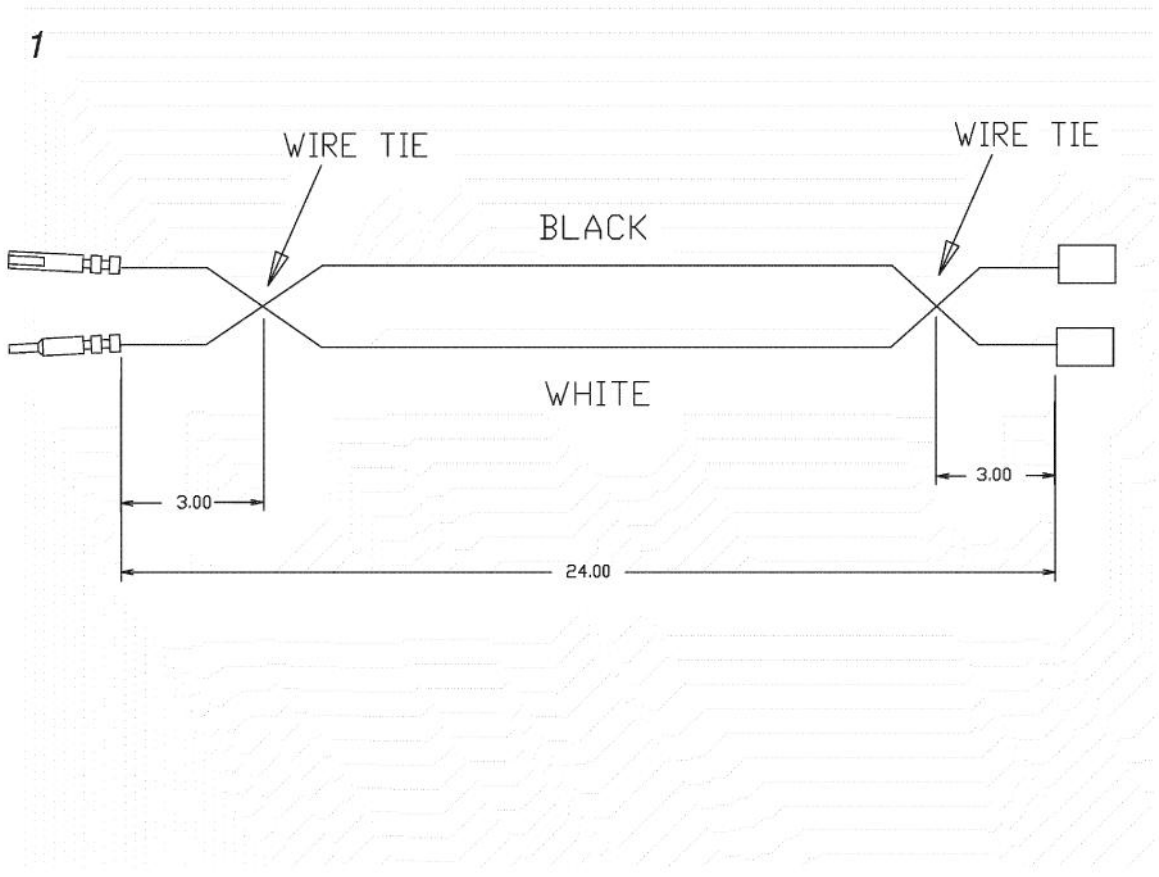
Ref #	Part Number	Qty.	Description
1	A20010657	2	GRIDDLE BOX FLANGE
2	PD020002	10	10 X 1/2 PH.TR.HD.SMS.
3	A20012667	1	HEAT DIVERTER
4	PD020004	7	10X3/8PH.HD.TYPE 25 REPL PD040125
5	PB050074	1	SEALED GRIDDLE BURNER
6	PB040001	1	IGNITOR - (ALL RANGES)
7	A2001300	1	GRIDDLE IGNITOR BRKT
8	A1007861	1	GRIDDLE VENTURI COVER IC36
9	PB010004	1	SINGLE SAFETY VALVE (NAT. GRIDDLE)
10	A2007862	1	GRIDDLE BOX (VGIC3674G)
11	PD030012	4	6-32 HEX NUT
12	A2007867	1	VALVE BRACKET
13	A20010463	1	COMPONENT SHIELD
14	PB040228	1	FITTING BRASS COMPRESSION NUT
15	PB040263	2	5/16 FERRULE
16	PB020116	1	TUBING - 10 FLEXIBLE 12 & 24
17	A2009580	1	GRIDDLE BURNER BRACKET



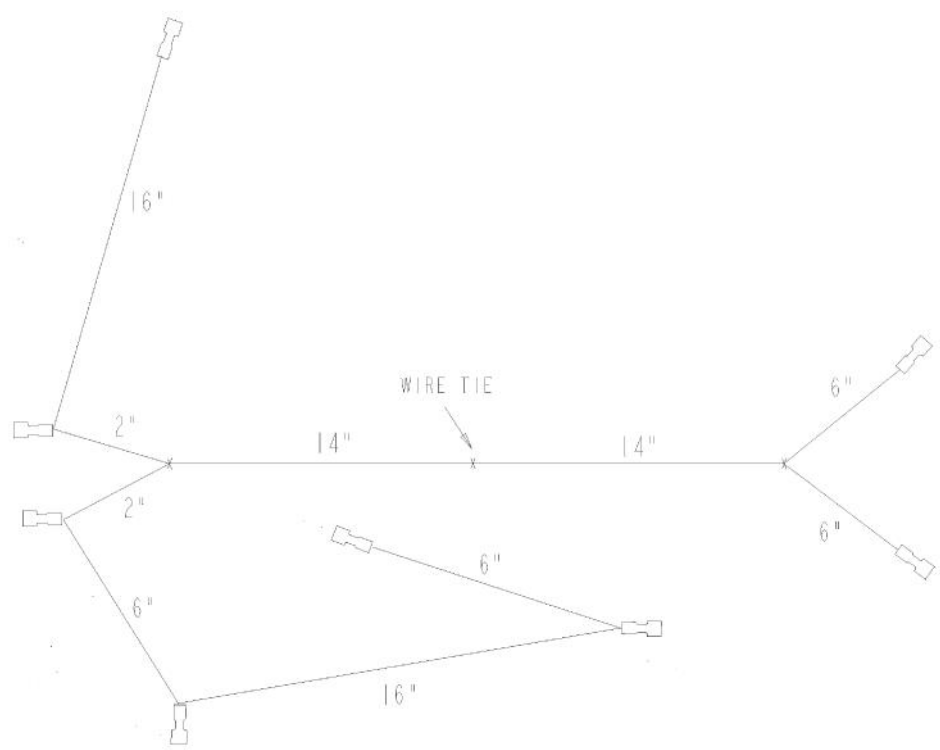
Ref #	Part Number	Qty.	Description
1	G30013336	1	48 DRIP TRAY ASSY. 6Q &4GQ
2	PD040028	3	BUSHING(.194ID/.750OD/.750LONG)
3	G30010697	1	DRIP TRAY HANDLE ASSY 48
	G93011461PVD	1	DRIP TRAY HANDLE ASSY 48 PVD
4	PB080061	1	GREASE PAN
5	PD040004	2	GROMMET BUMPER
6	A20010693	1	DRIP TRAY HANDLE BACK 48
7	PD020079	3	NO.10 X 1 1/4 PH. PAN HD. T(A) NYLOK



Ref #	Part Number	Qty.	Description
1	000647-000	1	IRIS IGNITOR WIRE, FRONT BURNER
2	000648-000	1	IRIS IGNITOR WIRE, BACK BURNER

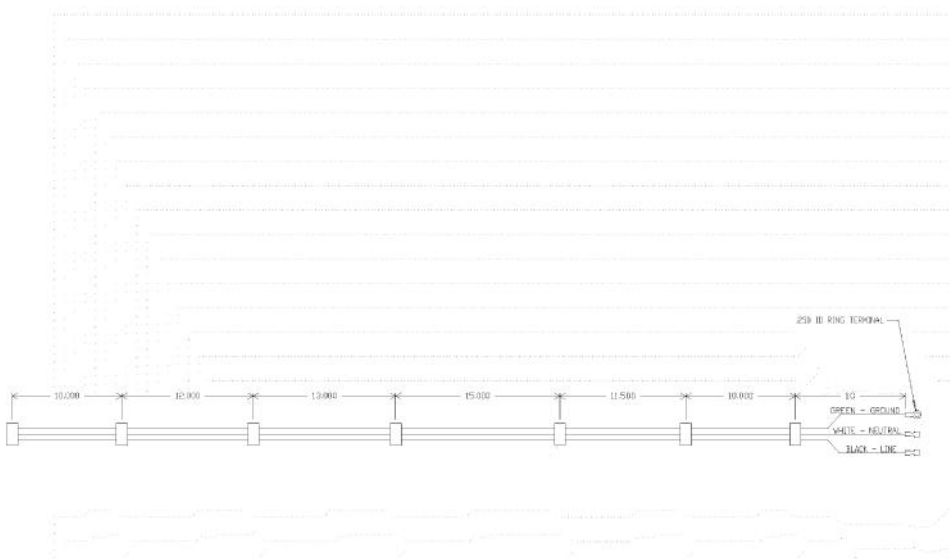


Ref #	Part Number	Qty.	Description
1	000837-000	1	VGRT SUPPLY CORD JUMPER (BEFORE 10/4/11)
NI	027347-000	1	SUPPLY CORD JUMPER (ON OR AFTER 10/4/11)



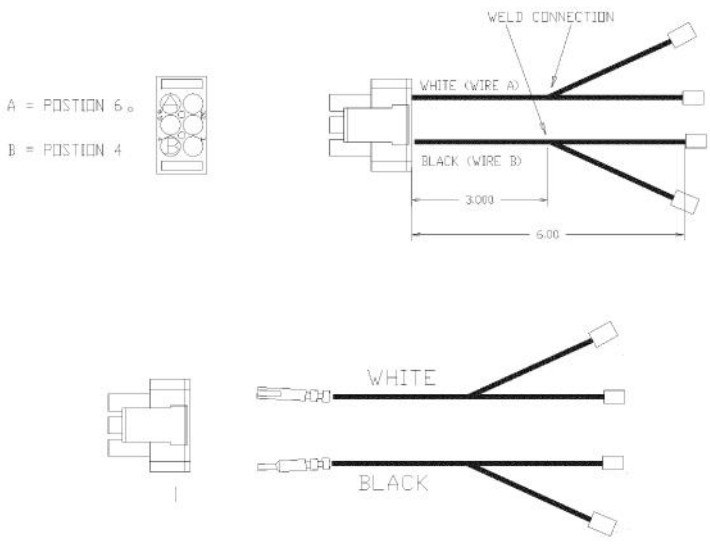
Ref #	Part Number	Qty.	Description
NI	002666-000	1	VGRT48-4G, GRIDDLE HARNESS W/IRIS

1



Ref #	Part Number	Qty.	Description
1	PE070891	1	IRIS HARNESS - 48

1



Ref #	Part Number	Qty.	Description
1	000878-000	1	IRIS POWER JUMPER W/GRIDDLE