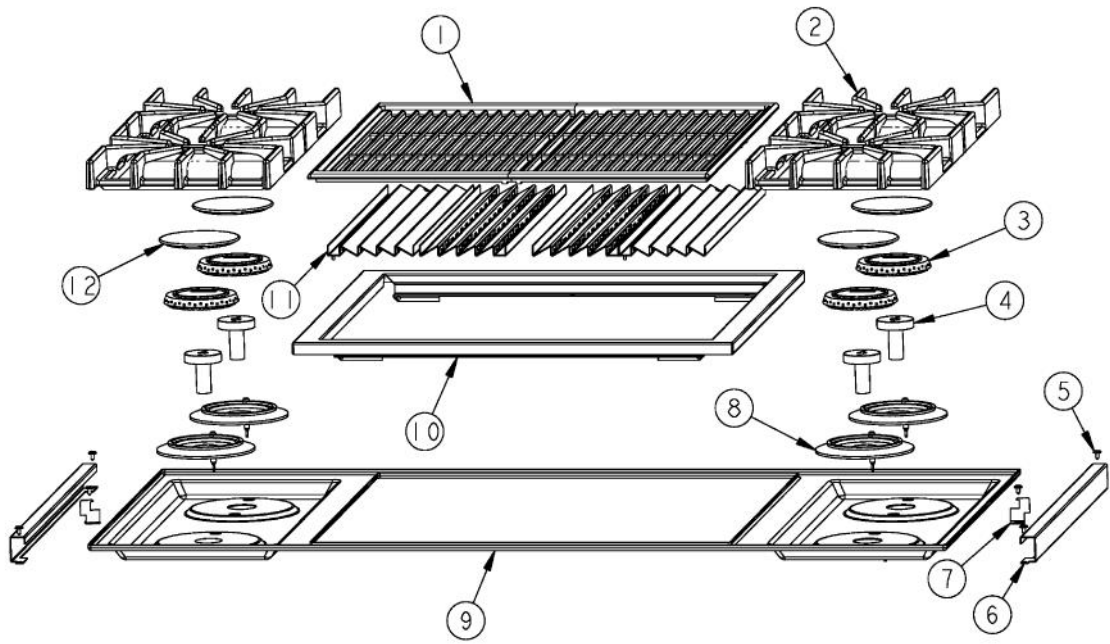
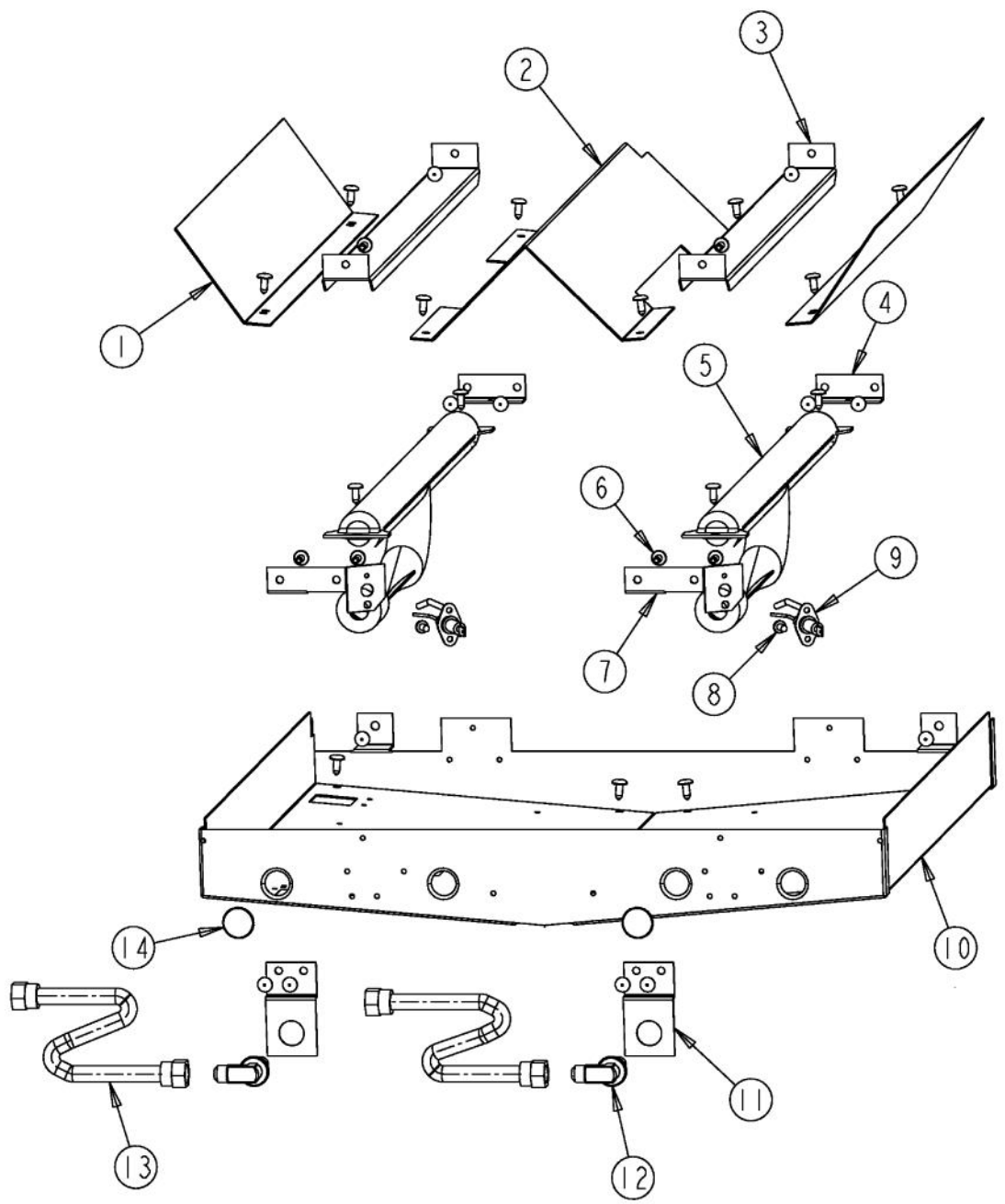


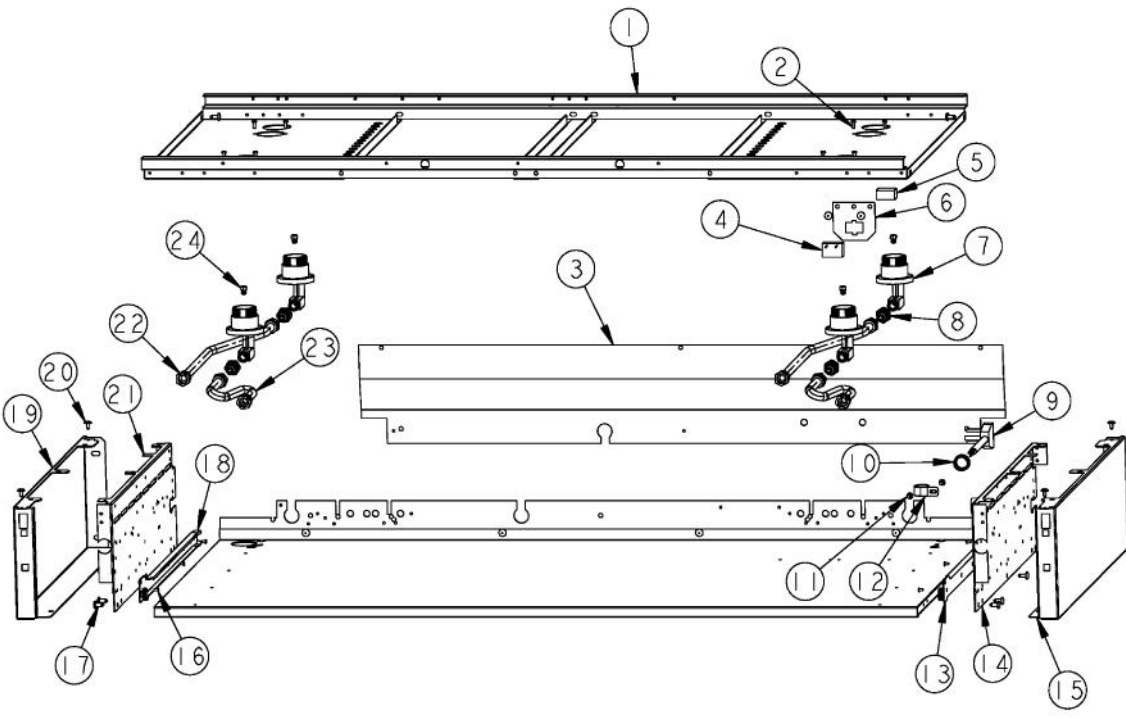
Ref #	Part Number	Qty.	Description
1	PD010003	4	10-24 X 1/2 PH.TR.HD.SERD.M.S.
2	G3009843	1	SEALED LANDING LEDGE ASSY 48
3	PD030005	8	SELF RETAINING NUT
4	PD020002	50	10 X 1/2 PH.TR.HD.SMS.
5	A1001138	1	MANIFOLD BRKT
6	PA010158	4	SUB TO 003517-000 - SEALED BURNER FLARE VALVE
7	PA010185	2	BURNER VALVE
8	PA020058	6	IRIS SINGLE SPARK MODULE
9	PA010012	4	ROPER PLUG
10	PA050115	1	UNIVERSAL 48 MANIFOLD
	002569-000	1	UNIVERSAL 48 MANIFOLD
11	PA070001	1	PRESSURE REGULATOR (NAT.)
12	B9202381	1	CTRL PAN- (VGRT480-6Q)XSLK SCR
	C9202381AL	1	CONTROL PANEL VGRT480-6Q XALX SILK SCR
	C9202381BK	1	CTRL PAN- XBKX (VGRT480-6Q) XSLK SC
	C9202381BT	1	CONTROL PANEL VGRT480-6Q XBTX SILK SCR
	C9202381BU	1	CONTROL PANEL VGRT480-6Q XBUX SILK SCR
	C9202381CB	1	CONTROL PANEL VGRT480-6Q XCBX SILK SCR
	C9202381EP	1	CONTROL PANEL VGRT480-6Q XEPX SILK SCR
	C9202381FG	1	CONTROL PANEL VGRT480-6Q XFGX SILK SCR
	C9202381GG	1	CONTROL PANEL VGRT480-6Q XGGX SILK SCR
	C9202381LE	1	CONTROL PANEL VGRT480-6Q XLEX SILK SCR
	C9202381MJ	1	CONTROL PANEL VGRT480-6Q XMJX SILK SCR
	C9202381SG	1	CONTROL PANEL VGRT480-6Q XSGX SILK SCR
	C9202381VB	1	CONTROL PANEL VGRT480-6Q XVBX SILK SCR
	C9202381WH	1	CTRL PAN- XWHX (VGRT480-6Q)XSLK S
13	PD010012	11	VALVE BOLT 1/4-20 UNC-2B 5/16 M.S.
14	PD030006	2	CAPPED WASHER PAL NUT
15	PD020033	4	SRW-NO.10-24X1/2T(23)PH.WFR HD (NKL)
16	PB010208	5	BEZEL, CHROME PLATE
	PB010304	5	KNOB BEZEL
	PB010209	5	BEZEL BRASS
17	PD020067	10	NO.6 X 3/8 PAN PHIL. TEK SS
18	PB010206	4	VGSC,VGRC,VGRT TOP BURNER KNOB(BK)
	010914-000	4	KNOB, BNR, BK
	PB010207	4	VGSC,VGRC,VGRT TOP BURNER KNOB(WH)
19	PB010129	1	THERMOSTAT KNOB XBKX (VDSC)
	PB010130	1	THERMOSTAT KNOB XWHX (VDSC)
20	PE010142	1	3 LOGO XBKXXCHROME
	PE010143	1	3 LOGO BK/BR
	PE010144	1	3 LOGO XWHXCHROME
	PE010145	1	LOGO - WH / BR



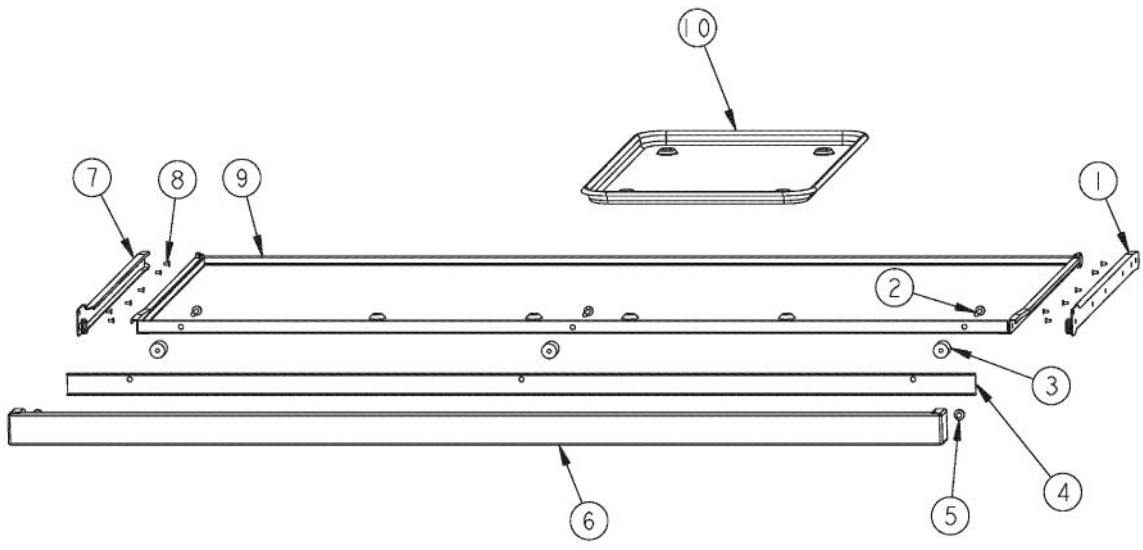
Ref #	Part Number	Qty.	Description
1	PA060080	2	24 GRILL GRATE XBLACKX
2	PA060054	4	SEALED GRATE XBKX
3	PB050063	4	BURNER HEAD (BEFORE 12/18/07)
3	001386-000	4	BURNER HEAD (AFTER 12/18/07)
4	PA010100	4	VENTURI D (VDSC3074B)
5	PD020032	14	SRW-8(A)X3/8PH.WFR HD 7/16DIAXNICL
6	B2007851	2	SIDE TRIM
	C9307851BR	2	SIDE TRIM XBRX
7	A2007858	2	SIDE TRIM BRKT
8	PB050081	4	BURNER BASE ASSEMBLY (INCLUDES IGNITER) (BEFORE 12/19/07)
8	003322-000	4	SEALED BURNER BASE, PAINTED FINISH (AFTER 12/18/07)
9	E9109804BK	1	MAIN TOP (VDSC4G/4Q)
	E9109804WH	1	MAIN TOP (VDSC4G/4Q) XWHX
10	G91010148BK	1	SEALED 24 GRILL FRAME ASSY. BK
	G91010148WH	1	SEALED 24 GRILL FRAME ASSY. WH
11	E9101130BK	1	GRILL SMOKE GENERATOR
12	PA080083	4	D BURNER CAP XMATTE BLACKX



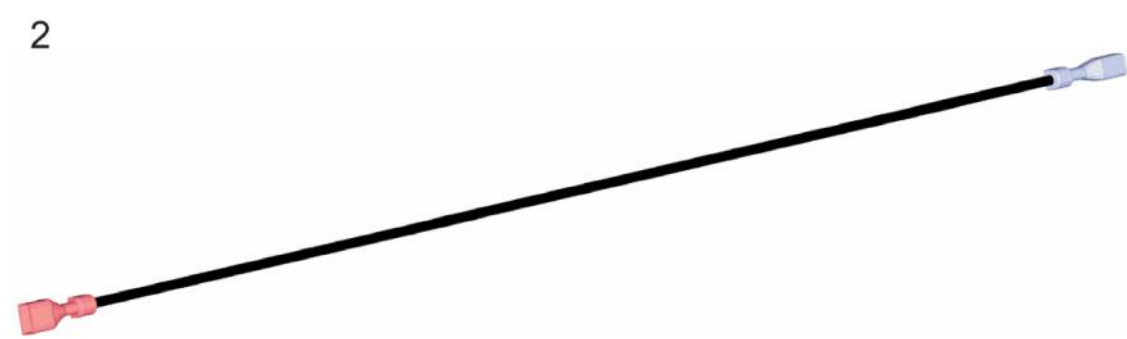
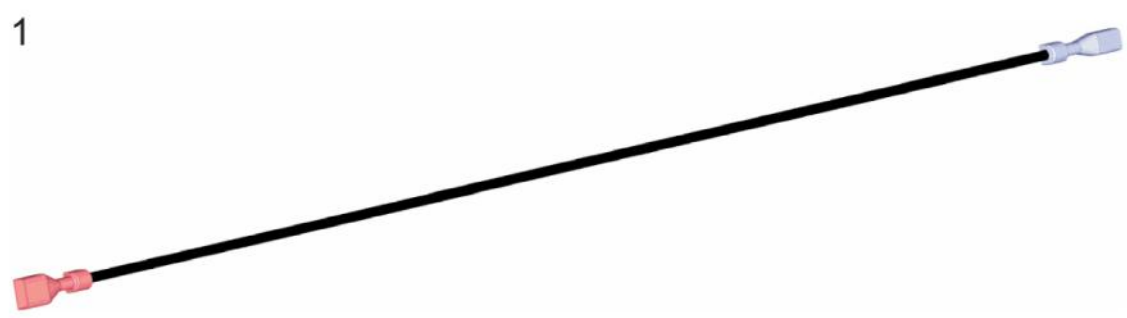
Ref #	Part Number	Qty.	Description
1	A2009544	2	SIDE SHIELD, VGIC245Q
2	B2008483	1	24 GRILL DRIP COVER
3	B2008484	2	24 GRILL FLAME SHIELD
4	A2008480	1	24 GRILL REAR BURNER SUPT BRKT
5	PB050077	2	GRILL BURNER
6	PD020002	20	10 X 1/2 PH.TR.HD.SMS.
7	A2009781	2	GRILL BURNER BRACKET
8	PD020004	2	10X3/8PH.HD.TYPE 25 REPL PD040125
9	PB040160	2	WOK IGNITER
10	G30011250	1	24 GRILL BURNER BOX ASSY
11	A2008481	2	24 GRILL ORIFICE BRACKET
12	PB040252	2	24 GRILL ORIFICE FITTING
13	PB020192	2	10 FLEX TUBING W/CONNECTORS
14	PA010182	1	STANDARD HOLE PLUG



Ref #	Part Number	Qty.	Description
1	A20010184	2	48 SEALED BURNER SUPPORT
2	PD020076	8	6-32 X 3/8 PHILL PAN MS
3	A20012051	1	REAR SHIELD VGIC487
4	000573-000	2	POWER JUMPER WIRE
5	PE070071	1	DISCONNECT BLOCK XALX 770027-1
6	A1008487	1	SERVICE DISCONNECT BRACKET
7	PA080075	4	BODY BURNER D (VDSC3074BSS) (BEFORE 12/19/07)
7	001394-042	4	15000 BTU NAT JETHOLDER (AFTER 12/18/07)
7	001394-043	4	13500 BTU LP JETHOLDER (AFTER 12/18/07)
8	PA050086	4	5/8 MALE FLARE FITTING
9	PE070128	1	SUPPLY CORD (VGRT/SC/SS/RC)
10	PD040005	1	SNAP BUSHING - 7/8
11	PD020010	1	10 X 3/8 GREEN GROUNDING SCREW
12	PD030109	2	INSULATED CLAMP
13	PK000008	1	DRIP TRAY GUIDE - RH
14	A2006747	1	BURNER BOX SIDE RH (VDSC3074B)
15	002152-000	1	SIDE PANEL, RH
16	PC040010	10	POP RIVET
17	PD020002	4	10 X 1/2 PH.TR.HD.SMS.
18	PK000007	1	DRIP TRAY GUIDE - LH (VGRT)
19	002153-000	1	SIDE PANEL, LH
20	PD020032	1	SRW-8(A)X3/8PH.WFR HD 7/16DIAXNICL
21	A2006748	1	BURNER BOX SIDE LH (VDSC3074B)
22	PB020193	2	16 FLEX TUBING W/CONNECTORS
23	PB020192	1	10 FLEX TUBING W/CONNECTORS
24	PB040194	4	SEALED RANGE ORIFICE (NAT) (BEFORE 12/19/07)
24	001396-040	4	15K NG ORIFICE (AFTER 12/18/07)
24	001394-044	4	16.6 K BTU LP JETHOLDER (AFTER 12/18/07)

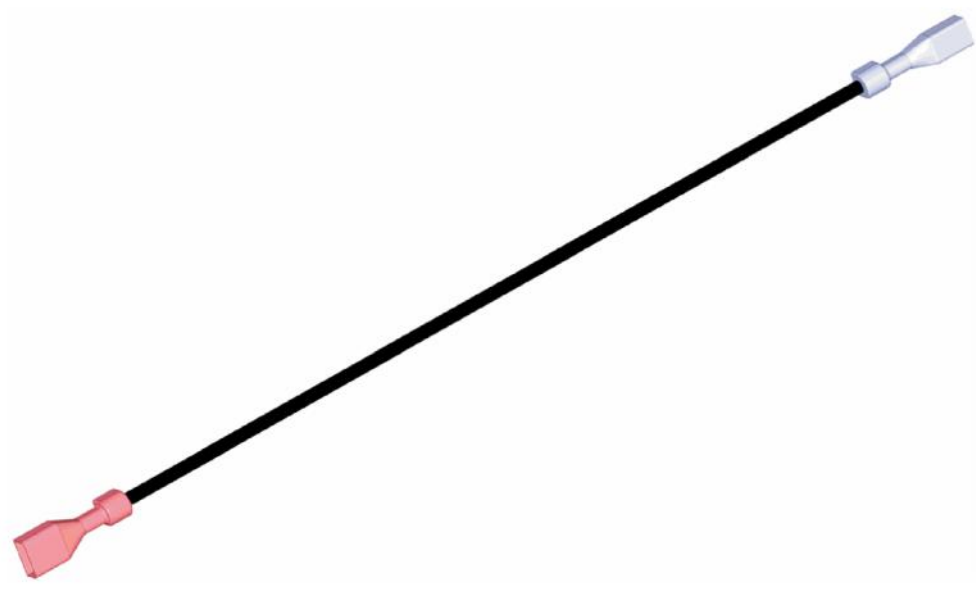


Ref #	Part Number	Qty.	Description
1	PK000008	1	DRIP TRAY GUIDE - RH
2	PD020049	3	NO.10 X 1 1/4 PH. PAN HD. T(A)
3	PD040028	3	BUSHING(.194ID/.750OD/.750LONG)
4	A20010693	1	DRIP TRAY HANDLE BACK 48
5	PD040004	2	GROMMET BUMPER
6	G30010697	1	DRIP TRAY HANDLE ASSY 48
	G93011461PVD	1	DRIP TRAY HANDLE ASSY 48 PVD
7	PK000007	1	DRIP TRAY GUIDE - LH (VGRT)
8	PC040010	3	POP RIVET
9	G30013336	1	48 DRIP TRAY ASSY. 6Q &4GQ
10	PB080061	1	GREASE PAN

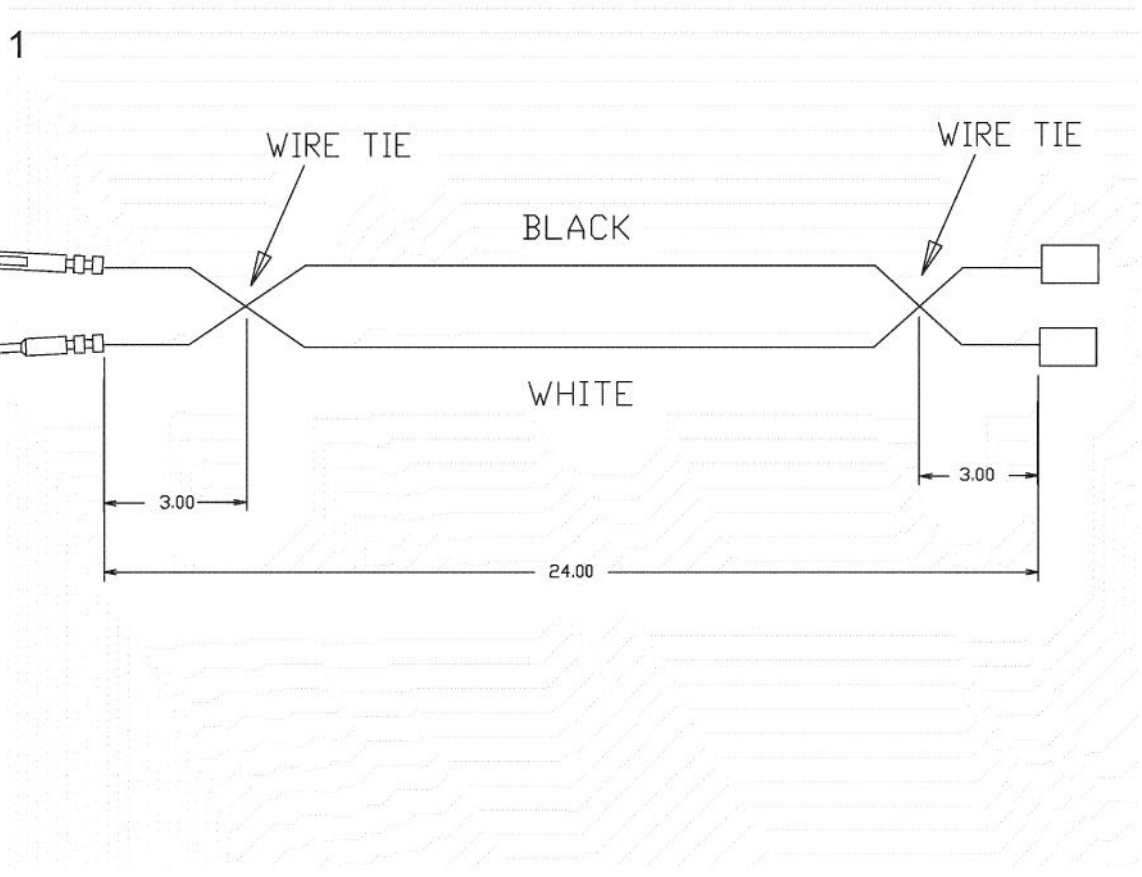


Ref #	Part Number	Qty.	Description
1	000647-000	1	IRIS IGNITOR WIRE, FRONT BURNER
2	000648-000	1	IRIS IGNITOR WIRE, BACK BURNER

1

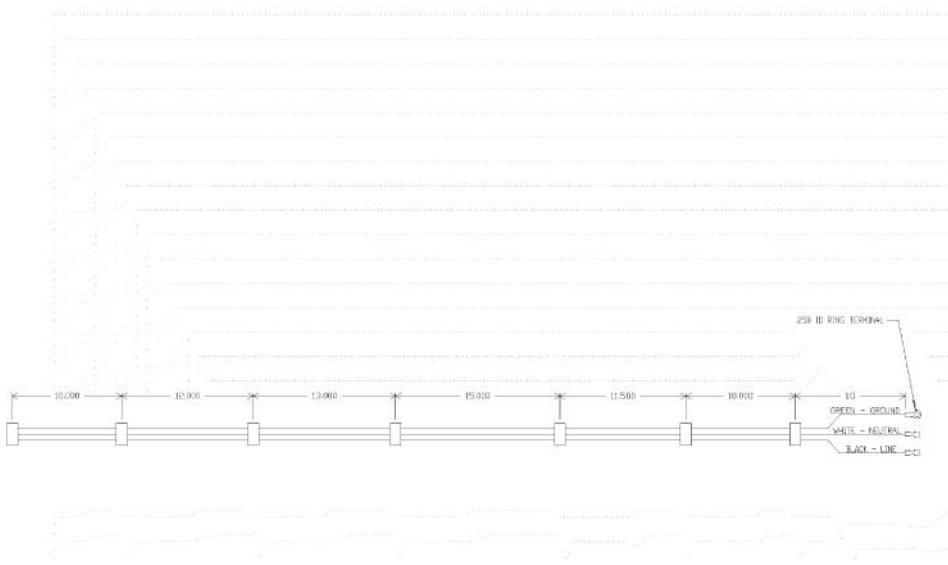


Ref #	Part Number	Qty.	Description
1	000649-000	1	IRIS IGNITOR WIRE, GRILL



Ref #	Part Number	Qty.	Description
1	000837-000	1	VGRT SUPPLY CORD JUMPER (BEFORE 10/4/11)
NI	027347-000	1	SUPPLY CORD JUMPER (ON OR AFTER 10/4/11)

1



Ref #	Part Number	Qty.	Description
1	PE070891	1	IRIS HARNESS - 48